



US00D724169S

(12) **United States Design Patent**
Emde et al.

(10) **Patent No.:** **US D724,169 S**
(45) **Date of Patent:** **** Mar. 10, 2015**

(54) **LONG FIREARM**

(71) Applicants: **Dietmar Emde**, Arnsberg (DE);
Michael Swoboda, Möhnesees (DE)

(72) Inventors: **Dietmar Emde**, Arnsberg (DE);
Michael Swoboda, Möhnesees (DE)

(73) Assignee: **German Sport Guns GmbH**,
Ense-Höingen

(**) Term: **14 Years**

(21) Appl. No.: **29/475,517**

(22) Filed: **Dec. 4, 2013**

(30) **Foreign Application Priority Data**

Jul. 12, 2013 (EM) 002273672-0001

(51) **LOC (10) Cl.** **22-01**

(52) **U.S. Cl.**
USPC **D22/103**

(58) **Field of Classification Search**
CPC F41C 7/00; F41C 7/11; F41C 7/12
USPC D22/103, 108; D21/572-575; 42/51,
42/71.01, 75.01, 75.02, 90, 94, 134, 136,
42/139, 125, 72, 111; 89/40.06, 41.19,
89/37.04, 33.04, 191.01, 200-204;
124/67, 66, 72, 74
See application file for complete search history.

(56) **References Cited**

U.S. PATENT DOCUMENTS

7,797,873 B2 * 9/2010 Gering et al. 42/105
D641,824 S * 7/2011 Gridelet D22/103

D641,825 S * 7/2011 Gridelet D22/103
D667,072 S * 9/2012 Kriegleder D22/103
D671,183 S * 11/2012 Lucansky D22/103
D680,611 S * 4/2013 Emde et al. D22/103
D689,160 S * 9/2013 Emde D22/108
D702,793 S * 4/2014 Burt et al. D22/103
D719,234 S * 12/2014 Hochstrate D22/103
2008/0236017 A1 * 10/2008 Fitzpatrick et al. 42/73
2010/0186582 A1 * 7/2010 Juarez 89/191.01
2011/0079137 A1 * 4/2011 Audibert et al. 89/136

* cited by examiner

Primary Examiner — Michael A Pratt

(74) *Attorney, Agent, or Firm* — Michael Soderman

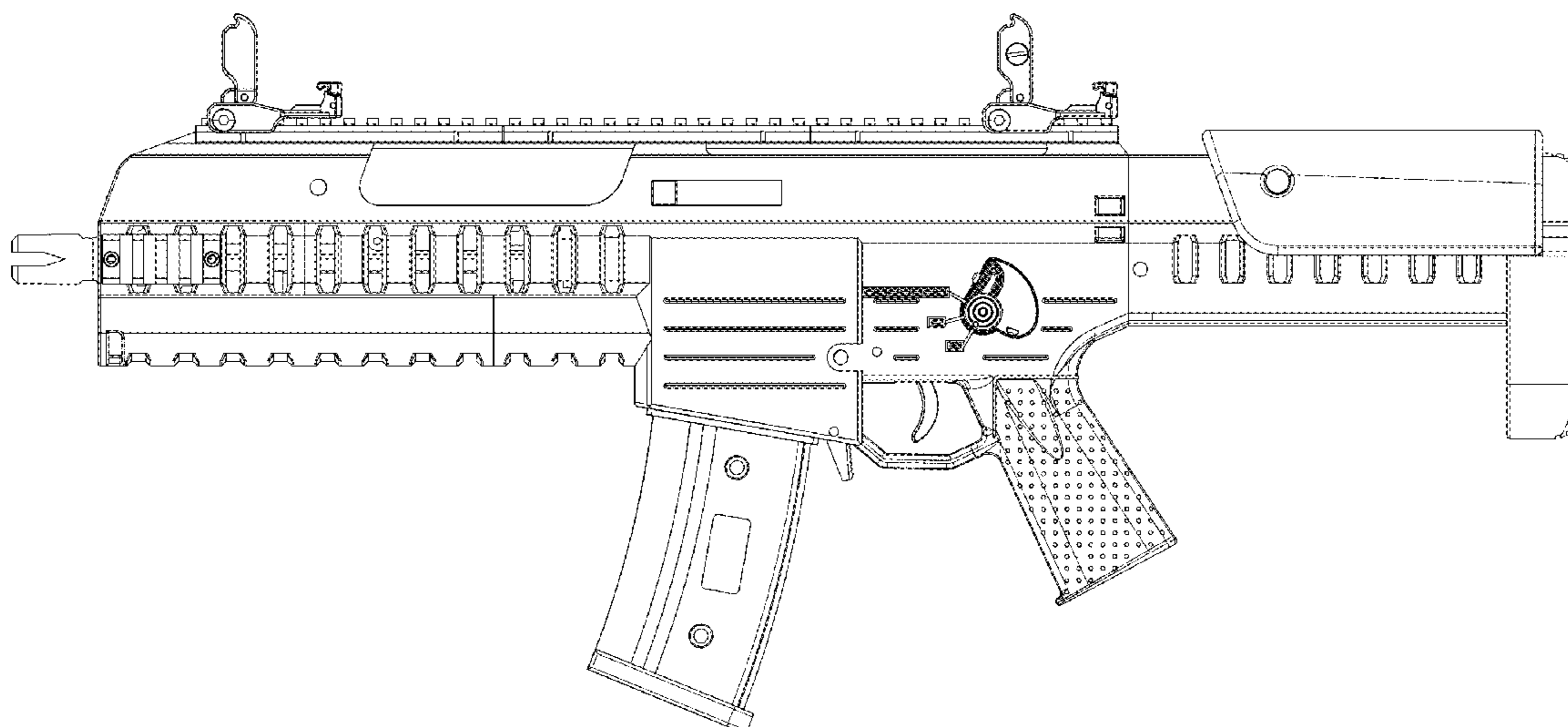
(57) **CLAIM**

The ornamental design for a long firearm, as shown.

DESCRIPTION

FIG. 1 is a side view (left-hand side) of the long firearm showing the new design;
FIG. 2 is a side view (right-hand side) thereof;
FIG. 3 is a rear view thereof;
FIG. 4 is a view thereof in perspective at an angle from the rear, top and left-hand sides
FIG. 5 is a view thereof in perspective at an angle from the top and right-hand sides
FIG. 6 is a view thereof in perspective at an angle from the rear and right-hand sides
FIG. 7 is a view thereof in perspective at an angle from the rear, bottom and left-hand sides
FIG. 8 is a top view thereof;
FIG. 9 is a bottom view thereof; and,
FIG. 10 is a front view thereof.

1 Claim, 10 Drawing Sheets



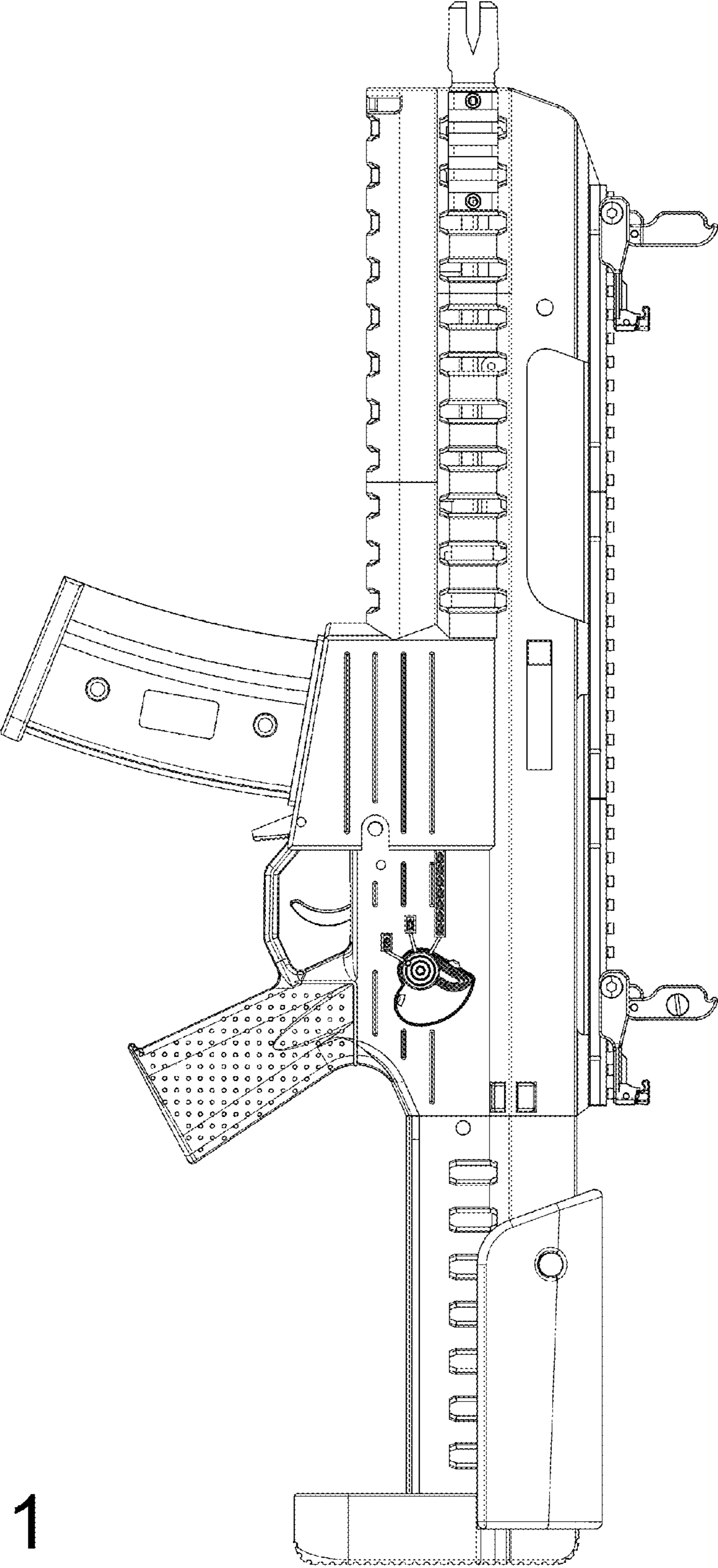


Fig. 1

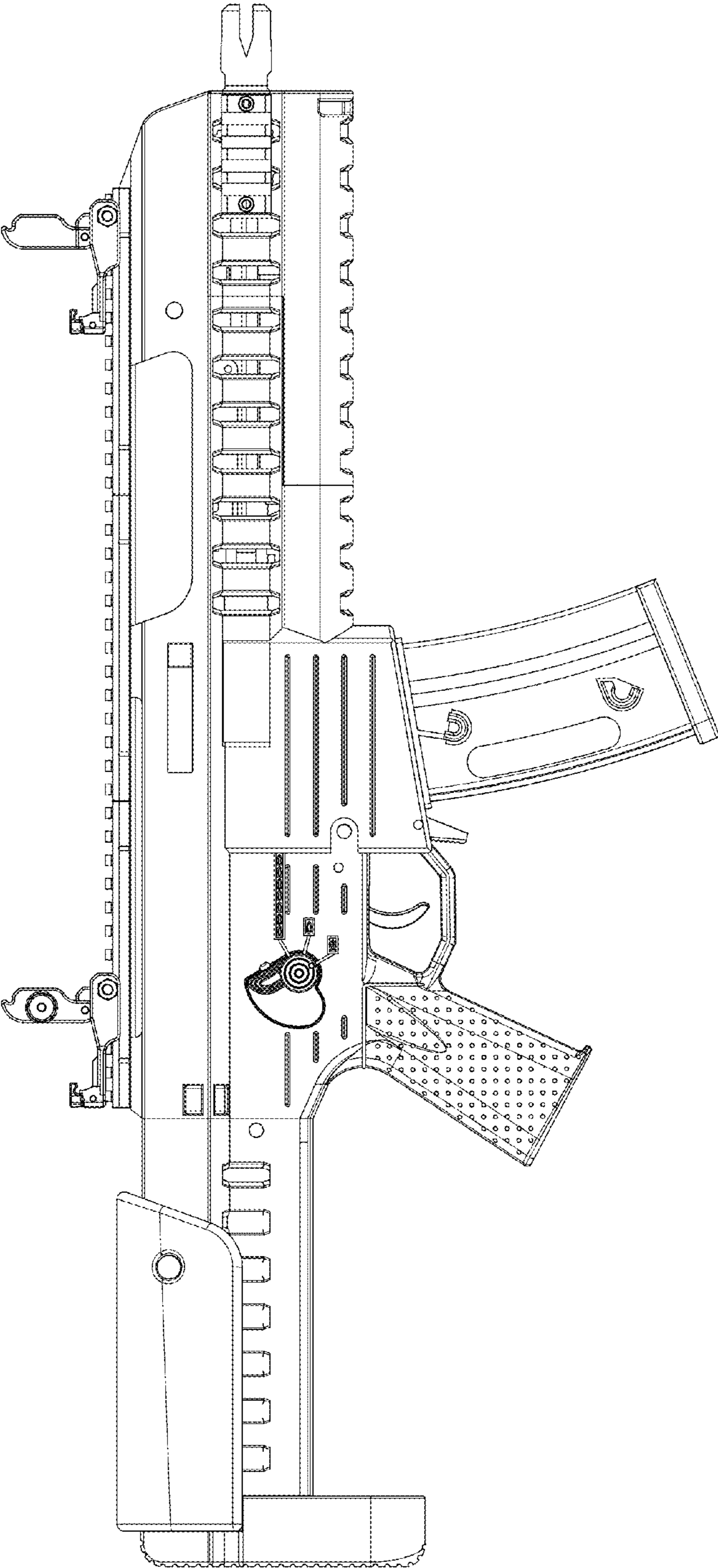


Fig. 2

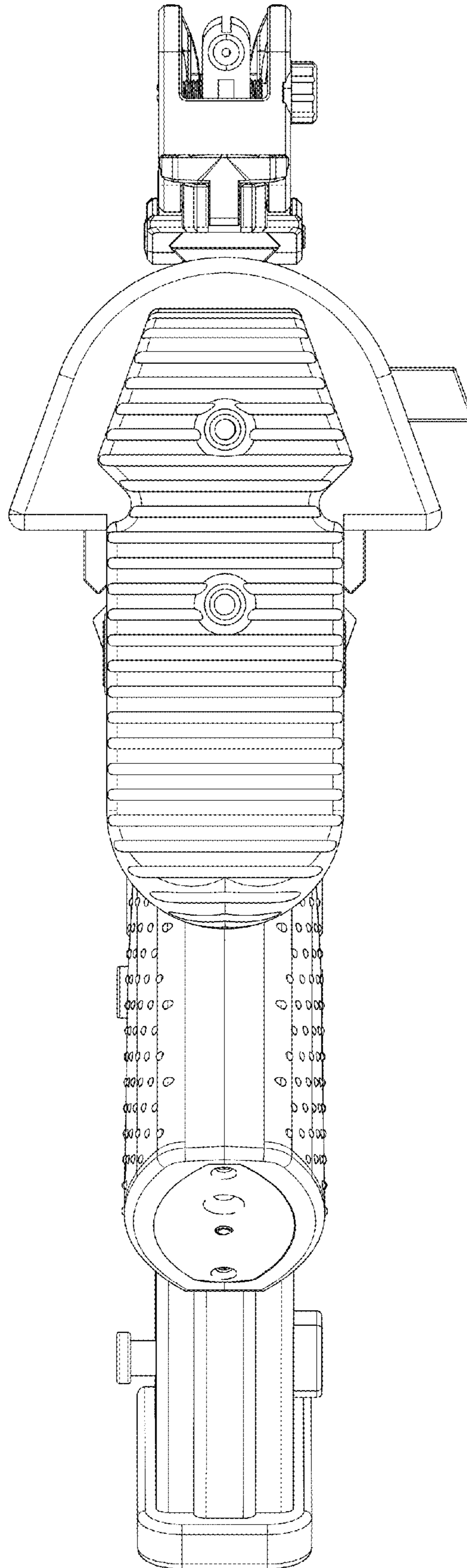


Fig. 3

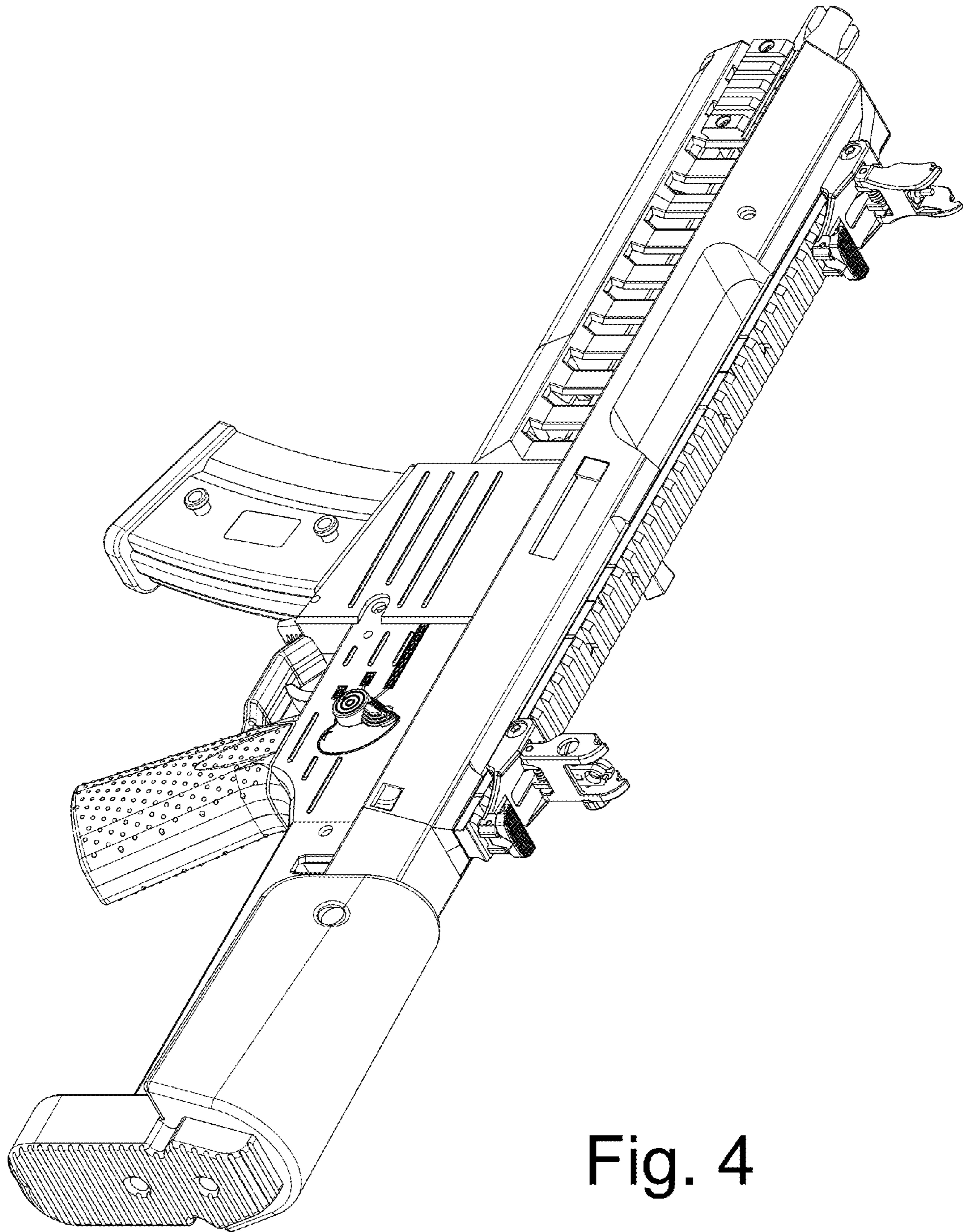


Fig. 4

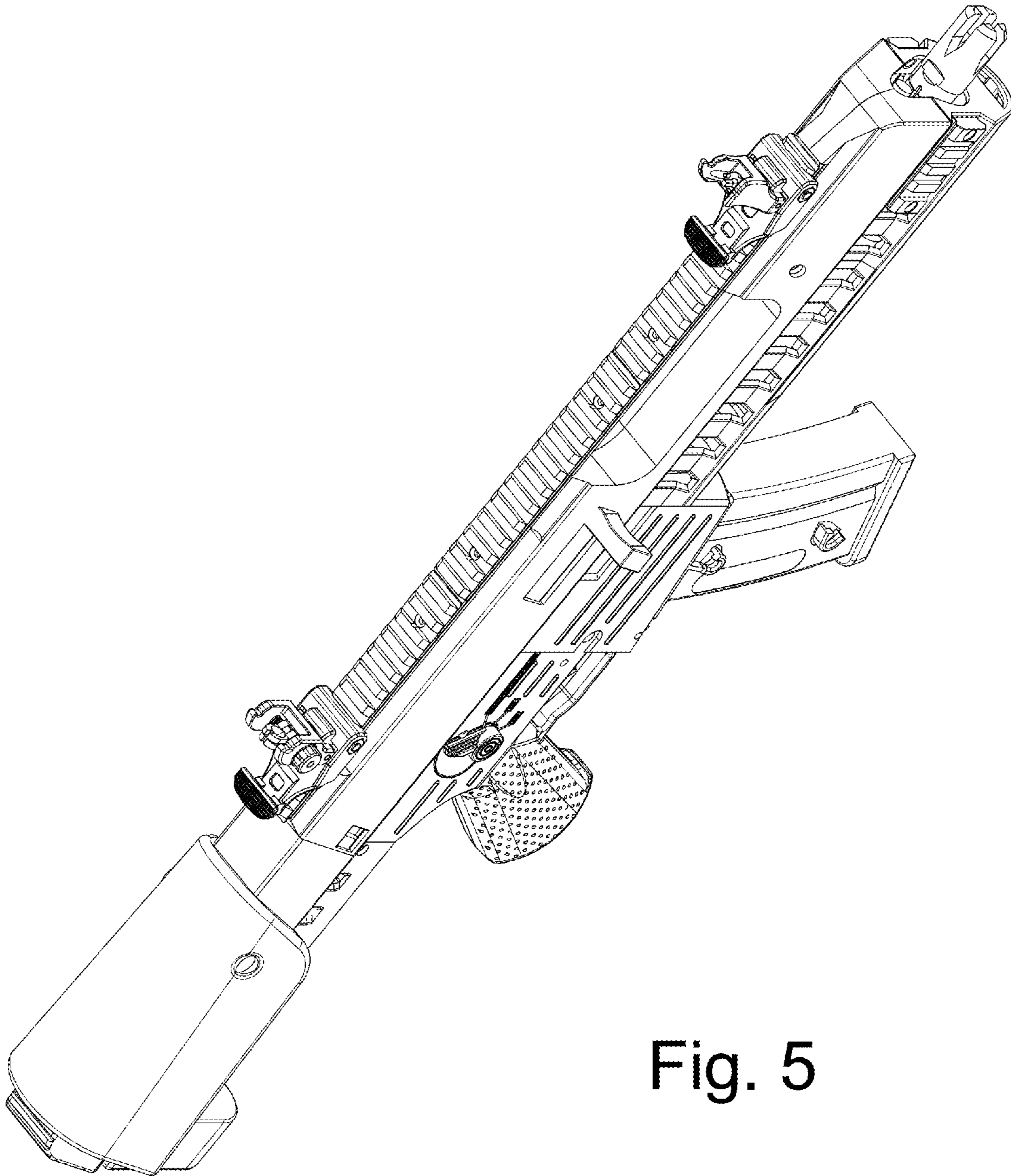


Fig. 5

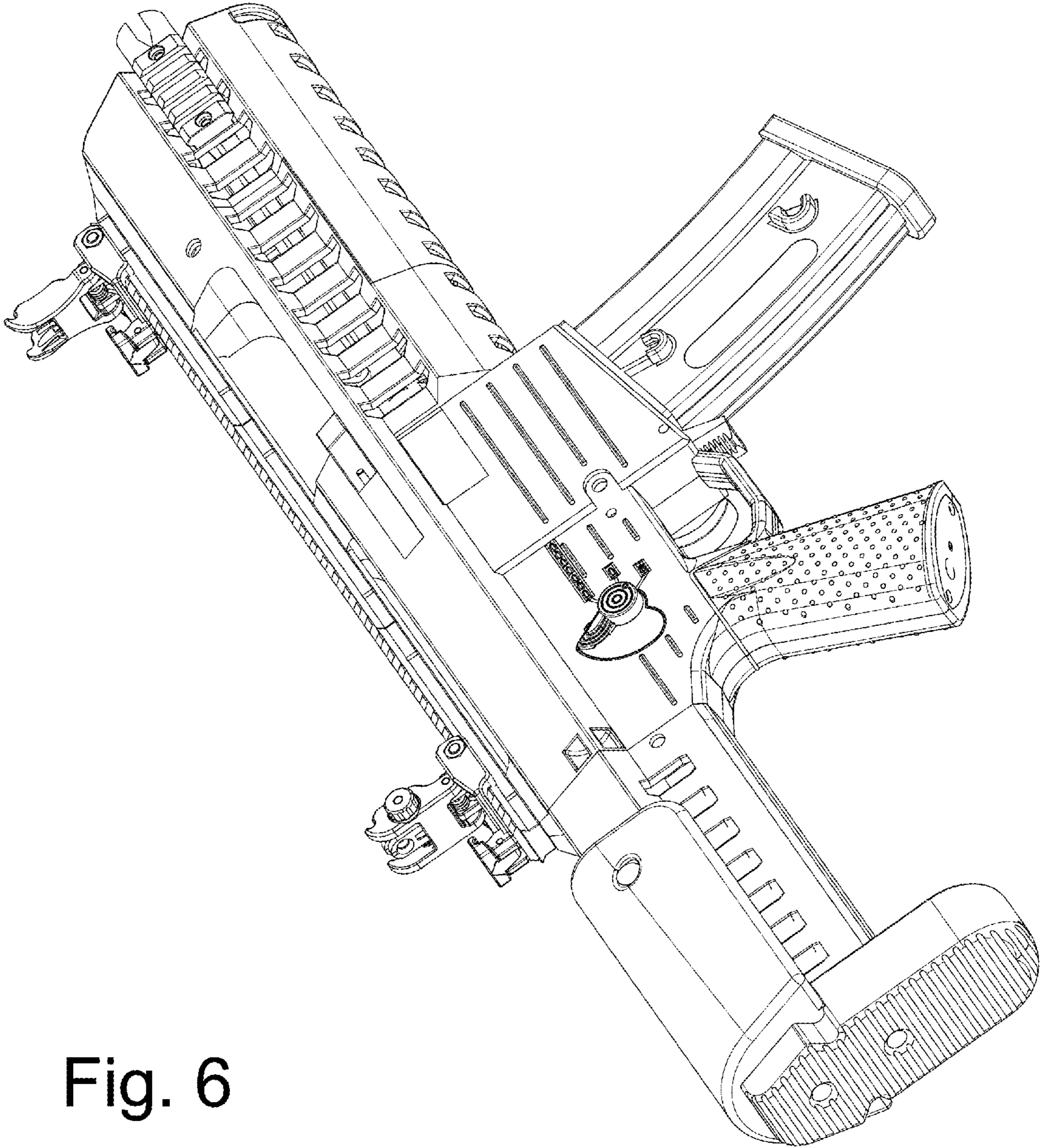


Fig. 6

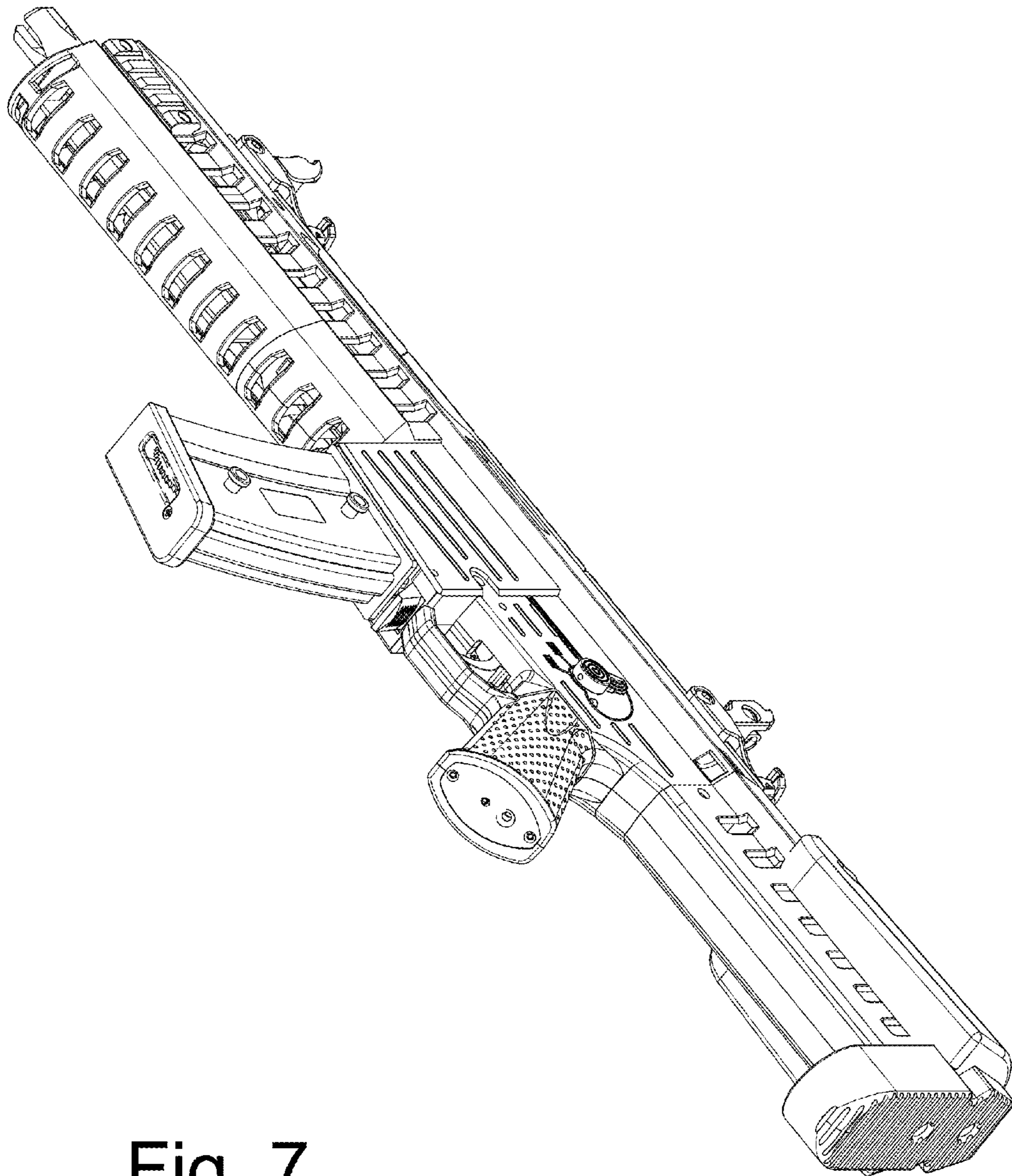


Fig. 7

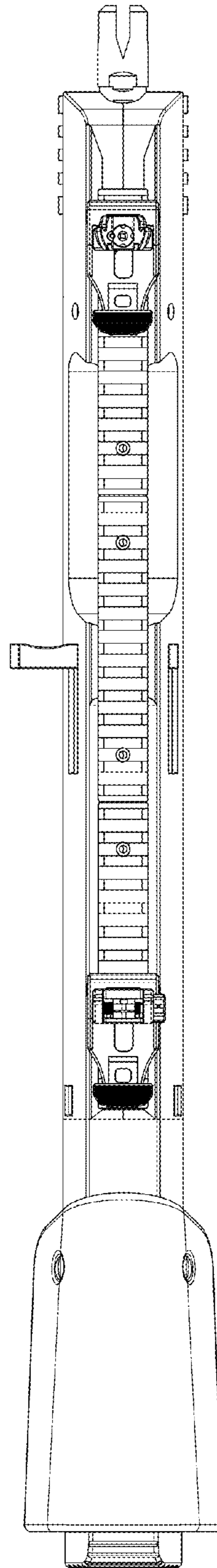


Fig. 8

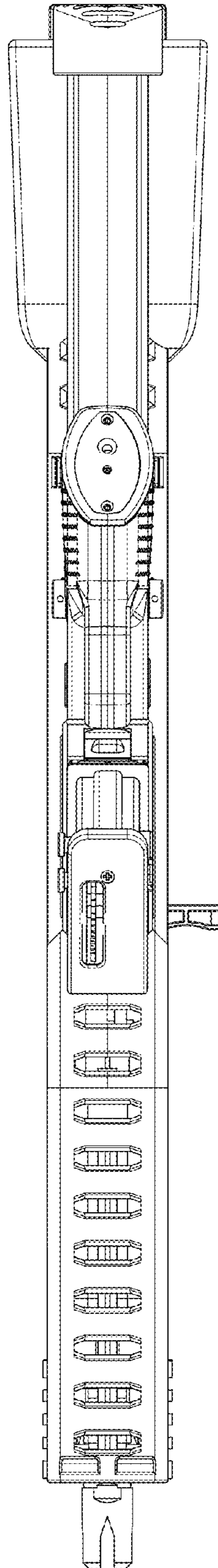


Fig. 9

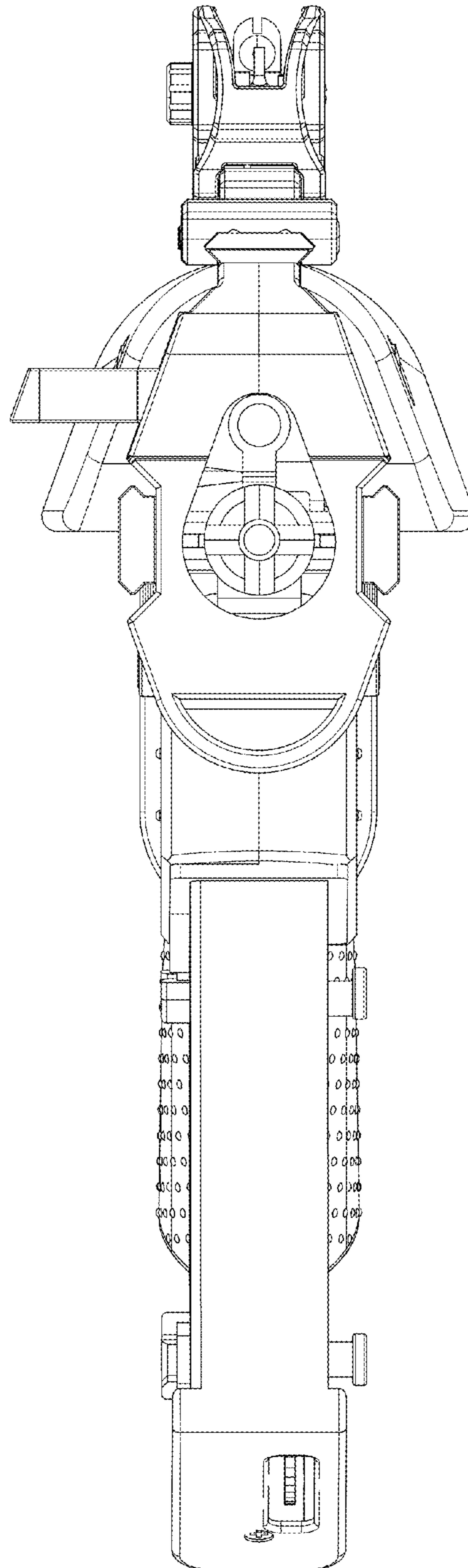


Fig. 10