



US00D724167S

(12) **United States Design Patent**
Barker et al.

(10) **Patent No.:** **US D724,167 S**
(45) **Date of Patent:** **** Mar. 10, 2015**

- (54) **DUAL SWING**
- (71) Applicants: **Dallas Barker**, Almont, MI (US); **Larry Bullock, Jr.**, Dryden, MI (US)
- (72) Inventors: **Dallas Barker**, Almont, MI (US); **Larry Bullock, Jr.**, Dryden, MI (US)
- (**) Term: **14 Years**
- (21) Appl. No.: **29/481,866**
- (22) Filed: **Feb. 11, 2014**
- (51) **LOC (10) Cl.** **21-03**
- (52) **U.S. Cl.**
USPC **D21/823**
- (58) **Field of Classification Search**
USPC D21/822-826; D6/333; 472/118-125
See application file for complete search history.

- D384,388 S * 9/1997 Eddy D21/823
- D411,279 S * 6/1999 Hoffman et al. D21/823
- D484,941 S * 1/2004 Johnson D21/823
- D517,636 S * 3/2006 Bolland et al. D21/823
- D529,981 S * 10/2006 Tseng D21/823

* cited by examiner

Primary Examiner — Mitchell Siegel

(74) *Attorney, Agent, or Firm* — Dale J. Ream

(57) **CLAIM**

The ornamental design for a dual swing, as shown and described.

DESCRIPTION

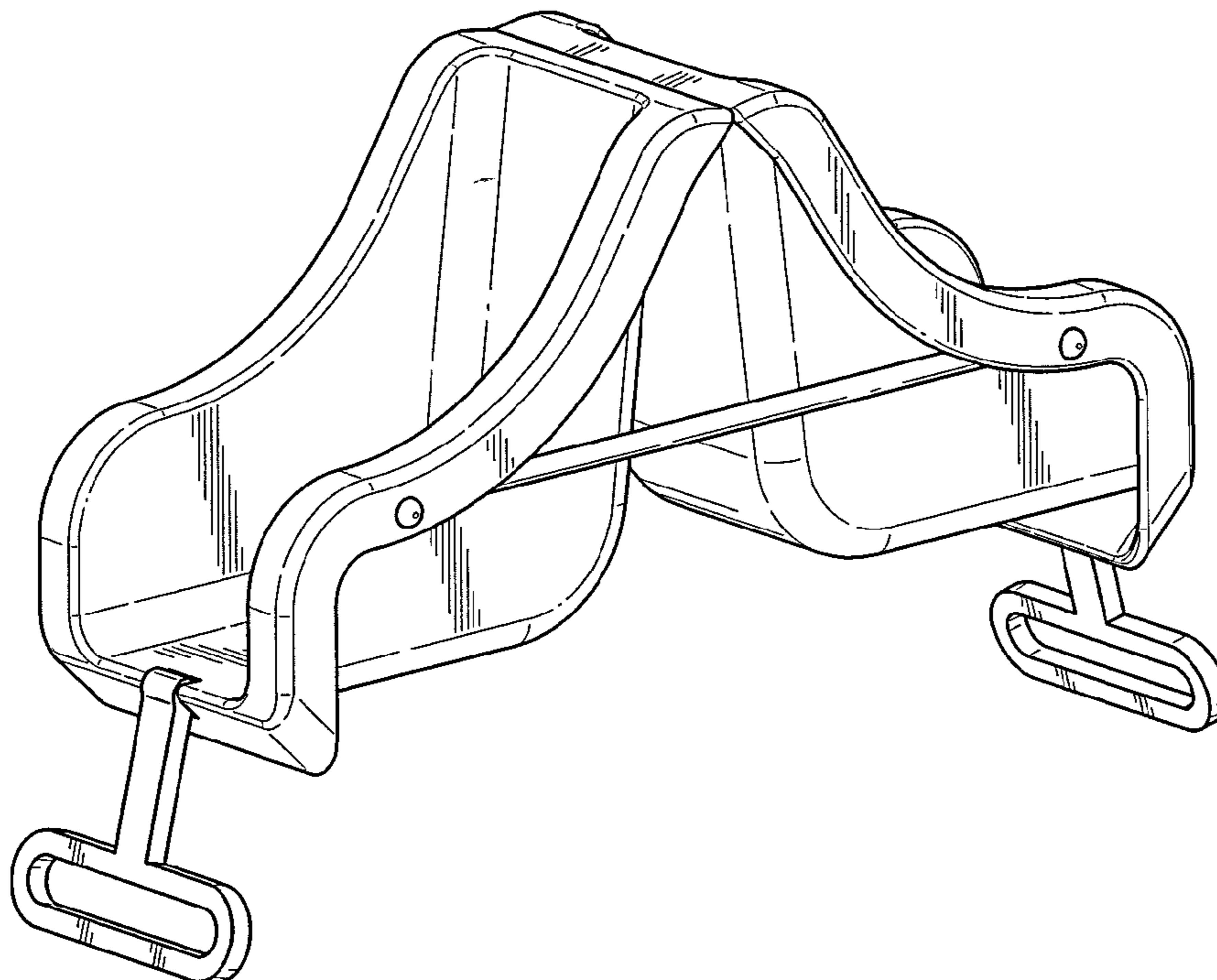
FIG. 1 is a perspective view of a dual swing showing our new design in use with a playset;
 FIG. 2 is a perspective view of a dual swing showing our new design;
 FIG. 3 is a front view, the back view being a mirror image thereof;
 FIG. 4 is a top view thereof;
 FIG. 5 is a bottom view thereof; and,
 FIG. 6 is a left side, the right side view being a mirror image thereof.
 In the drawings, the broken lines showing a playset illustrate environment and form no part of the claimed design.

(56) **References Cited**

U.S. PATENT DOCUMENTS

- 1,529,467 A * 3/1925 Davis et al. 472/120
- D168,439 S * 12/1952 Dichesare D21/825
- D186,235 S * 9/1959 Horowitz D21/823
- D241,561 S * 9/1976 Tomalinas, Jr. D21/825
- D293,046 S * 12/1987 Riehm D6/347
- D315,775 S * 3/1991 Jones D21/823
- D323,432 S * 1/1992 Morton D6/333

1 Claim, 5 Drawing Sheets



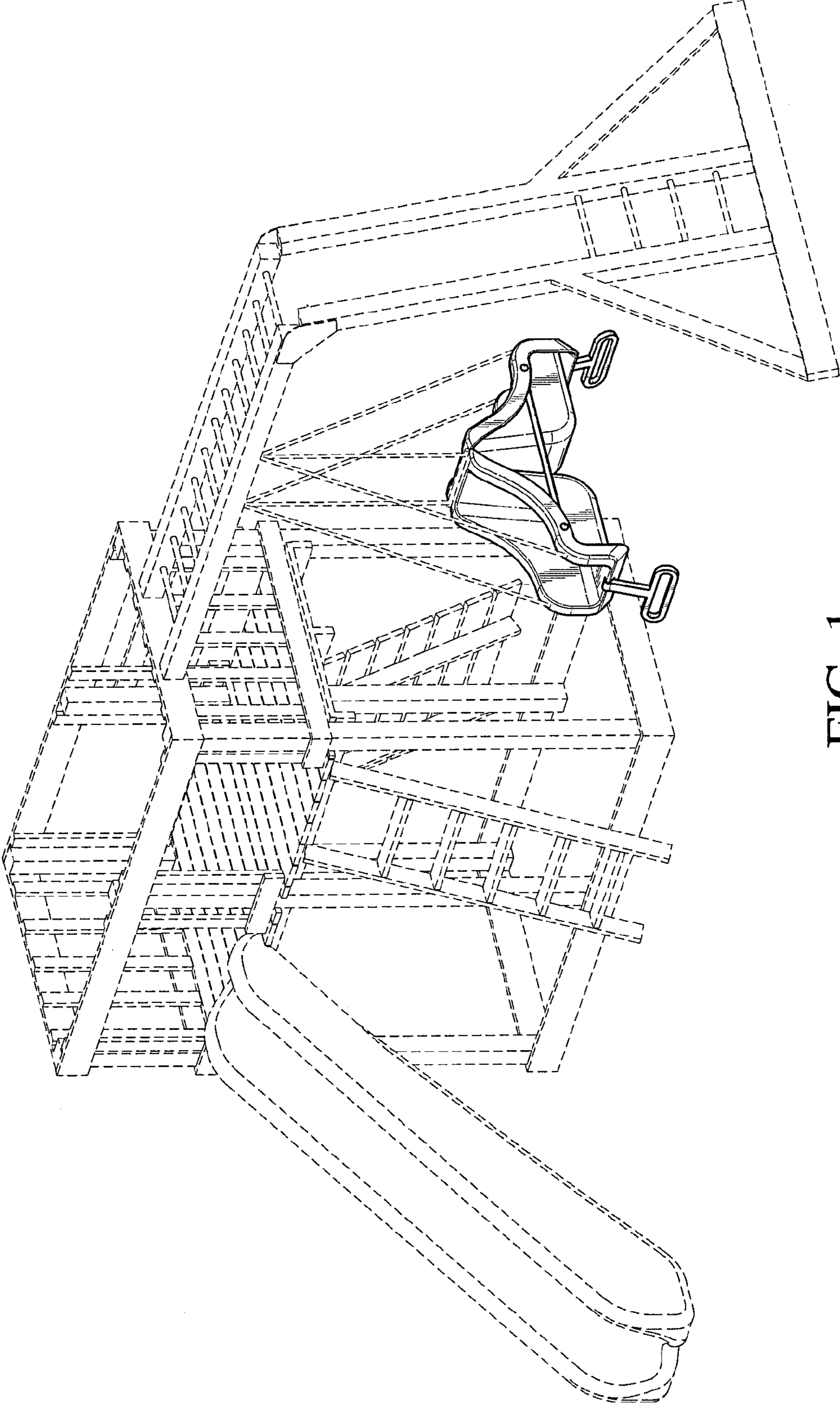


FIG. 1

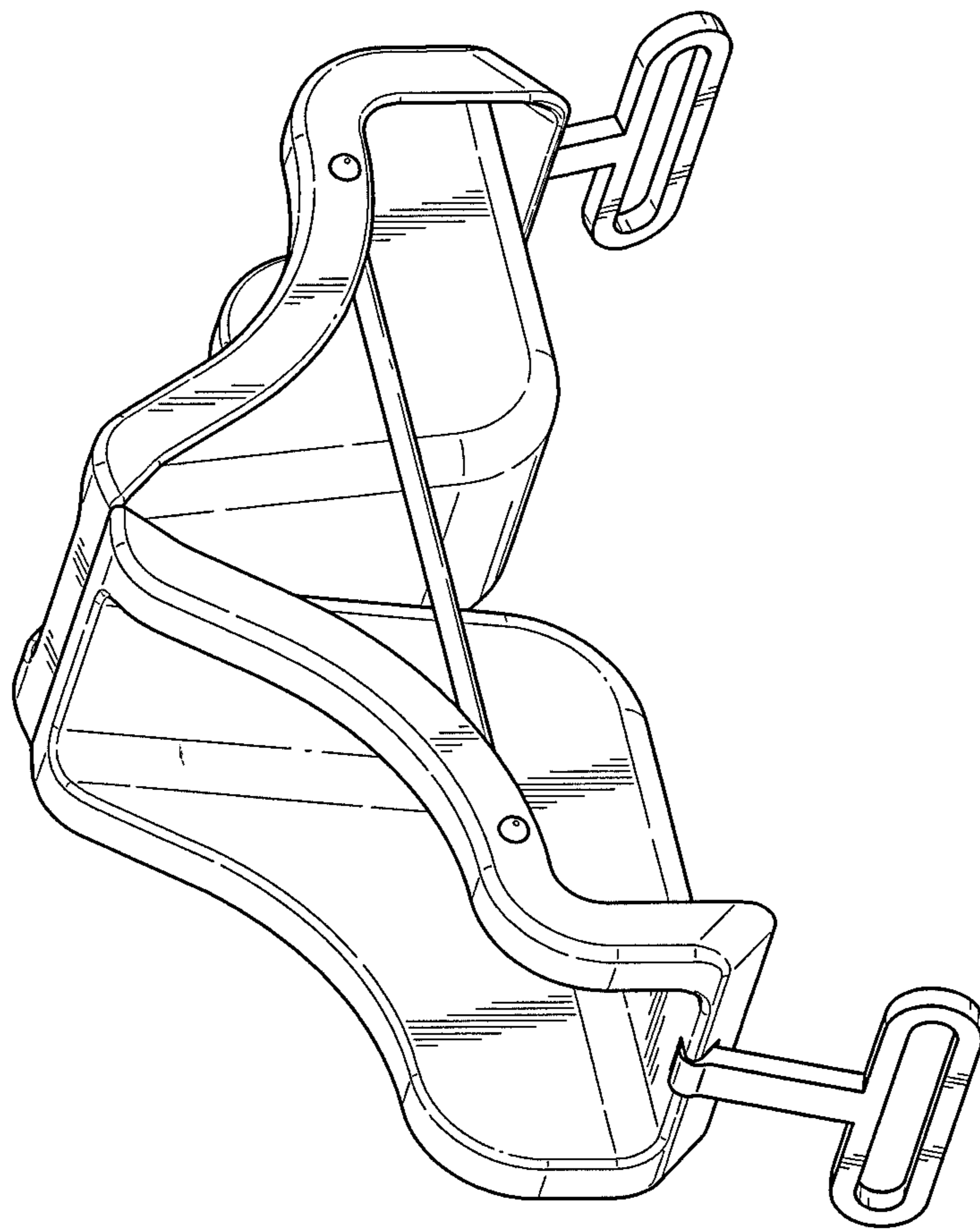


FIG. 2

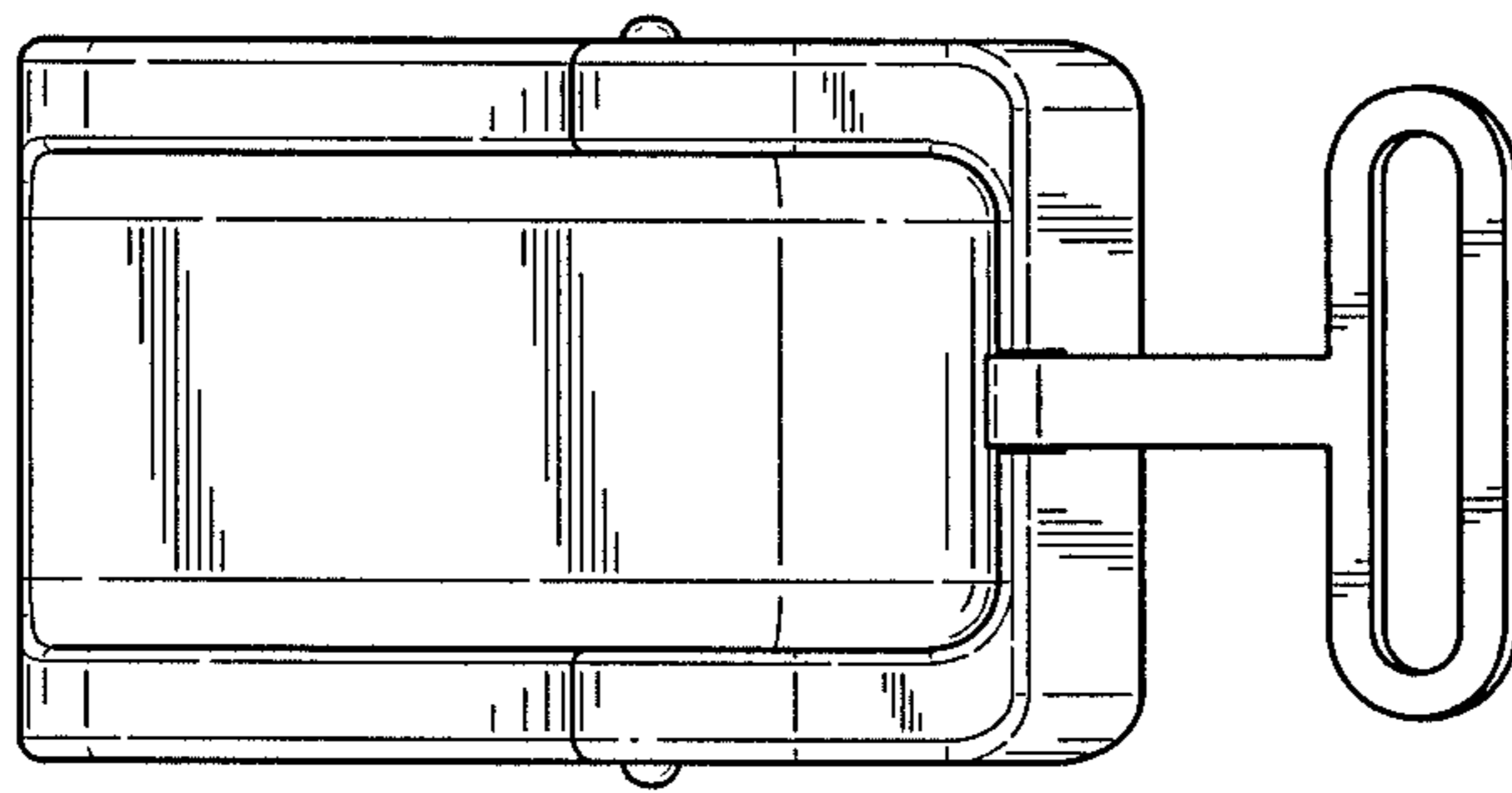


FIG. 3

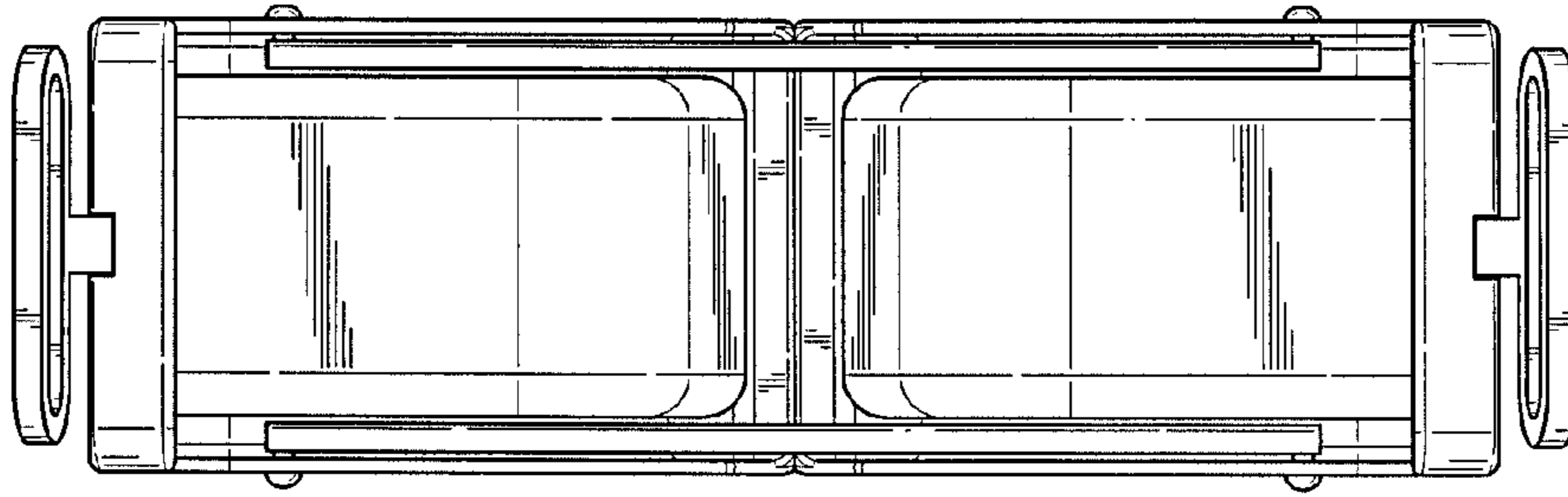


FIG. 5

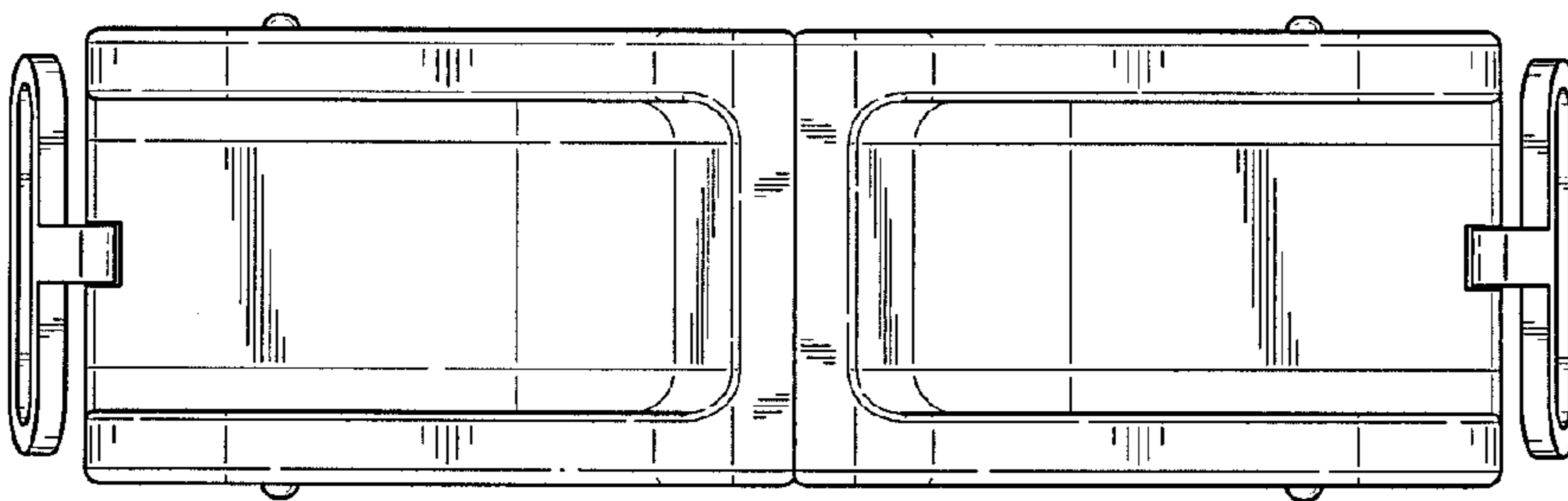


FIG. 4

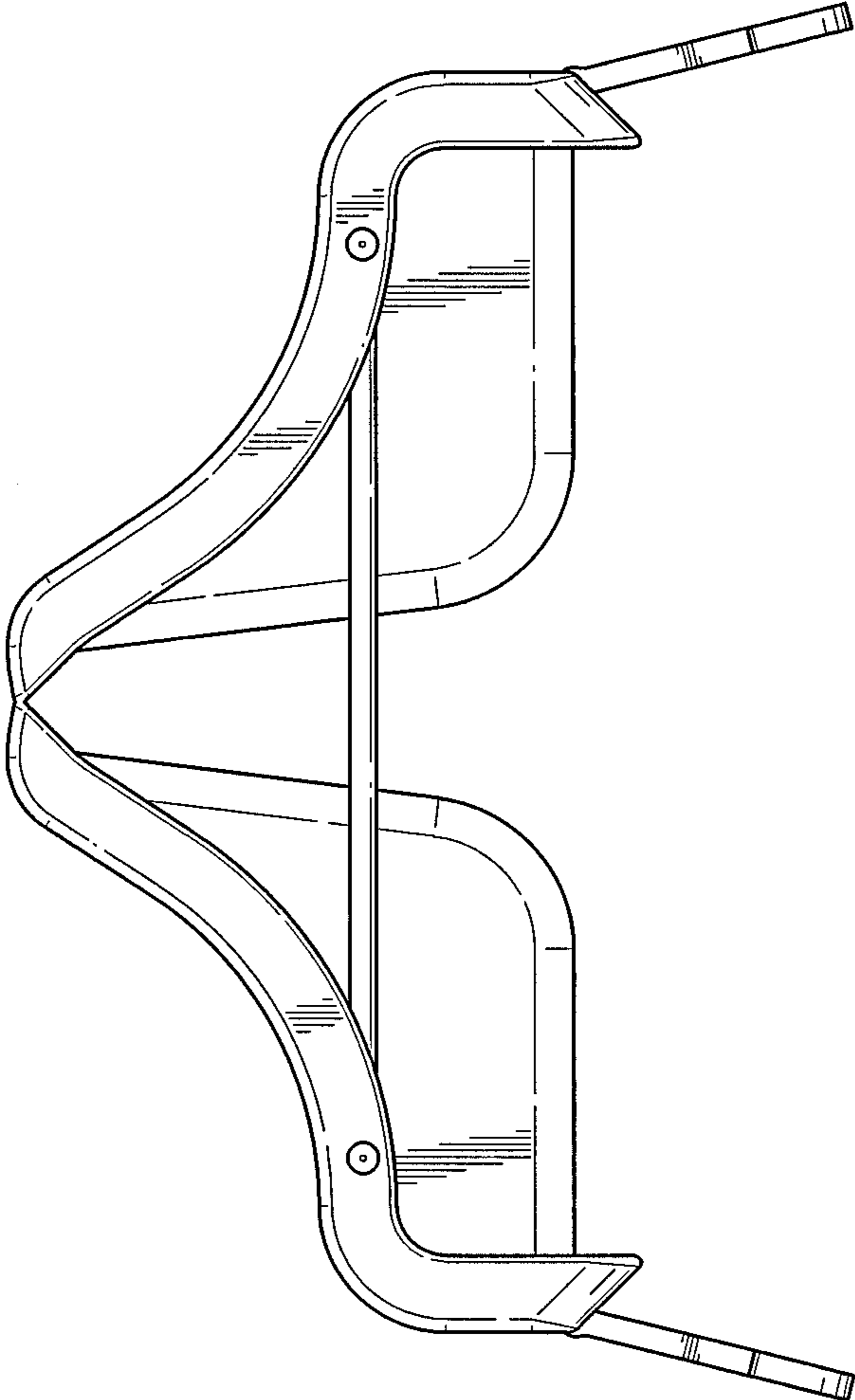


FIG. 6