



US00D724166S

(12) **United States Design Patent**
Hamborg et al.

(10) **Patent No.:** **US D724,166 S**
(45) **Date of Patent:** **** Mar. 10, 2015**

(54) **SKATEBOARD**

- (71) Applicant: **Hamboards Holdings, LLC**, Ocean View, DE (US)
- (72) Inventors: **Peter Mark Hamborg**, Huntington Beach, CA (US); **Peter Gustaf Hamborg**, Huntington Beach, CA (US)
- (73) Assignee: **Hamboards Holding, LLC**, Ocean View, DE (US)
- (**) Term: **14 Years**
- (21) Appl. No.: **29/492,187**
- (22) Filed: **May 29, 2014**
- (51) **LOC (10) Cl.** **21-02**
- (52) **U.S. Cl.**
USPC **D21/765**
- (58) **Field of Classification Search**
CPC A63C 17/01; A63C 17/011; A63C 17/012;
A63C 17/014; A63C 17/015; A63C 17/02;
A63C 17/26; A63C 5/003; A63B 69/0022;
B60Q 1/326; B62K 3/001
USPC D21/419, 421, 423, 426, 760, 765, 766,
D21/769, 771, 776, 803; 280/7.14, 11.115,
280/11.19, 11.27, 11.28, 14.21, 87.01,
280/87.021, 87.03, 87.041, 87.042, 607,
280/608, 609, 809; 180/180, 181; 434/247,
434/253, 258
See application file for complete search history.

(56) **References Cited**

U.S. PATENT DOCUMENTS

D243,206	S	*	1/1977	Sherwood	D21/765
4,185,847	A	*	1/1980	Johnson	280/87.042
D422,661	S	*	4/2000	Edwards et al.	D21/765
7,070,193	B2	*	7/2006	Yamaguchi	280/87.042
D556,283	S	*	11/2007	Hamborg et al.	D21/765
D608,851	S	*	1/2010	Hillman	D21/765
D692,080	S	*	10/2013	Hamborg et al.	D21/765
2006/0049594	A1	*	3/2006	Yamaguchi	280/87.042
2011/0221150	A1	*	9/2011	Harris	280/87.042

* cited by examiner

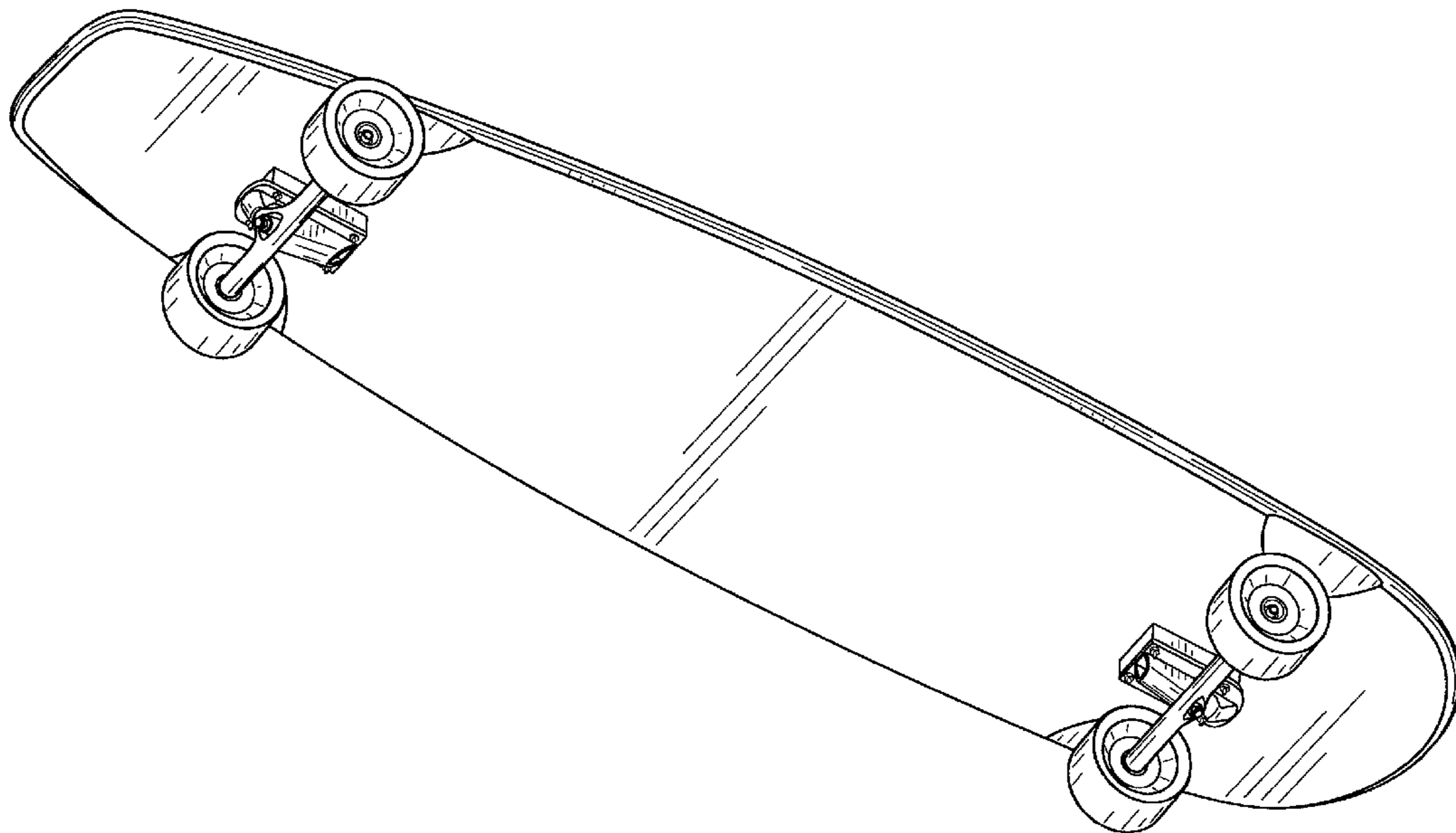
Primary Examiner — Cynthia M Chin
(74) *Attorney, Agent, or Firm* — McCarter & English

(57) **CLAIM**
We claim the ornamental design for a skateboard, as shown and described.

DESCRIPTION

FIG. 1 is a perspective view of the present invention showing a bottom thereof;
FIG. 2 is a front view thereof;
FIG. 3 is a rear view thereof;
FIG. 4 is a side view thereof, the opposite side being a mirror image thereof;
FIG. 5 is a top view thereof; and,
FIG. 6 is a bottom view thereof.

1 Claim, 3 Drawing Sheets



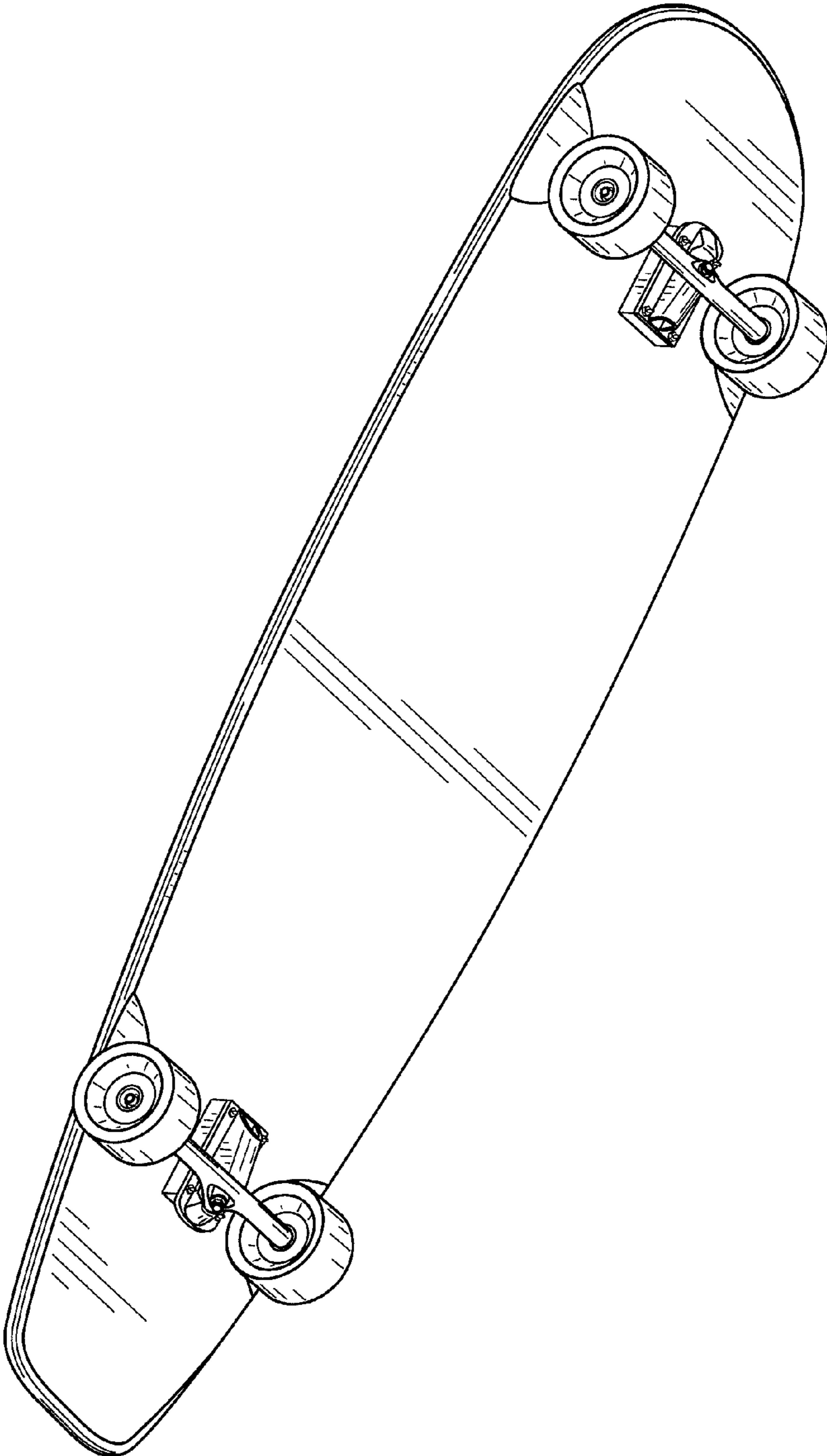


FIG. 1

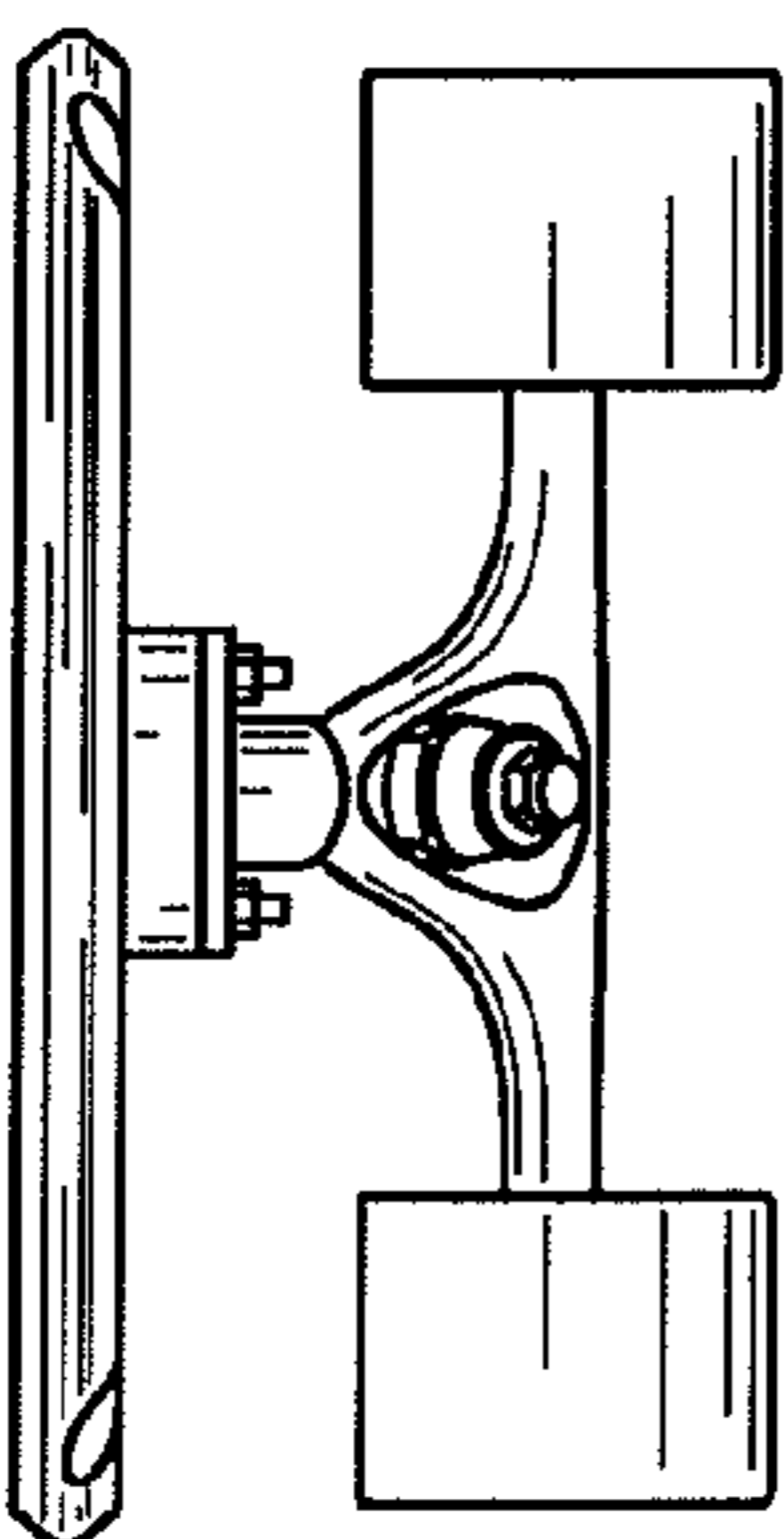


FIG. 2

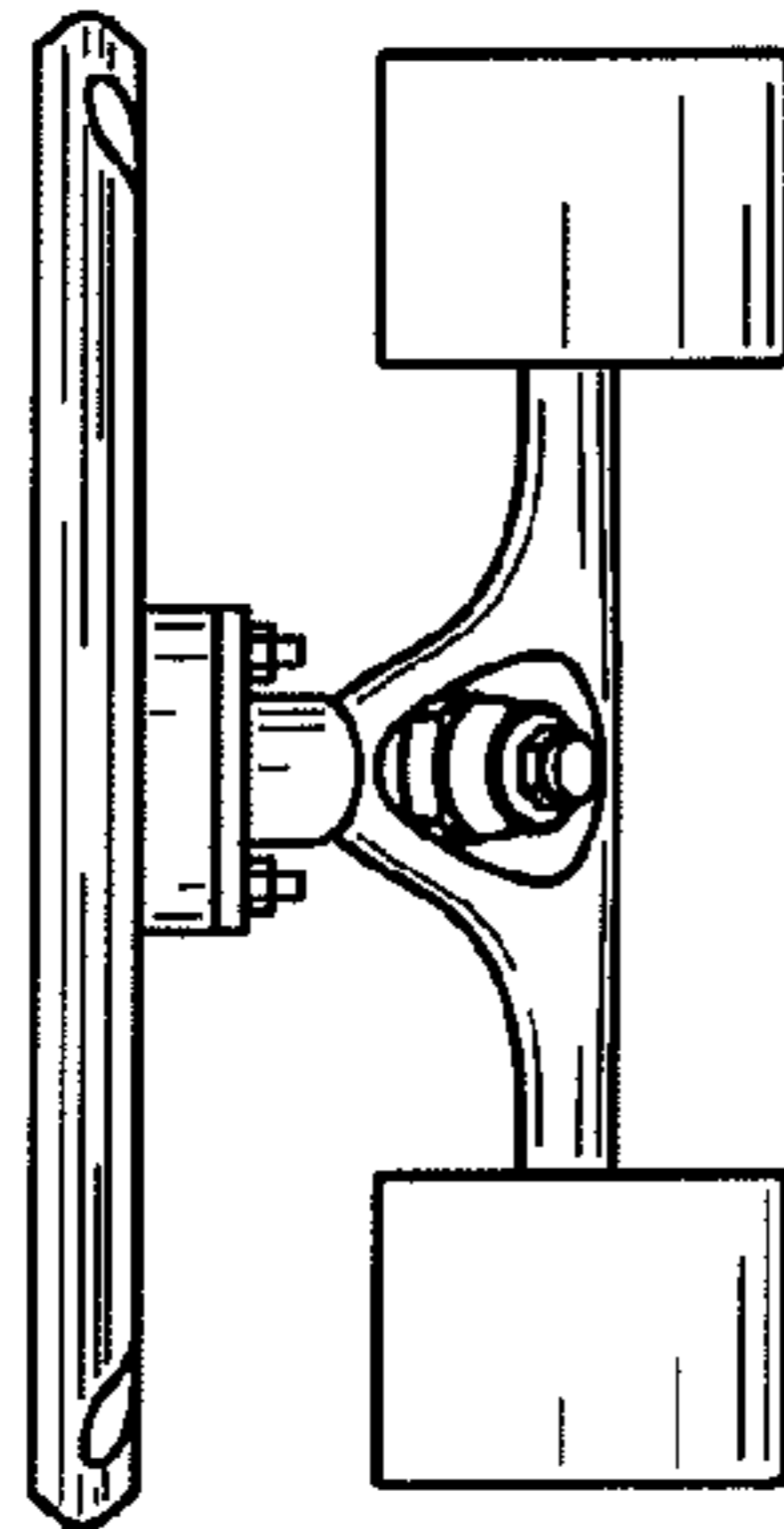


FIG. 3

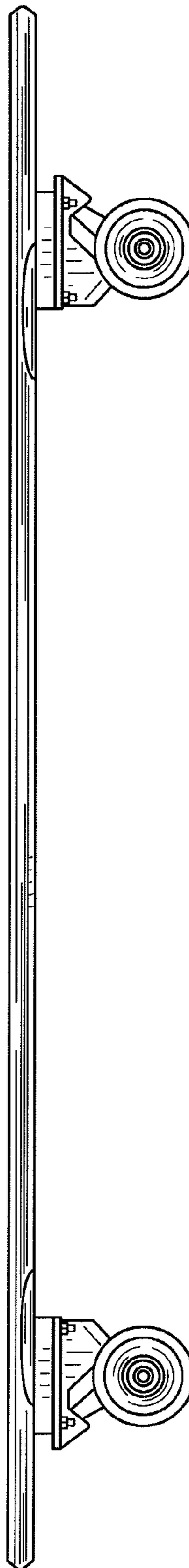


FIG. 4

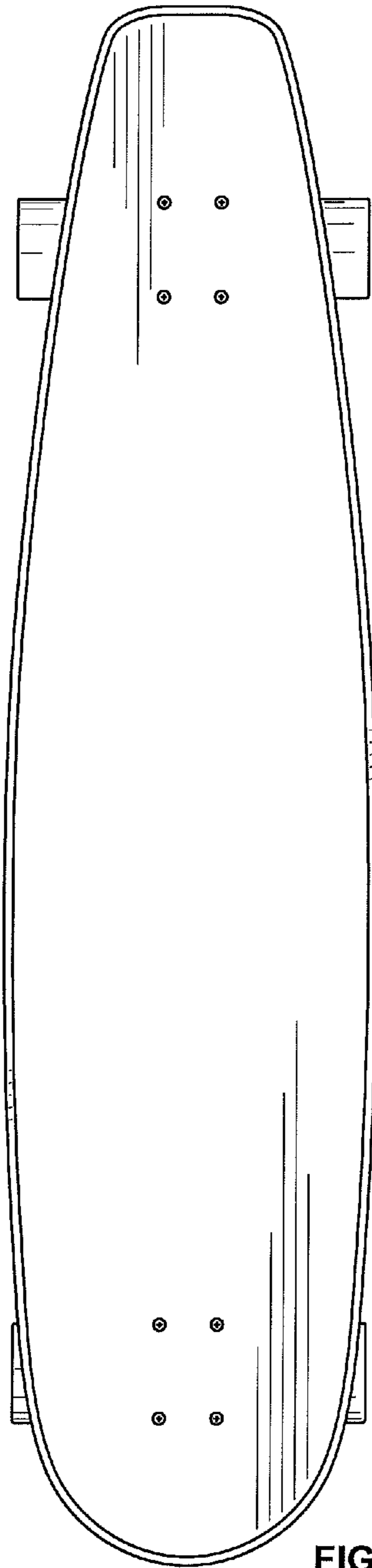


FIG. 5

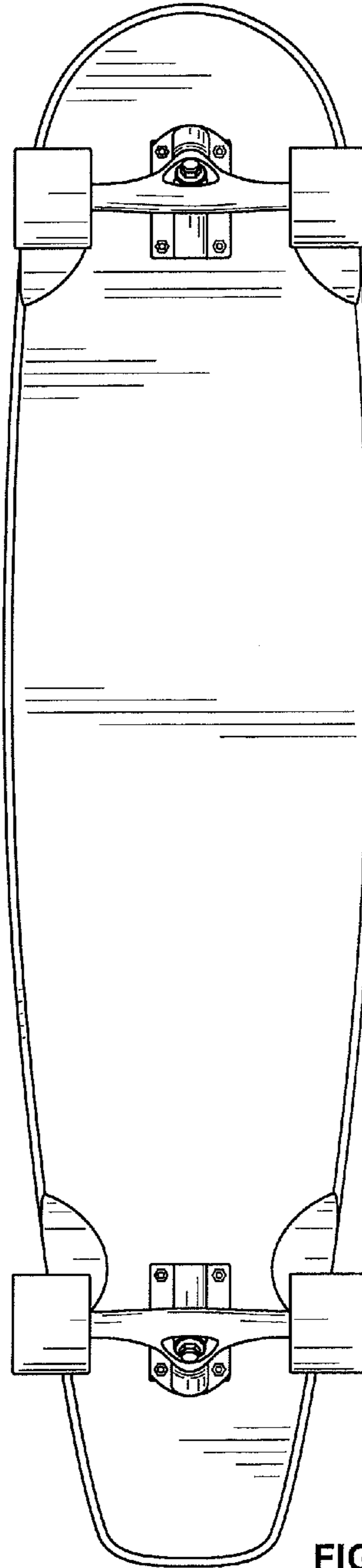


FIG. 6