



US00D724163S

(12) **United States Design Patent**
Kelley

(10) **Patent No.:** **US D724,163 S**
(45) **Date of Patent:** **** Mar. 10, 2015**

(54) **EXERCISE APPARATUS**

(71) Applicant: **Jon Kelley**, Sherman Oaks, CA (US)

(72) Inventor: **Jon Kelley**, Sherman Oaks, CA (US)

(**) Term: **14 Years**

(21) Appl. No.: **29/472,038**

(22) Filed: **Nov. 7, 2013**

(51) **LOC (10) Cl.** **24-01**

(52) **U.S. Cl.**
USPC **D21/694**

(58) **Field of Classification Search**
USPC D21/492, 503, 662, 665, 676, 679, 694,
D21/822, 823; 482/91, 92, 93, 95, 96, 109,
482/121-127, 129, 130, 144, 147, 148;
D24/190

See application file for complete search history.

(56) **References Cited**

U.S. PATENT DOCUMENTS

2,397,054	A *	3/1946	Segalla	482/125
3,462,142	A *	8/1969	Sterndale	482/120
3,785,644	A *	1/1974	Bradley et al.	482/127
D343,671	S *	1/1994	Smith	D21/823
D346,632	S *	5/1994	Castellanos	D21/692
5,496,248	A *	3/1996	Batscher	482/146
5,674,163	A *	10/1997	Sennett	482/125
6,017,297	A *	1/2000	Collins	482/146
D520,591	S *	5/2006	Popp	D21/823
7,094,183	B2 *	8/2006	Hsieh	482/51

D572,776	S *	7/2008	Wells	D21/692
2005/0282691	A1 *	12/2005	Hakooz	482/148
2014/0309091	A1 *	10/2014	Tang et al.	482/130

* cited by examiner

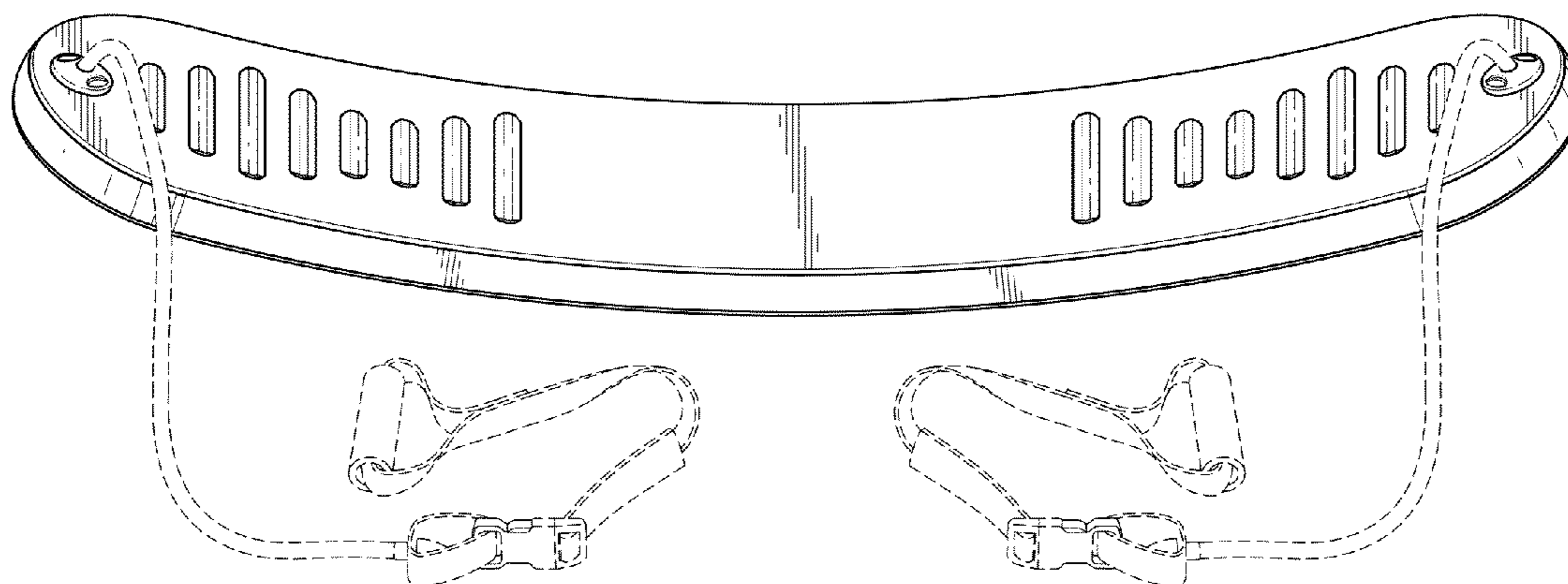
Primary Examiner — Philip S Hyder
Assistant Examiner — Keith Frank
(74) *Attorney, Agent, or Firm* — Omni Legal Group; Omid E. Khalifeh

(57) **CLAIM**
The ornamental design for an exercise apparatus, as shown and described.

DESCRIPTION

FIG. 1 is a perspective view of an exercise apparatus according to the present invention;
FIG. 2 is a second perspective view of an exercise apparatus according to the present invention;
FIG. 3 is a top view of an exercise apparatus according to the present invention;
FIG. 4 is a bottom view of an exercise apparatus according to the present invention;
FIG. 5 is a first profile view of an exercise apparatus according to the present invention;
FIG. 6 is a second profile view of a an exercise apparatus according to the present invention;
FIG. 7 is a side view of an exercise apparatus according to the present invention; and,
FIG. 8 is a second side view of an exercise apparatus according to the present invention.
The broken line portions of the exercise apparatus are included for the purpose of illustrating environment and form no part of the claimed design.

1 Claim, 4 Drawing Sheets



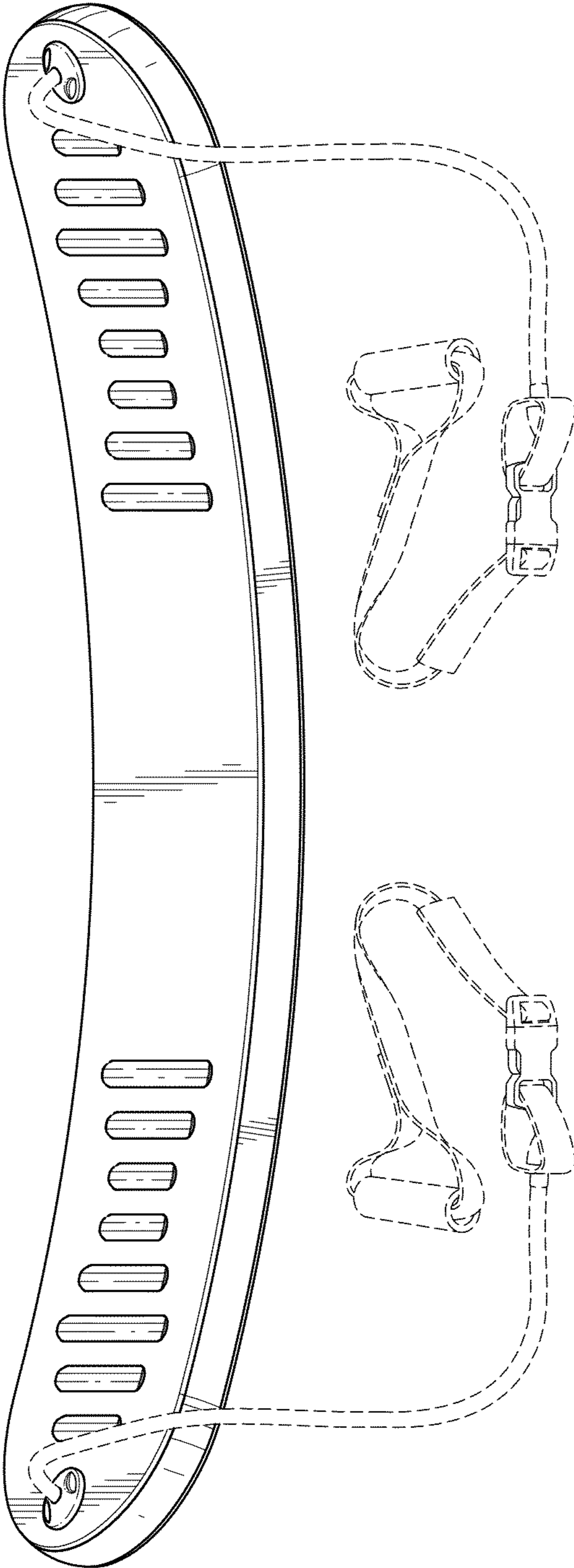


FIG. 1

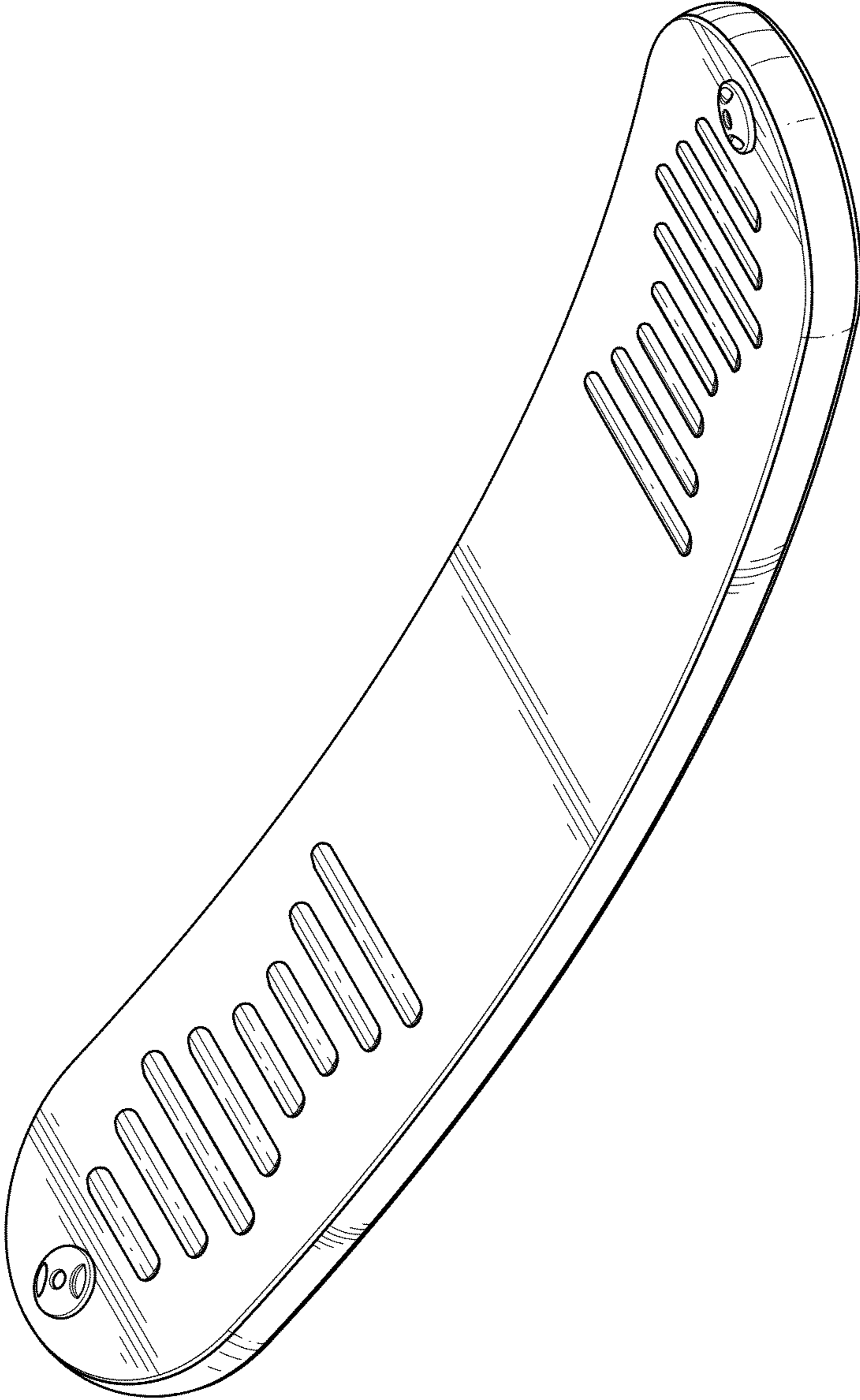


FIG. 2

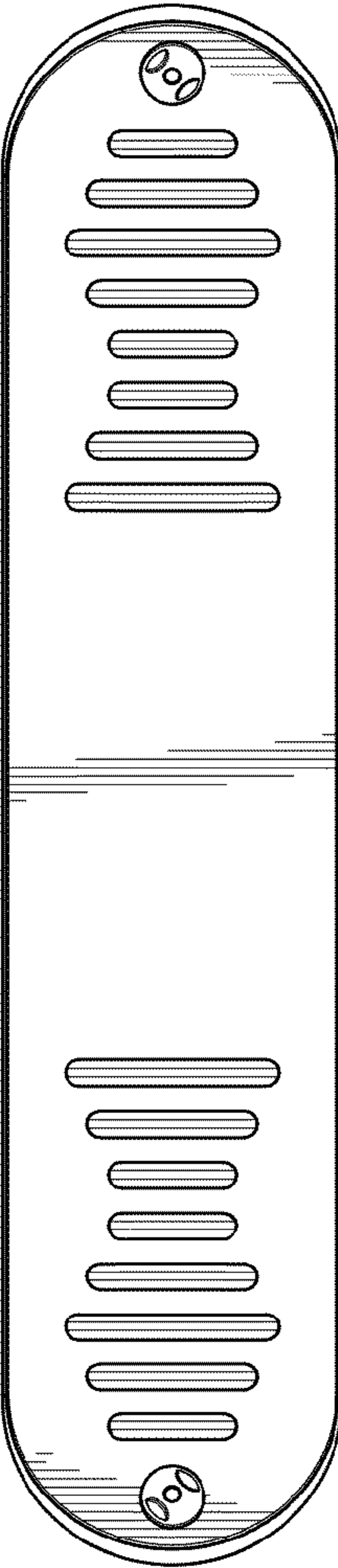


FIG. 3

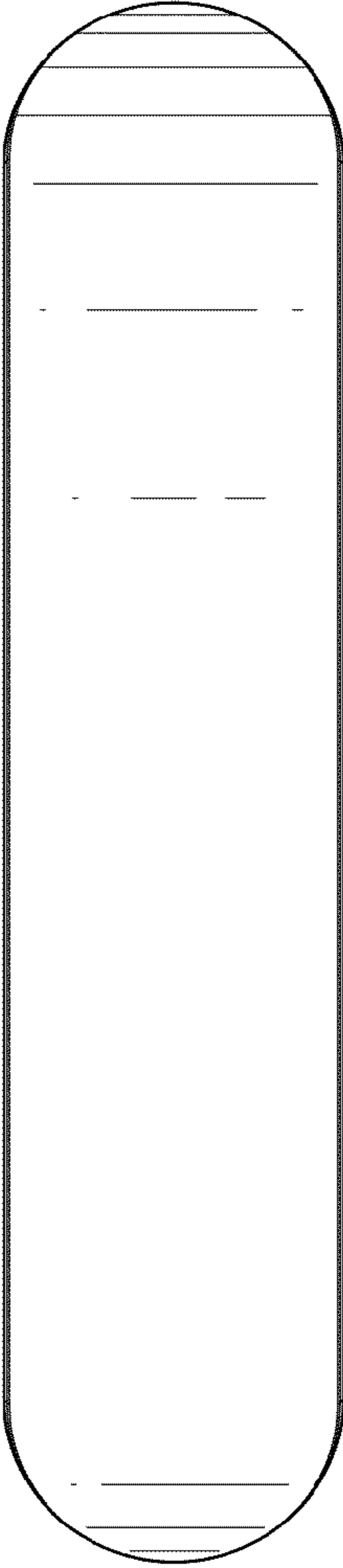


FIG. 4

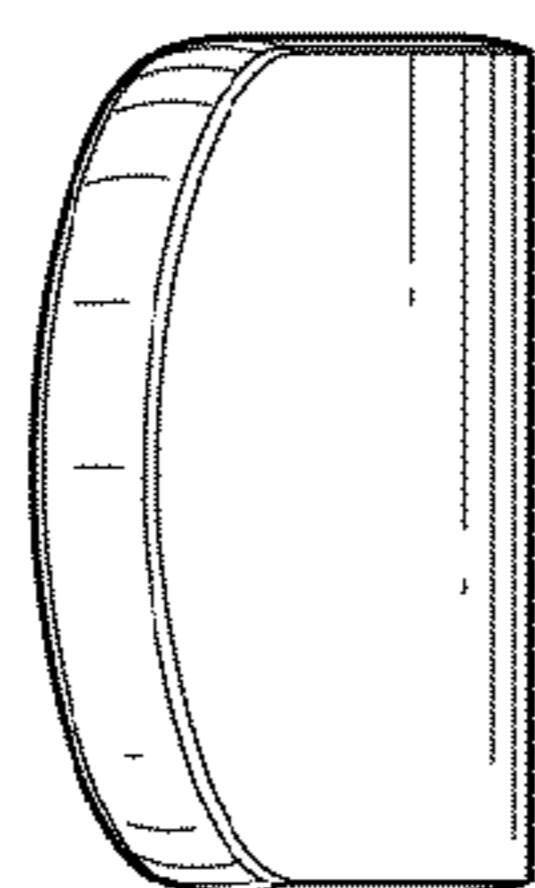


FIG. 7

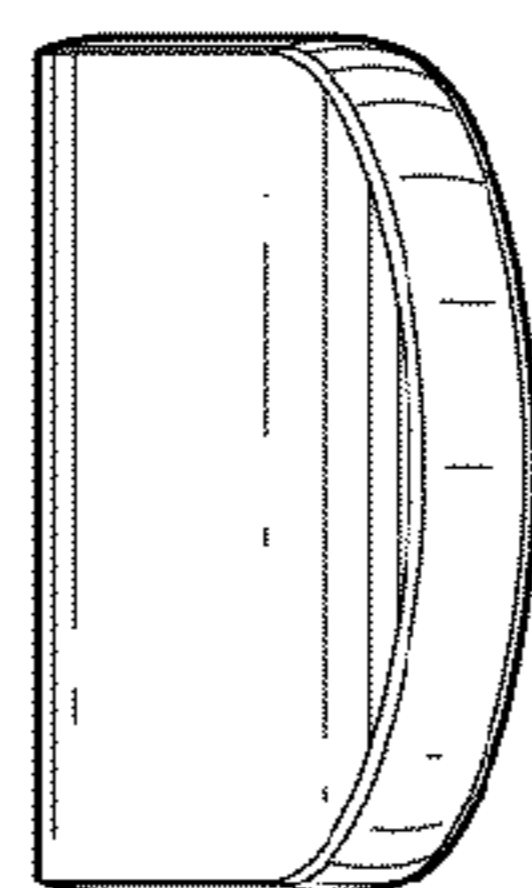


FIG. 8



FIG. 5

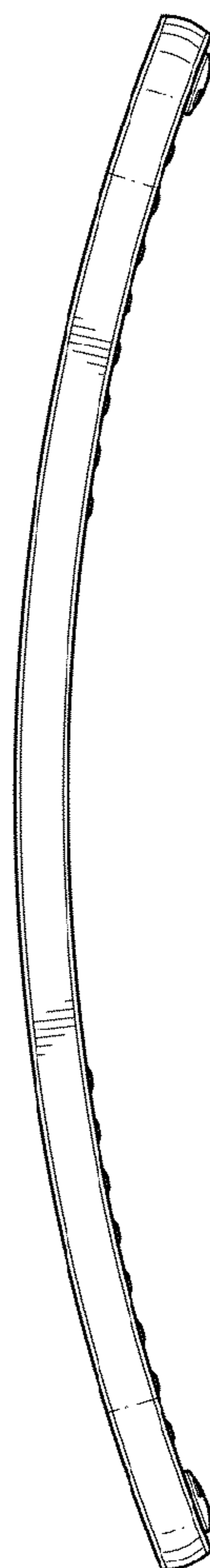


FIG. 6