



US00D724162S

(12) **United States Design Patent**  
**James**

(10) **Patent No.:** **US D724,162 S**  
(45) **Date of Patent:** **\*\* Mar. 10, 2015**

(54) **EXERCISE AND BALANCE DEVICE**

(71) Applicant: **Bradley A. James**, Van Nuys, CA (US)

(72) Inventor: **Bradley A. James**, Van Nuys, CA (US)

(\*\*) Term: **14 Years**

(21) Appl. No.: **29/467,840**

(22) Filed: **Sep. 24, 2013**

**Related U.S. Application Data**

(63) Continuation of application No. 13/080,468, filed on Apr. 5, 2011, now abandoned.

(51) **LOC (10) Cl.** ..... **21-02**

(52) **U.S. Cl.**  
USPC ..... **D21/688**

(58) **Field of Classification Search**  
CPC ..... A63B 26/003; A63B 22/18; A63B 2022/0033; A63B 22/16; A63B 9/0093; A63B 2225/62; A63B 22/14; A47C 9/025  
USPC ..... D21/662, 691, 678, 684, 686, 688, 690, D21/803, 804; 441/81, 129, 131; 482/51, 482/55, 58, 71, 95, 111, 140-142, 146, 147, 482/91; D30/160; D24/194; D6/601; D12/11; 5/655  
See application file for complete search history.

(56) **References Cited**

**U.S. PATENT DOCUMENTS**

4,191,371	A	3/1980	Armer, Jr.	
6,364,814	B1 *	4/2002	Linton	482/55
6,746,291	B1 *	6/2004	Coleman et al.	441/65
6,872,175	B2	3/2005	Lin	
D507,311	S *	7/2005	Butler et al.	D21/686
7,468,025	B2	12/2008	Hauser et al.	
D631,106	S *	1/2011	Zemel	D21/662
D632,354	S *	2/2011	Perry	D21/803
D651,669	S *	1/2012	Garland et al.	D21/662

8,105,218	B1 *	1/2012	Vayntraub	482/141
D688,755	S *	8/2013	Driessen	D21/662
8,523,621	B2 *	9/2013	Whitman	441/66
2005/0009677	A1 *	1/2005	Yang	482/142
2006/0287173	A1 *	12/2006	Guadagno	482/142
2007/0155601	A1	7/2007	Dykgraaf	
2008/0176726	A1 *	7/2008	Lin	482/142
2010/0279833	A1 *	11/2010	Gant	482/141
2012/0258841	A1 *	10/2012	James	482/91
2013/0288866	A1 *	10/2013	Rainey	482/146
2013/0316886	A1 *	11/2013	Lynch et al.	482/146
2014/0162858	A1 *	6/2014	Dalebout	482/142

\* cited by examiner

*Primary Examiner* — George D Kirschbaum

*Assistant Examiner* — Jennifer Watkins

(74) *Attorney, Agent, or Firm* — Berliner & Associates

(57) **CLAIM**

The ornamental design for an exercise and balance device, as shown and described.

**DESCRIPTION**

FIG. 1 is plan view of the exercise and balance device of the present invention;

FIG. 2 is an elevational view of the exercise and balance device;

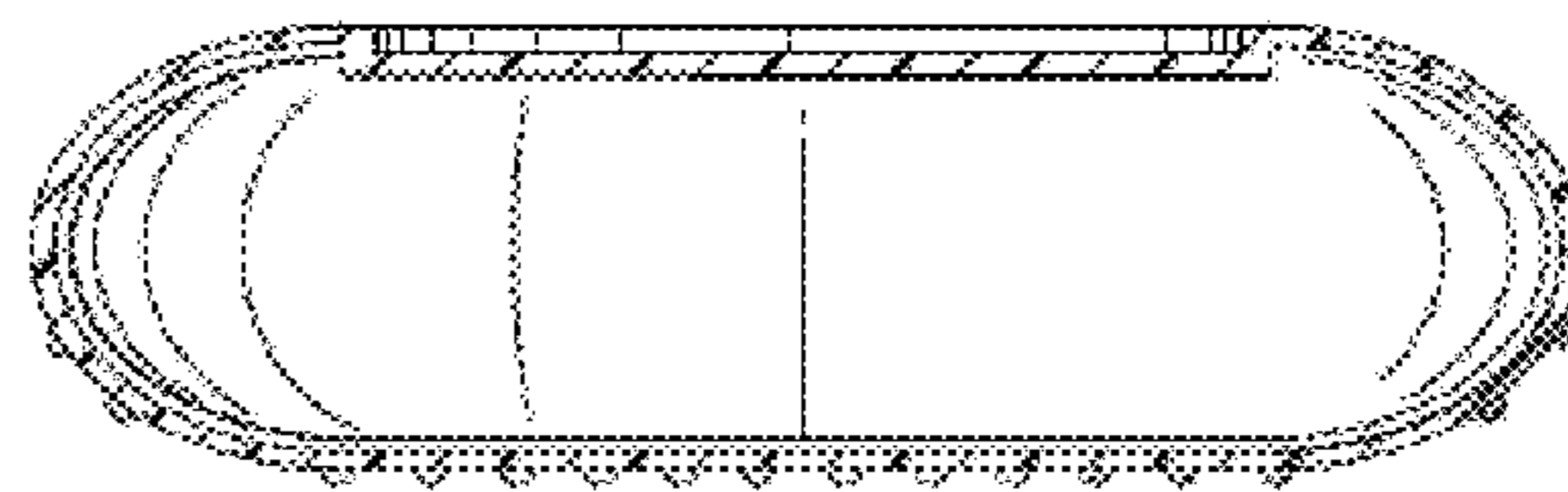
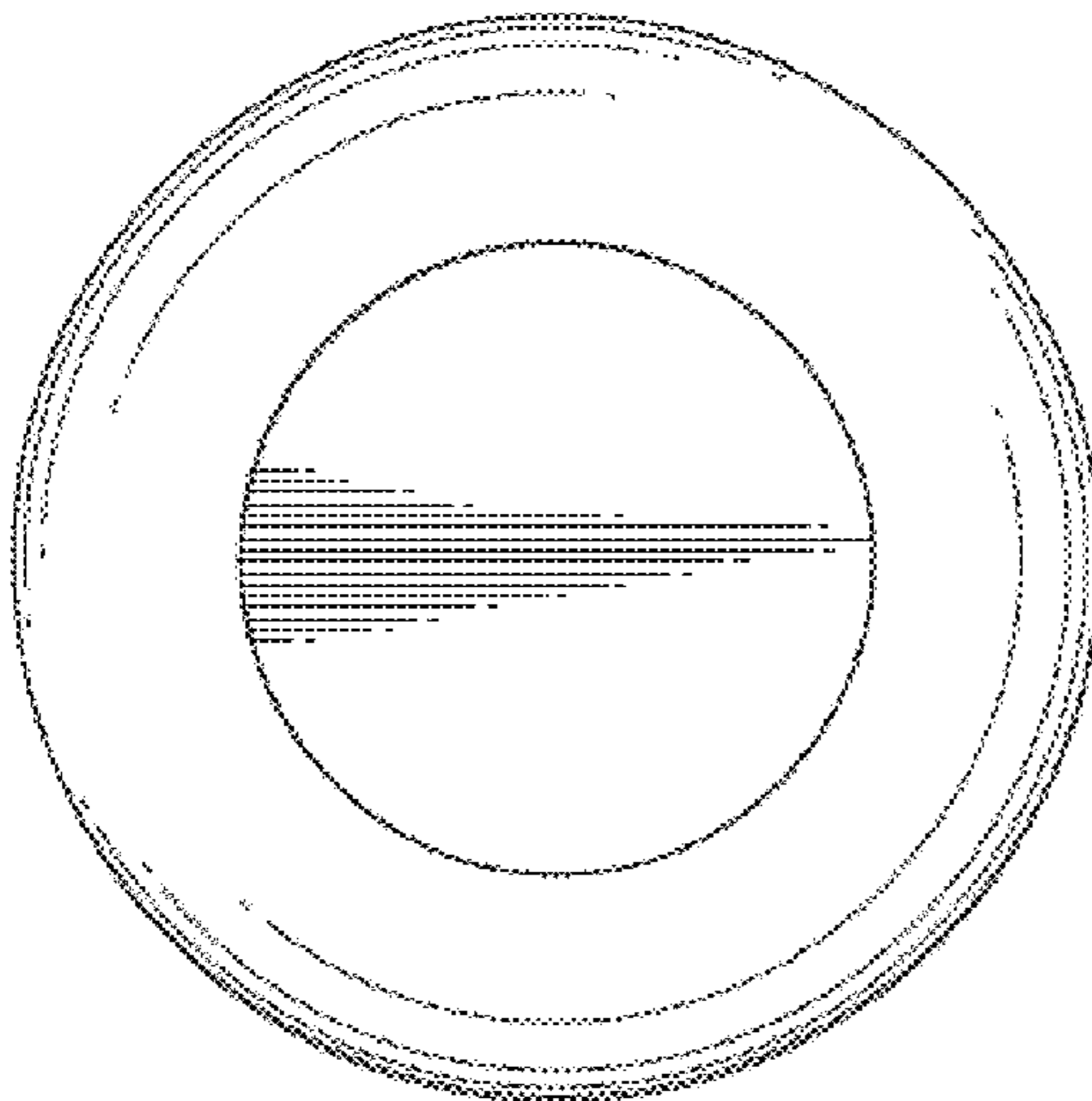
FIG. 3 is a cross-sectional view of the exercise and balance device taken on the line 3-3 of FIG. 2;

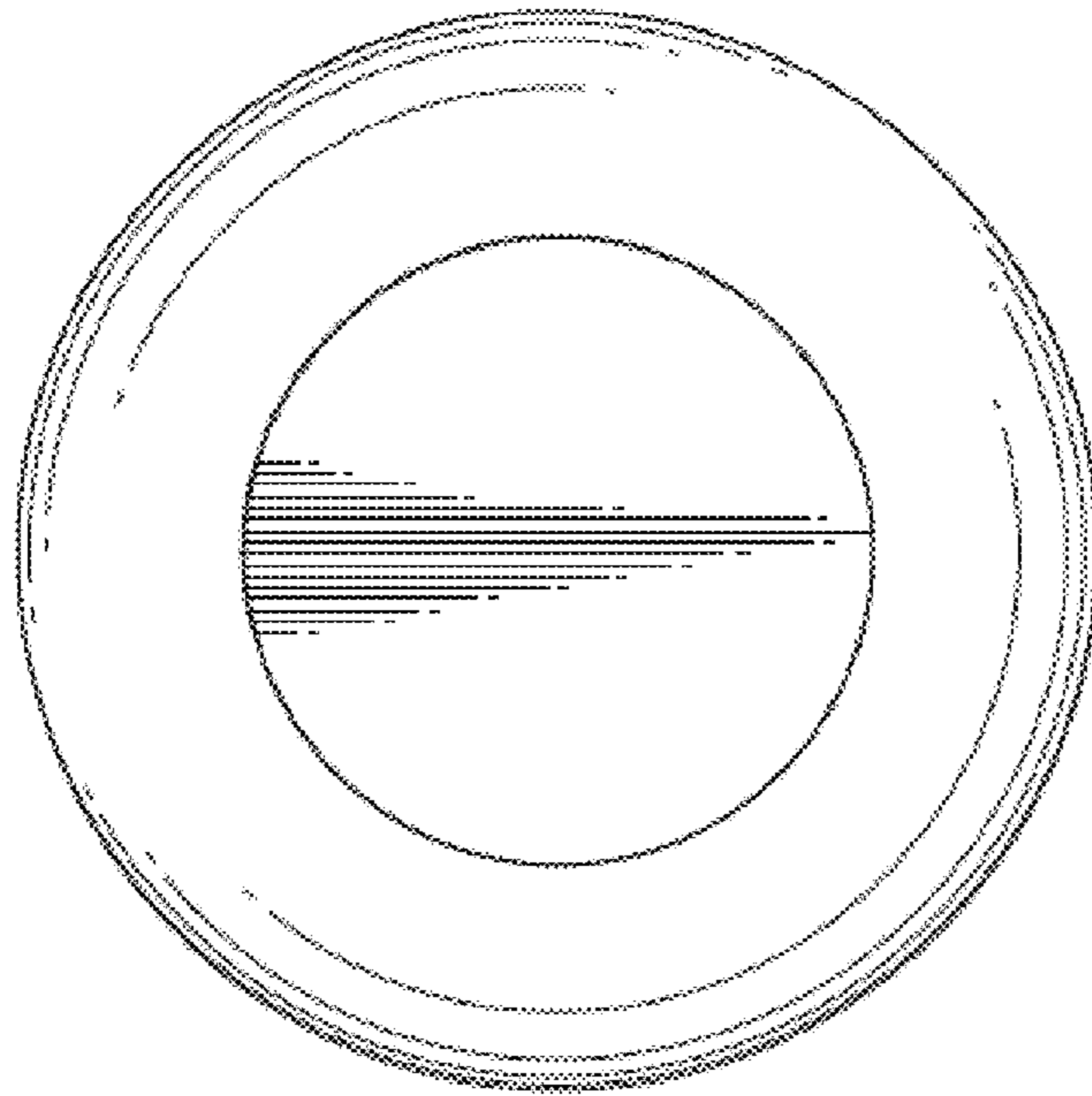
FIG. 4 is a perspective view of a person using a pair of the devices of this invention to do push-ups while undergoing balance training; and,

FIG. 5 is a perspective view of a person using a pair of the devices of this invention for balance training while lifting weights.

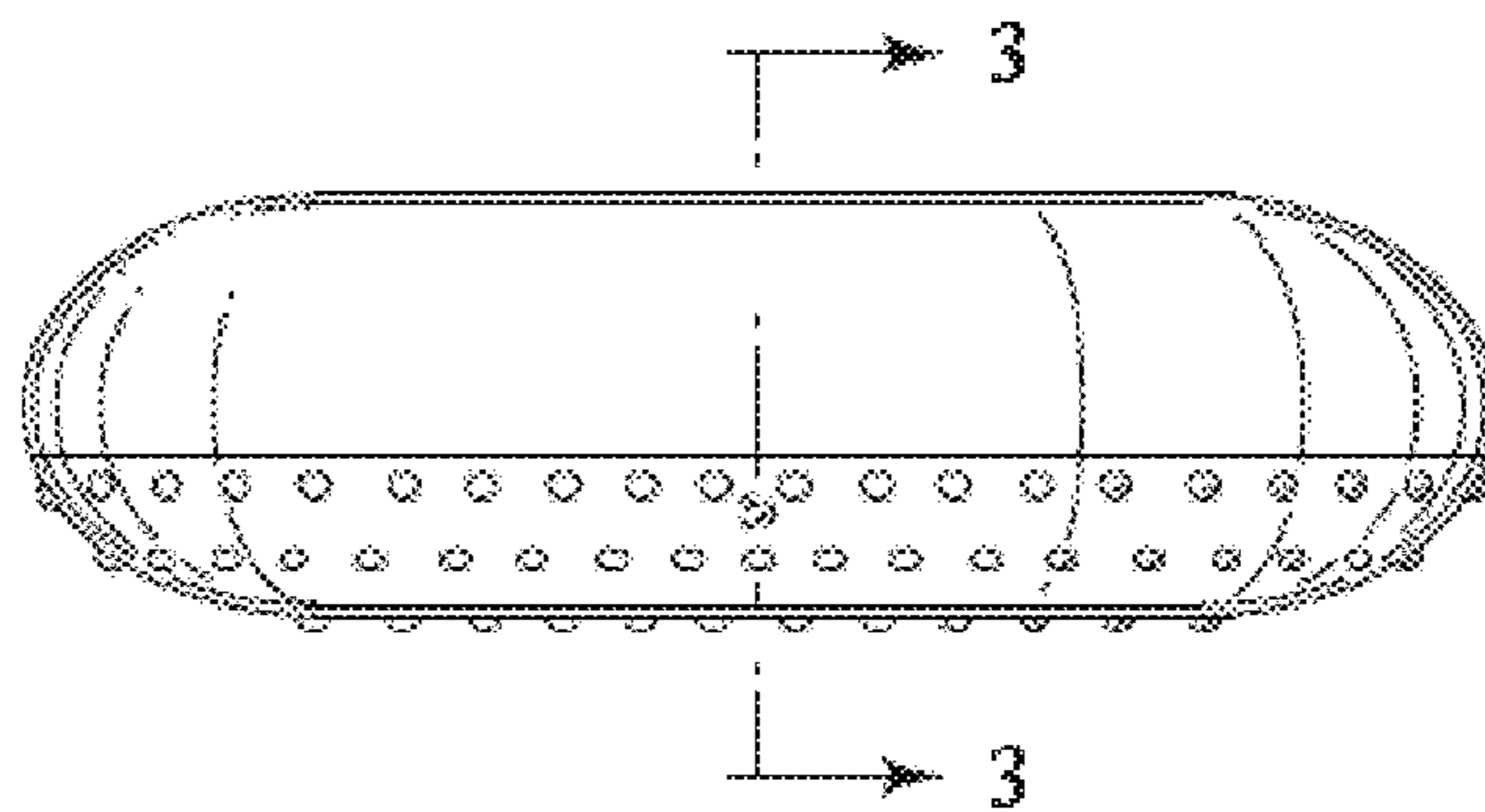
The broken lines shown on the exercise and balance device are for the purpose of illustrating portions of the article that form no part of the claimed design. The broken line shown in FIGS. 4 and 5 are for the purpose of illustrating environment that forms no part of the claimed design.

**1 Claim, 3 Drawing Sheets**

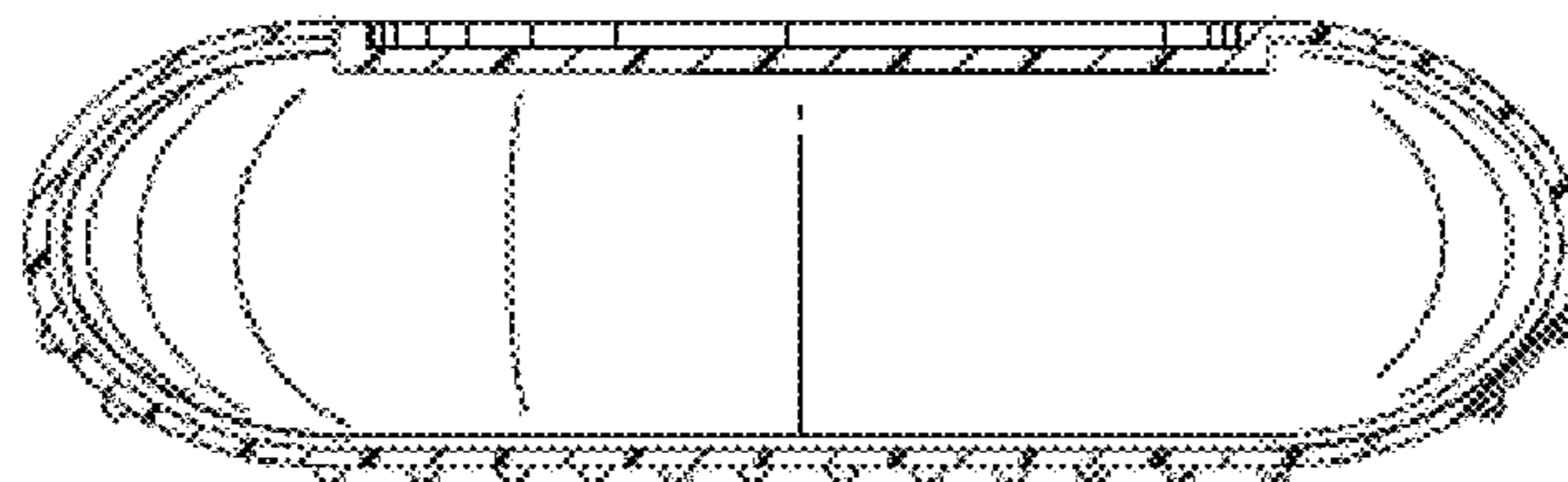




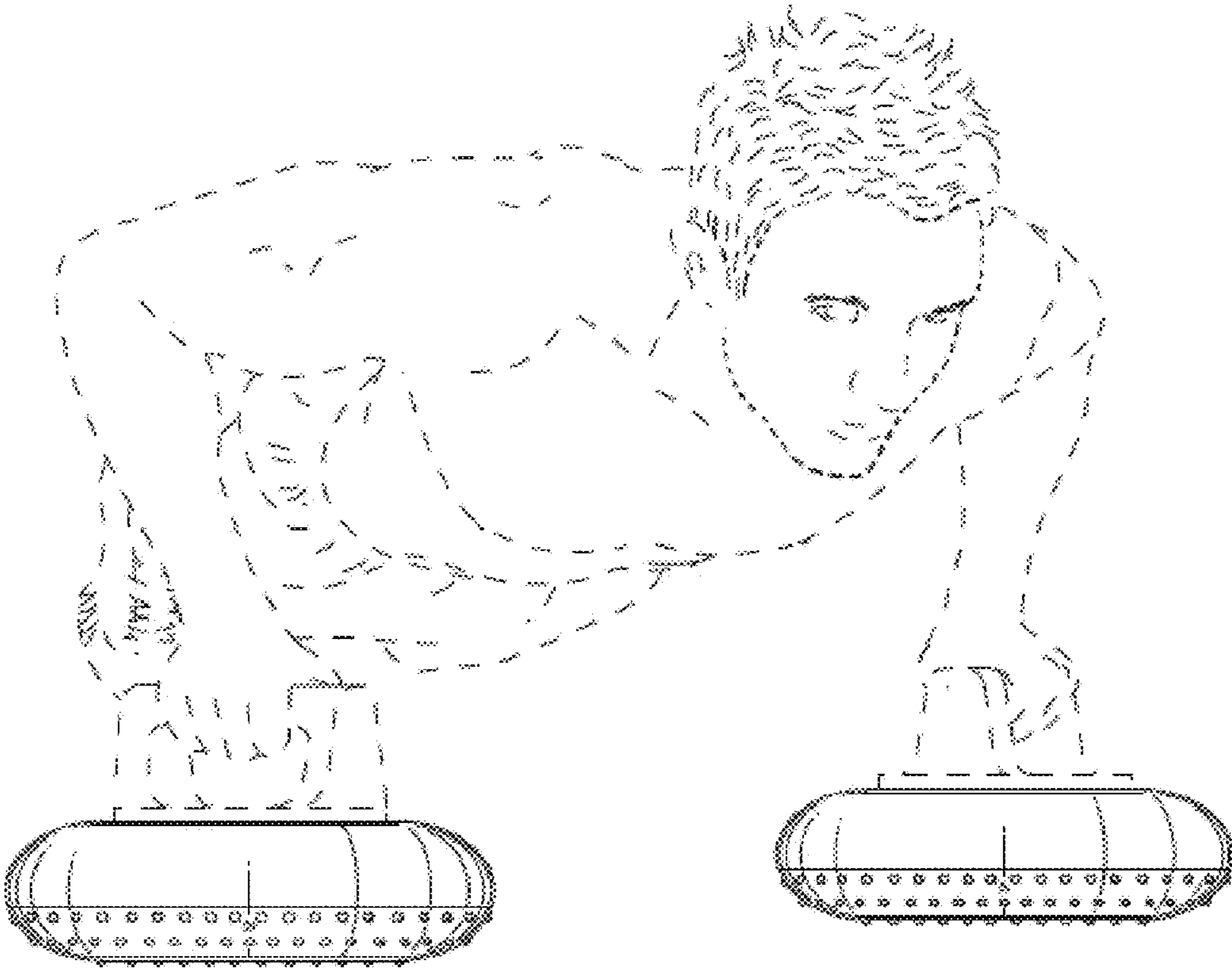
*Fig. 1*



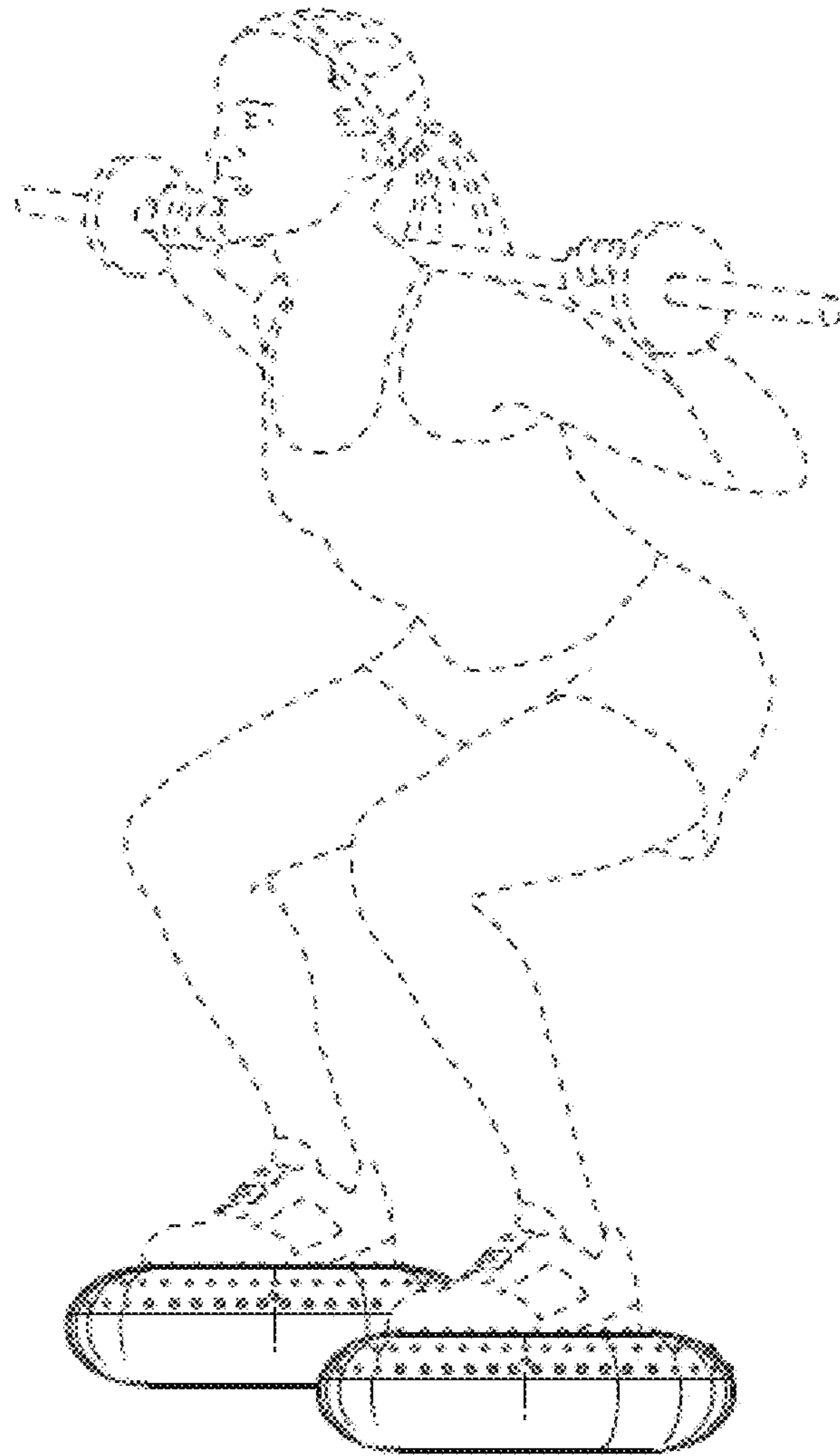
*Fig. 2*



*Fig. 3*



*Fig. 4*



*Fig. 5*