



US00D724159S

(12) **United States Design Patent**
Huber

(10) **Patent No.:** **US D724,159 S**
(45) **Date of Patent:** **** Mar. 10, 2015**

(54) **EXERCISE DEVICE WITH BALL AND FOOT PADS**

(71) Applicant: **Aaron D. Huber**, Louisville, OH (US)

(72) Inventor: **Aaron D. Huber**, Louisville, OH (US)

(**) Term: **14 Years**

(21) Appl. No.: **29/445,764**

(22) Filed: **Feb. 15, 2013**

(51) **LOC (10) Cl.** **21-02**

(52) **U.S. Cl.**
USPC **D21/662; D21/688**

(58) **Field of Classification Search**
USPC D21/662, 686, 688, 689, 694; 441/56,
441/129; 482/79, 148, 140, 141, 91, 121,
482/123

See application file for complete search history.

(56) **References Cited**

U.S. PATENT DOCUMENTS

2,941,219	A *	6/1960	Irving	441/56
3,889,308	A *	6/1975	Persson	441/56
4,610,447	A *	9/1986	Byrd	482/74
4,634,121	A *	1/1987	Sasaki	473/457
5,114,371	A *	5/1992	Alonzo	441/129
5,230,682	A *	7/1993	Myers	482/122
D370,951	S *	6/1996	Lazar	D21/692
5,674,101	A *	10/1997	Saloor	446/46
5,735,776	A	4/1998	Swezey et al.	
5,810,700	A	9/1998	Orcutt	
6,053,853	A	4/2000	Hinds	
6,068,580	A *	5/2000	Myers et al.	482/93
6,190,292	B1 *	2/2001	Panes	482/93
D456,051	S *	4/2002	Mitchell	D21/662

6,575,883	B1	6/2003	Hinds	
D507,026	S *	7/2005	Chen	D21/671
D552,696	S *	10/2007	Hallar	D21/662
7,407,465	B1	8/2008	Alzamora, Sr. et al.	
D650,536	S *	12/2011	Oblack et al.	D30/160
8,353,808	B1 *	1/2013	Barney	482/132
2006/0035751	A1	2/2006	Blair et al.	
2012/0157270	A1	6/2012	Johnson	
2012/0178595	A1	7/2012	Simpson-Weber	
2012/0184414	A1	7/2012	Osborn	
2012/0309595	A1	12/2012	Dike	

* cited by examiner

Primary Examiner — Phillip S Hyder

(74) *Attorney, Agent, or Firm* — Sand & Sebolt

(57) **CLAIM**

The ornamental design for an exercise device with ball and foot pads, as shown and described.

DESCRIPTION

FIG. 1 is a top plan view of an exercise device with ball and foot pads, showing my new design.

FIG. 2 is a bottom plan view of the exercise device of FIG. 1.

FIG. 3 is a rear elevation view of the exercise device of FIG. 1.

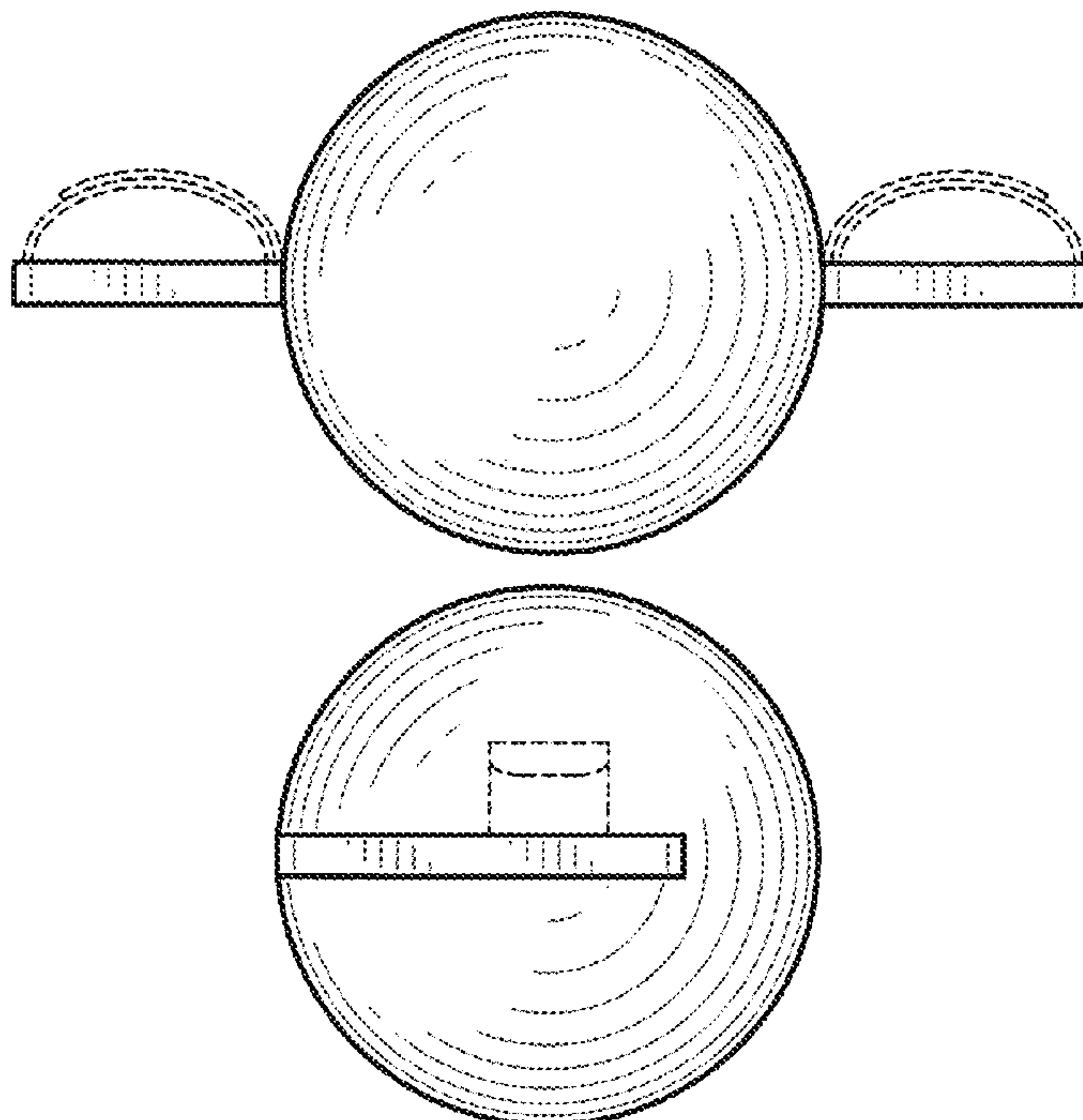
FIG. 4 is a front elevation view of the exercise device of FIG. 1.

FIG. 5 is a right side elevation view of the exercise device of FIG. 1; and

FIG. 6 is a left side elevation view of the exercise device of FIG. 1.

The broken lines depict portions of the exercise device with ball and foot pads in which the design is embodied that are not considered part of the claimed design.

1 Claim, 2 Drawing Sheets



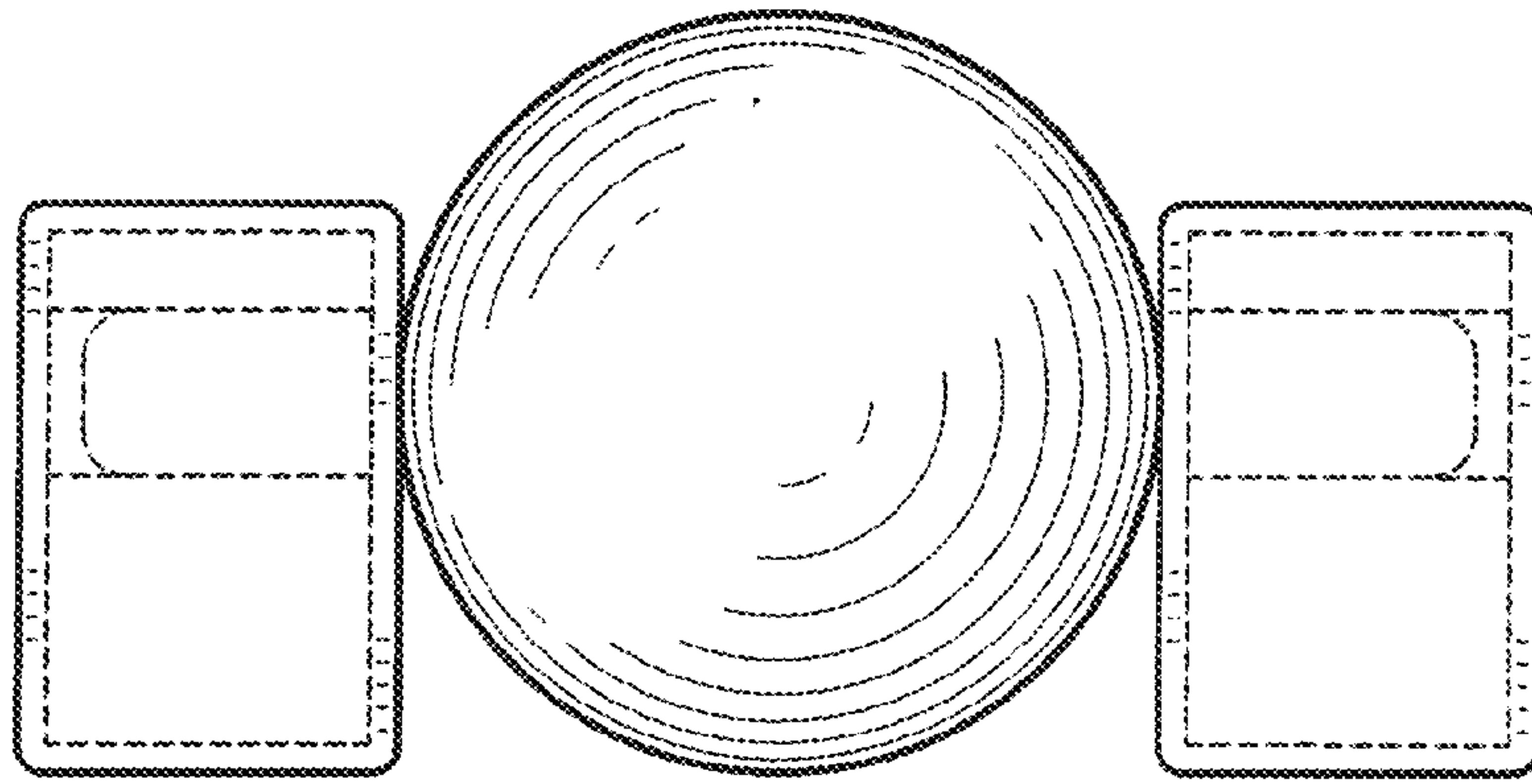


FIG-1

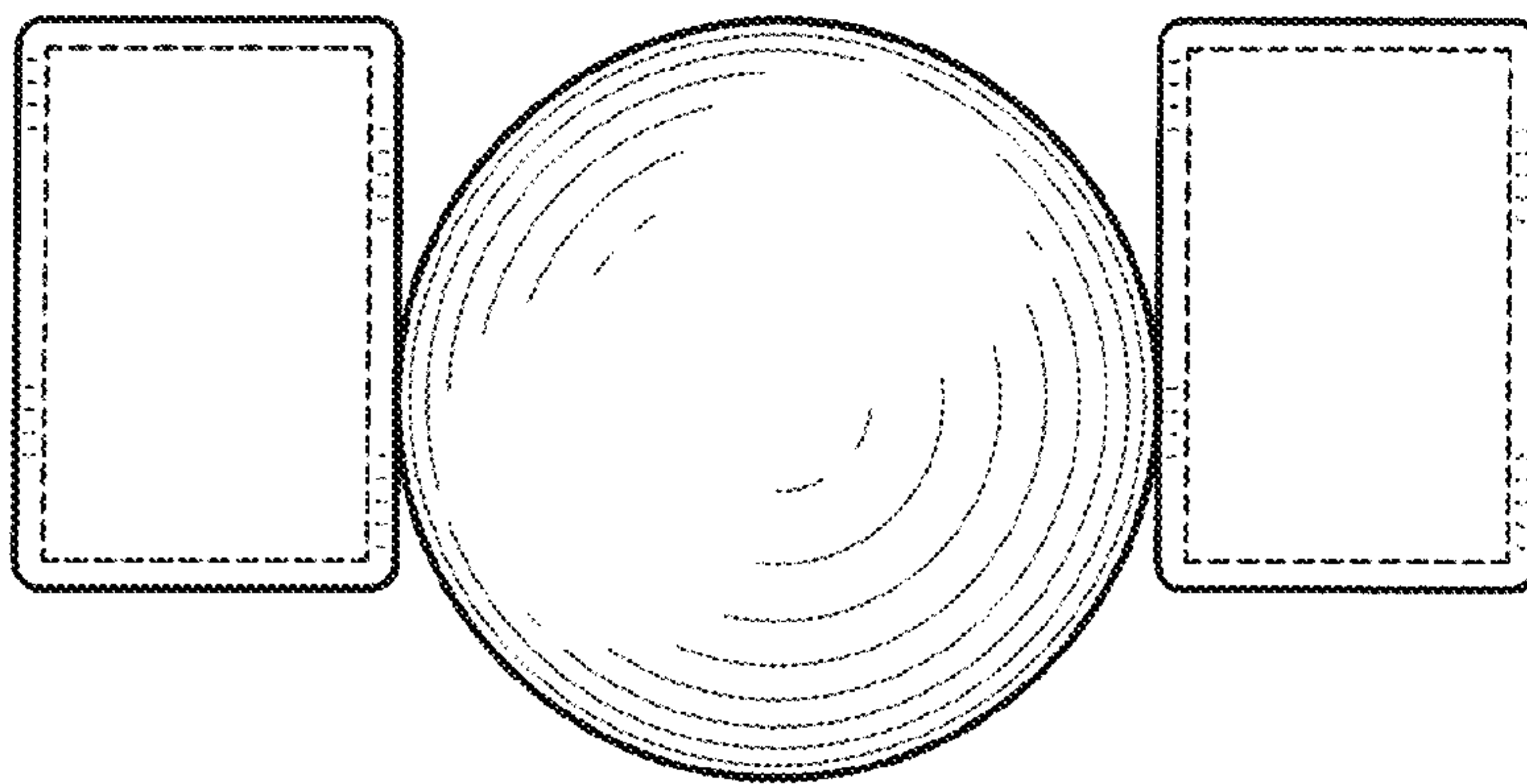


FIG-2

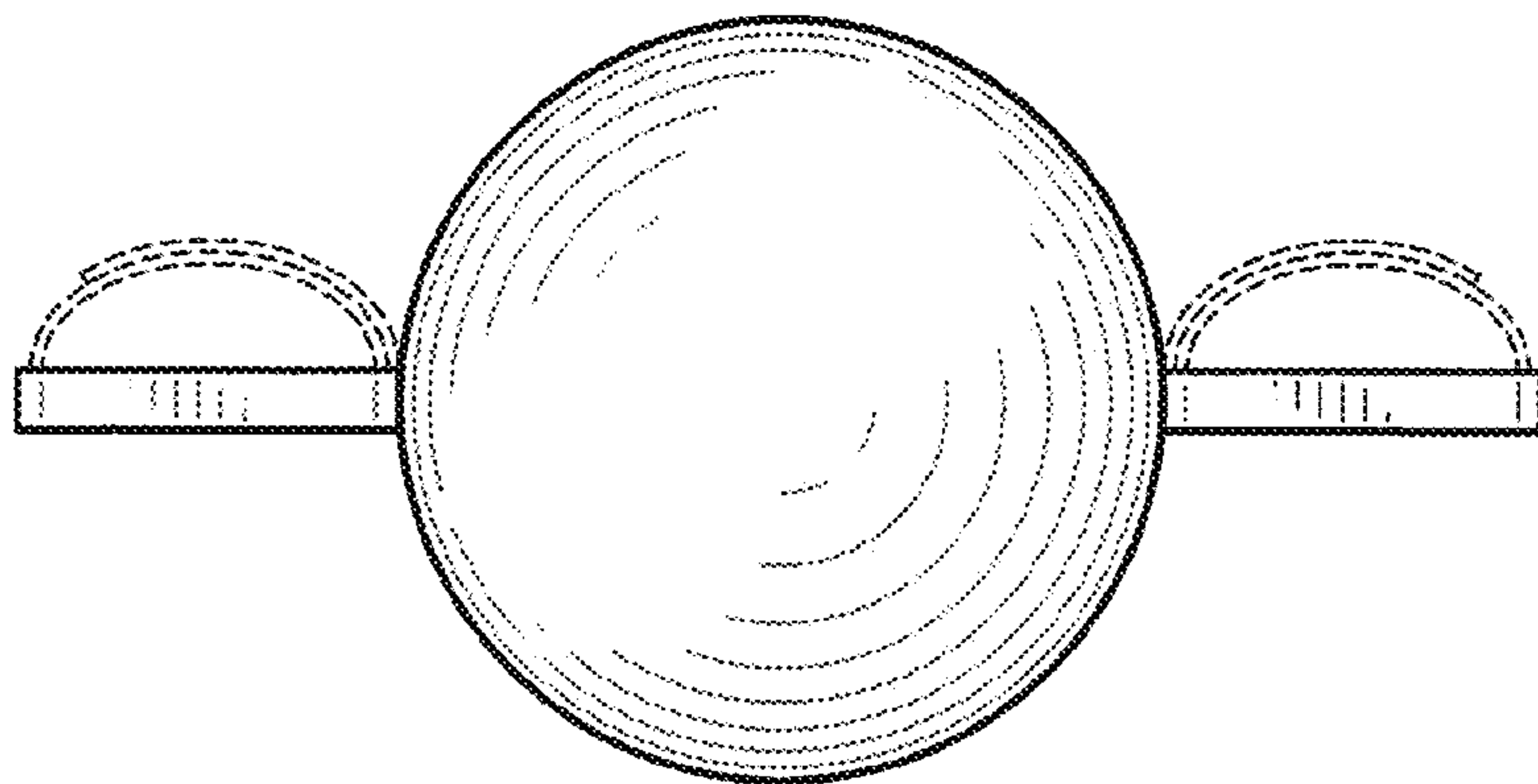


FIG-3

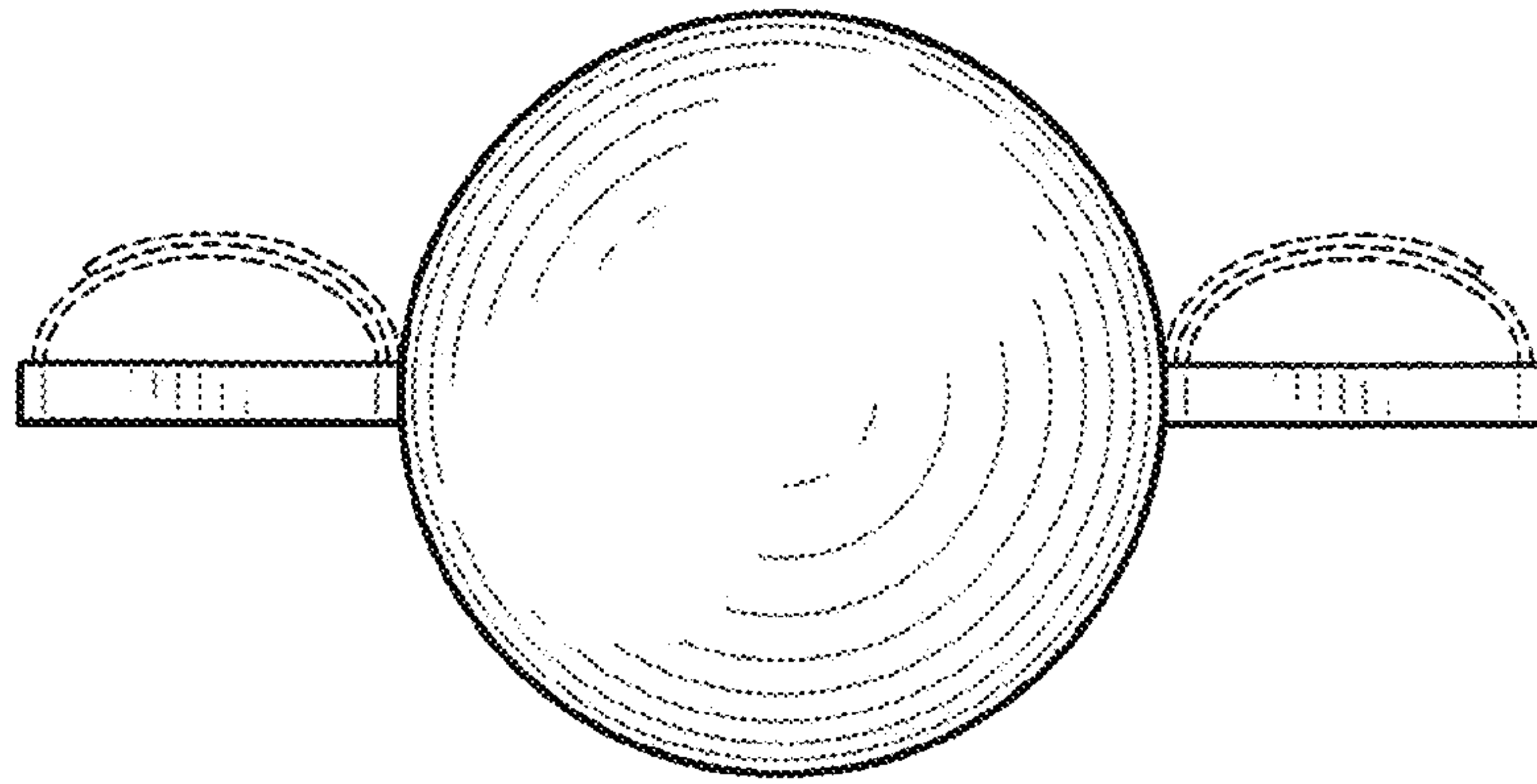


FIG-4

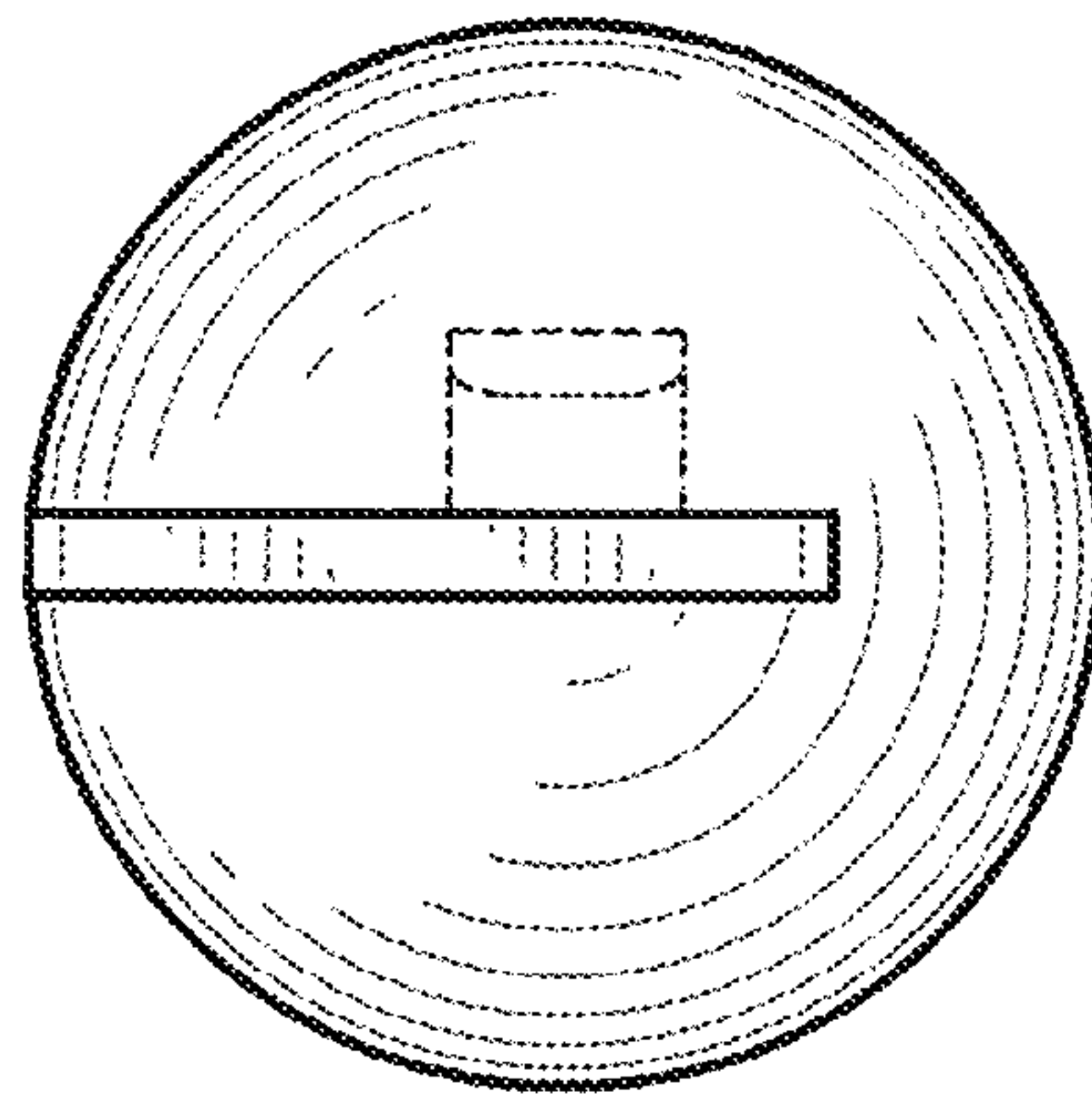


FIG-5

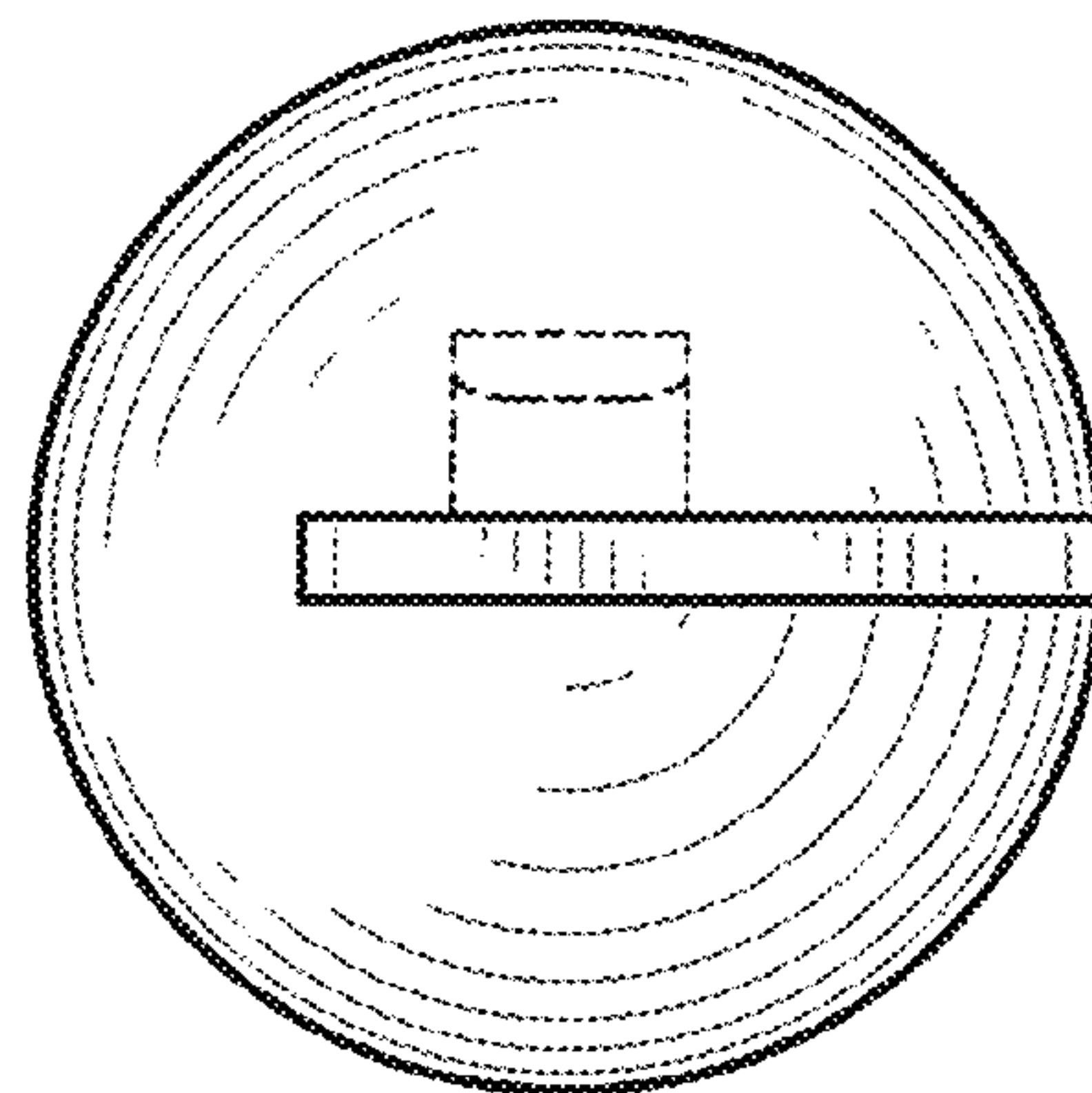


FIG-6