



US00D724147S

(12) **United States Design Patent**  
**Lee**

(10) **Patent No.:** **US D724,147 S**  
(45) **Date of Patent:** **\*\* Mar. 10, 2015**

- (54) **KNIFE SHAPED PEN**
- (71) Applicant: **Jaeyu Lee**, New York, NY (US)
- (72) Inventor: **Jaeyu Lee**, New York, NY (US)
- (73) Assignee: **Kikkerland Design, Inc.**, New York, NY (US)
- (\*\*) Term: **14 Years**
- (21) Appl. No.: **29/479,527**
- (22) Filed: **Jan. 17, 2014**
- (51) **LOC (10) Cl.** ..... **19-06**
- (52) **U.S. Cl.**  
USPC ..... **D19/156**
- (58) **Field of Classification Search**  
USPC ..... D14/411; D19/115-204; 24/11 F, 11 P,  
24/11 R; 401/52, 99-109, 192, 195, 196;  
D7/649, 651, 664; D8/97-101;  
D22/118  
See application file for complete search history.

- (56) **References Cited**  
**U.S. PATENT DOCUMENTS**  
1,737,656 A \* 12/1929 Le Gore ..... 30/342  
1,989,225 A \* 1/1935 Campbell ..... 30/342  
4,062,118 A \* 12/1977 Modafferi ..... 30/339  
D265,719 S \* 8/1982 Dowdy ..... D8/99  
D270,264 S \* 8/1983 Mathisen ..... D22/118  
D299,807 S \* 2/1989 Sawa ..... D7/649  
D330,064 S \* 10/1992 Medina ..... D22/118

- D420,258 S \* 2/2000 Leo et al. .... D7/649
- D498,285 S \* 11/2004 Trbovich et al. .... D22/118
- D509,880 S \* 9/2005 Trbovich et al. .... D22/118
- D549,799 S \* 8/2007 Kroll ..... D22/118
- D559,044 S \* 1/2008 Ono ..... D7/649
- D624,369 S \* 9/2010 Gerlach ..... D7/649
- D697,578 S \* 1/2014 Ameis ..... D22/118
- D698,406 S \* 1/2014 Ameis ..... D22/118
- D699,808 S \* 2/2014 Nordwall et al. .... D22/118
- D716,411 S \* 10/2014 Ameis ..... D22/118

\* cited by examiner

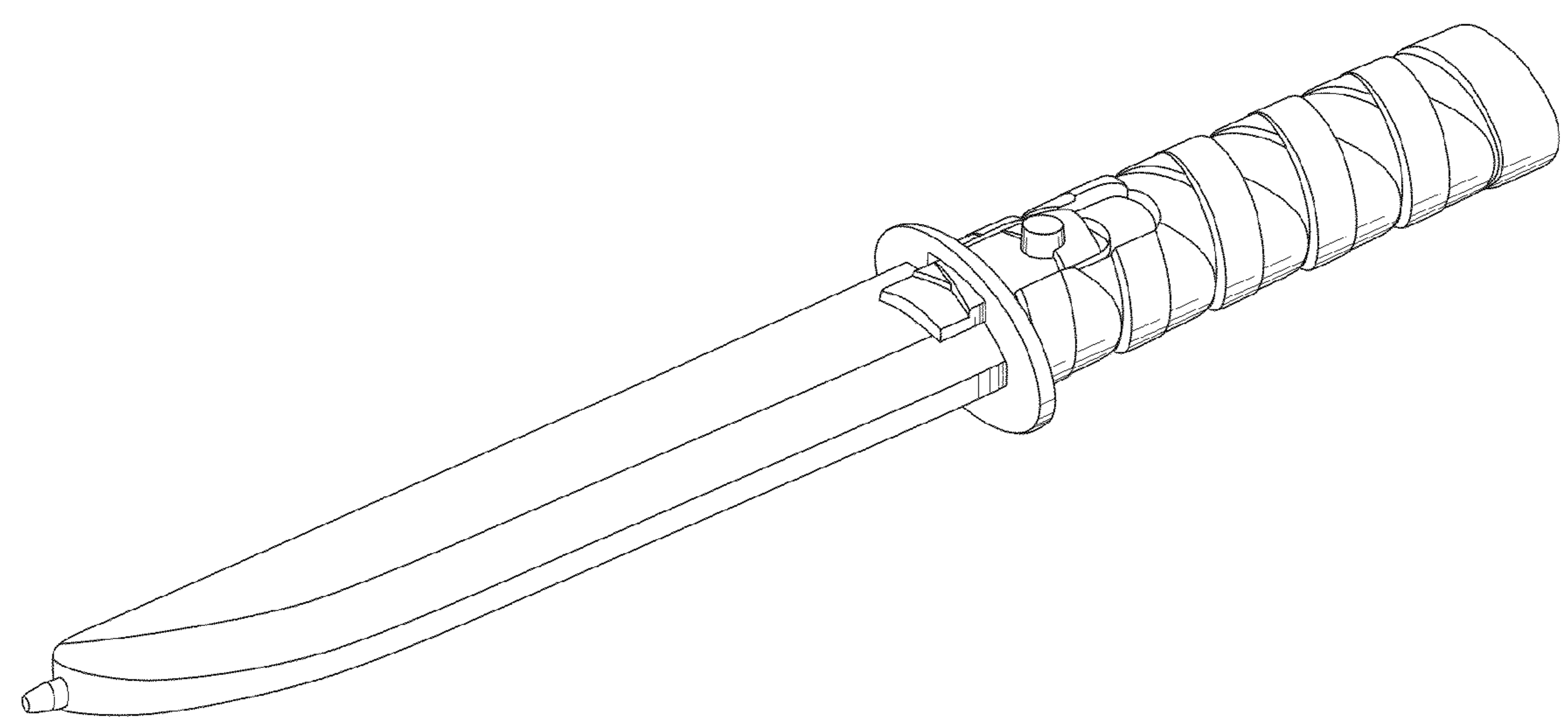
*Primary Examiner* — Elizabeth Albert  
(74) *Attorney, Agent, or Firm* — Cascio & Ziervas

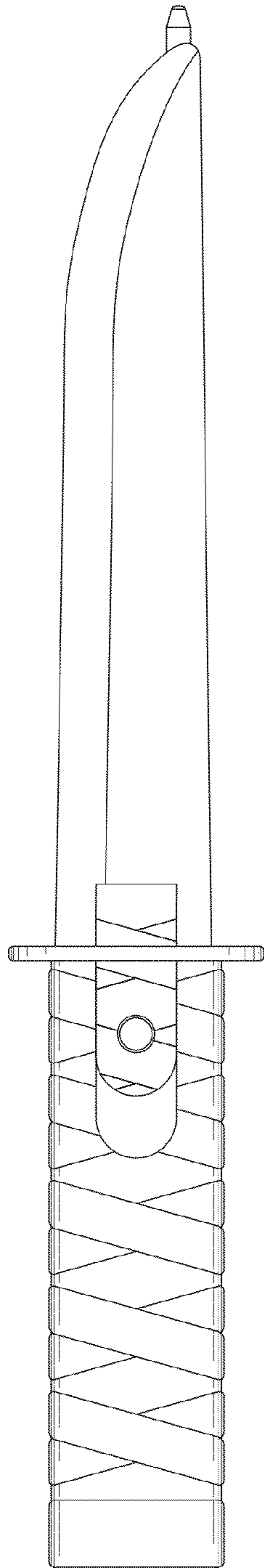
(57) **CLAIM**  
The ornamental design for a knife shaped pen, as shown and described.

**DESCRIPTION**

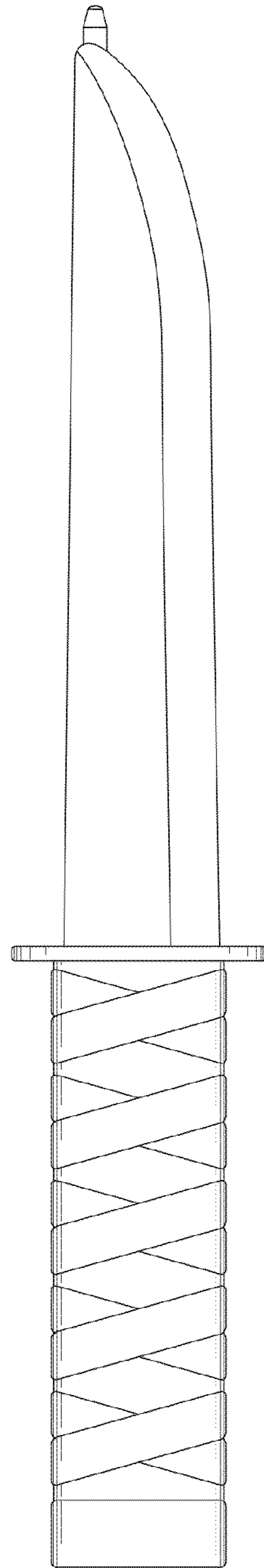
FIG. 1 is a left side elevational view of a knife shaped pen showing my design;  
FIG. 2 is a right side elevational view thereof;  
FIG. 3 is a rear elevational view thereof;  
FIG. 4 is a front elevational view thereof;  
FIG. 5 is a top plan view thereof;  
FIG. 6 is a bottom plan view thereof;  
FIG. 7 is a perspective view thereof; and,  
FIG. 8 is a perspective view thereof with the pen in the retracted position.  
The broken line on the bottom in FIG. 6 is included for the purpose of showing a portion knife shaped pen that forms no part of the claimed design.

**1 Claim, 3 Drawing Sheets**

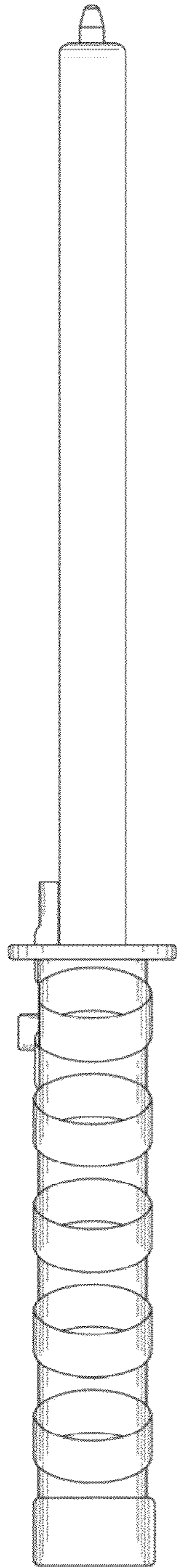




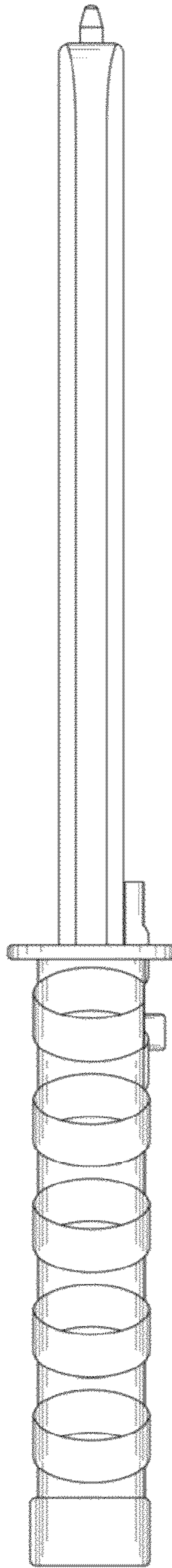
**FIG. 1**



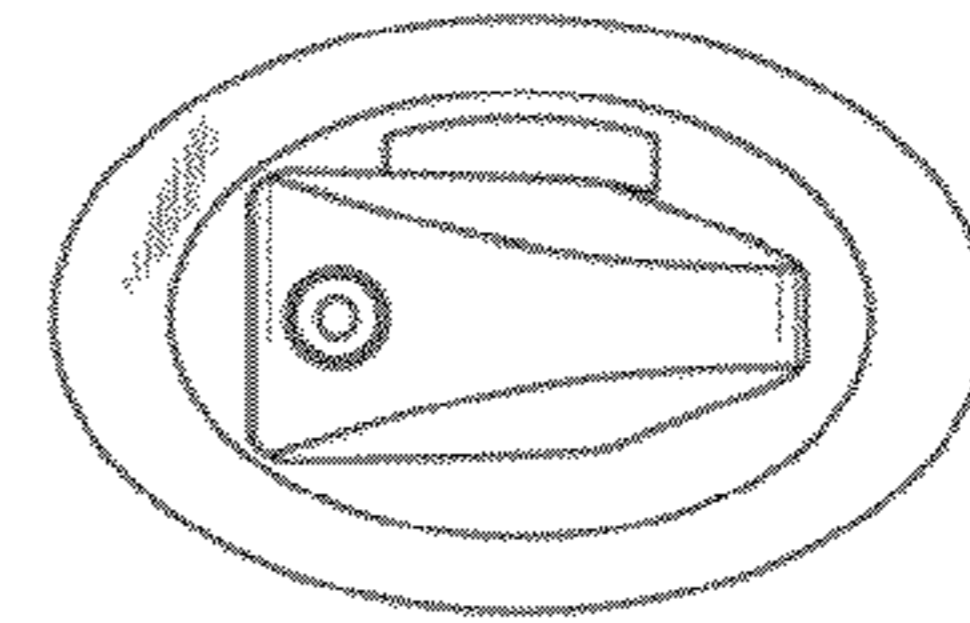
**FIG. 2**



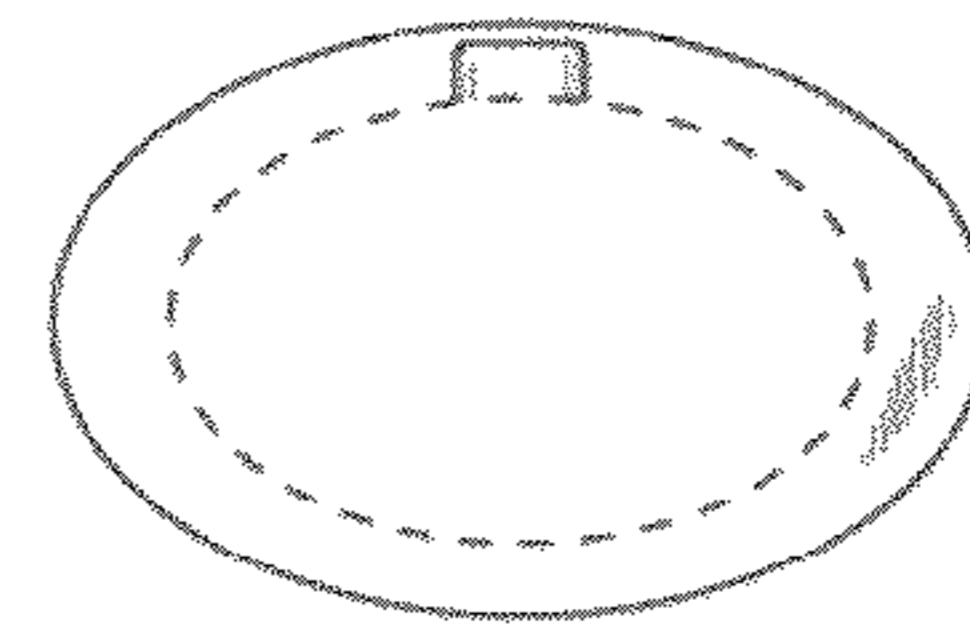
**FIG. 3**



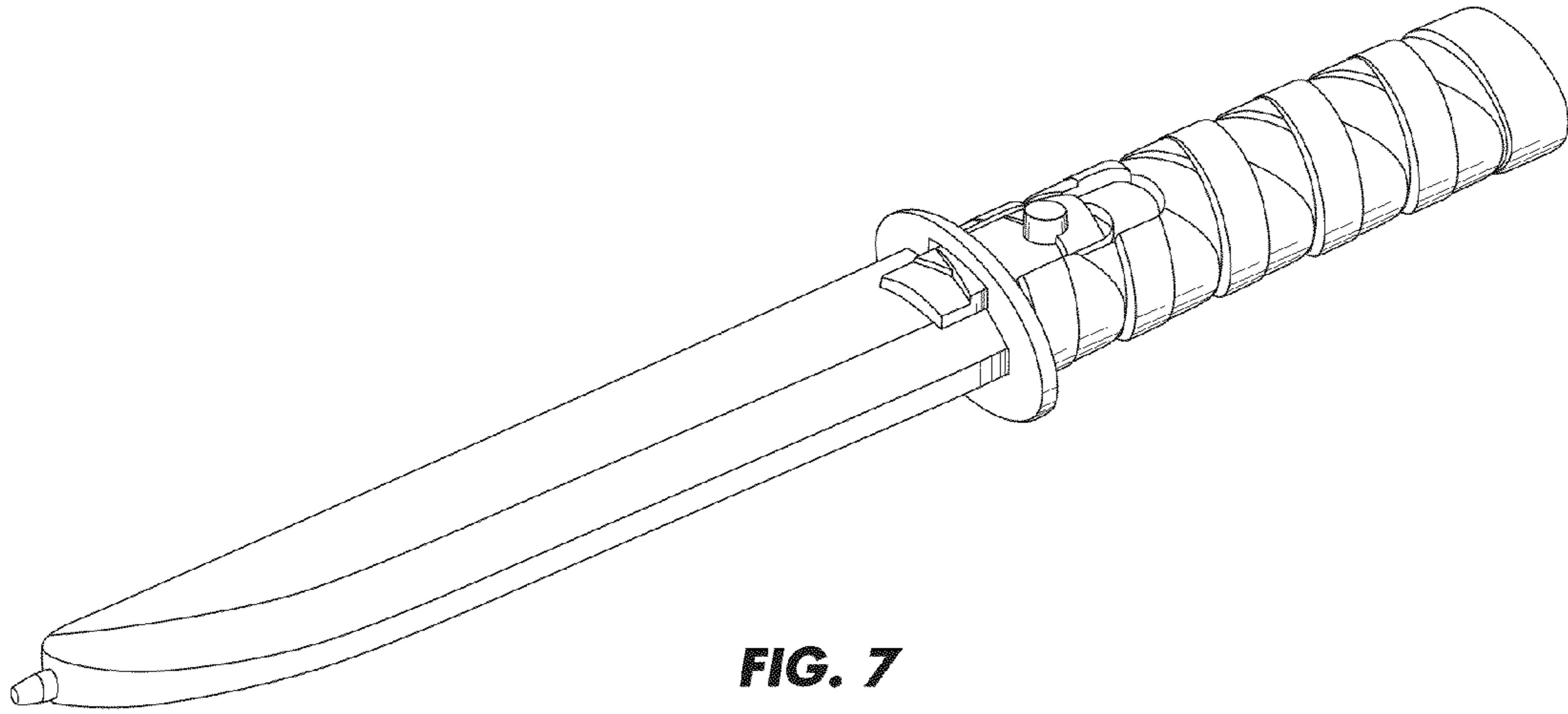
**FIG. 4**



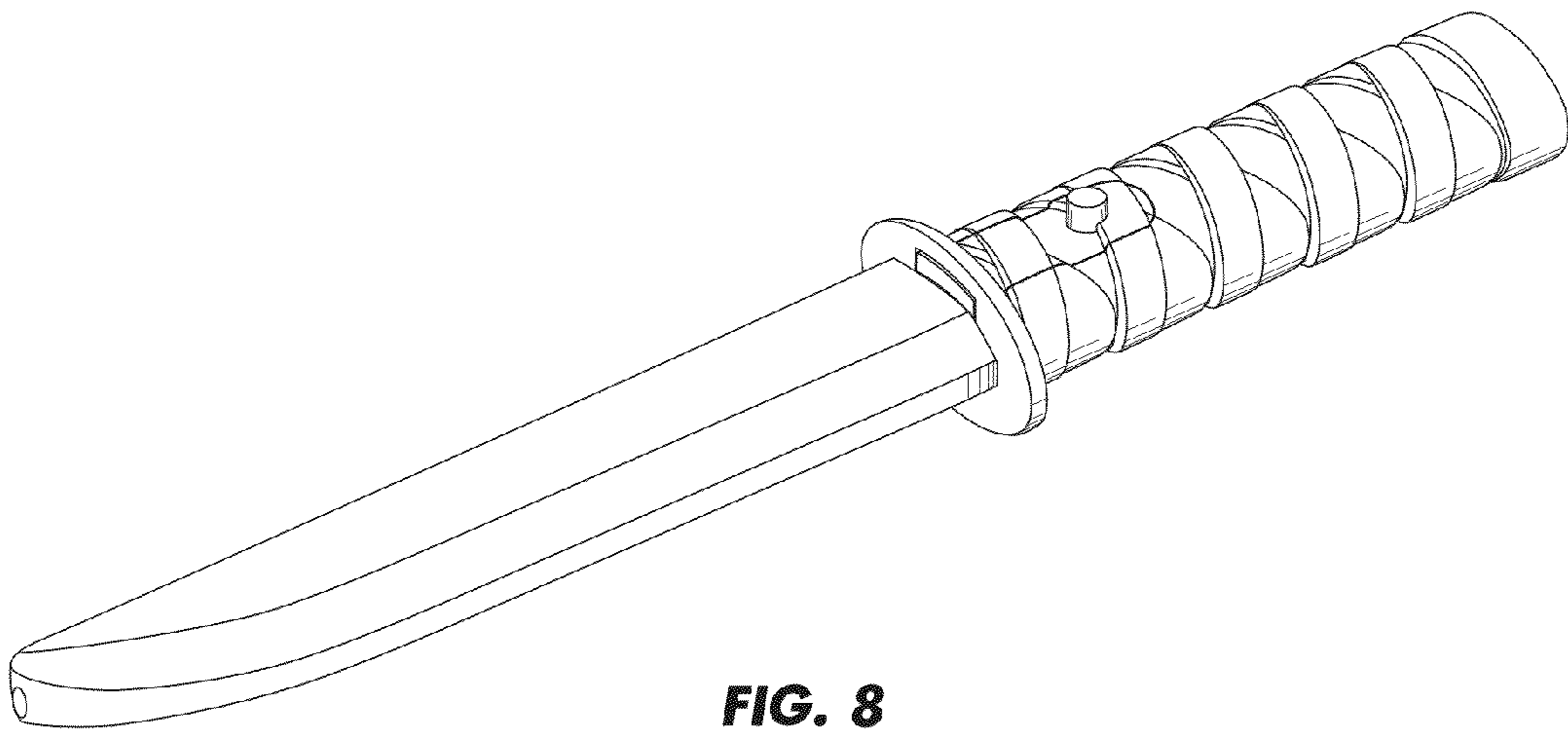
**FIG. 5**



**FIG. 6**



**FIG. 7**



**FIG. 8**