



US00D724146S

(12) **United States Design Patent**  
**Kennedy**

(10) **Patent No.:** **US D724,146 S**  
(45) **Date of Patent:** **\*\* Mar. 10, 2015**

- (54) **NUNCHUCK SHAPED PEN**
- (71) Applicant: **Timothy J. Kennedy**, Leonia, NJ (US)
- (72) Inventor: **Timothy J. Kennedy**, Leonia, NJ (US)
- (73) Assignee: **Kikkerland Design, Inc.**, New York, NY (US)
- (\*\*) Term: **14 Years**
- (21) Appl. No.: **29/480,185**
- (22) Filed: **Jan. 23, 2014**
- (51) **LOC (10) Cl.** ..... **19-06**
- (52) **U.S. Cl.**  
USPC ..... **D19/122; D19/928**
- (58) **Field of Classification Search**  
CPC ..... **F41B 15/00**  
USPC ..... **D14/411; D19/115-204; 24/11 F, 11 P, 24/11 R; 401/52, 99-109, 192, 195, 196; D22/117; 463/47.5**  
See application file for complete search history.

4,023,803	A *	5/1977	Lewis	.....	463/47.5
4,456,256	A *	6/1984	Kleeger	.....	463/47.5
5,306,193	A *	4/1994	Yang	.....	446/215
5,524,886	A *	6/1996	Kim	.....	463/47.5
D405,219	S *	2/1999	Dal Monte	.....	D27/101
5,893,800	A *	4/1999	Taggart	.....	463/47.5
6,126,292	A *	10/2000	Liu	.....	362/102
6,547,470	B2 *	4/2003	Legg	.....	401/195
D596,231	S *	7/2009	Hung	.....	D19/43
D717,146	S *	11/2014	Grossman et al.	.....	D8/40
2006/0019754	A1 *	1/2006	Chang	.....	463/47.5

\* cited by examiner

*Primary Examiner* — Elizabeth Albert  
(74) *Attorney, Agent, or Firm* — Cascio & Zervas

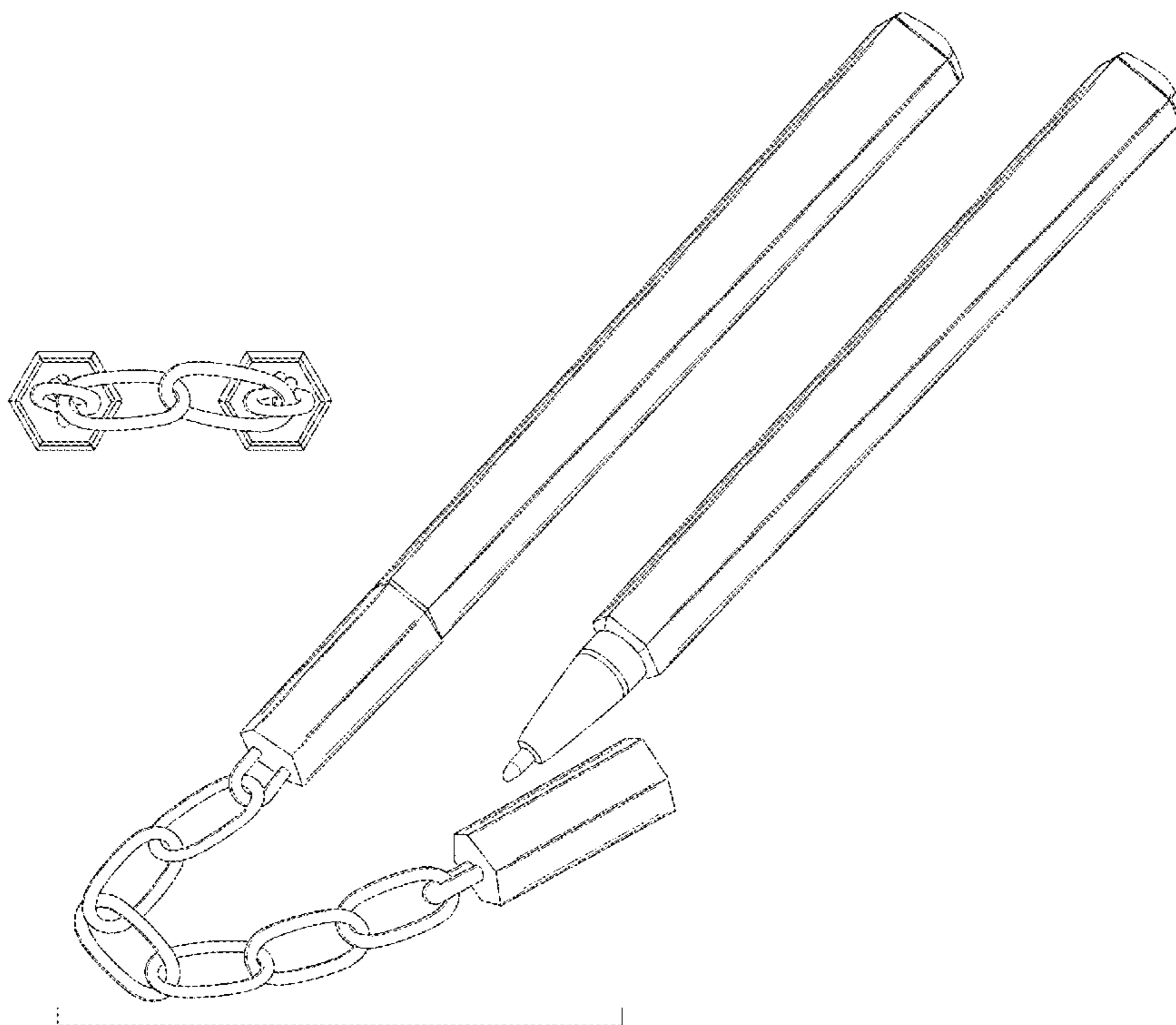
(57) **CLAIM**  
The ornamental design for a nunchuck shaped pen, as shown and described.

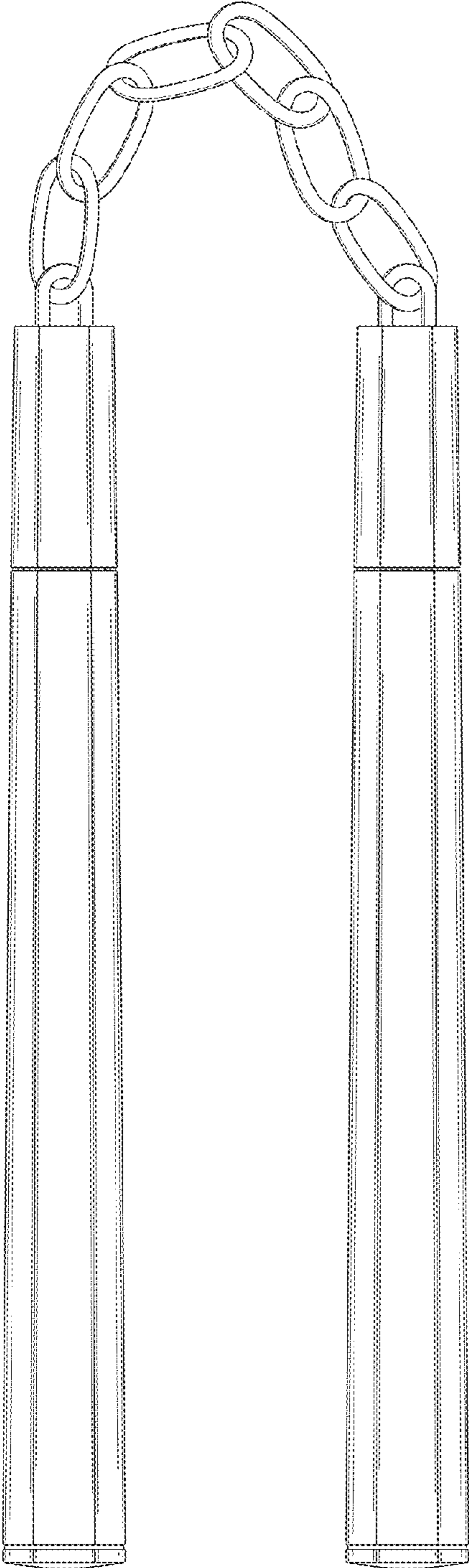
**DESCRIPTION**

FIG. 1 is a front elevational view of the nunchuck shaped pen showing my design;  
FIG. 2 is a rear elevational view thereof;  
FIG. 3 is a left side devotional view thereof;  
FIG. 4 is a right side elevational view thereof;  
FIG. 5 is a bottom plan view thereof;  
FIG. 6 is a top plan view thereof;  
FIG. 7 is a perspective view thereof;  
FIG. 8 is a perspective view thereof with one of the caps removed; and,  
FIG. 9 is a perspective view thereof with both caps removed.

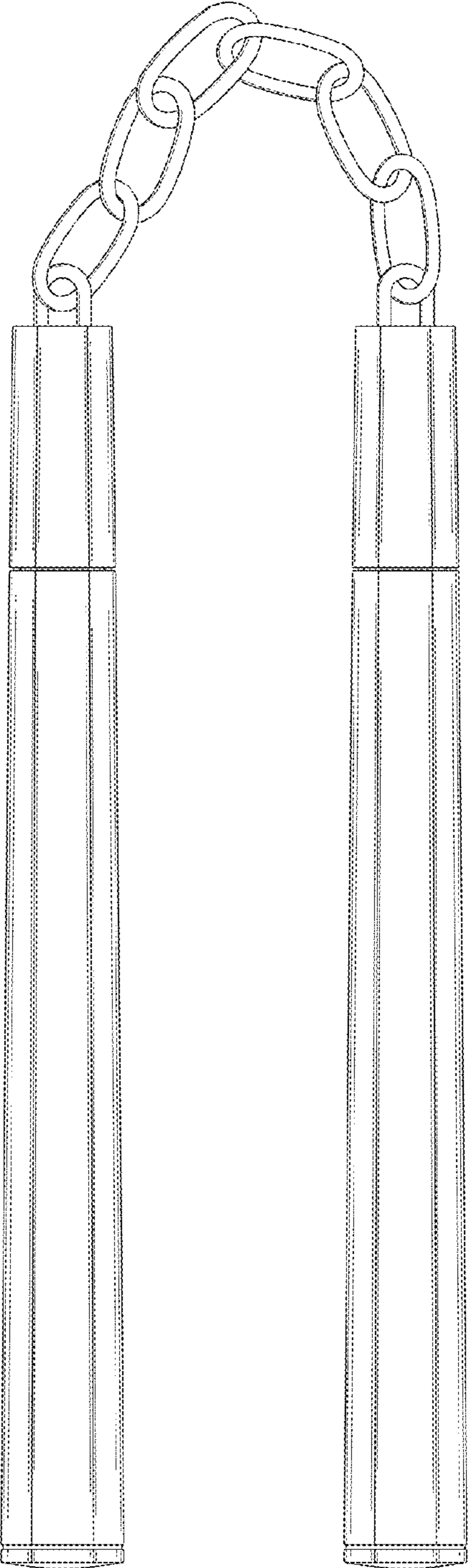
**1 Claim, 4 Drawing Sheets**

- (56) **References Cited**  
U.S. PATENT DOCUMENTS  
86,101 A \* 1/1869 Reckendorfer ..... 40/335  
2,364,849 A \* 12/1944 Ibbotson et al. .... 144/346  
D211,403 S \* 6/1968 Miller ..... D8/98  
3,454,274 A \* 7/1969 Kaneshiro ..... 463/47.5  
3,608,899 A \* 9/1971 Hall ..... 463/47.5  
3,937,468 A \* 2/1976 Conde, Sr. .... 463/47.5

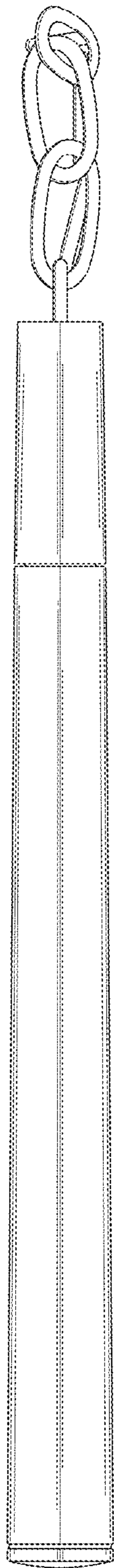




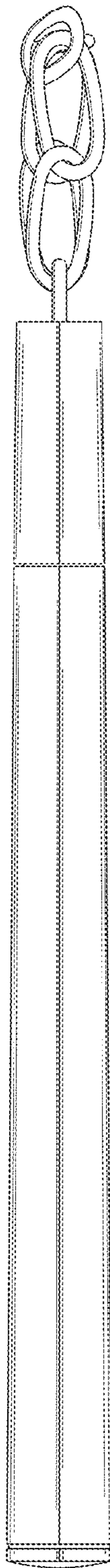
**FIG. 1**



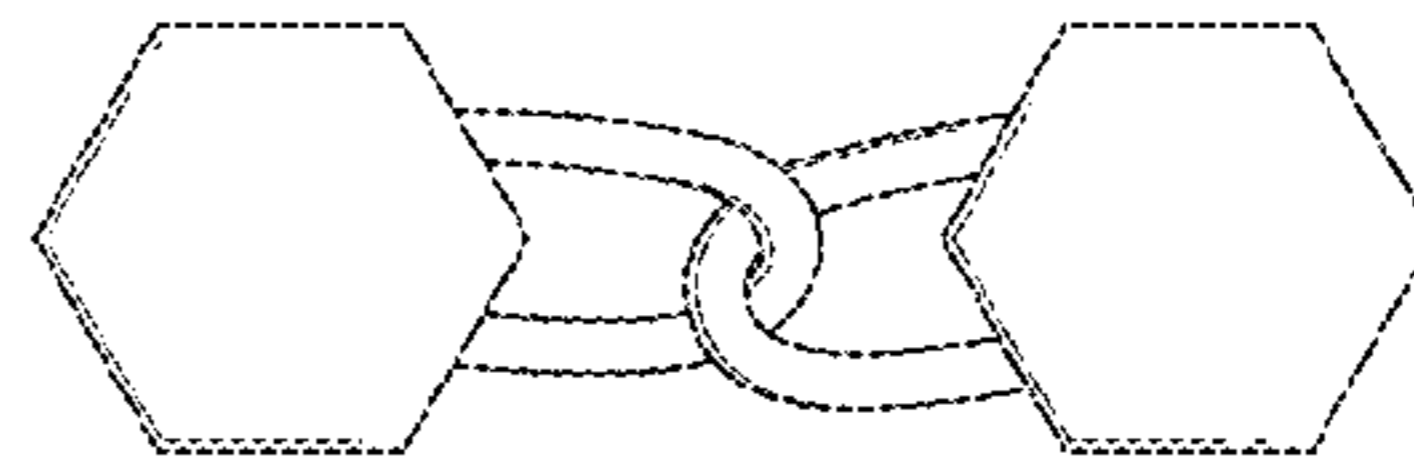
**FIG. 2**



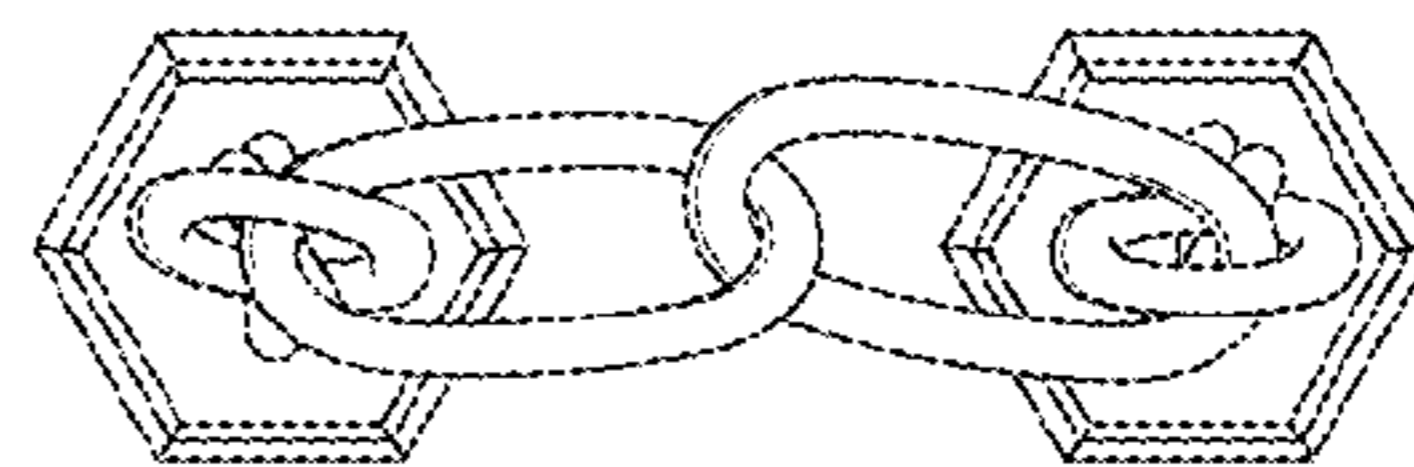
**FIG. 3**



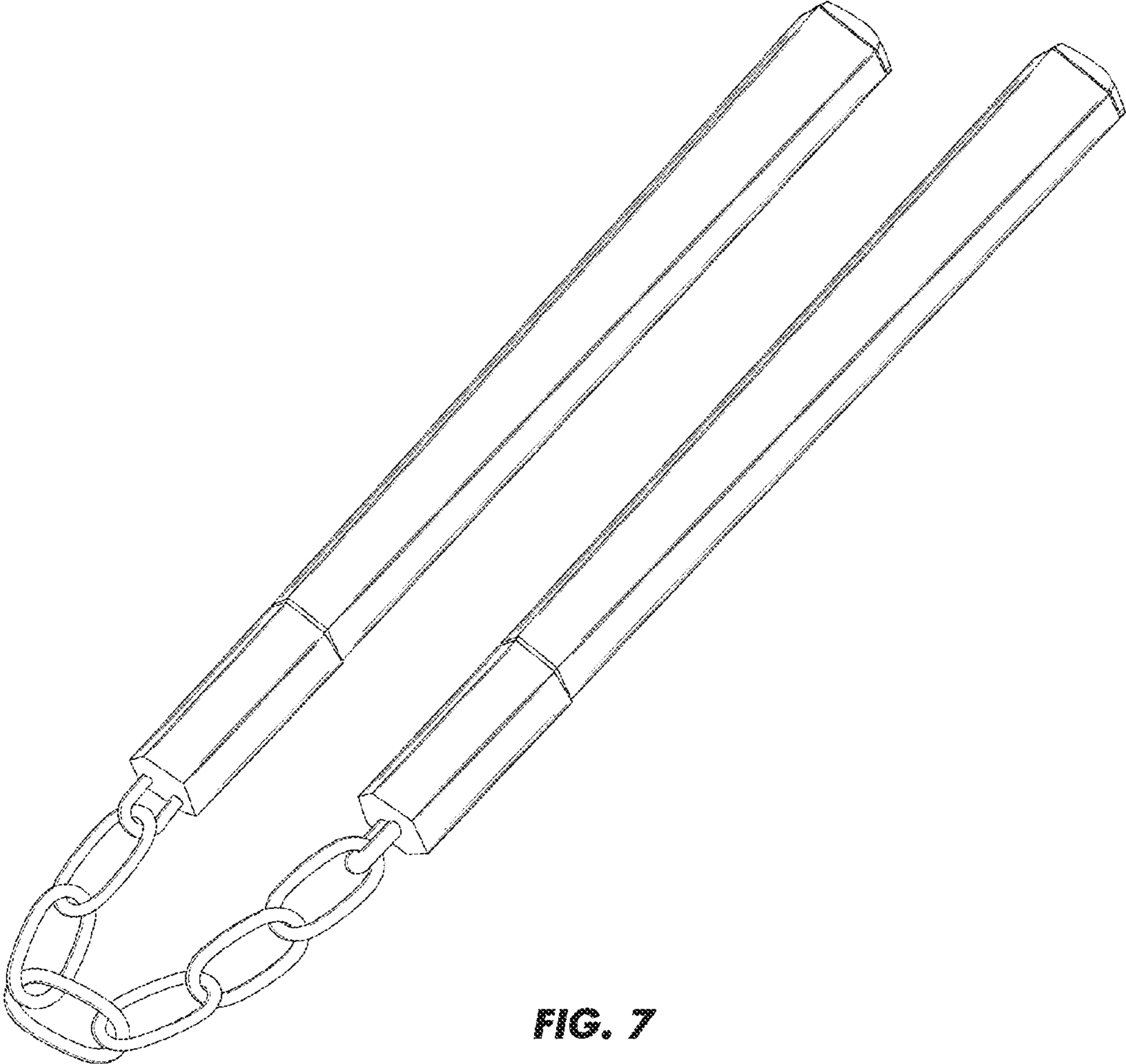
**FIG. 4**



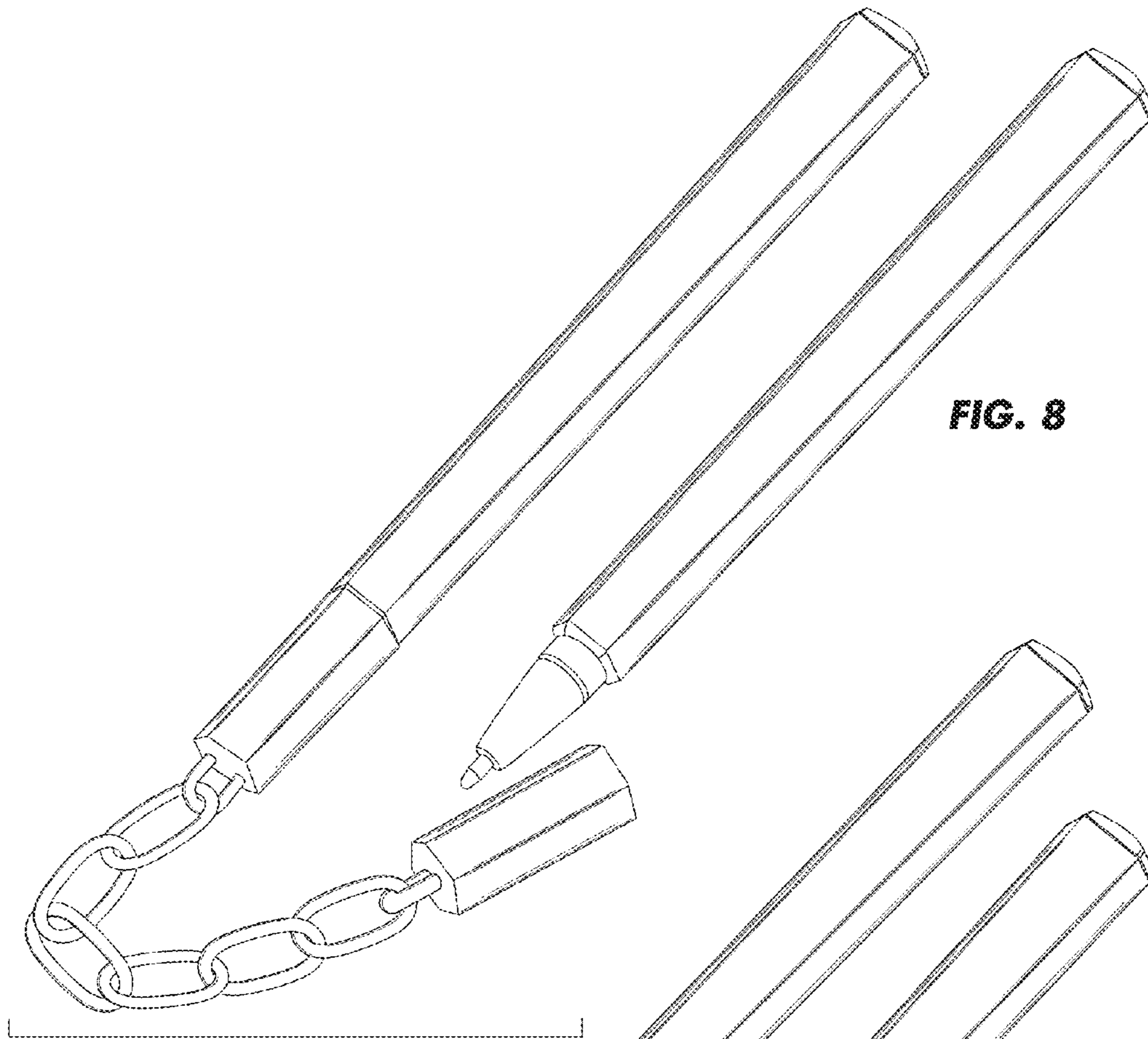
**FIG. 5**



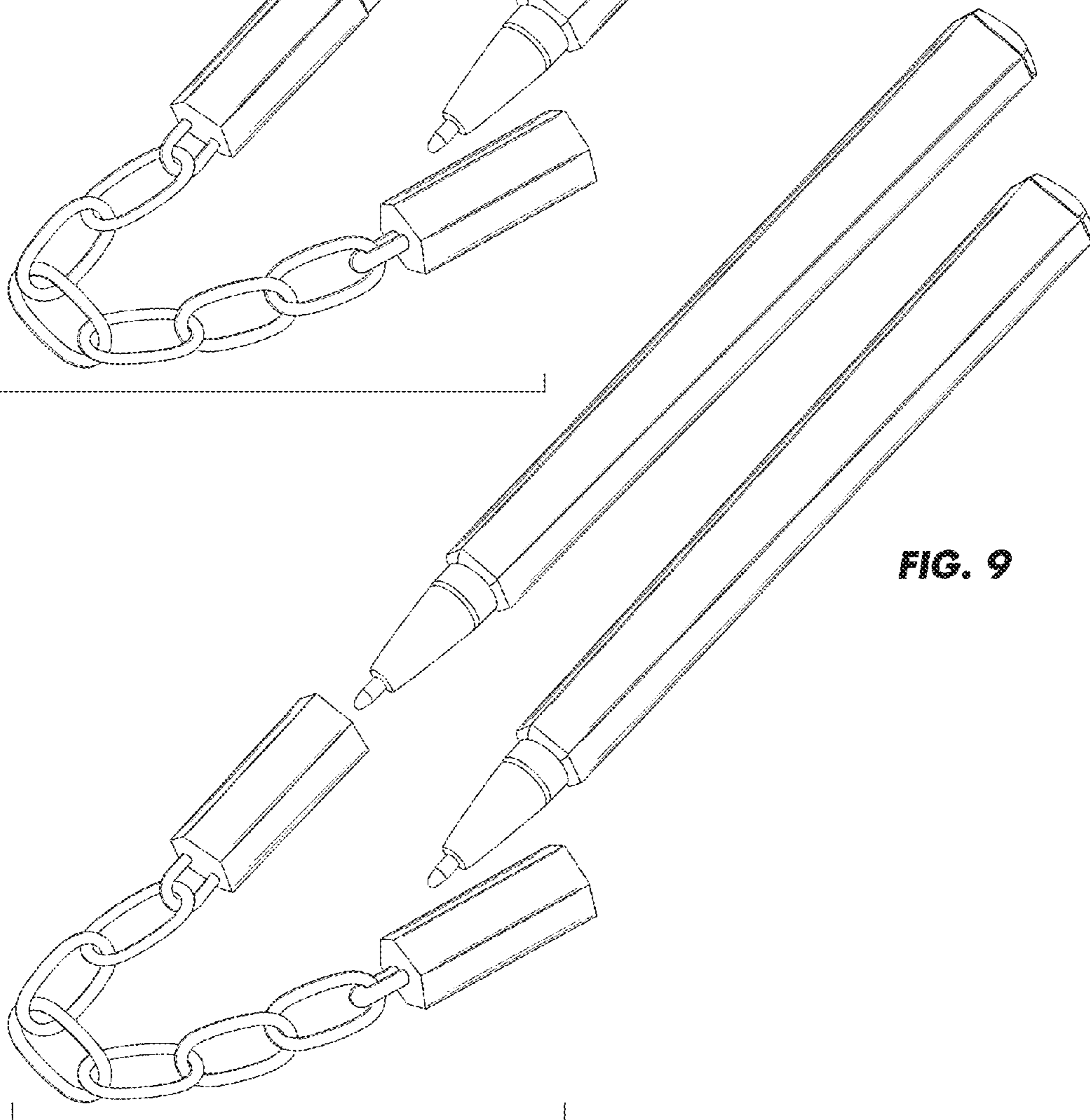
**FIG. 6**



**FIG. 7**



**FIG. 8**



**FIG. 9**