

US00D724143S

(12) **United States Design Patent**  
**Krause et al.**

(10) **Patent No.:** **US D724,143 S**  
(45) **Date of Patent:** **\*\* Mar. 10, 2015**

(54) **FOLDABLE MULTIPLE CAPNOGRAPHY DISPLAY**

D456,910 S 5/2002 Clark et al.  
6,406,922 B2 6/2002 Casterlin et al.  
D460,366 S 7/2002 Winter  
D470,591 S 2/2003 Fulbrook

(71) Applicants: **Gary Krause**, Racine, WI (US); **Mark Spangenberg**, Racine, WI (US)

(Continued)

(72) Inventors: **Gary Krause**, Racine, WI (US); **Mark Spangenberg**, Racine, WI (US)

**OTHER PUBLICATIONS**

U.S. Appl. No. 29/392,143, filed May 18, 2011, Krause.

(73) Assignee: **EKG Concepts, LLC**, Racine, WI (US)

(Continued)

(\*\*) Term: **14 Years**

*Primary Examiner* — T. Chase Nelson

*Assistant Examiner* — Mark Cavanna

(21) Appl. No.: **29/469,236**

(74) *Attorney, Agent, or Firm* — Reinhart Boerner Van Deuren s.c.

(22) Filed: **Oct. 8, 2013**

(51) **LOC (10) Cl.** ..... **19-07**

(57) **CLAIM**

(52) **U.S. Cl.**  
USPC ..... **D19/62**

We claim the ornamental design for a foldable multiple capnography display, as shown and described.

(58) **Field of Classification Search**  
USPC ..... D19/59–64, 1, 21; D24/186, 167;  
434/262, 236; 283/115; 351/242  
See application file for complete search history.

**DESCRIPTION**

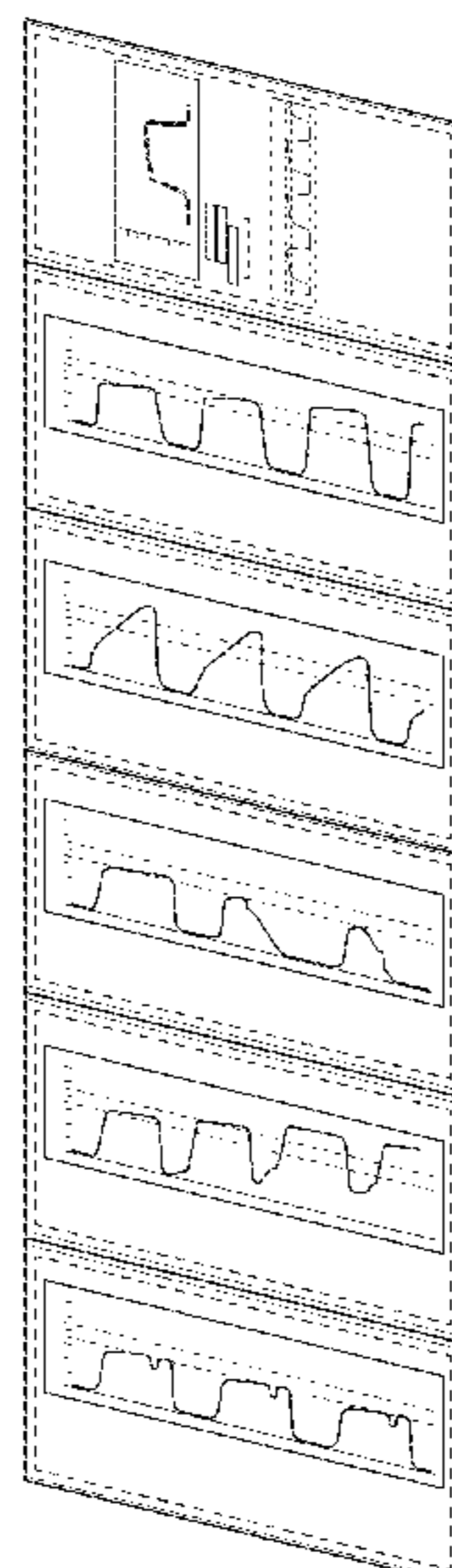
FIG. 1 is a front perspective view of a foldable multiple capnography display showing my new design;  
FIG. 2 is a rear perspective view of the claimed design of FIG. 1;  
FIG. 3 is a front perspective view of the claimed design of FIG. 1 in a partially folded position;  
FIG. 4 is a rear perspective view of the claimed design of FIG. 1 in a partially folded position;  
FIG. 5 is a front view of the claimed design of FIG. 1;  
FIG. 6 is a rear view of the claimed design of FIG. 1;  
FIG. 7 is a left side view of the claimed design of FIG. 1;  
FIG. 8 is a right side view of the claimed design of FIG. 1;  
FIG. 9 is a top view of the claimed design of FIG. 1; and,  
FIG. 10 is a bottom view of the claimed design of FIG. 1.  
The broken lines shown in the drawings are for purposes of illustrating portions of the design that form no part of the claimed design.

(56) **References Cited**

**U.S. PATENT DOCUMENTS**

D215,649 S	10/1969	MacLachlan et al.	
3,792,542 A	2/1974	Cohan	
4,165,890 A	8/1979	Leff	
4,273,540 A *	6/1981	Dill .....	434/236
D260,153 S	8/1981	Koltys	
4,865,549 A *	9/1989	Sonstebly .....	434/262
5,048,870 A	9/1991	Mangini et al.	
D334,597 S	4/1993	Busquets	
D370,259 S	5/1996	Teich	
D377,528 S	1/1997	Teich	
5,636,873 A	6/1997	Sonstebly	
5,713,739 A	2/1998	Yu	
D396,882 S	8/1998	Neal, Jr.	
5,984,368 A	11/1999	Cain	
5,984,685 A	11/1999	Portnoy	
6,024,571 A	2/2000	Renegar	

**1 Claim, 4 Drawing Sheets**



(56)

**References Cited**

U.S. PATENT DOCUMENTS

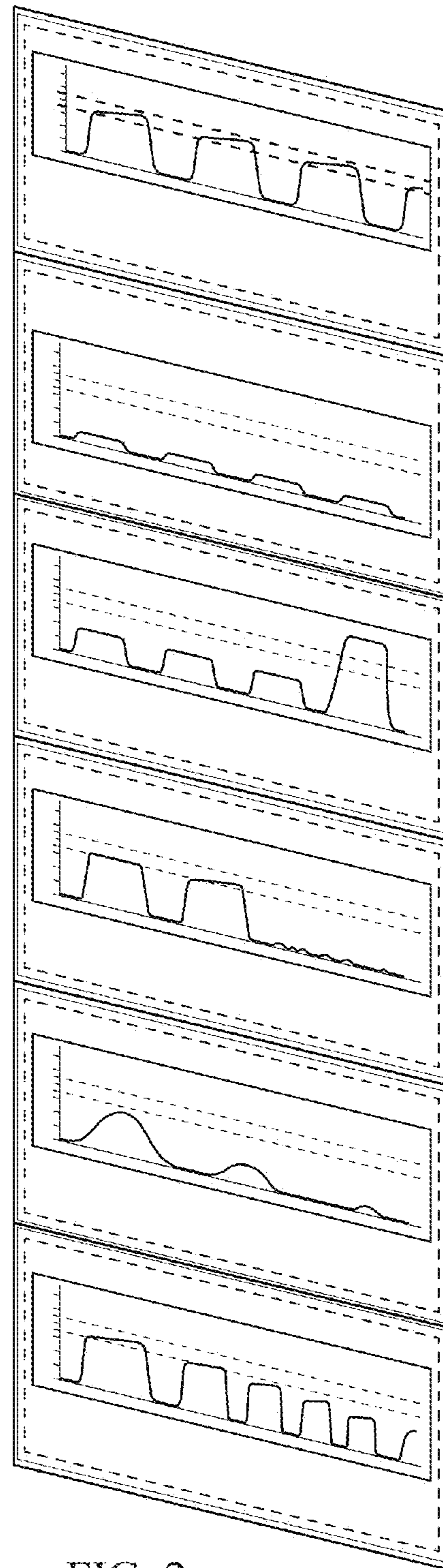
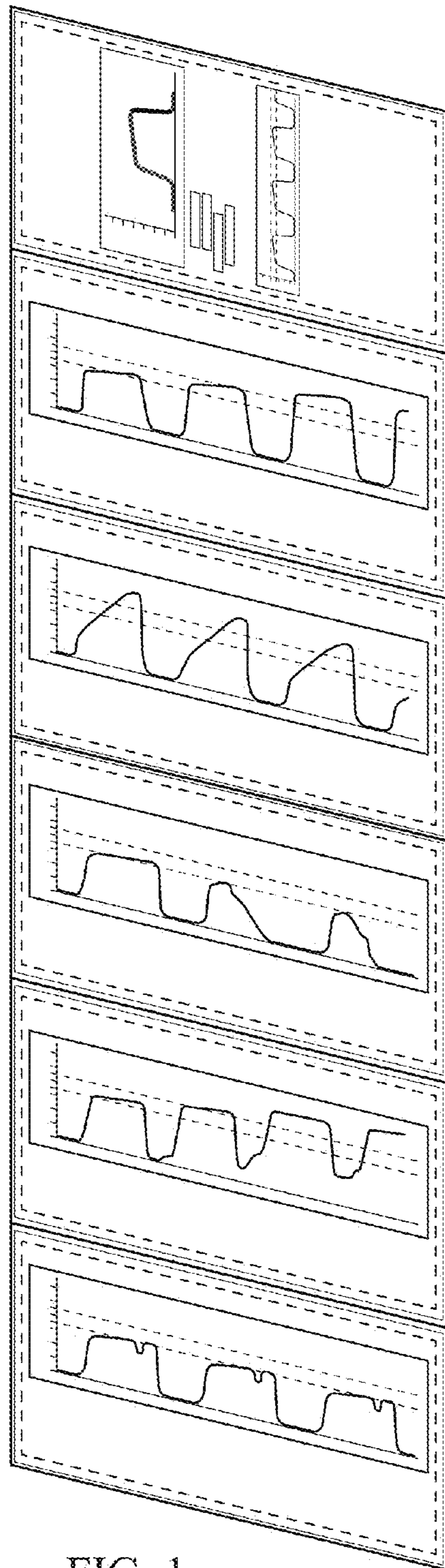
7,264,356 B2 \* 9/2007 Jones et al. .... 351/242  
 D555,724 S \* 11/2007 Brodie ..... D19/21  
 D561,187 S 2/2008 Kunioka et al.  
 D587,145 S 2/2009 Nakatsubo et al.  
 D588,029 S 3/2009 Nakatsubo et al.  
 D589,380 S 3/2009 Nakatsubo et al.  
 D593,613 S 6/2009 Langan et al.  
 D596,965 S 7/2009 Nakatsubo et al.  
 D602,166 S 10/2009 Coyne, III et al.  
 D602,167 S 10/2009 Coyne, III et al.  
 D613,419 S 4/2010 Coyne, III et al.  
 D636,023 S 4/2011 Krause  
 D641,040 S 7/2011 Tetrault  
 D650,009 S 12/2011 Tetrault  
 D659,189 S 5/2012 Krause  
 D681,732 S 5/2013 Braflat  
 D686,660 S \* 7/2013 Wang ..... D19/1  
 2008/0038704 A1 2/2008 Aruffo et al.

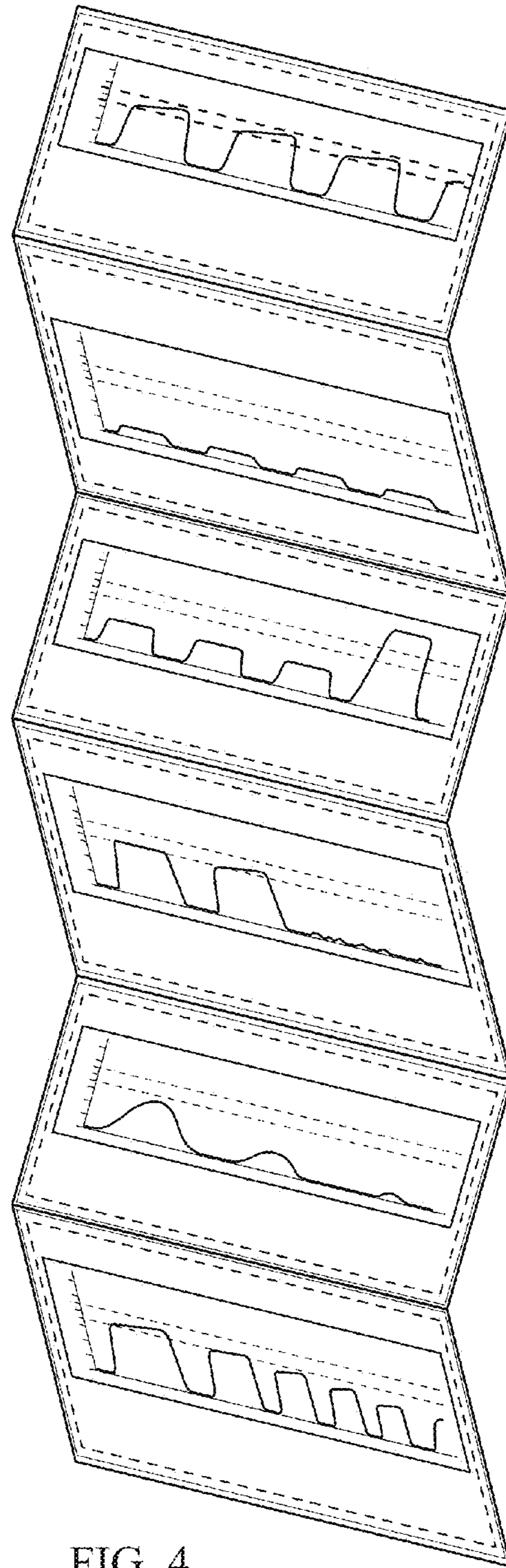
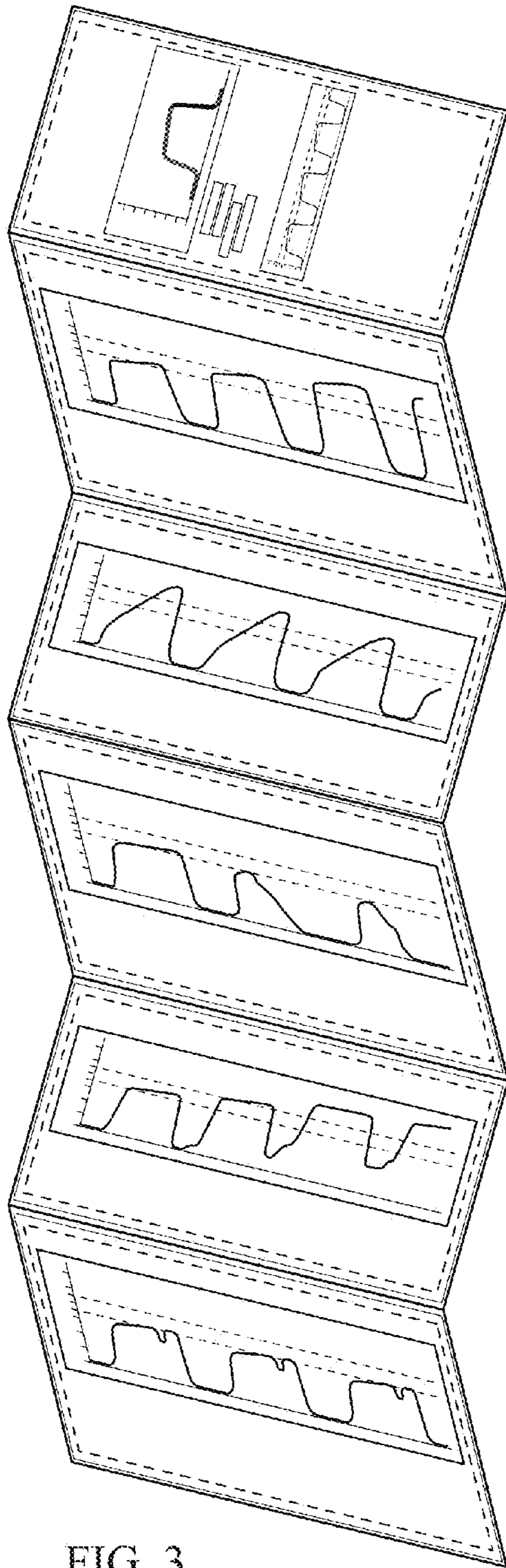
2008/0081322 A1 4/2008 Fosbrook  
 2008/0153071 A1 6/2008 Stillman  
 2012/0064496 A1 3/2012 Krause  
 2012/0065531 A1 3/2012 Krause  
 2013/0052624 A1 2/2013 Saps et al.

OTHER PUBLICATIONS

U.S. Appl. No. 29/386,658, filed Mar. 3, 2011, Krause.  
 U.S. Appl. No. 29/465,124, filed Aug. 23, 2013, Krause.  
 U.S. Appl. No. 29/466,504, filed Sep. 9, 2013, Krause et al.  
 The ECG Ruler, American Heart Association, believed to be publicly available before Sep. 2009, 1 page.  
 Hawelka, "Cardiac Arrhythmia—Medical Pocket Cards," Jan. 10, 2007, cited in Mar. 19, 2013 Office Action in copending U.S. Appl. No. 12/880,544, 4 pages.  
 Basic Arrhythmia Flashcard Set, Vanderbilt Nursing, <http://www.mc.vanderbilt.edu/root/vumc.php?site=vanderbiltnursing&doc=18729>, believed to be publicly available before May 2011, 3 pages.

\* cited by examiner





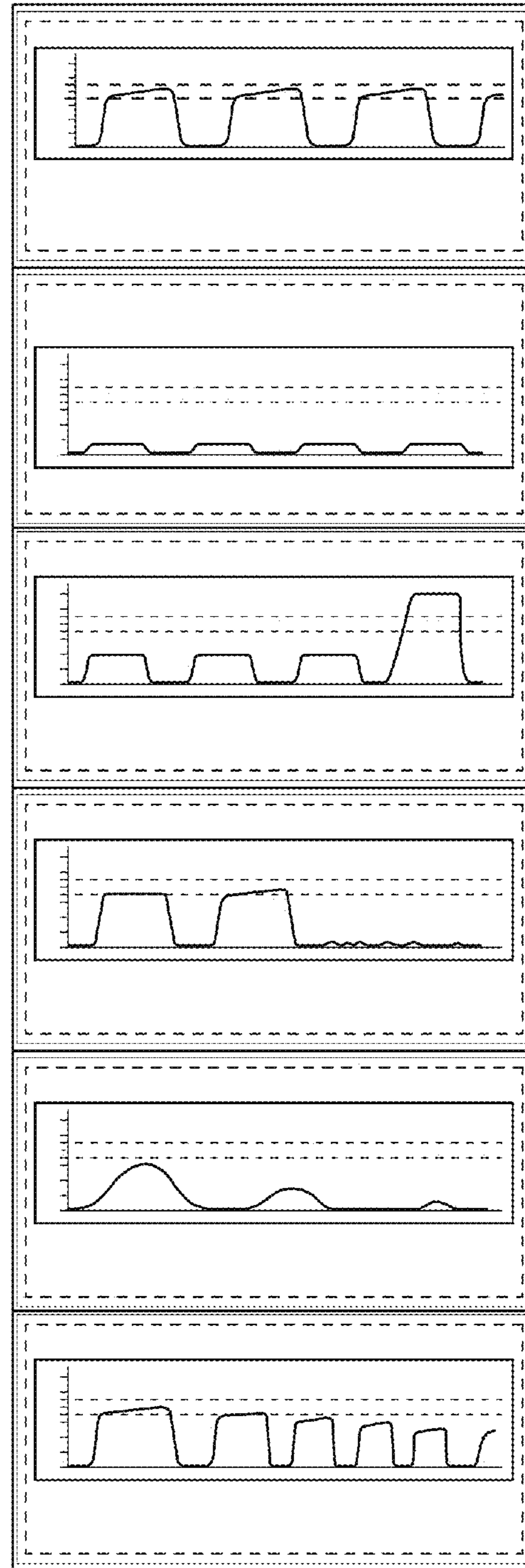
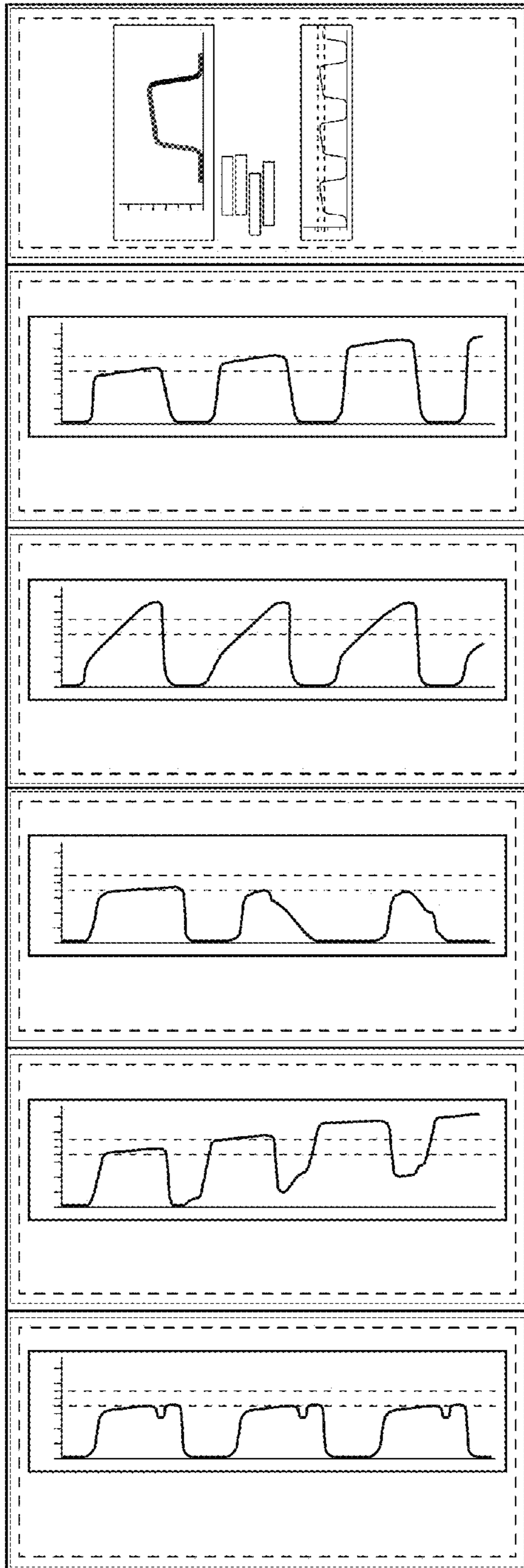




FIG. 7



FIG. 8



FIG. 9



FIG. 10