



US00D724138S

(12) **United States Design Patent**
Amann et al.

(10) **Patent No.:** **US D724,138 S**
(45) **Date of Patent:** **** Mar. 10, 2015**

(54) **LASER PRINTER TONER CARTRIDGE**

(56) **References Cited**

(71) Applicant: **Lexmark International, Inc.**,
Lexington, KY (US)

U.S. PATENT DOCUMENTS

(72) Inventors: **Mark William Amann**, Lexington, KY
(US); **James Daniel Anderson, Jr.**,
Harrodsburg, KY (US); **Charles Alan**
Bast, Winchester, KY (US); **Billy Joe**
Jones, Winchester, KY (US); **Michael**
Craig Leemhuis, Nicholasville, KY
(US); **Thomas Eugene Pangburn**,
Winchester, KY (US)

D478,614	S	*	8/2003	Numagami et al.	D18/40
D574,038	S	*	7/2008	Sakabe	D18/43
D587,304	S	*	2/2009	Murayama et al.	D18/43
D650,413	S	*	12/2011	Murata	D18/43
D652,863	S	*	1/2012	Murata	D18/43
D675,672	S	*	2/2013	Ohta et al.	D18/43
8,649,705	B2	*	2/2014	Nozawa et al.	399/111
8,761,639	B1	*	6/2014	Leemhuis et al.	399/120
D712,462	S	*	9/2014	Koshimori et al.	D18/43
2014/0205328	A1	*	7/2014	Ota	399/260

OTHER PUBLICATIONS

Design U.S. Appl. No. 29/491,866, filed May 27, 2014.

(73) Assignee: **Lexmark International, Inc.**,
Lexington, KY (US)

* cited by examiner

(**) Term: **14 Years**

Primary Examiner — Eric Goodman

Assistant Examiner — Amy Wierenga

(21) Appl. No.: **29/491,865**

(74) *Attorney, Agent, or Firm* — Justin M Tromp

(22) Filed: **May 27, 2014**

(57) **CLAIM**

The ornamental design for a laser printer toner cartridge, as shown and described.

(51) **LOC (10) Cl.** **16-03**

DESCRIPTION

(52) **U.S. Cl.**
USPC **D18/43**; D18/56

(58) **Field of Classification Search**

CPC G03G 15/0832; G03G 15/0834; G03G
15/0836; G03G 15/0837; G03G 15/0867;
G03G 15/0868; G03G 15/0872; G03G
15/0881; G03G 15/0886; G03G 15/0877;
G03G 15/0898; G03G 15/50; G03G 15/5016;
G03G 225/0668

FIG. 1 is a front, right side perspective view of a laser printer toner cartridge;

FIG. 2 is a rear, left side perspective view thereof;

FIG. 3 is a rear, right side perspective view thereof;

FIG. 4 is a front elevation view thereof;

FIG. 5 is a right side elevation view thereof;

FIG. 6 is a rear elevation view thereof;

FIG. 7 is a left side elevation view thereof;

FIG. 8 is a top plan view thereof; and,

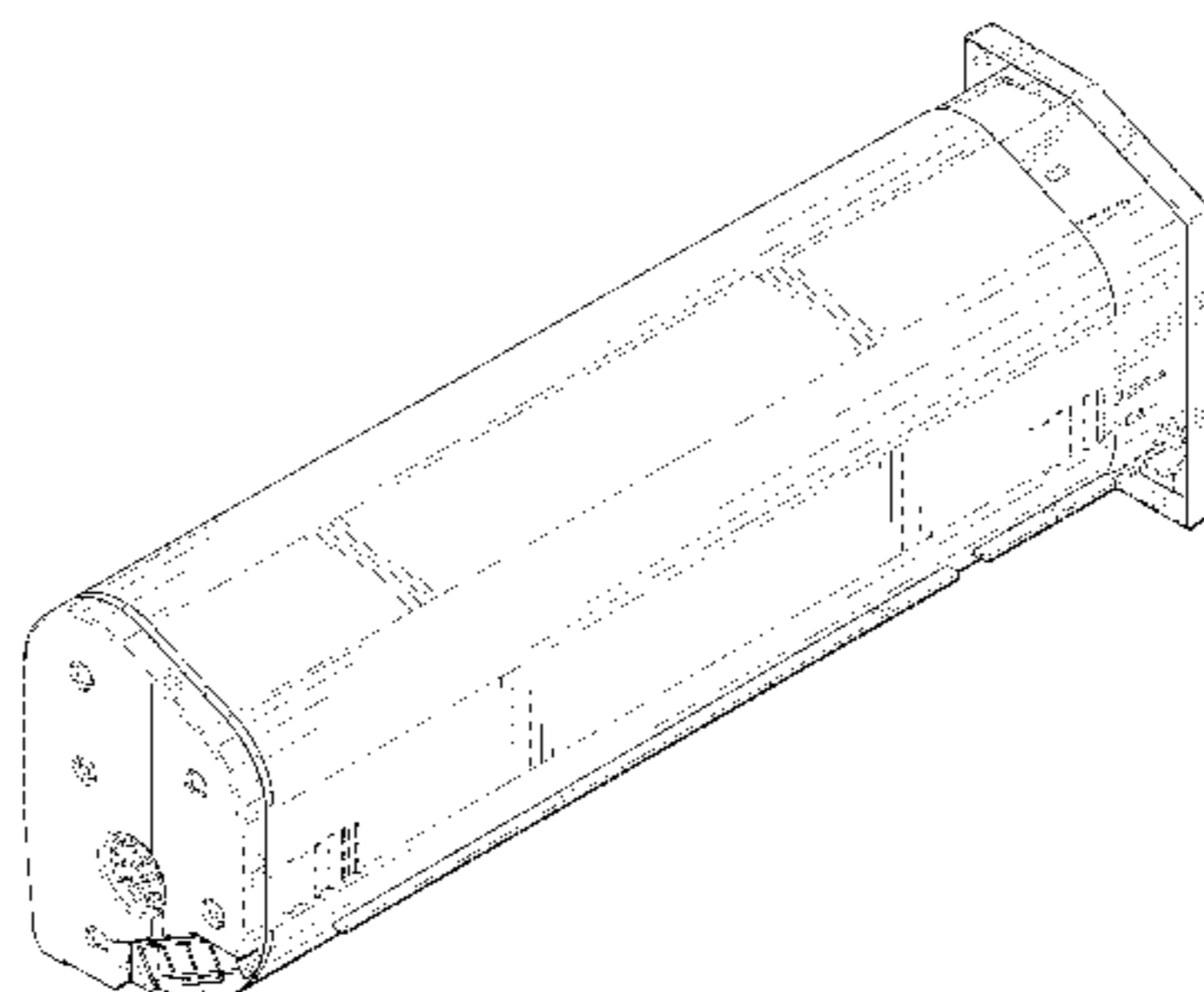
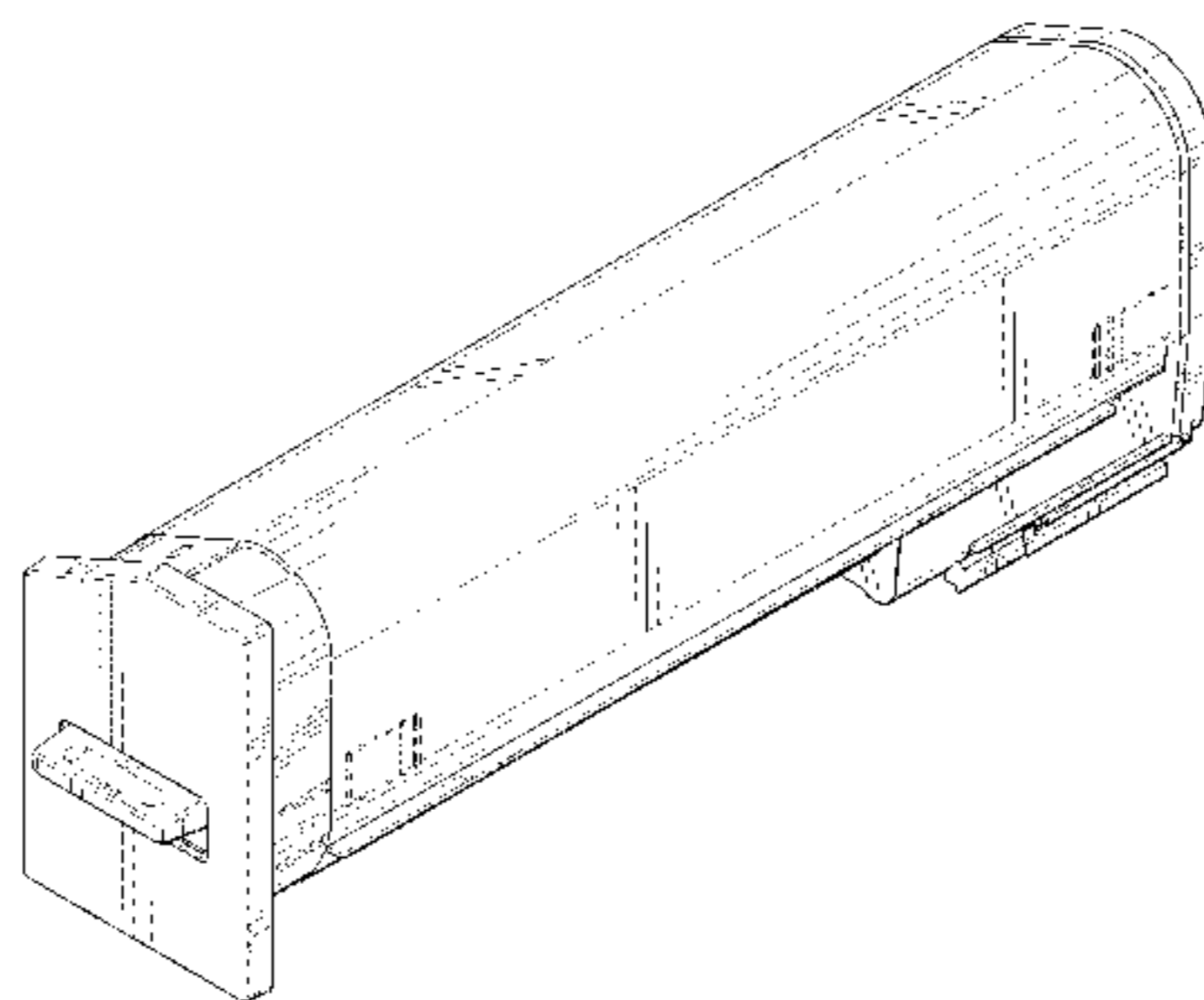
FIG. 9 is a bottom plan view thereof.

The features shown in broken lines depict environmental subject matter only and form no part of the claimed design.

USPC D14/471; D18/12, 36, 40, 43, 44, 50,
D18/55, 56, 99; 347/49, 50, 197, 222;
399/11, 106, 119, 120, 230, 258, 262

See application file for complete search history.

1 Claim, 7 Drawing Sheets



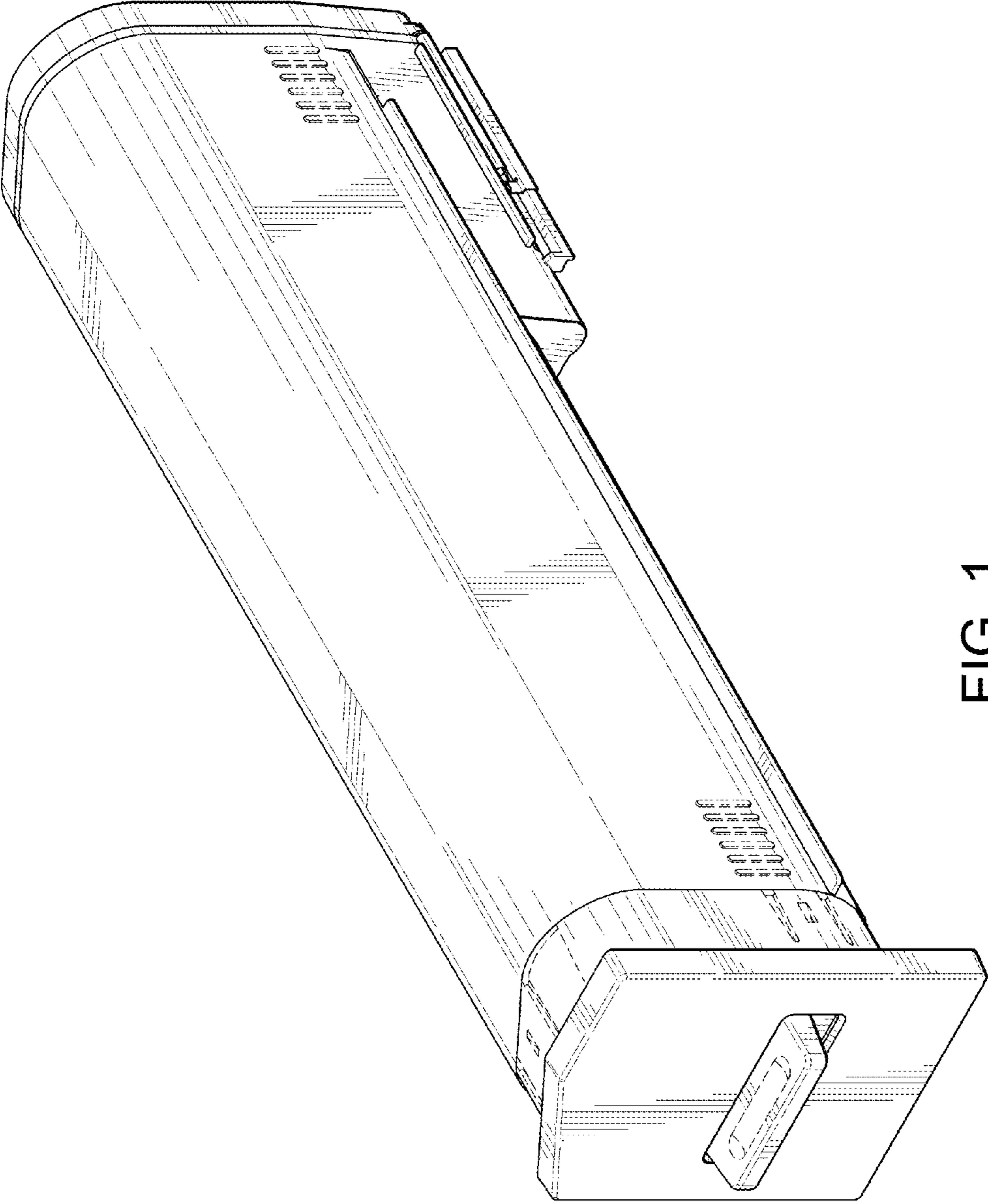


FIG. 1

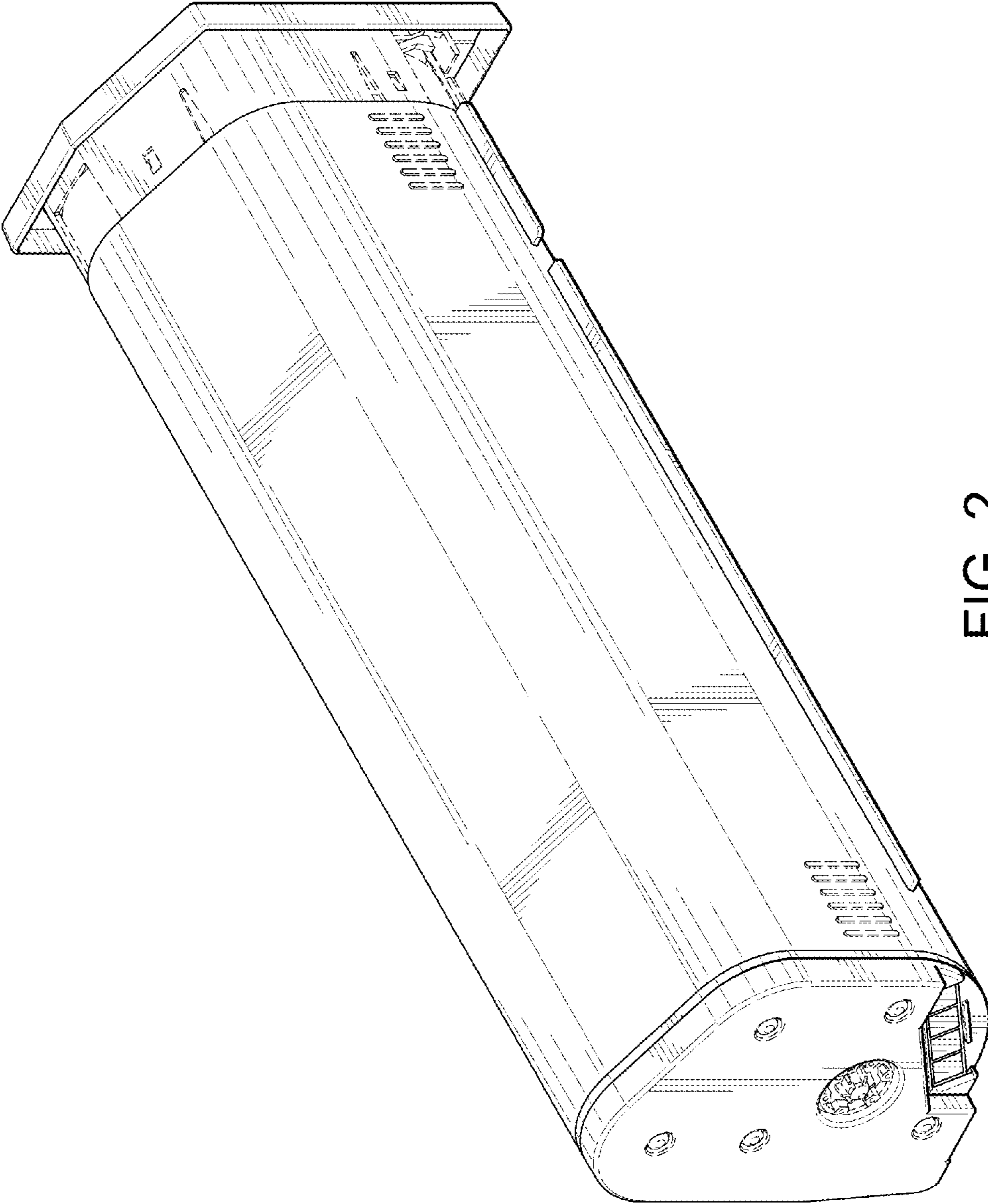


FIG. 2

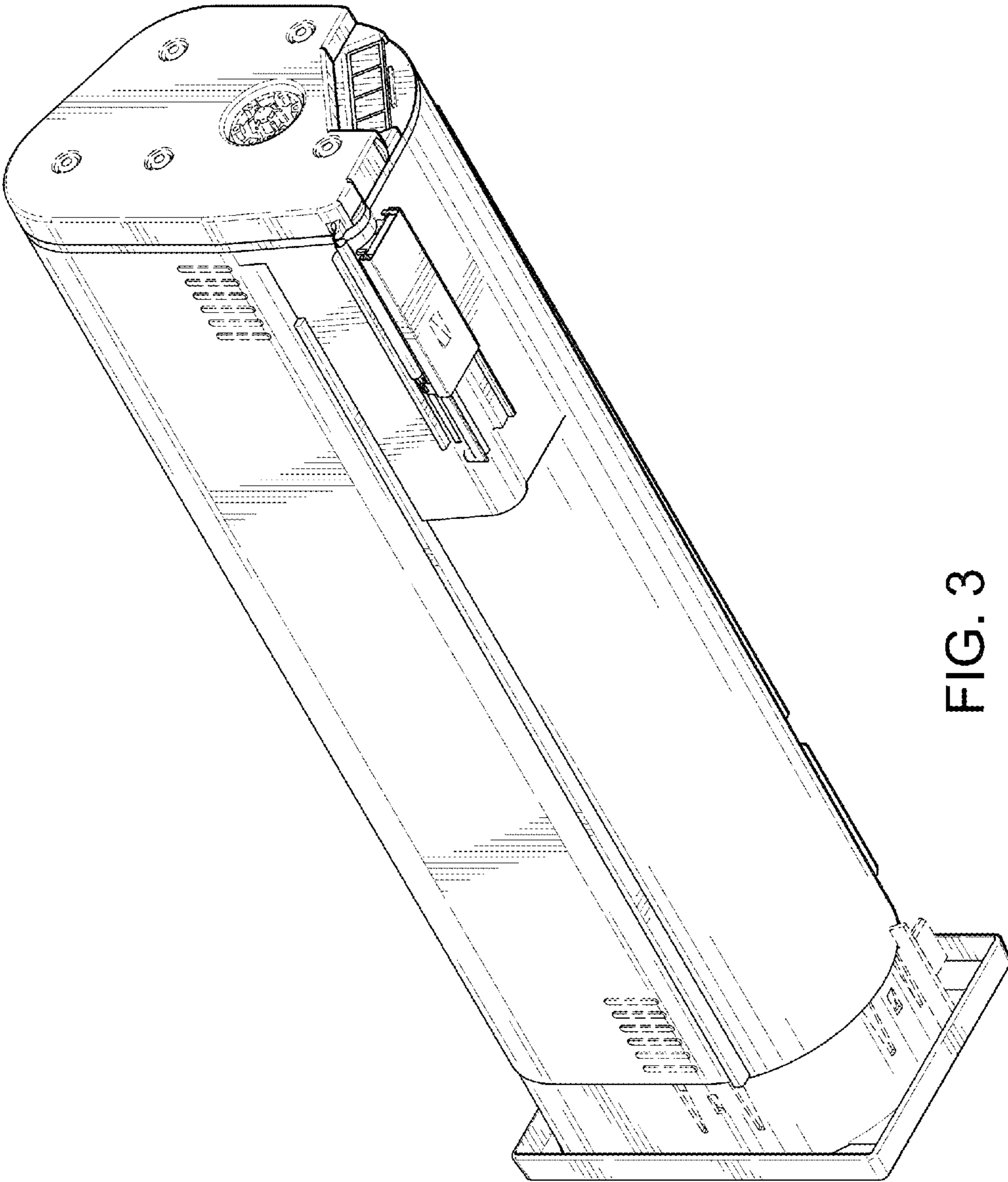


FIG. 3

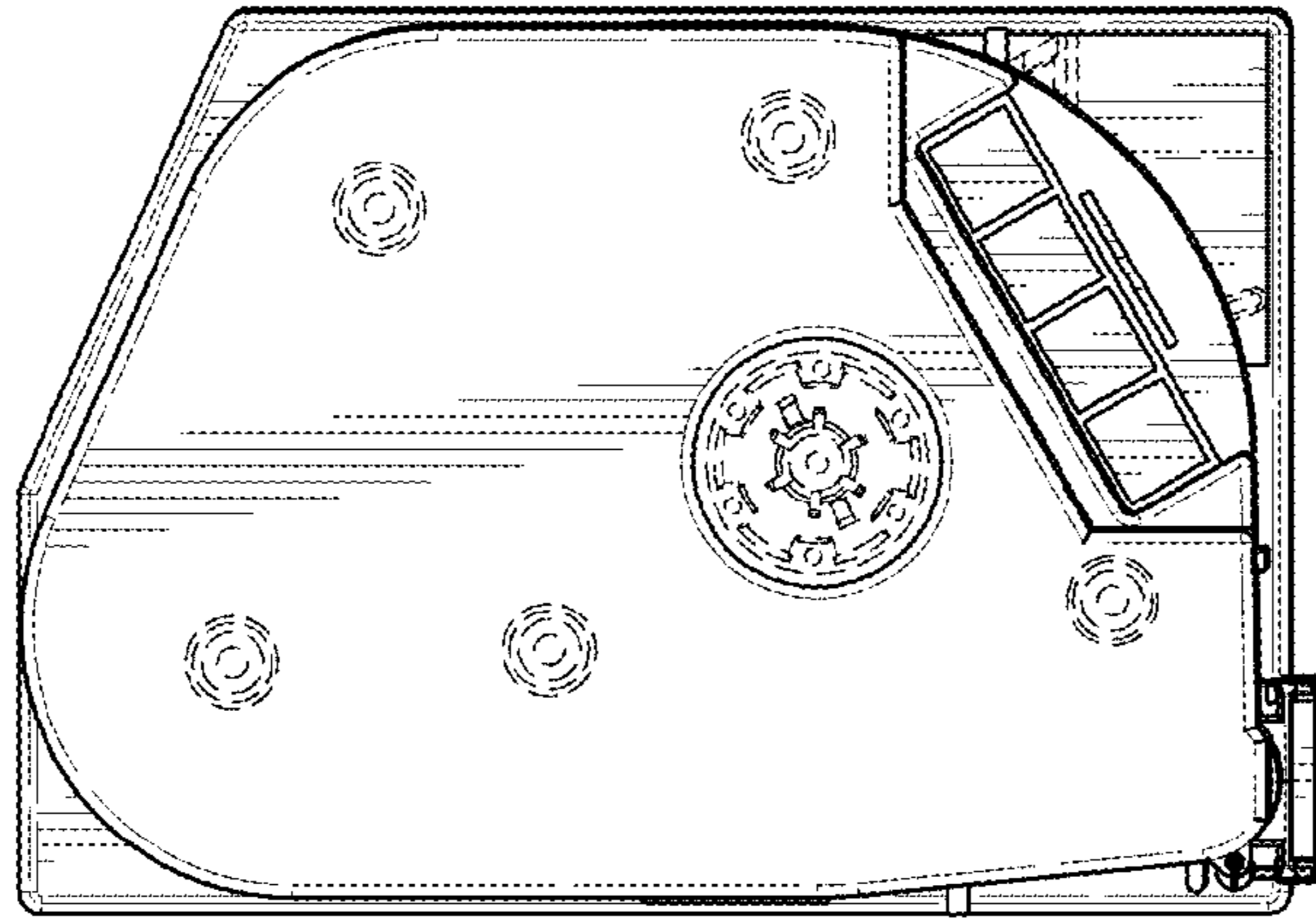


FIG. 6

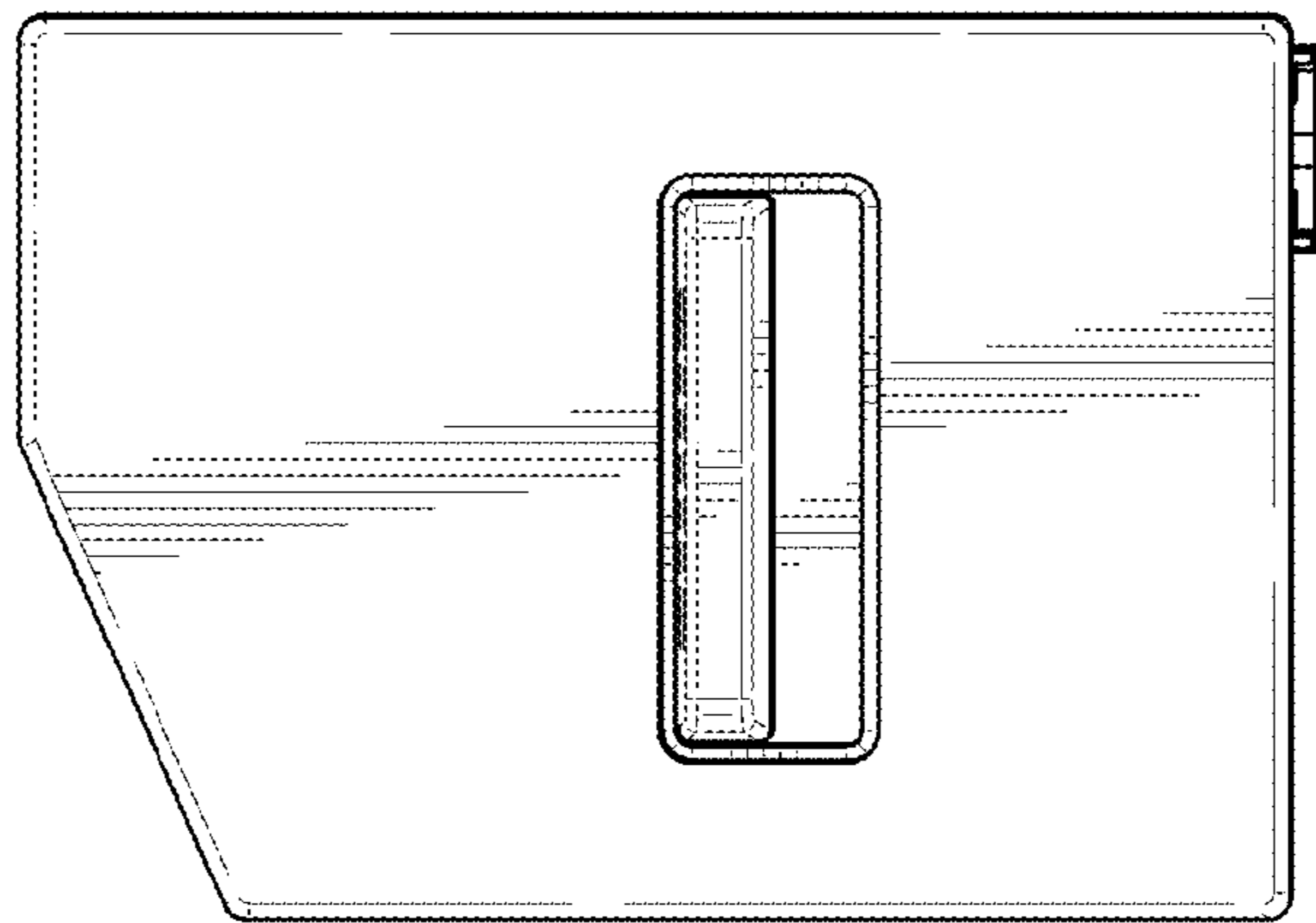


FIG. 4

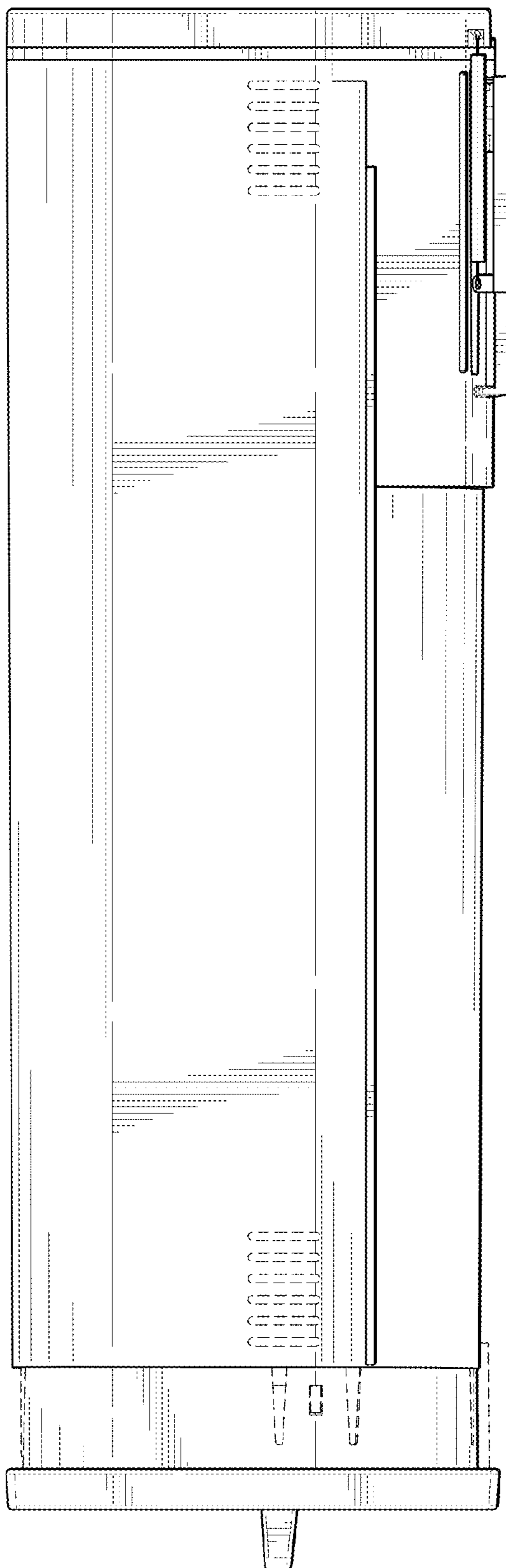


FIG. 5

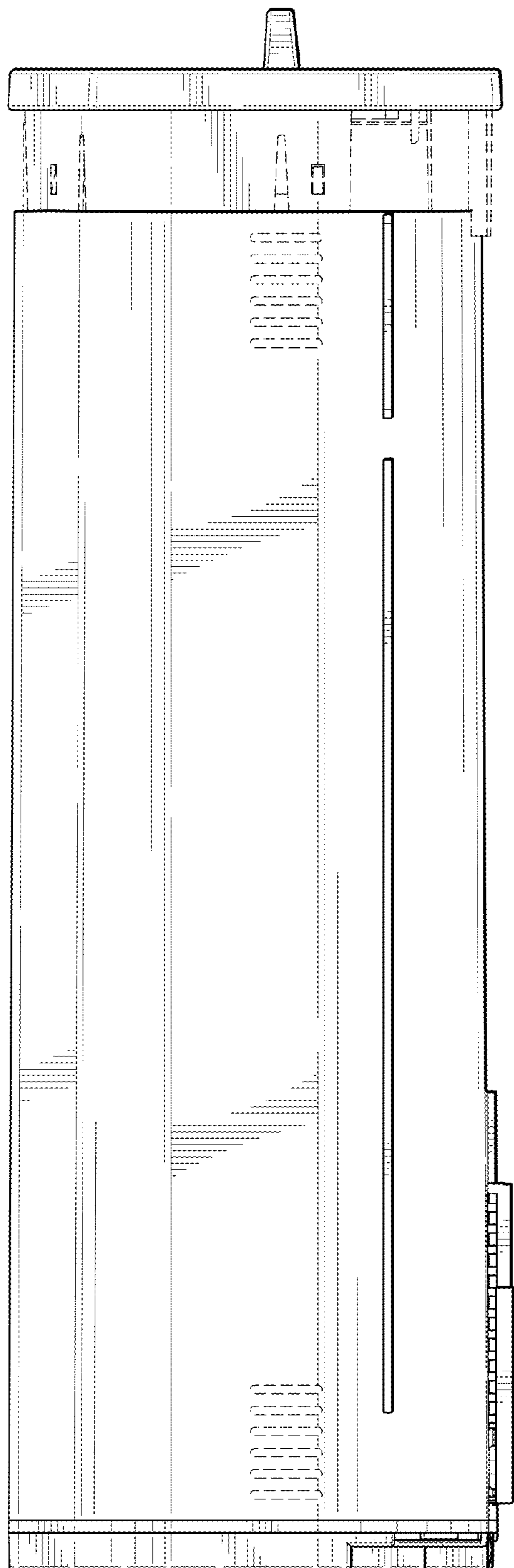


FIG. 7

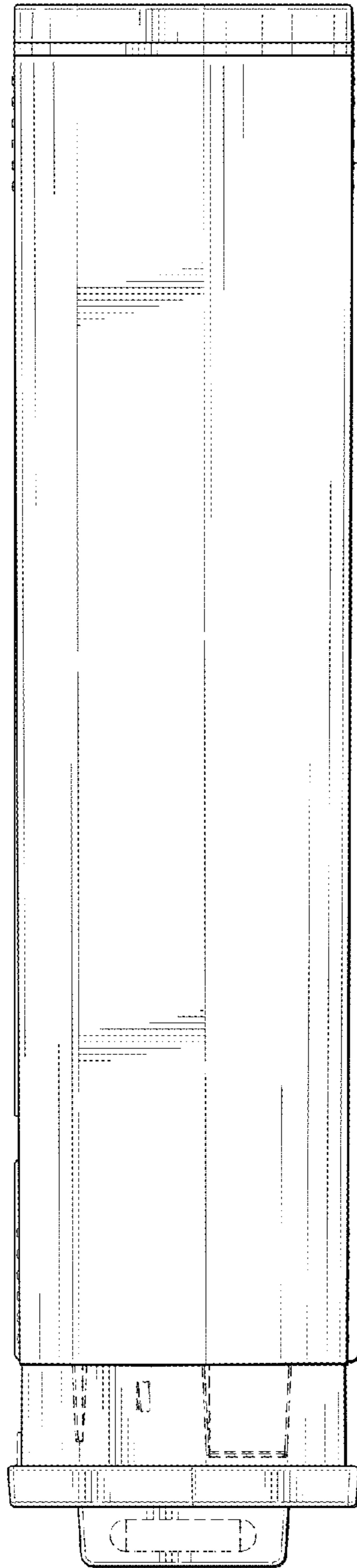


FIG. 8

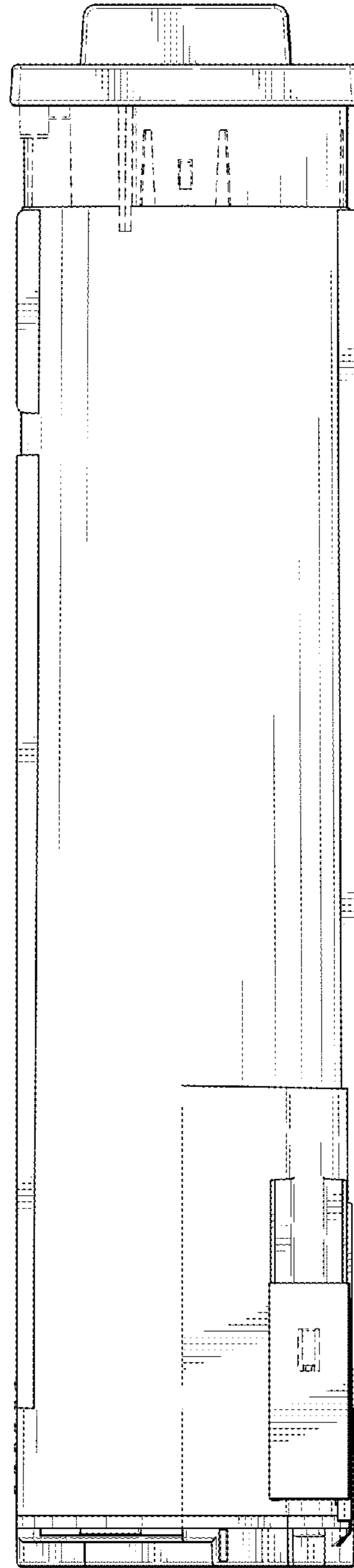


FIG. 9