



US00D724134S

(12) **United States Design Patent**
Wu

(10) **Patent No.:** **US D724,134 S**
(45) **Date of Patent:** **** Mar. 10, 2015**

- (54) **FRAME OF AN EYEWEAR**
- (71) Applicant: **T-Link PPE Ltd**, Taipei (TW)
- (72) Inventor: **Tai-I Wu**, Taipei (TW)
- (73) Assignee: **T-Link PPE Ltd**, NeiHu Dist., Taipei (TW)
- (**) Term: **14 Years**
- (21) Appl. No.: **29/503,782**
- (22) Filed: **Sep. 30, 2014**
- (51) **LOC (10) Cl.** **16-06**
- (52) **U.S. Cl.**
USPC **D16/315**
- (58) **Field of Classification Search**
CPC G02C 2200/08; G02C 1/06
USPC D16/101, 300-342, 900; D29/109-110;
351/41, 44, 51-52, 62, 158, 92,
351/103-123, 140-153, 63, 59, 45-46;
2/426-432, 447-449, 441, 434-437,
2/13, 15; D21/483, 659-661; D14/372
See application file for complete search history.

- D597,122 S * 7/2009 Daems et al. D16/315
- D607,485 S * 1/2010 Yang D16/315
- D616,013 S * 5/2010 Reed D16/315
- D628,229 S * 11/2010 Fuchs D16/315
- D683,786 S * 6/2013 Miera D16/315
- D694,313 S * 11/2013 Mage D16/315
- D704,764 S * 5/2014 Markovitz et al. D16/315
- D706,857 S * 6/2014 Li D16/315

* cited by examiner

Primary Examiner — Raphael Barkai

(56) **References Cited**

U.S. PATENT DOCUMENTS

- D421,765 S * 3/2000 Hsu D16/326
- D550,753 S * 9/2007 Li D16/315

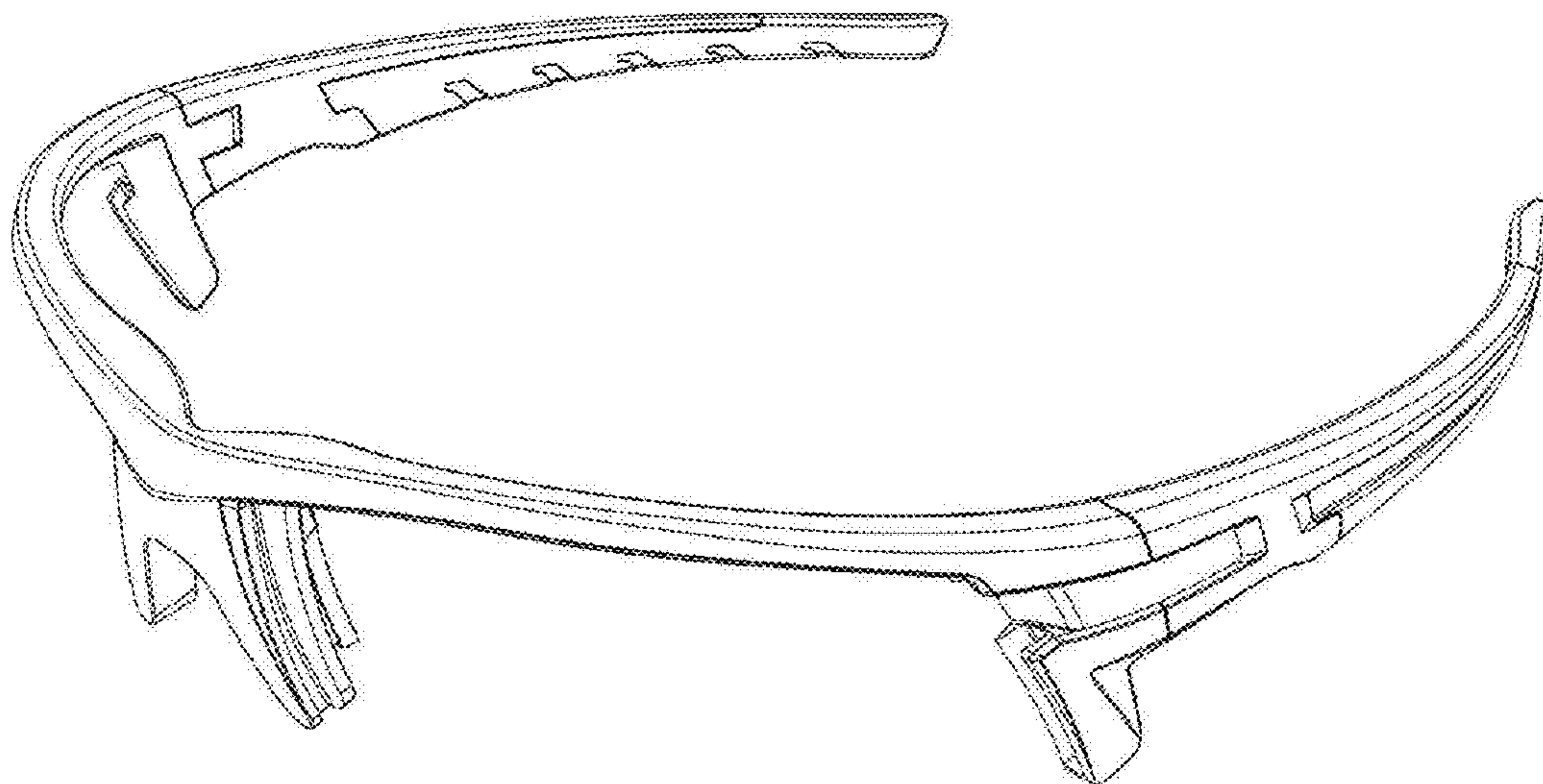
(57) **CLAIM**

The ornamental design for a frame of an eyewear, as shown and described.

DESCRIPTION

FIG. 1 is a perspective view of a frame of an eyewear showing my design;
 FIG. 2 is a front elevational view thereof;
 FIG. 3 is a rear elevational view thereof;
 FIG. 4 is a left side elevational view thereof;
 FIG. 5 is a right side elevational view thereof;
 FIG. 6 is a top plan view thereof; and,
 FIG. 7 is a bottom plan view thereof.

1 Claim, 4 Drawing Sheets



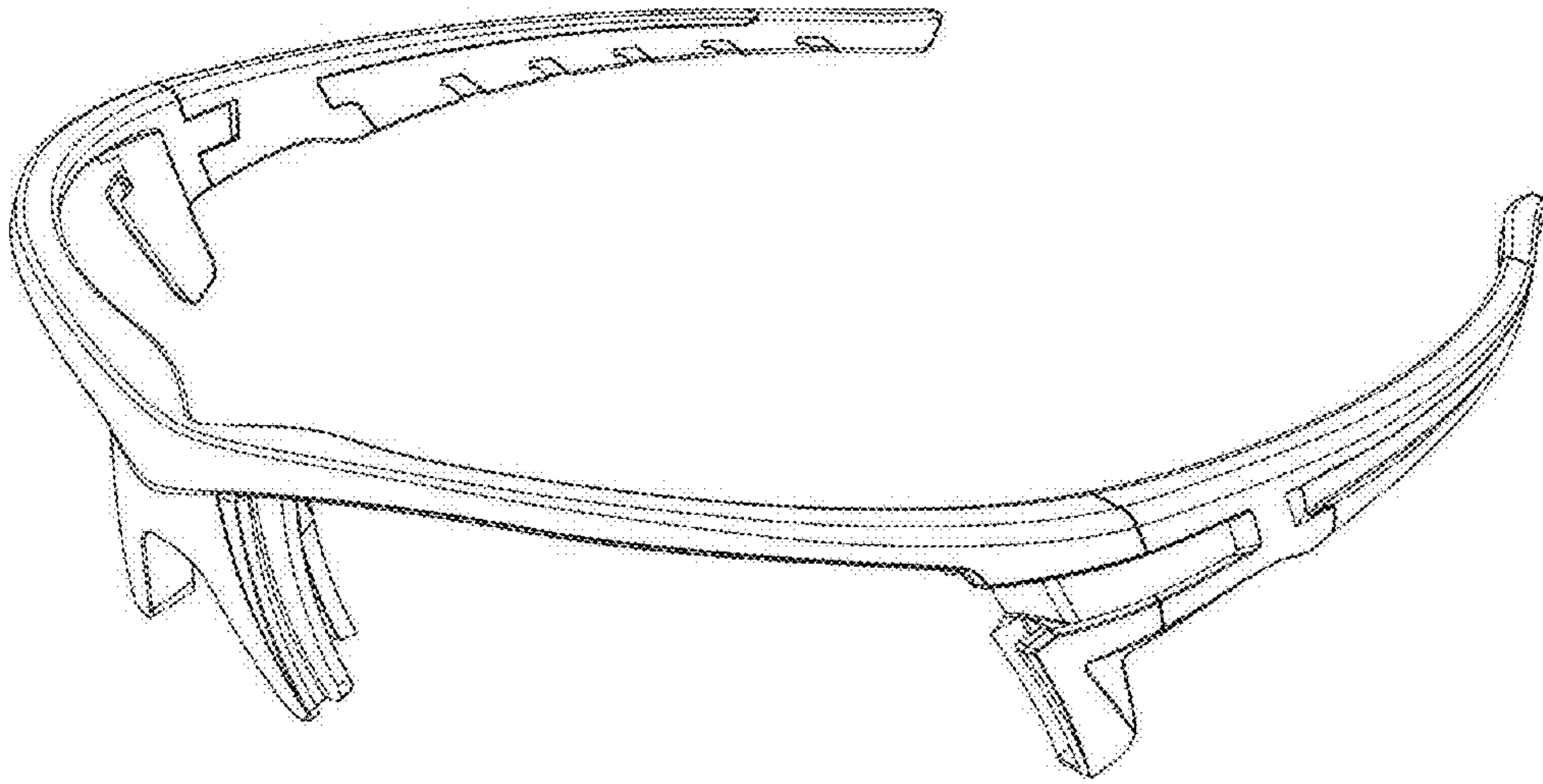


Fig. 1: Perspective view

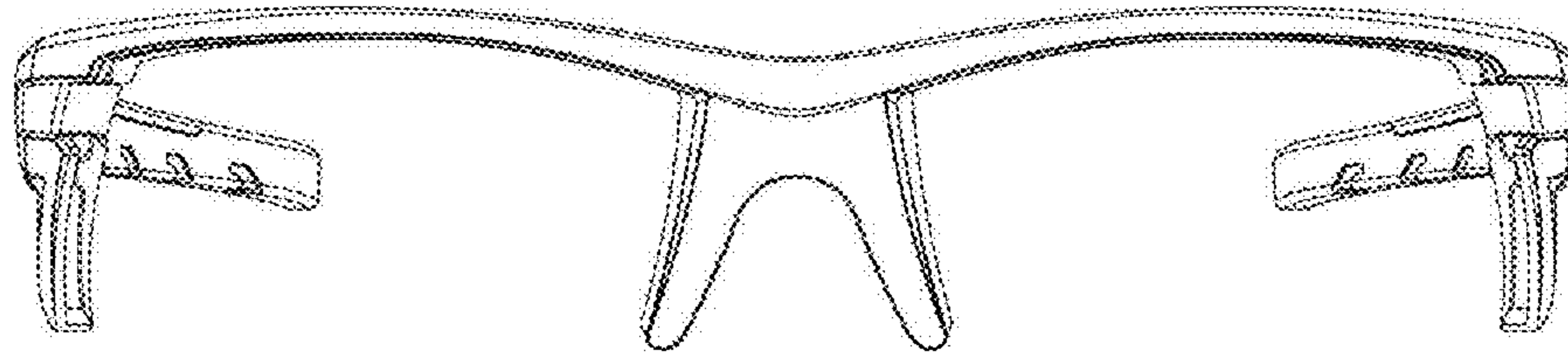


Fig. 2: Front elevational view

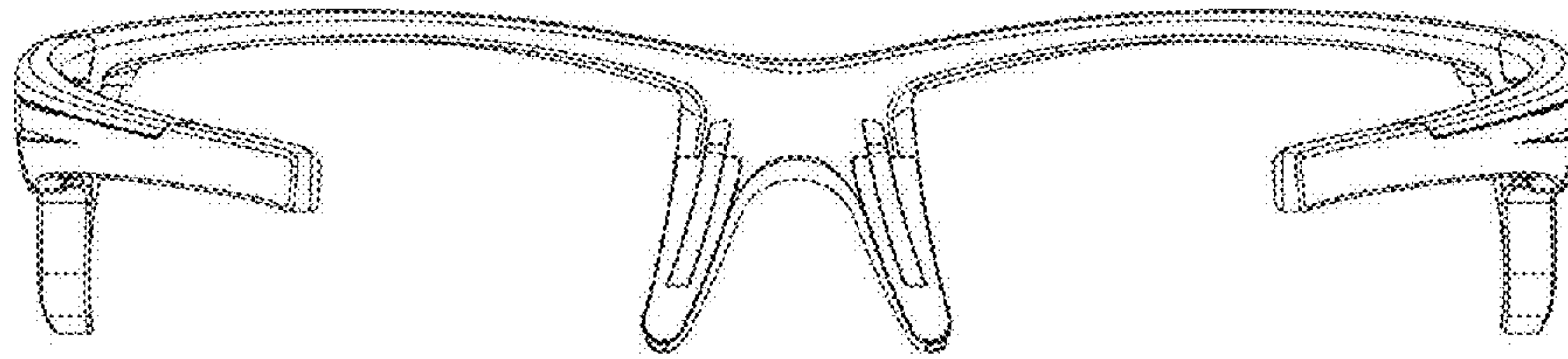


Fig. 3: Rear elevational view

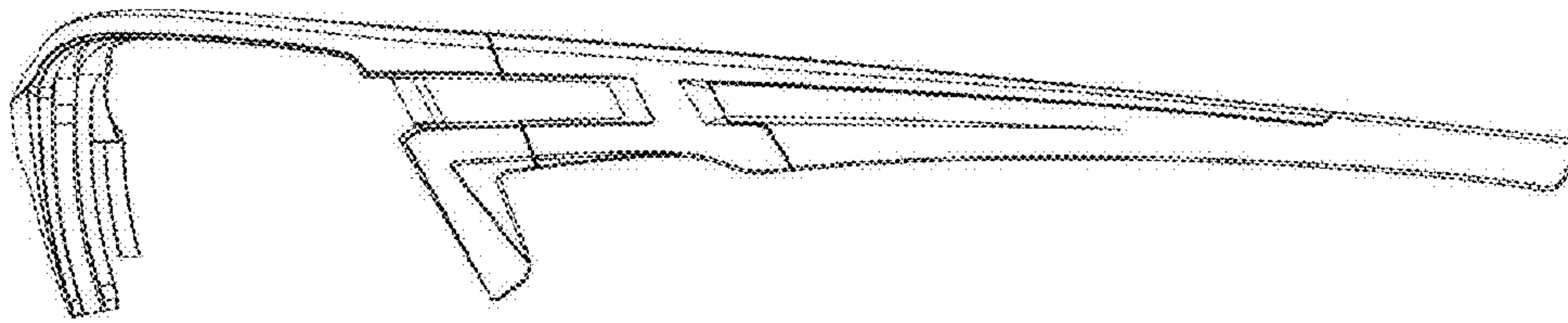


Fig. 4: Left side elevational view

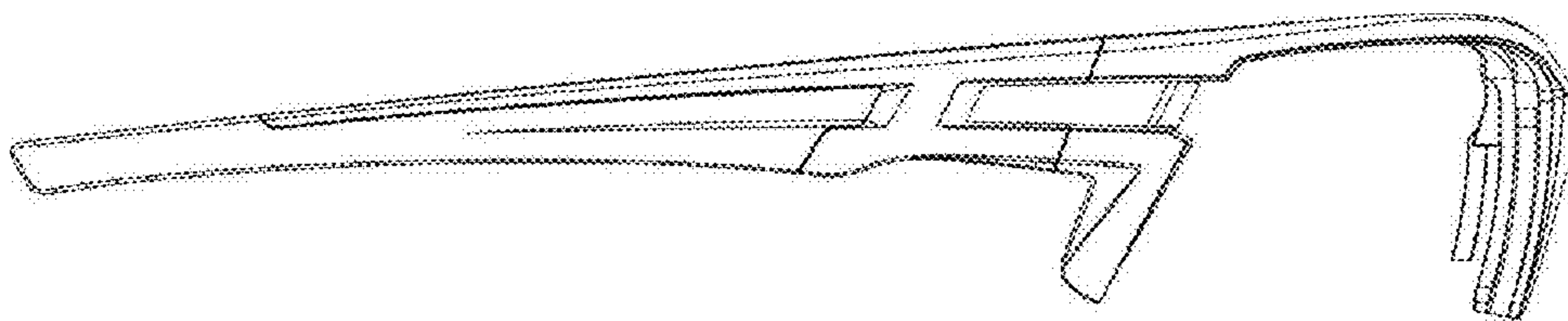


Fig. 5: Right side elevational view

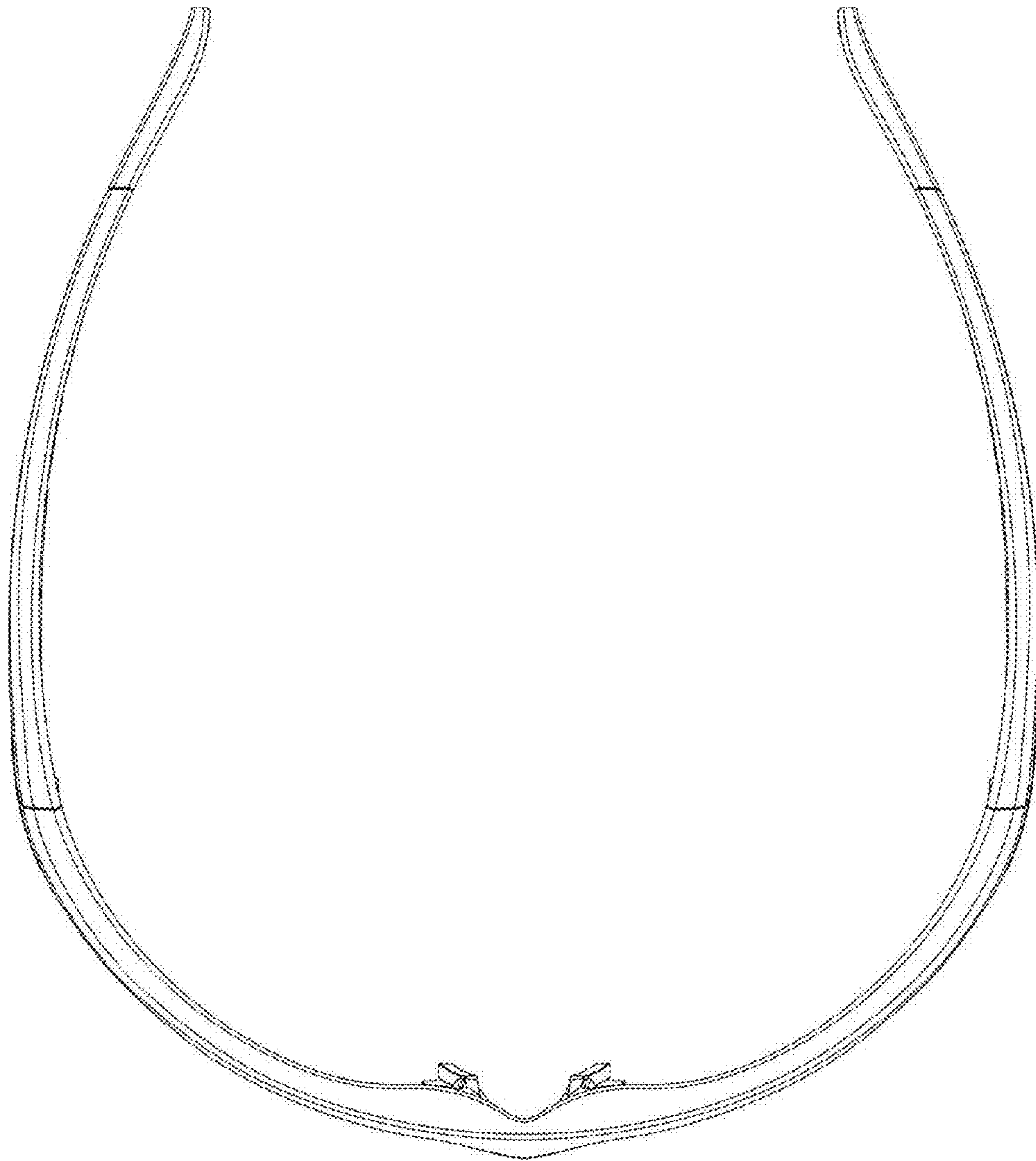


Fig. 6: Top plan view

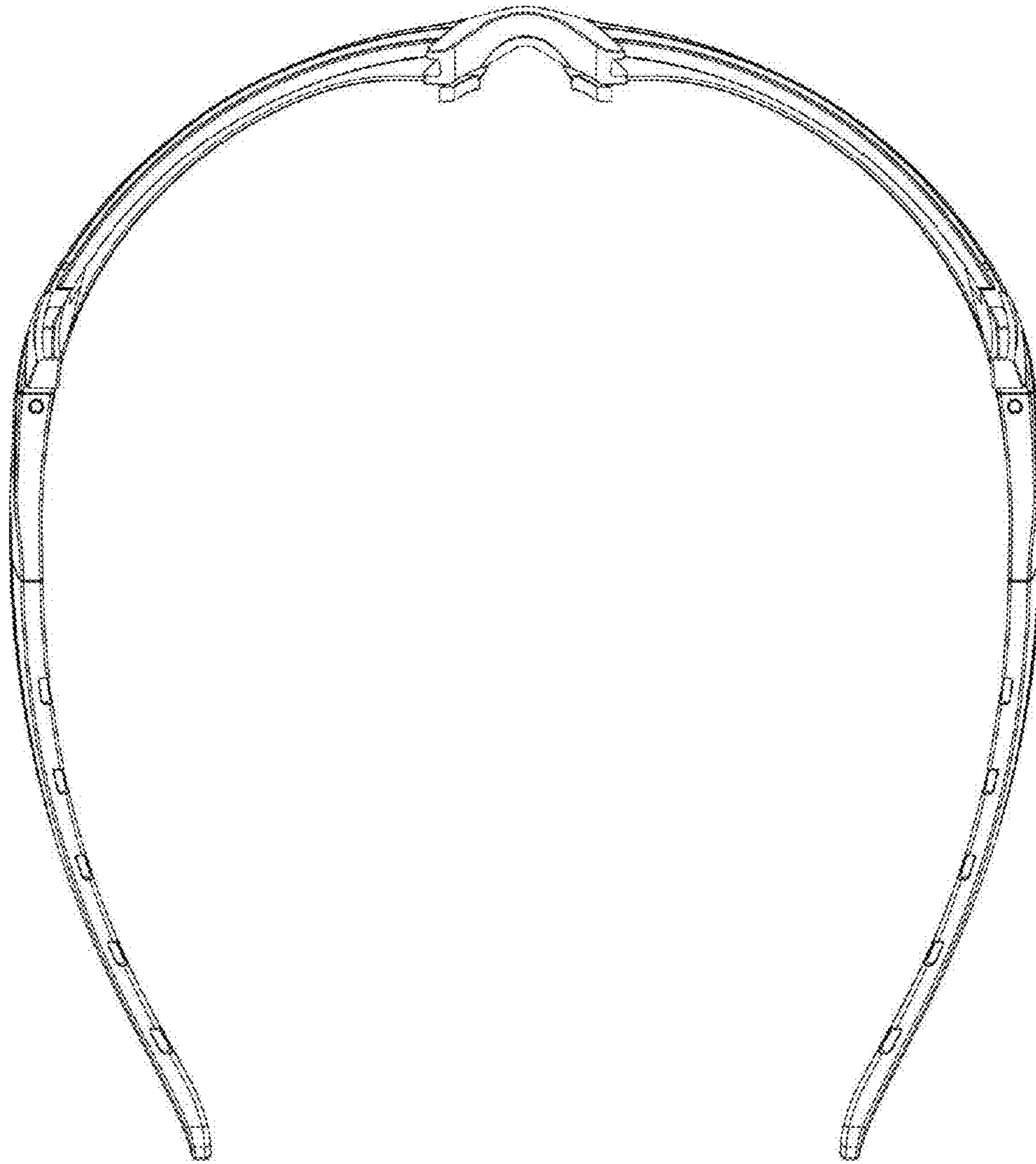


Fig. 7: Bottom plan view