



US00D724132S

(12) **United States Design Patent**  
**Noh**

(10) **Patent No.:** **US D724,132 S**  
(45) **Date of Patent:** **\*\* Mar. 10, 2015**

(54) **CAMERA**

(71) Applicant: **Samsung Electronics Co., Ltd.**,  
Suwon-si (KR)

(72) Inventor: **Kyung-Han Noh**, Seoul (KR)

(73) Assignee: **Samsung Electronics Co., Ltd.**,  
Suwon-si (KR)

(\*\*) Term: **14 Years**

(21) Appl. No.: **29/473,670**

(22) Filed: **Nov. 25, 2013**

(30) **Foreign Application Priority Data**

May 28, 2013 (KR) ..... 30-2013-0027646

(51) **LOC (10) Cl.** ..... **16-05**

(52) **U.S. Cl.**  
USPC ..... **D16/243; D16/206**

(58) **Field of Classification Search**  
CPC ..... G03B 15/03; G03B 17/02; G03B 17/04;  
G03B 17/56; G03B 19/04; H04N 5/2251;  
H04N 5/2252; H04N 5/2253; H04N 5/2254;  
H04N 2101/00  
USPC ..... D16/200, 202–206, 208, 217–219, 242,  
D16/243; 348/373–376; 396/176–178, 420,  
396/535, 539–541; 248/176.1, 187.1  
See application file for complete search history.

(56) **References Cited**

**U.S. PATENT DOCUMENTS**

D425,099 S \* 5/2000 Nakanishi ..... D16/243  
D481,409 S \* 10/2003 Matsumura et al. .... D16/219

D487,105 S \* 2/2004 Takahashi ..... D16/217  
D505,684 S \* 5/2005 Gotham et al. .... D16/202  
7,494,291 B2 \* 2/2009 Saxton ..... 396/420  
D595,755 S \* 7/2009 Funakoshi ..... D16/202  
8,159,603 B2 \* 4/2012 Yamamoto ..... 348/374  
D690,756 S \* 10/2013 Giugiaro et al. .... D16/202  
8,628,257 B2 \* 1/2014 Inuma ..... 396/420  
D709,936 S \* 7/2014 Sakai ..... D16/202  
2014/0055671 A1 \* 2/2014 Kawamura ..... 348/374

\* cited by examiner

*Primary Examiner* — Adir Aronovich

*Assistant Examiner* — Ramzi Almatrahi

(74) *Attorney, Agent, or Firm* — NSIP Law

(57) **CLAIM**

The ornamental design for a camera, as shown and described.

**DESCRIPTION**

FIG. 1 is a top, front and left side perspective view of a camera showing my new design;

FIG. 2 is a front elevational view thereof;

FIG. 3 is a rear elevational view thereof;

FIG. 4 is a left side elevational view thereof;

FIG. 5 is a right side elevational view thereof;

FIG. 6 is a top plan view thereof;

FIG. 7 is a bottom plan view thereof;

FIG. 8 is a top, front and right side perspective view thereof;

FIG. 9 is an enlarged view of the encircled portion in FIG. 1; and,

FIG. 10 is an enlarged view of the encircled portion in FIG. 8.

The broken lines in the drawing are included for the purpose of illustrating environmental subject matter and form no part of the claimed design.

The dot-dash broken lines encircling enlargement portions of the design forms no part of the claimed design.

**1 Claim, 10 Drawing Sheets**

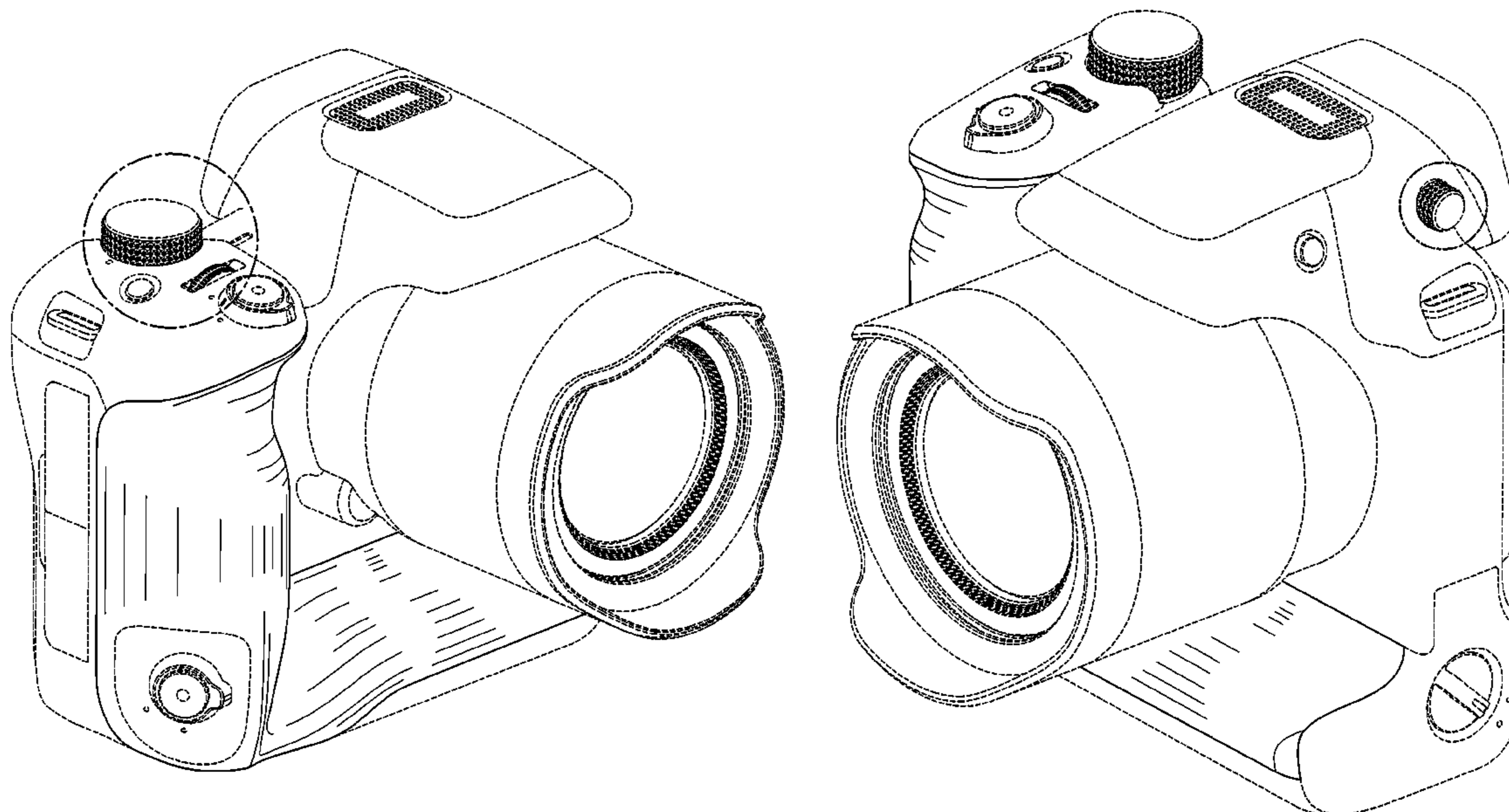


FIG. 1

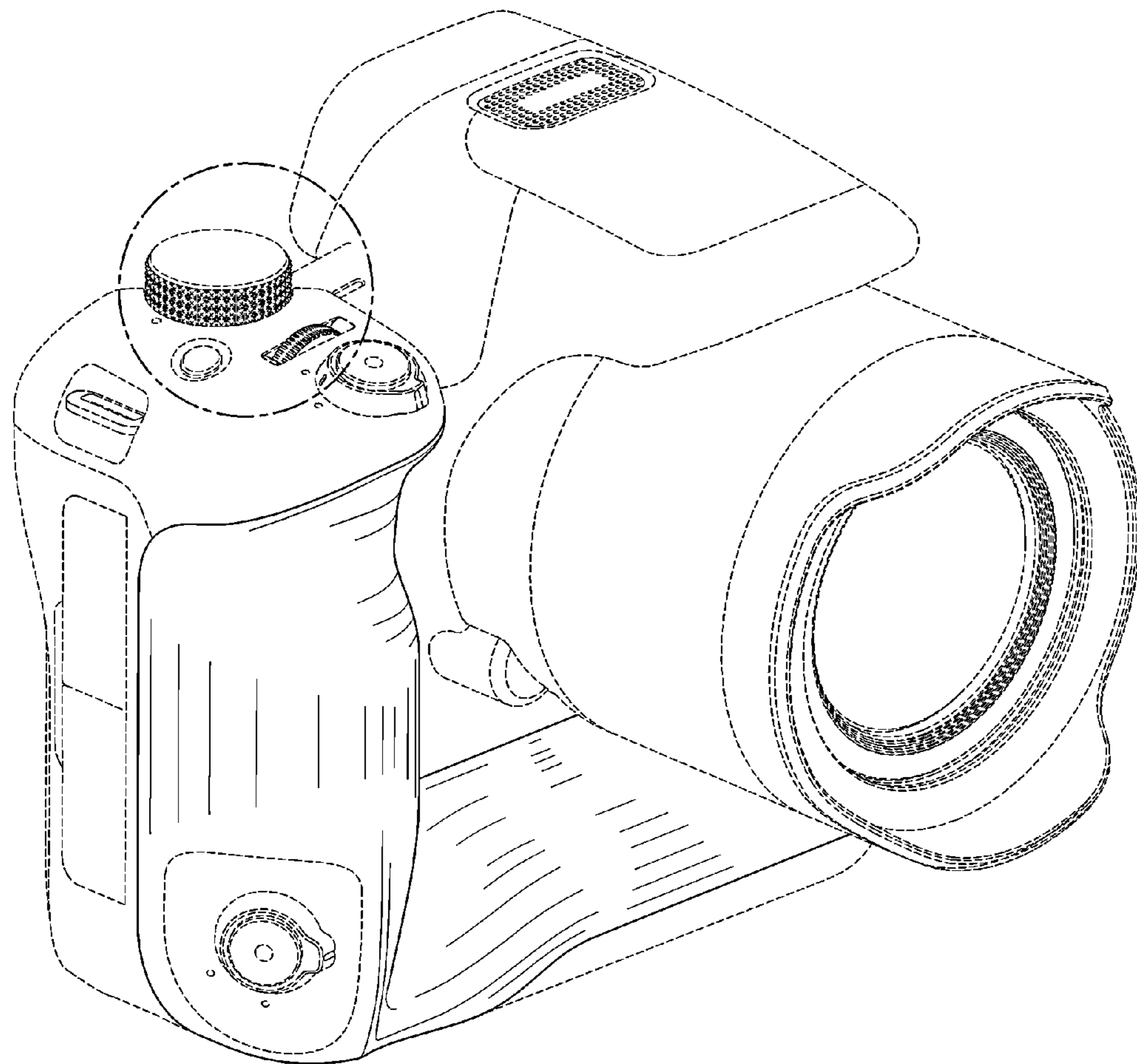


FIG. 2

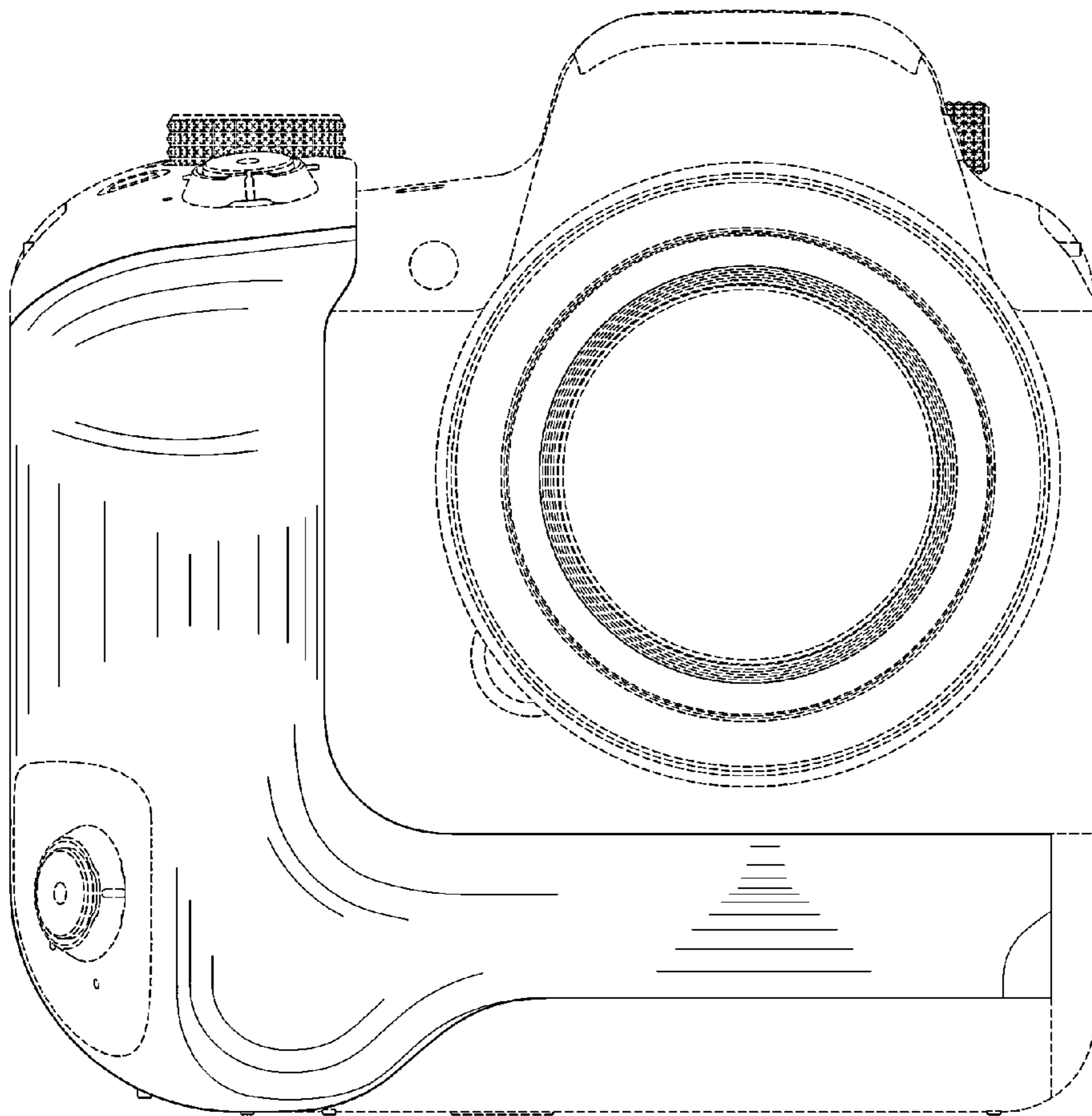


FIG. 3

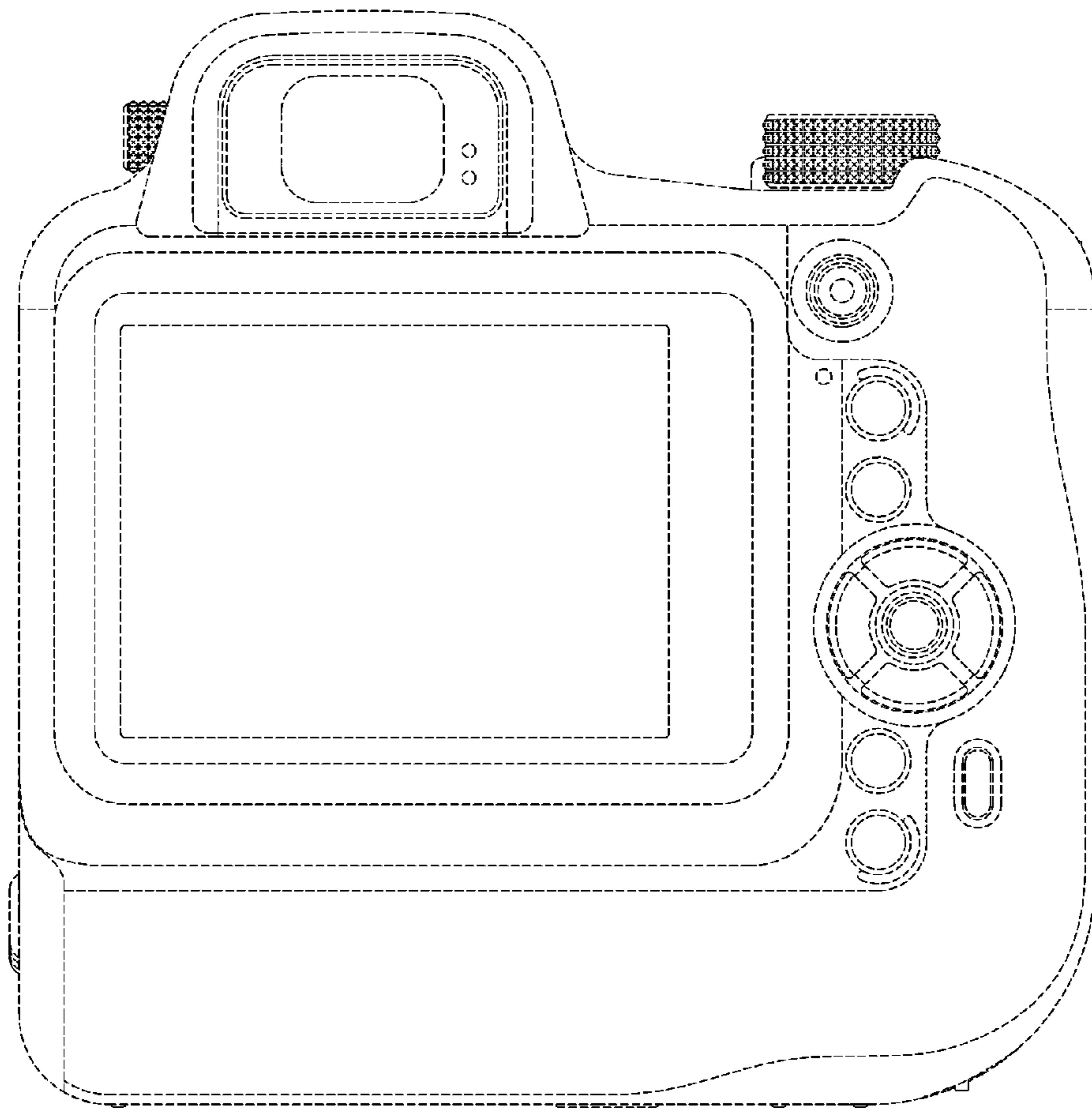


FIG. 4

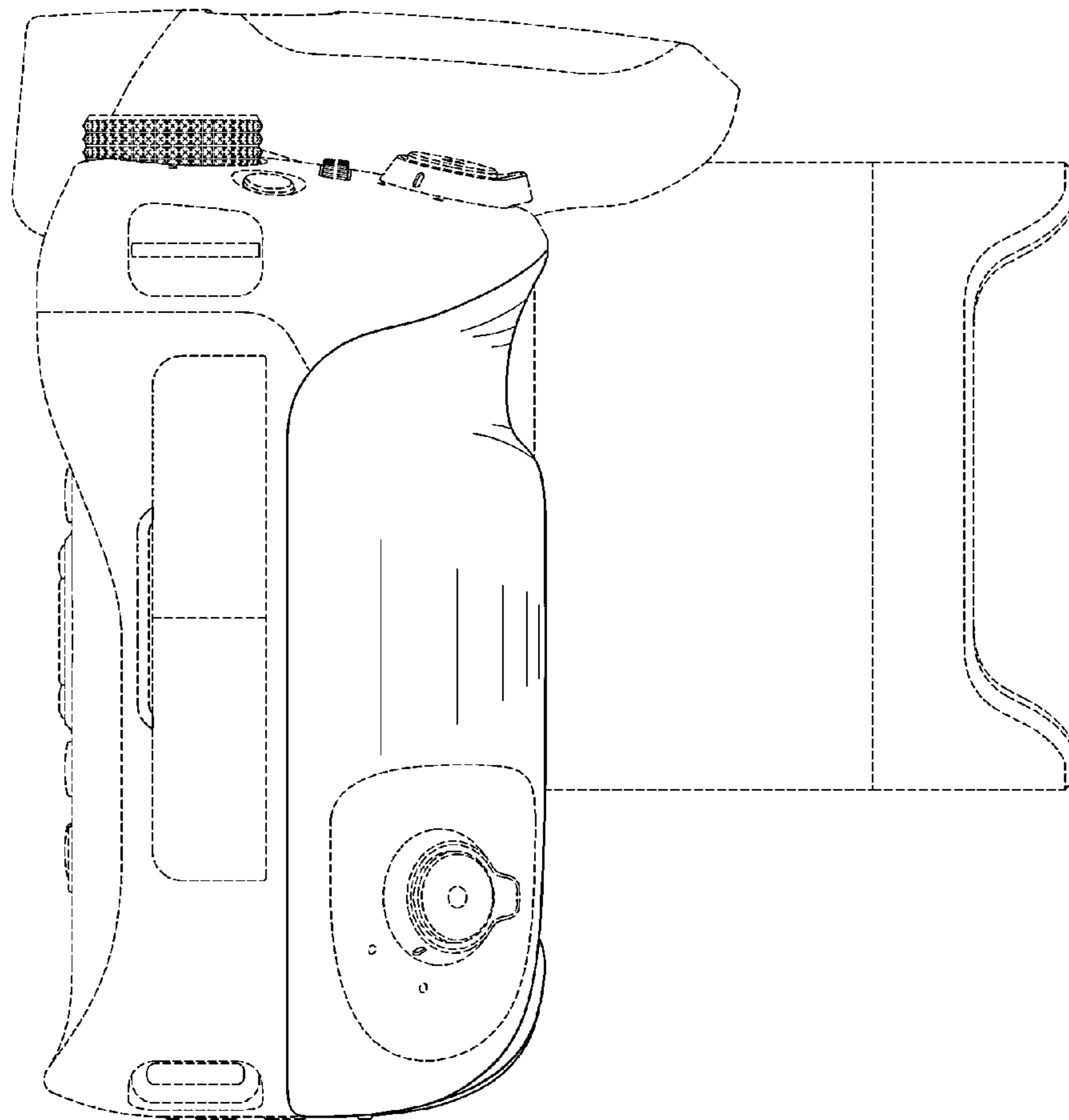


FIG. 5

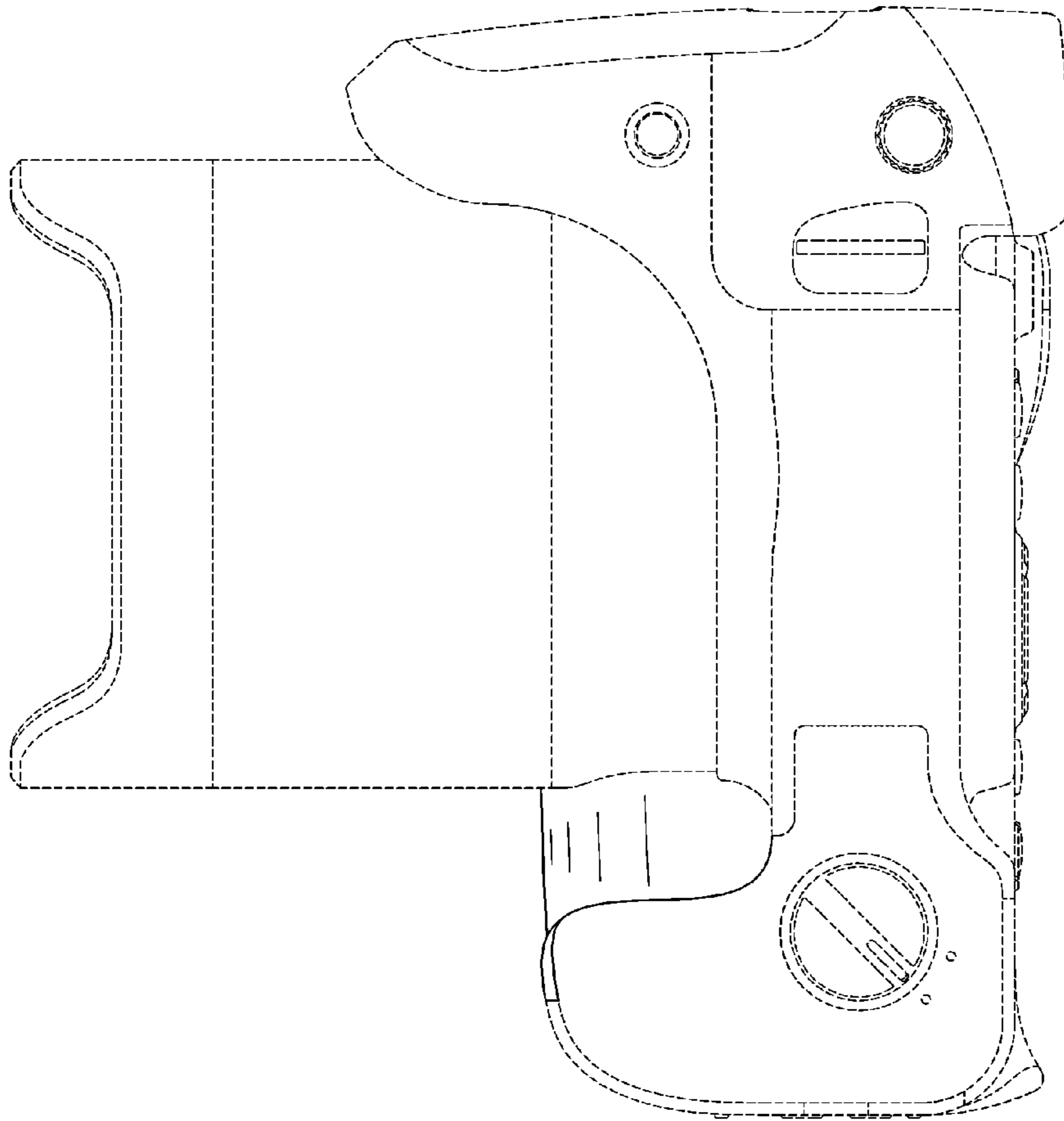


FIG. 6

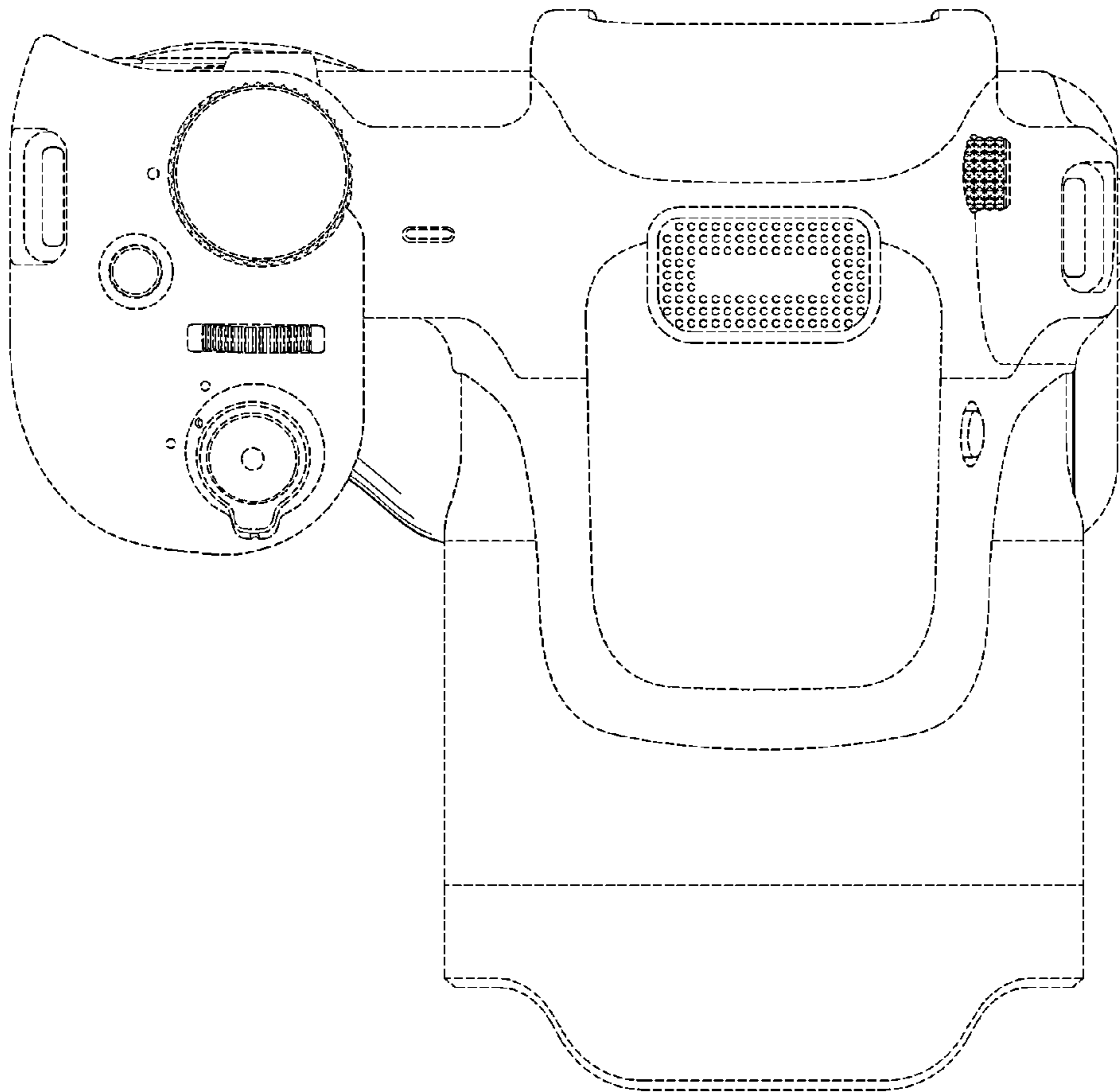


FIG. 7

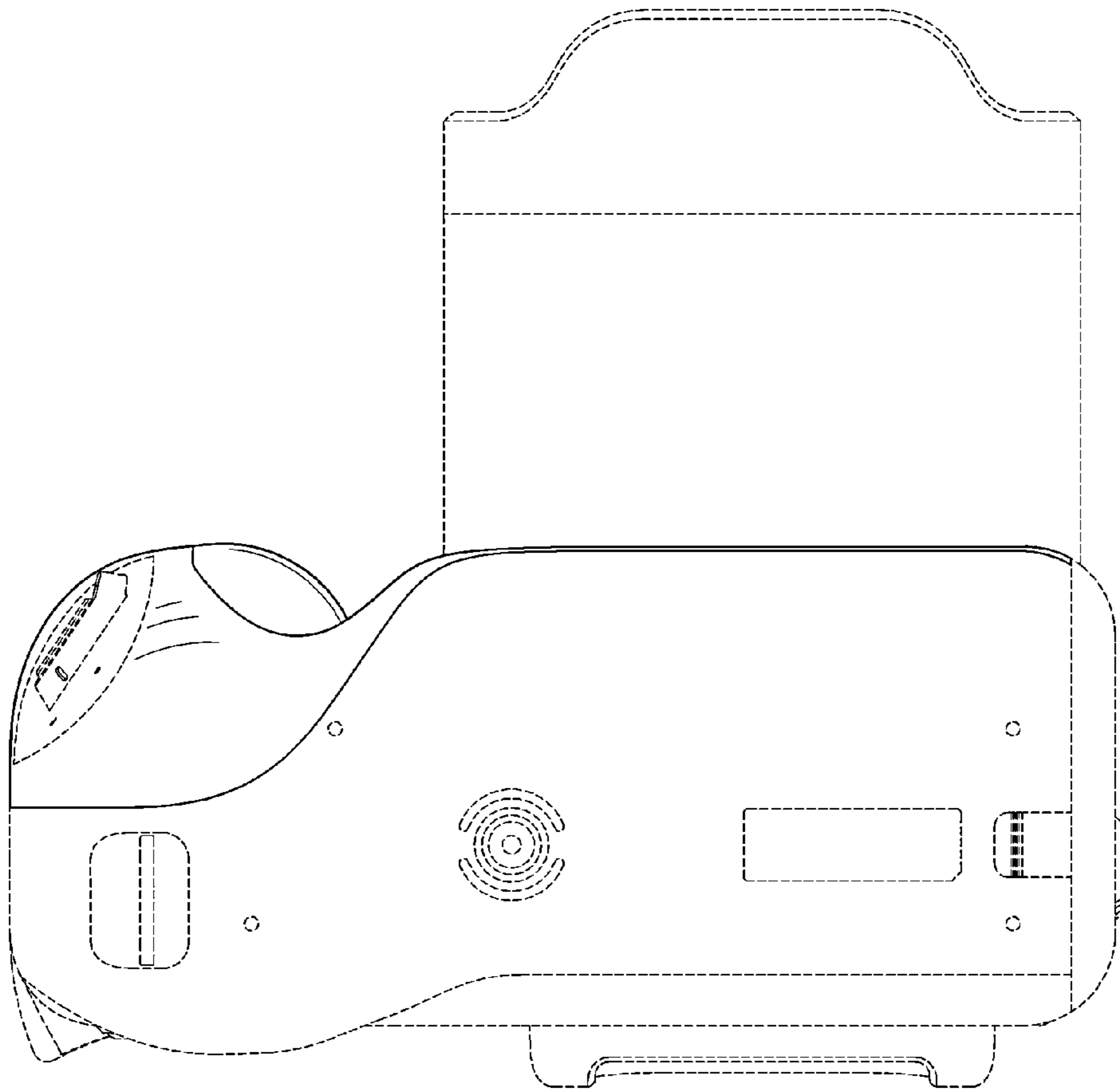




FIG. 8

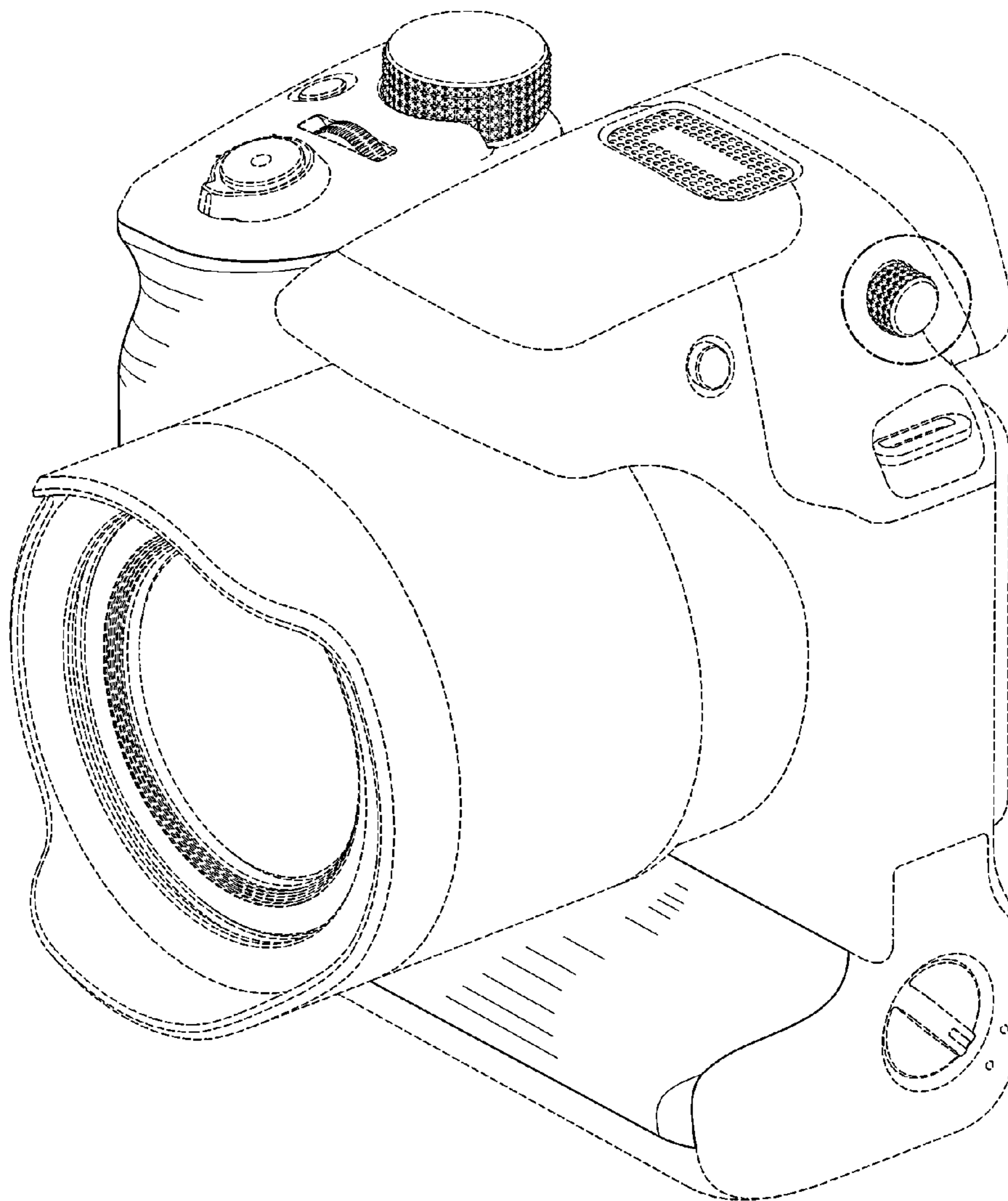


FIG. 9

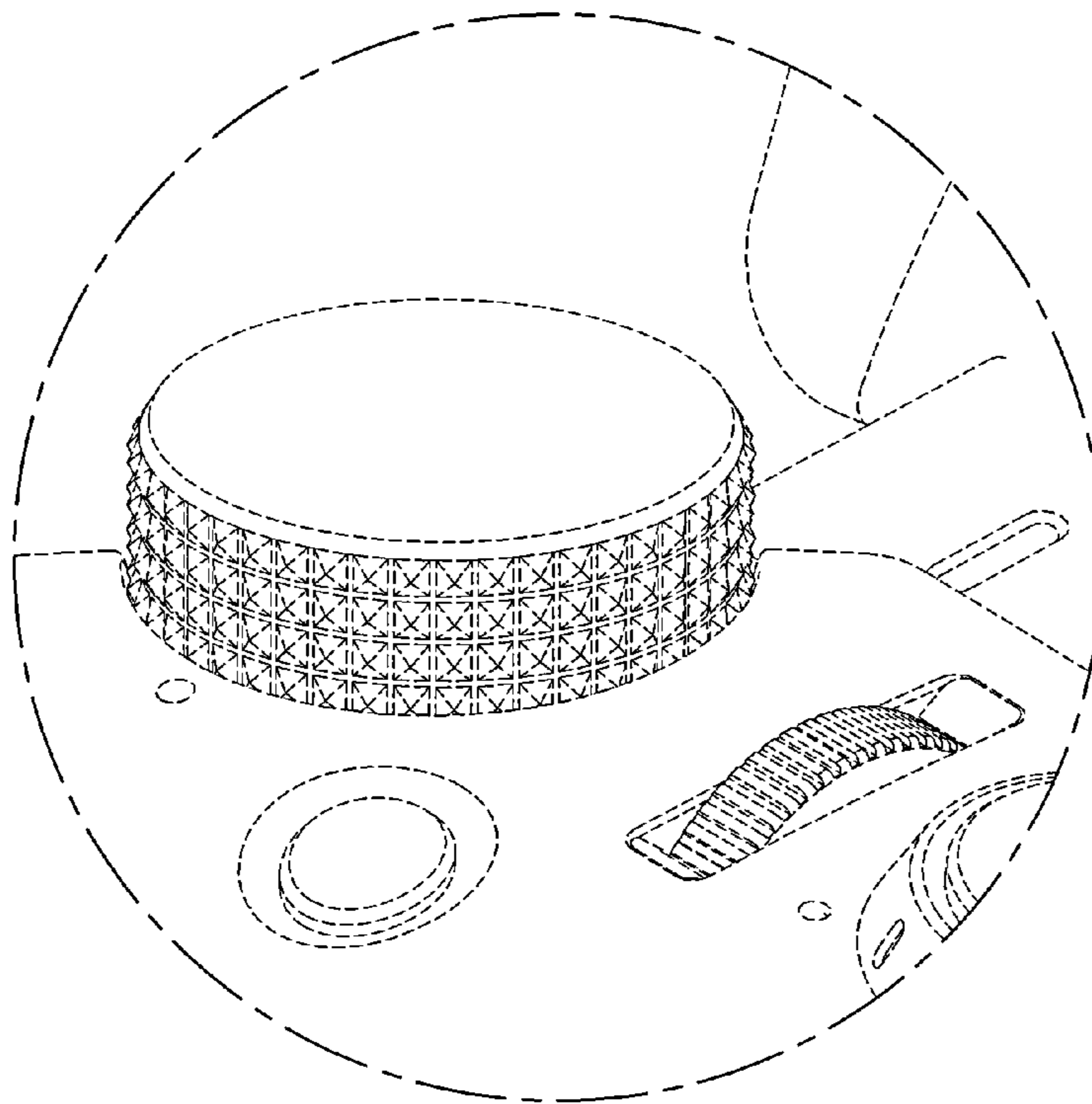


FIG. 10

