



US00D724131S

(12) **United States Design Patent**
Kim

(10) **Patent No.:** **US D724,131 S**
(45) **Date of Patent:** **** Mar. 10, 2015**

(54) **CAMERA**

(71) Applicant: **Samsung Electronics Co., Ltd.**,
Suwon-si (KR)

(72) Inventor: **Joo-Hyung Kim**, Busan (KR)

(73) Assignee: **Samsung Electronics Co., Ltd.**,
Suwon-si (KR)

(**) Term: **14 Years**

(21) Appl. No.: **29/471,936**

(22) Filed: **Nov. 6, 2013**

(30) **Foreign Application Priority Data**

May 16, 2013 (KR) 30-2013-0025732

(51) **LOC (10) Cl.** **16-05**

(52) **U.S. Cl.**

USPC **D16/219**; D16/202

(58) **Field of Classification Search**

CPC G03B 15/03; G03B 17/02; G03B 17/04;
G03B 17/56; G03B 19/04; H04N 5/2251;
H04N 5/2252; H04N 5/2253; H04N 5/2254;
H04N 2101/00

USPC D16/200, 202–206, 208, 217, 218, 219;
348/373–376; 396/176–178, 535,
396/539–541

See application file for complete search history.

(56) **References Cited**

U.S. PATENT DOCUMENTS

D491,593 S * 6/2004 Haga D16/202
D515,606 S * 2/2006 Nakamura D16/202
D560,239 S * 1/2008 Kim et al. D16/202
D564,561 S * 3/2008 Takahashi D16/217
7,505,682 B2 * 3/2009 Liu 396/177

D630,661 S * 1/2011 Meguro D16/217
7,933,516 B2 * 4/2011 Iyoda et al. 396/535
D664,582 S * 7/2012 Asano et al. D16/219
D671,583 S * 11/2012 Sakai D16/202
D672,802 S * 12/2012 Nojima et al. D16/219
8,428,455 B2 * 4/2013 Asai et al. 396/535
8,494,359 B2 * 7/2013 Ogasawara et al. 396/535
D690,755 S * 10/2013 Nikaido D16/202
D698,840 S * 2/2014 Nakamura et al. D16/202
D706,849 S * 6/2014 Sakai D16/202
D709,936 S * 7/2014 Sakai D16/202

* cited by examiner

Primary Examiner — Adir Aronovich

Assistant Examiner — Ramzi Almatrahi

(74) *Attorney, Agent, or Firm* — NSIP Law

(57) **CLAIM**

The ornamental design for a camera, as shown and described.

DESCRIPTION

FIG. 1 is a front perspective view of a camera showing my new design;

FIG. 2 is a front view thereof;

FIG. 3 is a rear view thereof;

FIG. 4 is a left-side view thereof;

FIG. 5 is a right-side view thereof;

FIG. 6 is a top view thereof;

FIG. 7 is a bottom view thereof;

FIG. 8 is a rear perspective view thereof;

FIG. 9 is an enlarged view of the portion encircled in FIG. 1; and,

FIG. 10 is an enlarged view of another portion encircled in FIG. 1.

The broken lines depict portions of the camera in which the design is embodied and form no part of the claimed design.

The dot-dash broken lines encircling enlargement portions of the design form no part of the claimed design.

1 Claim, 10 Drawing Sheets

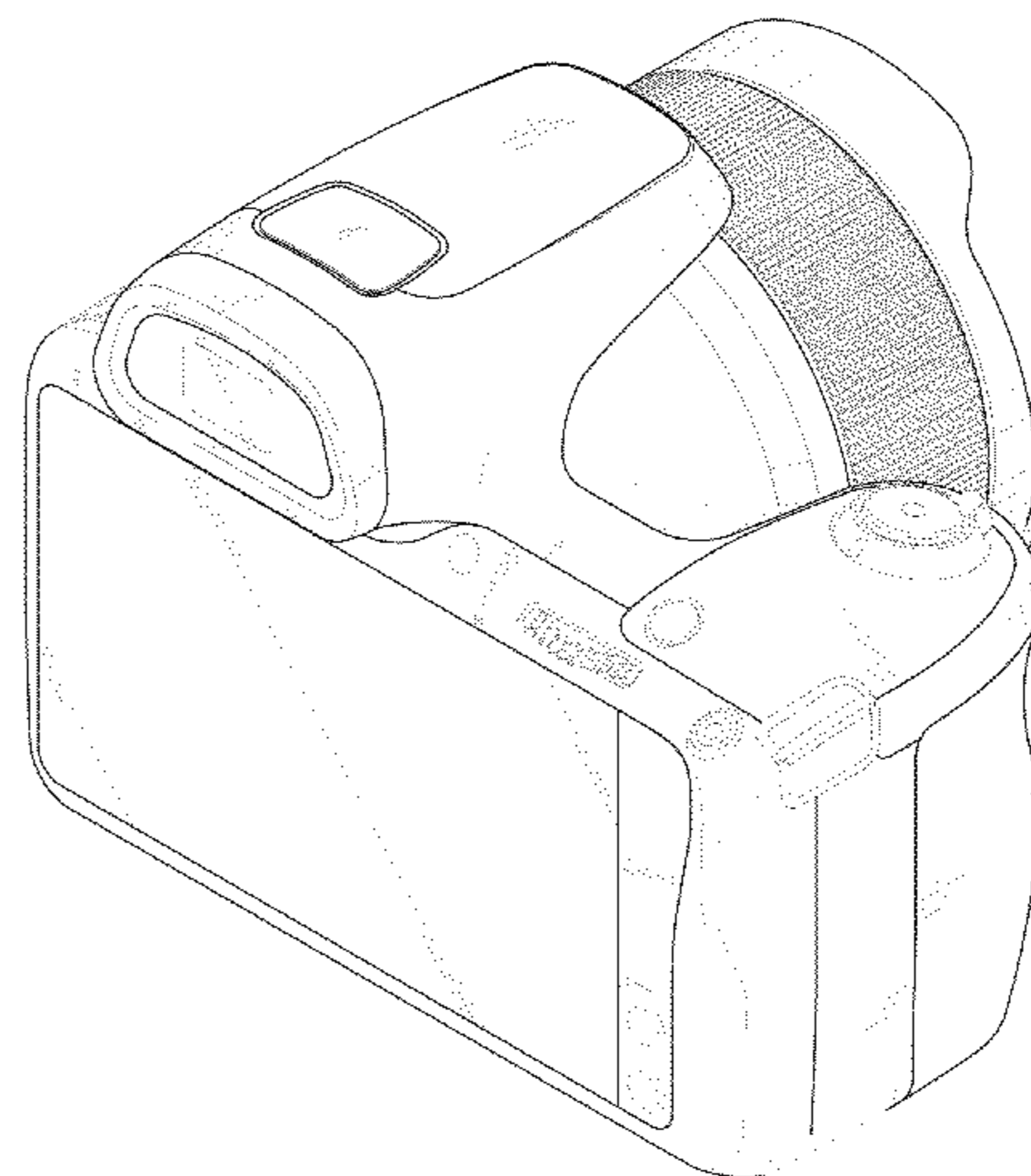
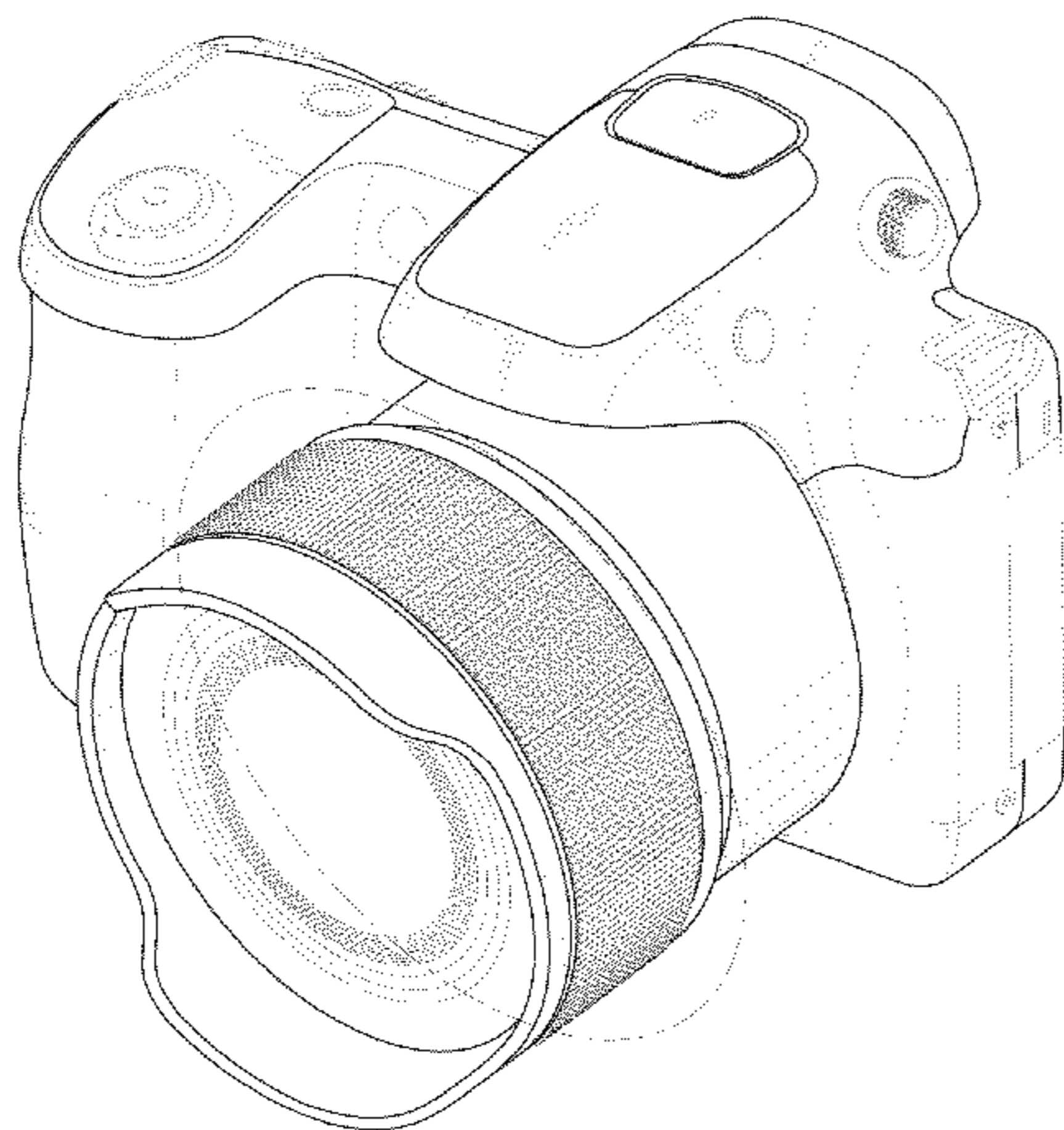


FIG. 1

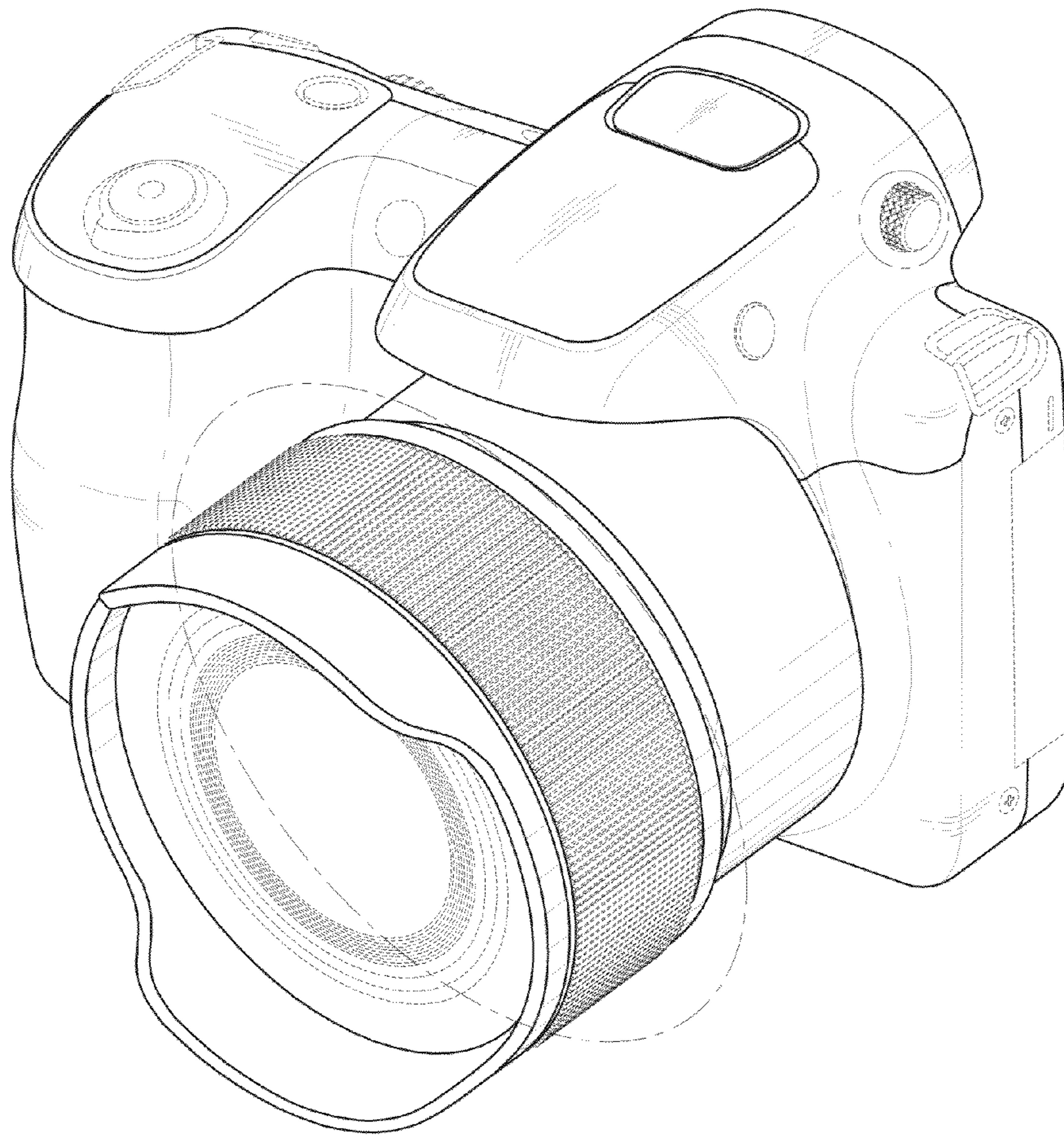


FIG. 2

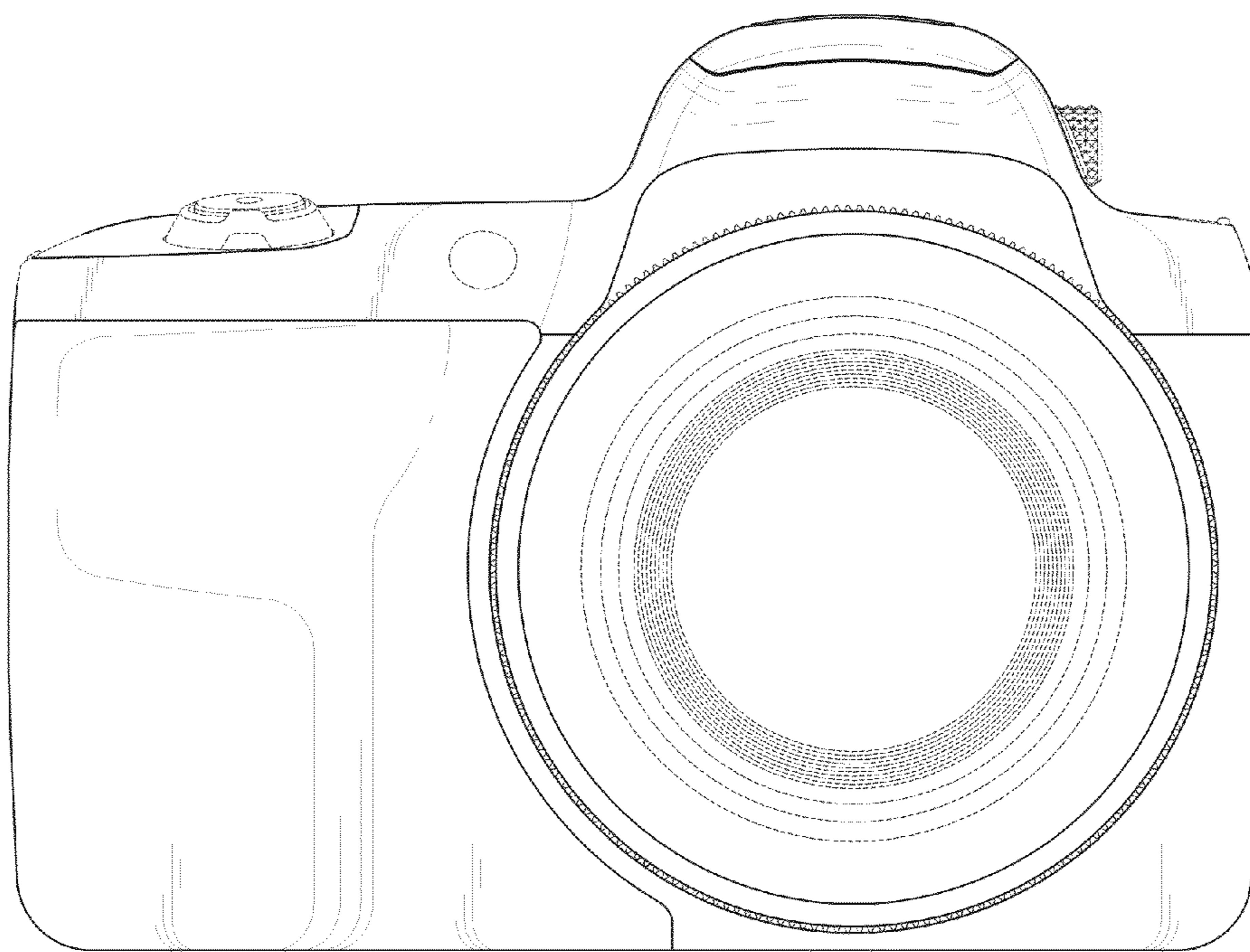


FIG. 3

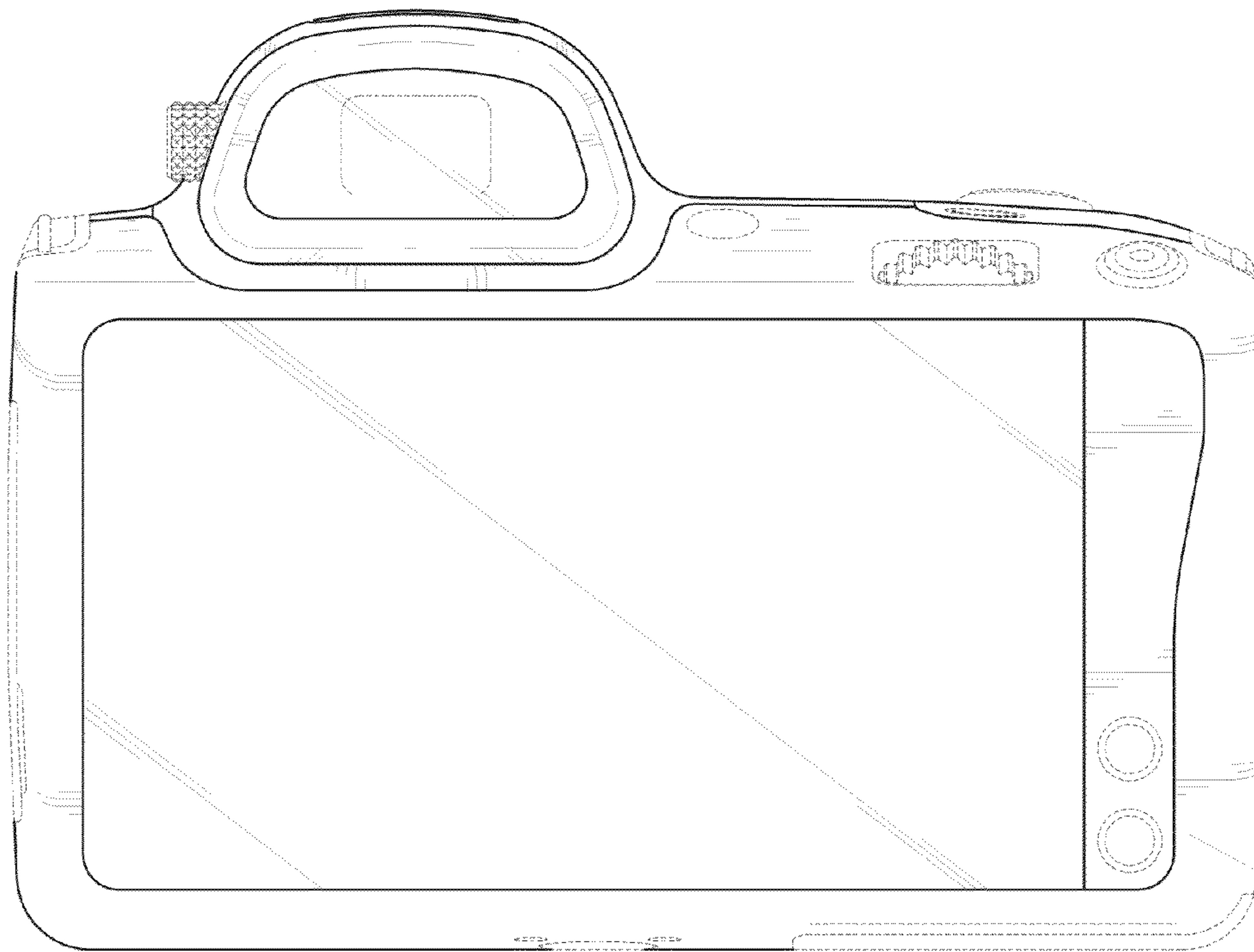


FIG. 4

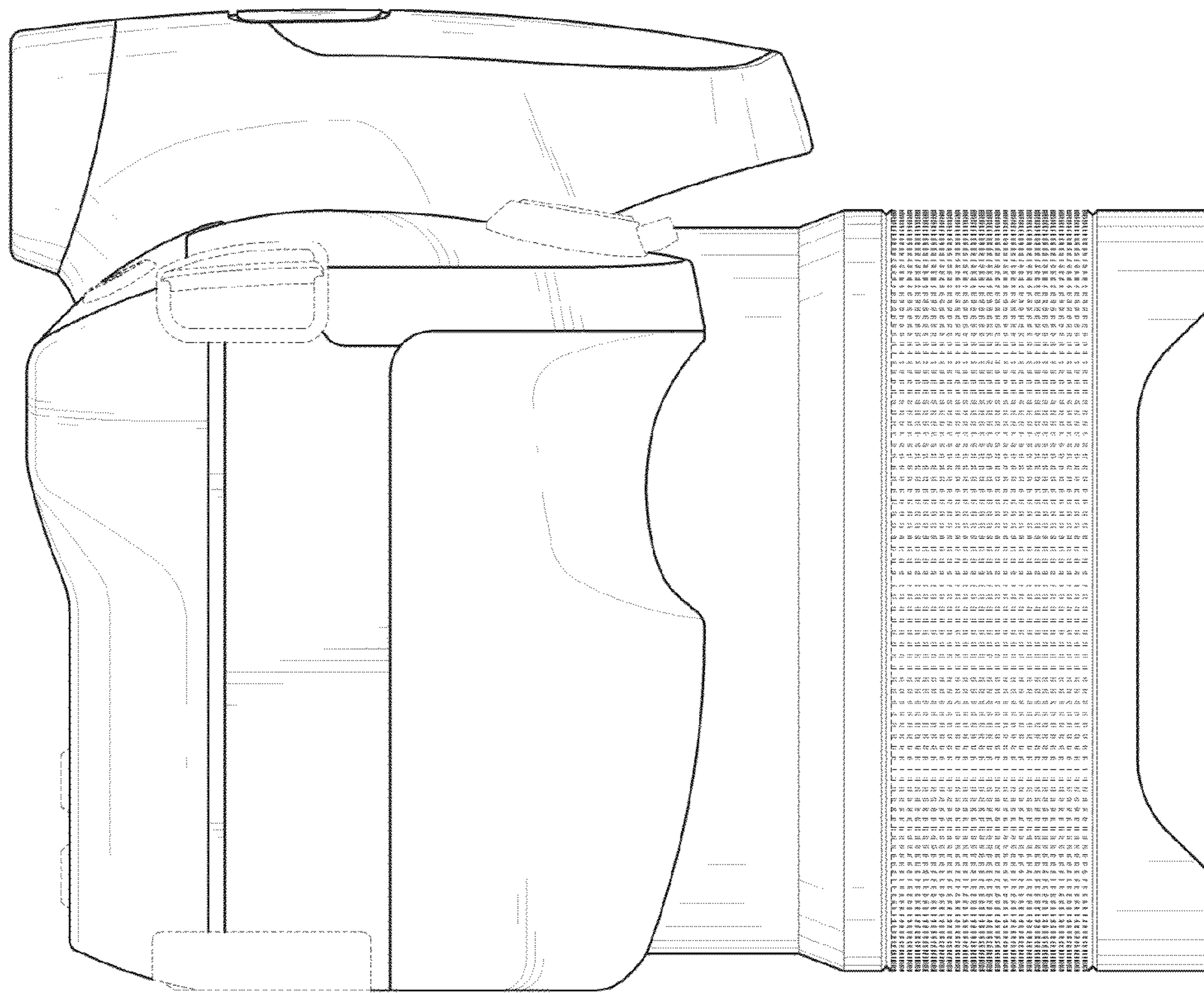


FIG. 5

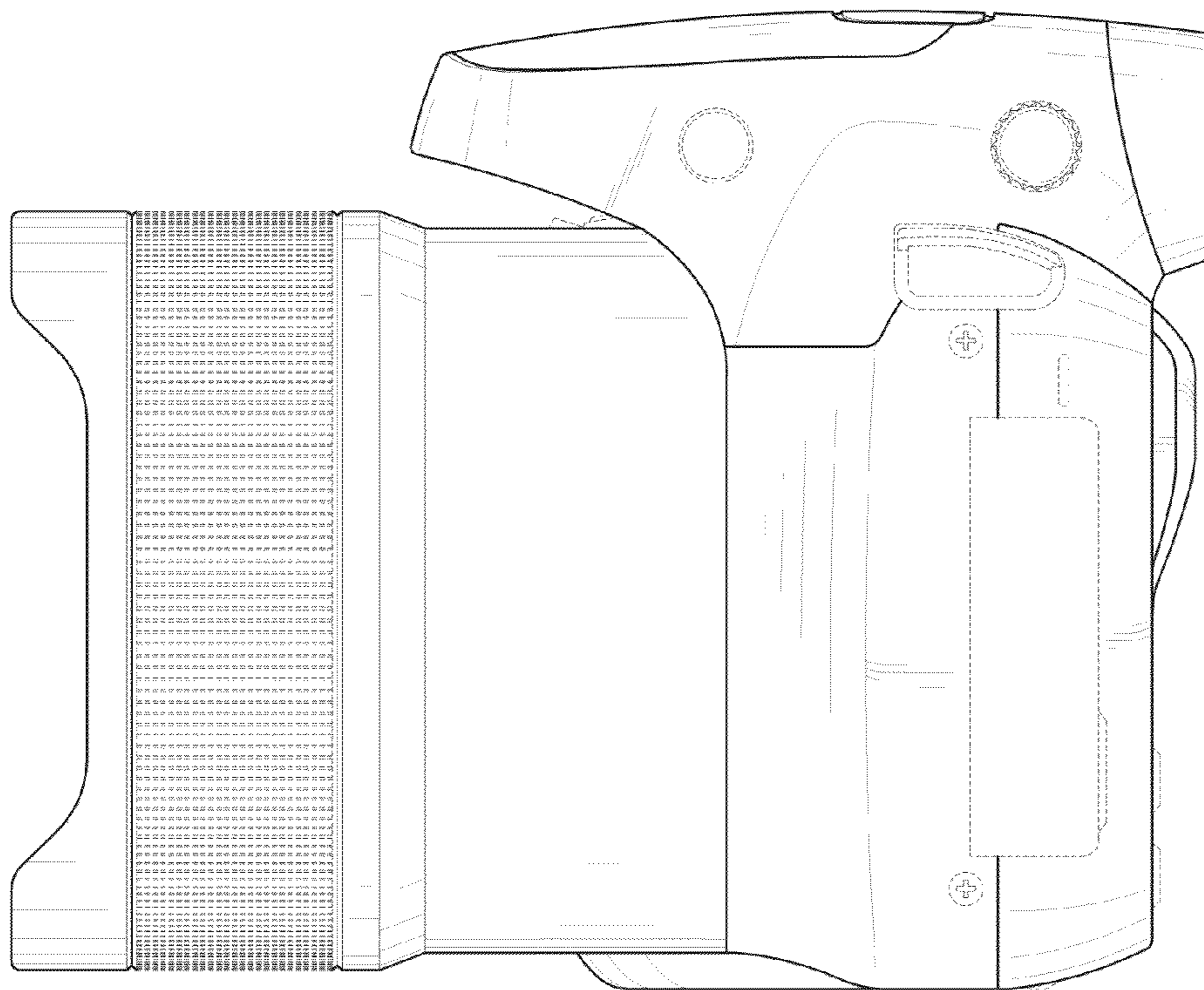


FIG. 6

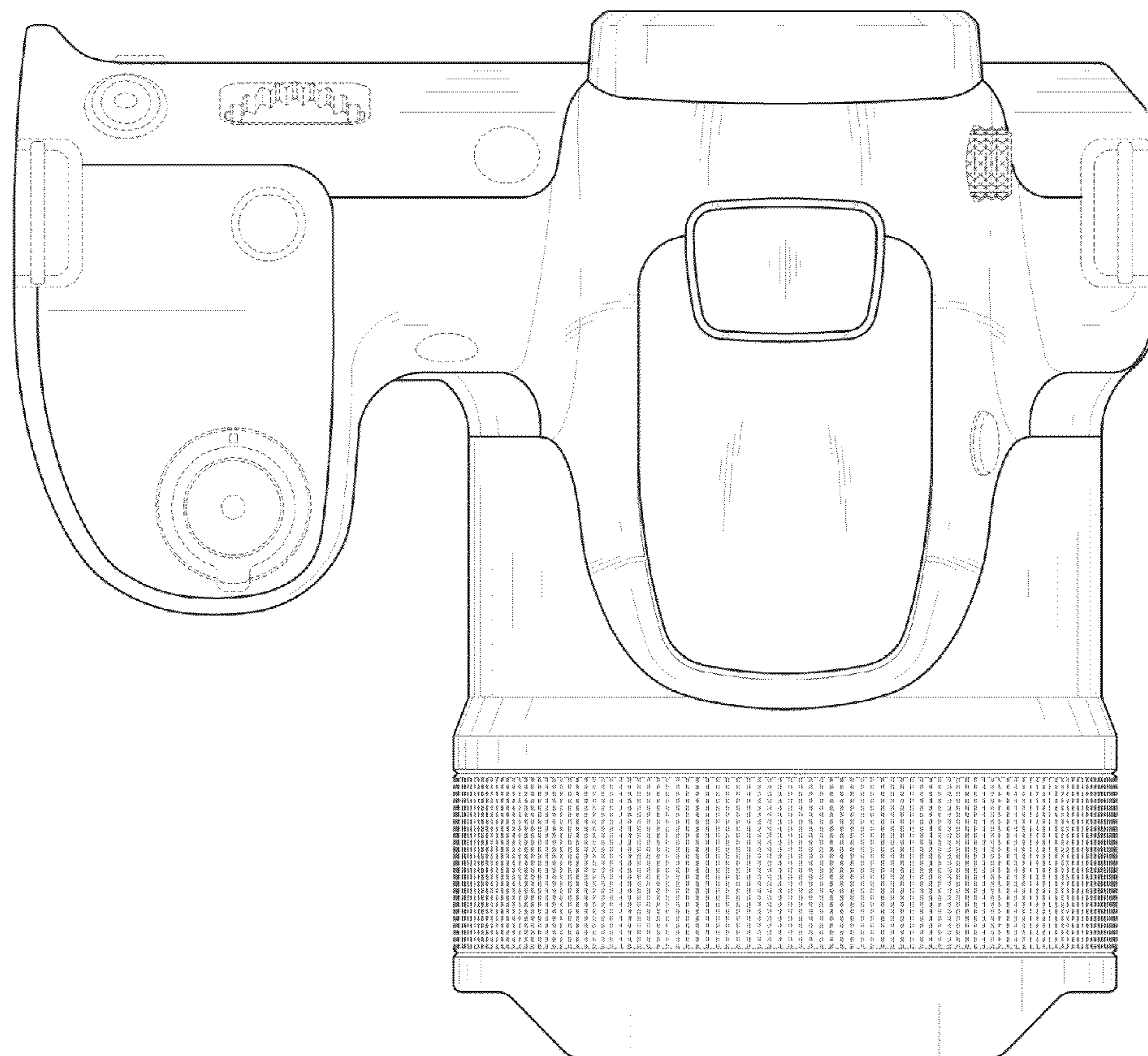


FIG. 7

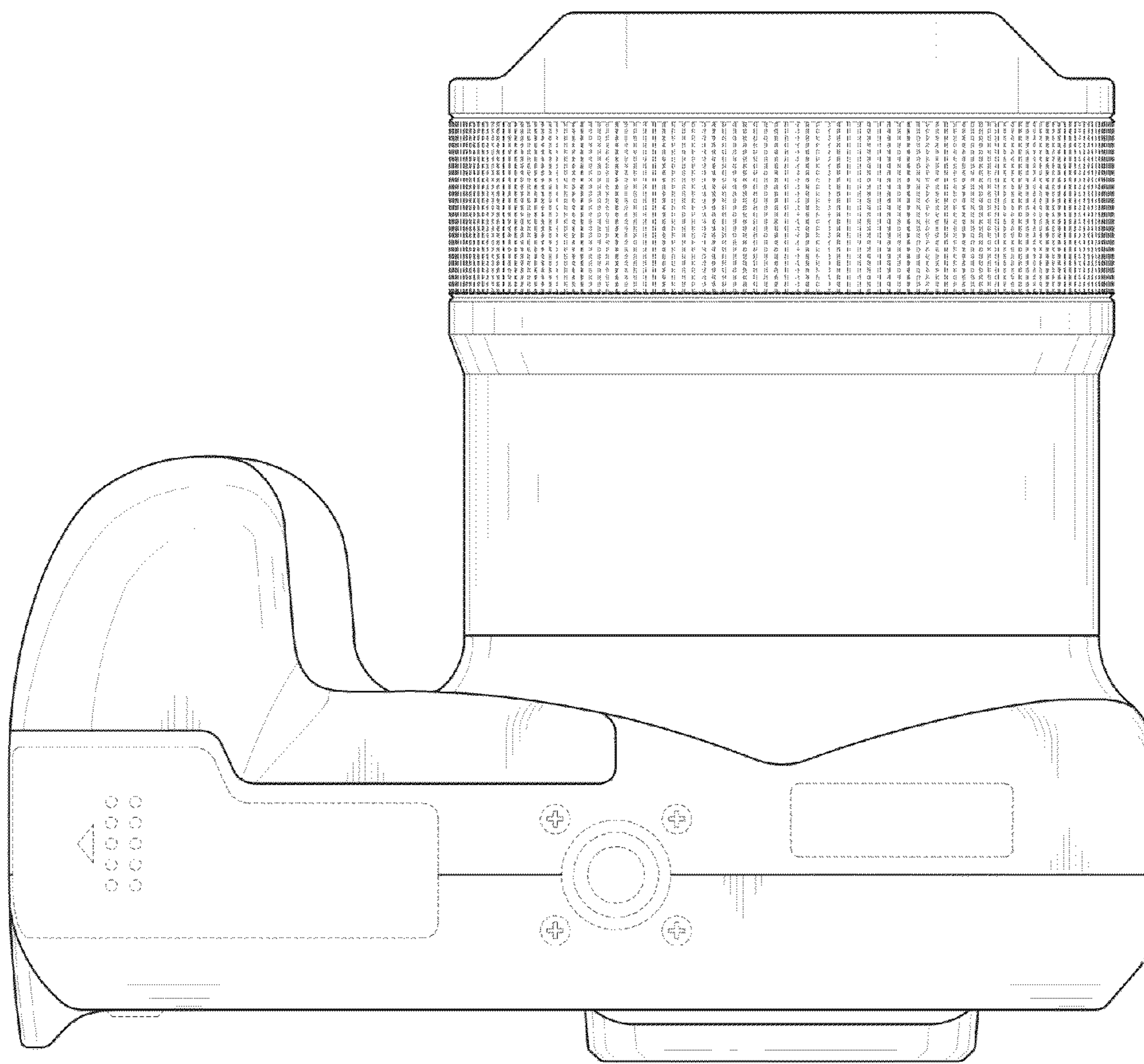


FIG. 8

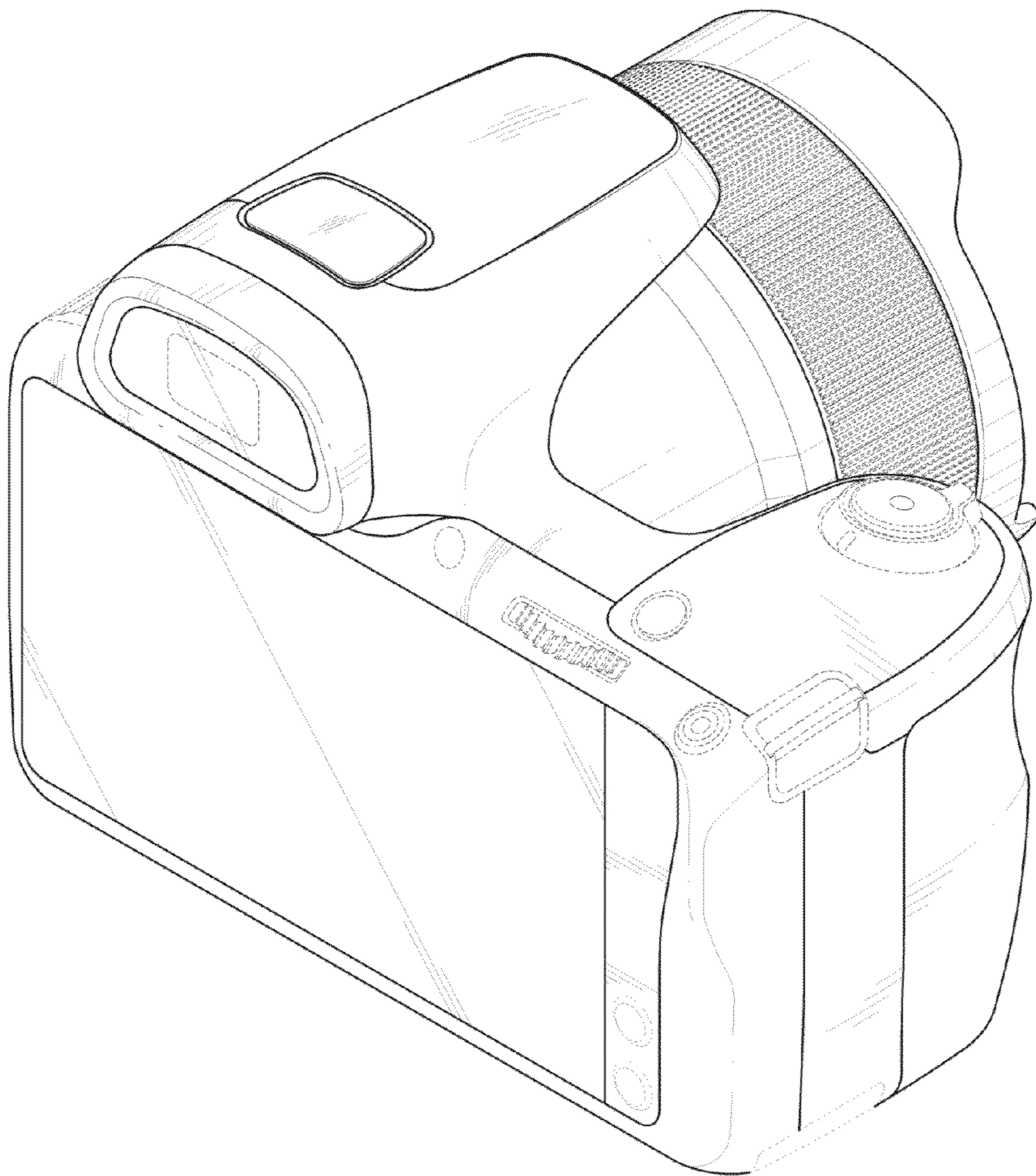


FIG. 9

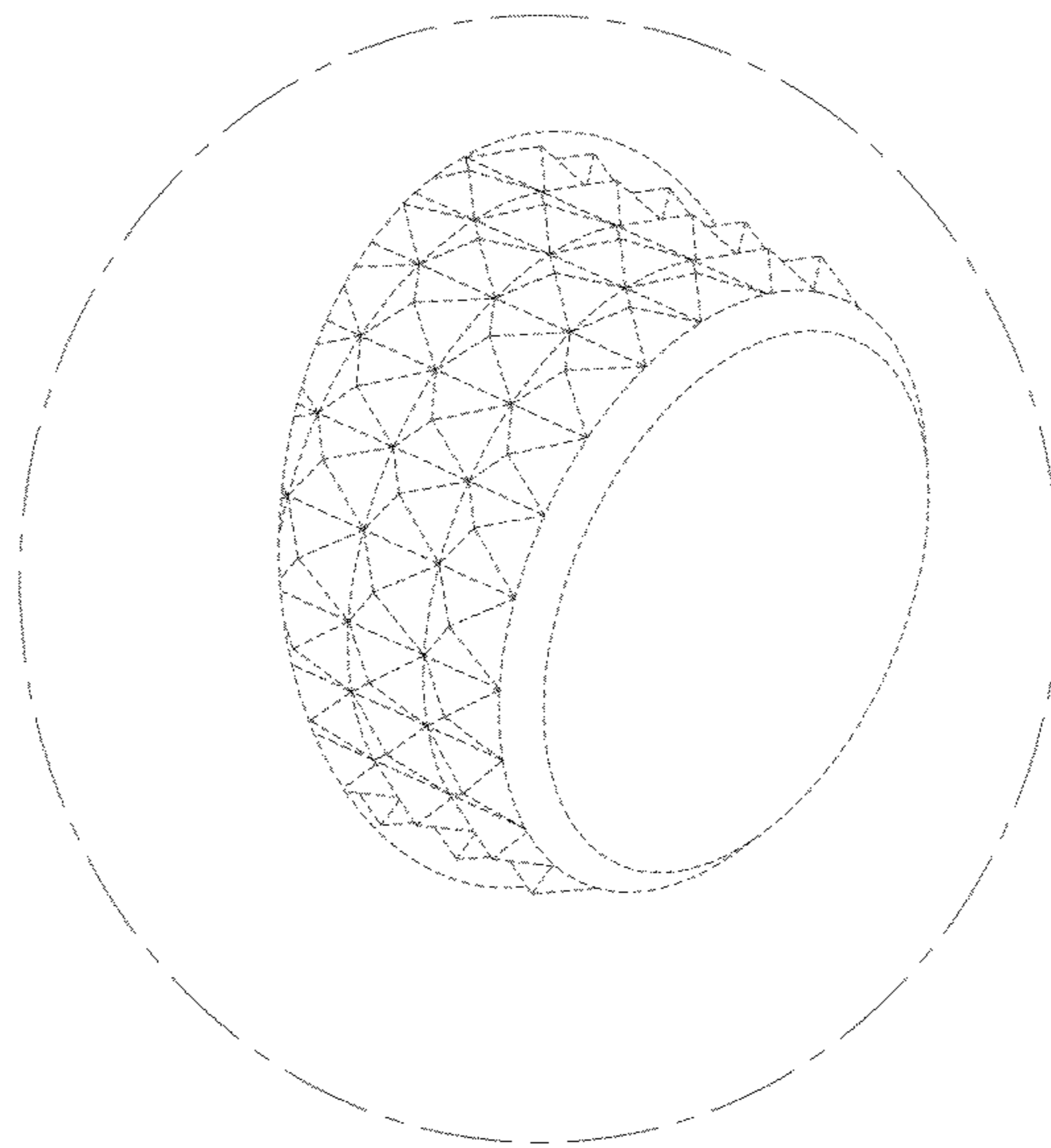


FIG. 10

