



US00D724130S

(12) **United States Design Patent**  
**Ham**

(10) **Patent No.:** **US D724,130 S**  
(45) **Date of Patent:** **\*\* Mar. 10, 2015**

(54) **CAMERA**

(71) Applicant: **Samsung Electronics Co., Ltd.**,  
Suwon-si (KR)

(72) Inventor: **Sun-Woong Ham**, Seoul (KR)

(73) Assignee: **Samsung Electronics Co., Ltd.**,  
Suwon-si (KR)

(\*\*) Term: **14 Years**

(21) Appl. No.: **29/473,495**

(22) Filed: **Nov. 22, 2013**

(30) **Foreign Application Priority Data**

May 23, 2013 (KR) ..... 30-2013-0026787

(51) **LOC (10) Cl.** ..... **16-01**

(52) **U.S. Cl.**  
USPC ..... **D16/202; D16/219**

(58) **Field of Classification Search**  
CPC ..... G03B 15/03; G03B 17/02; G03B 17/04;  
G03B 17/56; G03B 19/04; H04N 5/2251;  
H04N 5/2252; H04N 5/2253; H04N 5/2254;  
H04N 2101/00  
USPC ..... D16/200, 202–206, 208, 217, 218, 219;  
348/373–376; 396/176–178, 535,  
396/539–541

See application file for complete search history.

(56) **References Cited**

**U.S. PATENT DOCUMENTS**

D515,606 S \* 2/2006 Nakamura ..... D16/202  
7,505,682 B2 \* 3/2009 Liu ..... 396/177  
D594,892 S \* 6/2009 Kamiya et al. .... D16/202  
D595,755 S \* 7/2009 Funakoshi ..... D16/202

D609,730 S \* 2/2010 Nakamura ..... D16/202  
D620,036 S \* 7/2010 Obata ..... D16/202  
8,131,147 B2 \* 3/2012 Kusatsugu ..... 396/535  
8,159,603 B2 \* 4/2012 Yamamoto ..... 348/374  
D671,583 S \* 11/2012 Sakai ..... D16/202  
D690,755 S \* 10/2013 Nikaido ..... D16/202  
D698,840 S \* 2/2014 Nakamura et al. .... D16/202  
D706,849 S \* 6/2014 Sakai ..... D16/202  
D709,936 S \* 7/2014 Sakai ..... D16/202

\* cited by examiner

*Primary Examiner* — Adir Aronovich

*Assistant Examiner* — Ramzi Almatrahi

(74) *Attorney, Agent, or Firm* — NSIP Law

(57) **CLAIM**

The ornamental design for a camera, as shown and described.

**DESCRIPTION**

FIG. 1 is a front perspective view of a camera showing my new design;  
FIG. 2 is a front view thereof;  
FIG. 3 is a rear view thereof;  
FIG. 4 is a left-side view thereof;  
FIG. 5 is a right-side view thereof;  
FIG. 6 is a top view thereof;  
FIG. 7 is a bottom view thereof;  
FIG. 8 is a rear perspective view thereof, with the display being in an open position;  
FIG. 9 is an enlarged view of the portion encircled in FIG. 1;  
FIG. 10 is an enlarged view of the other portion encircled in FIG. 1; and,  
FIG. 11 is an enlarged view of the portion encircled in FIG. 3.  
The broken lines depict portions of the camera in which the design is embodied and form no part of the claimed design.  
The dot-dash broken lines encircling enlargement portions of the design form no part of the claimed design.

**1 Claim, 11 Drawing Sheets**

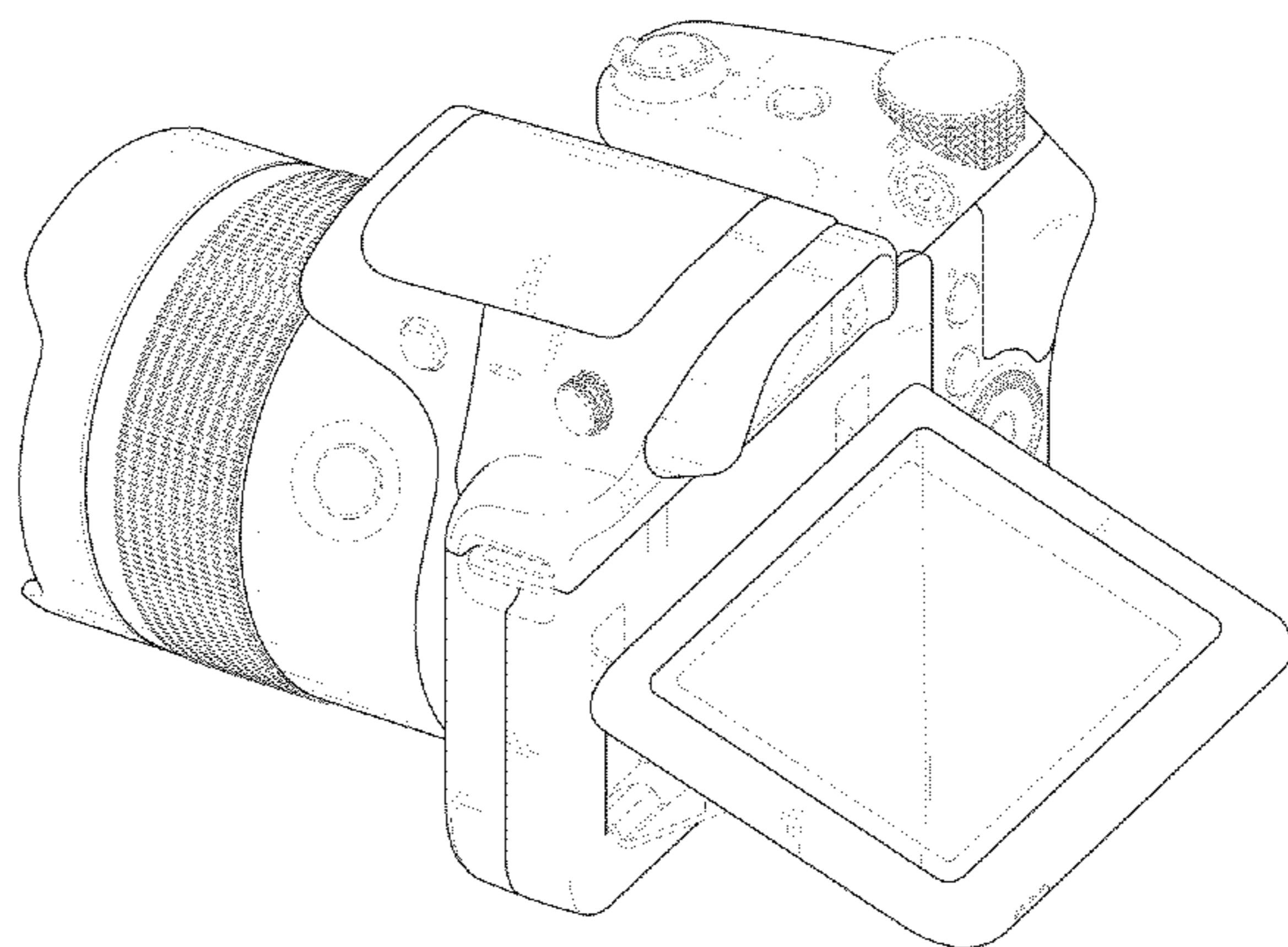
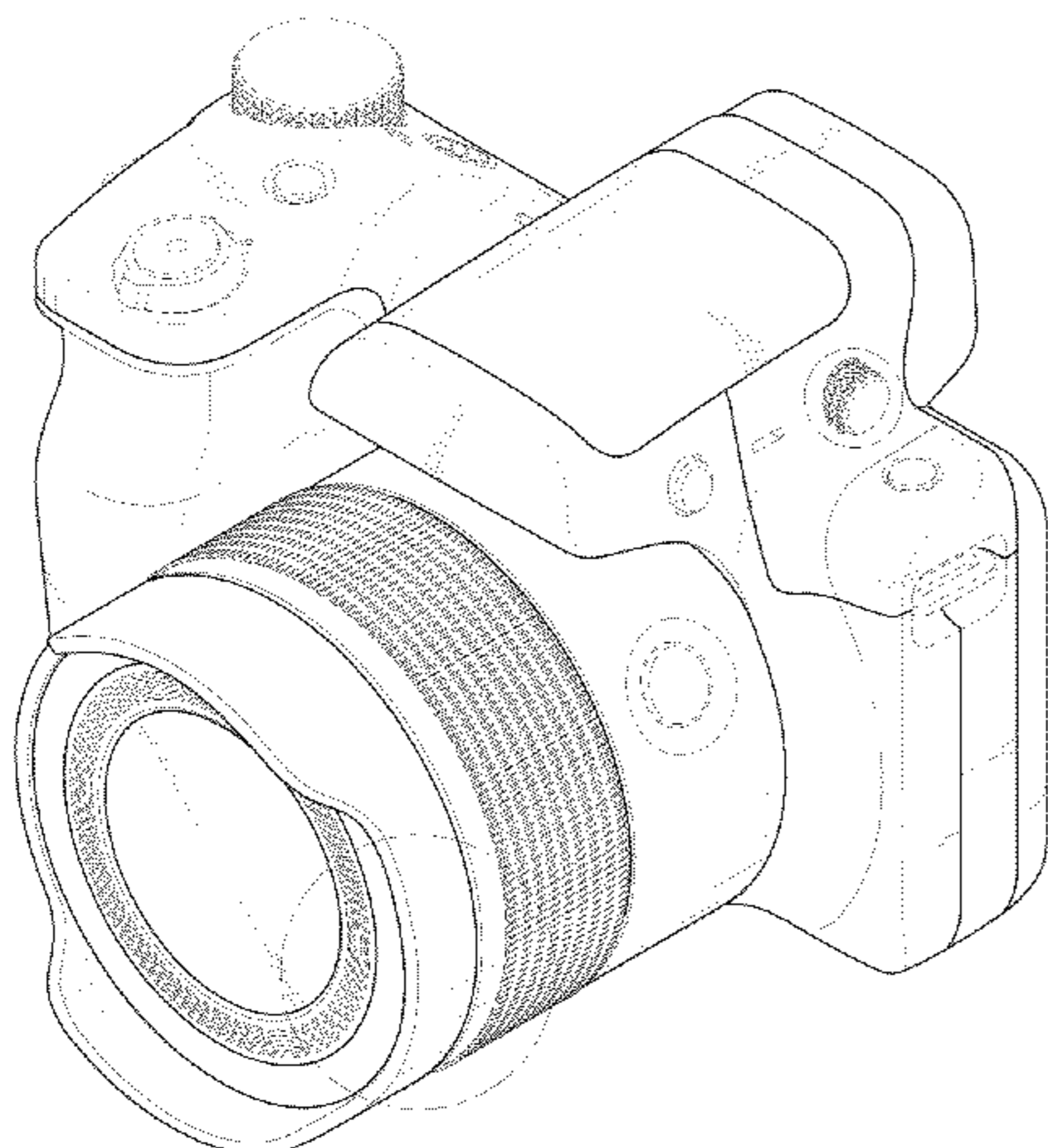


FIG. 1

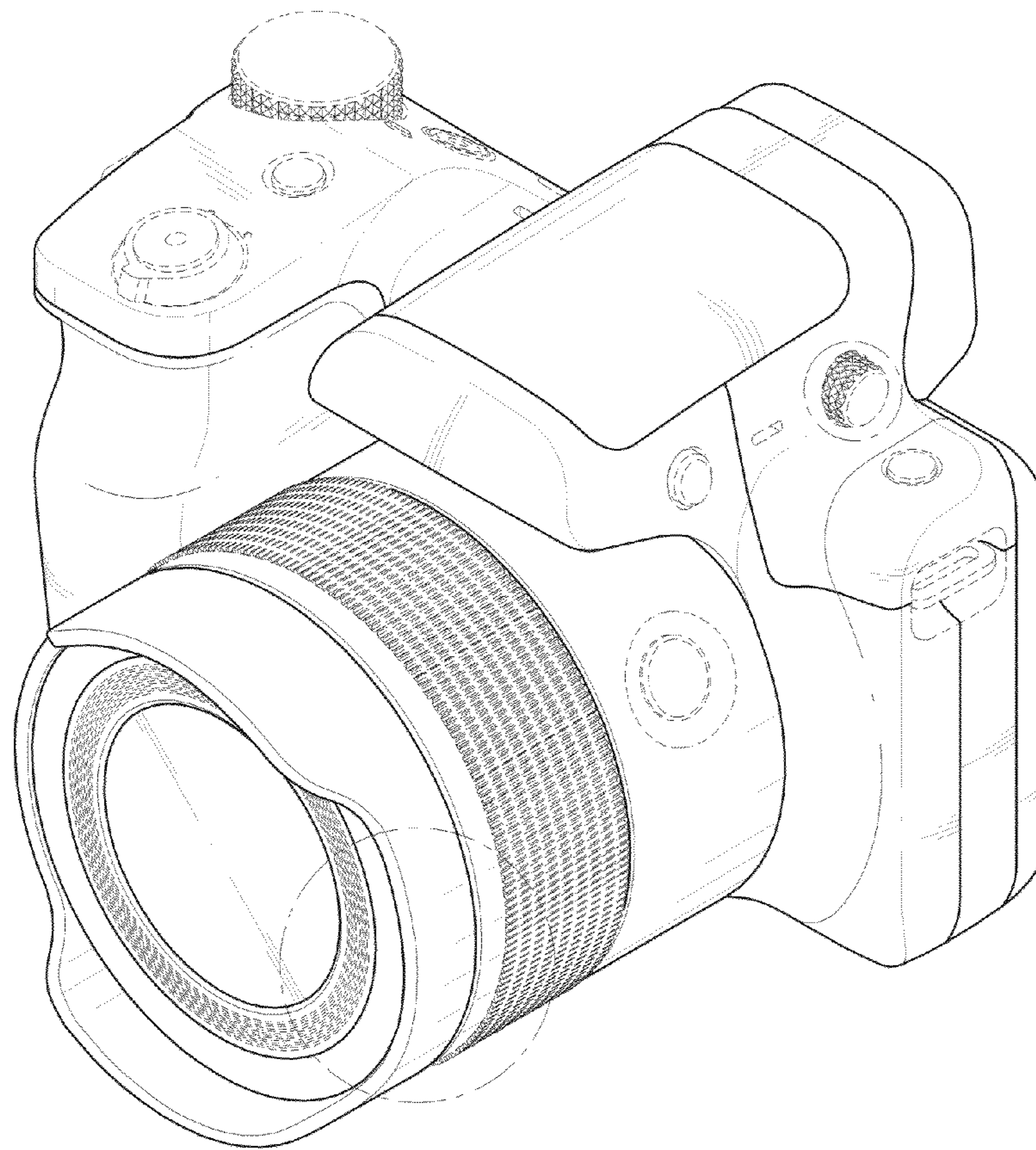


FIG.2

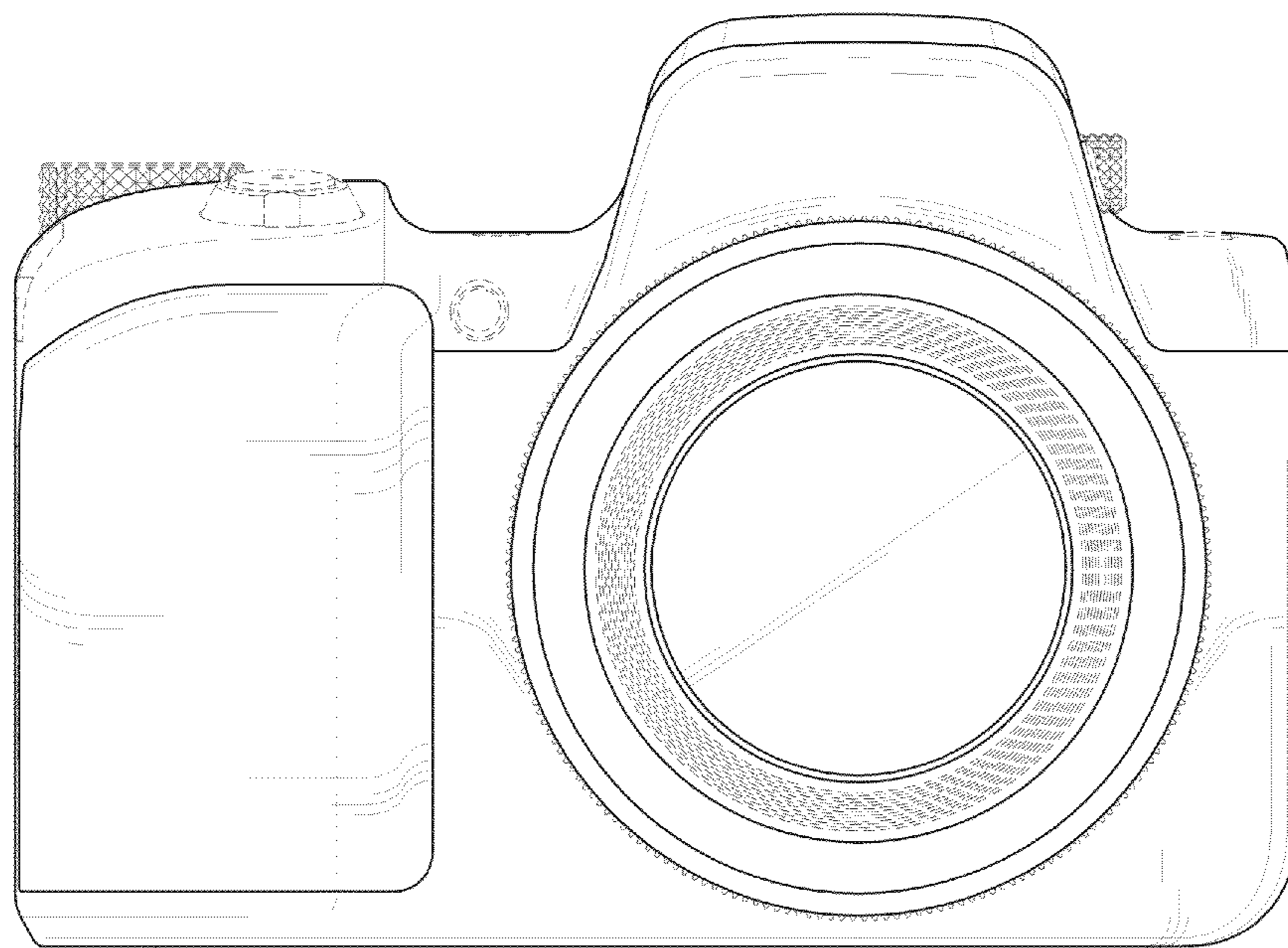




FIG. 3

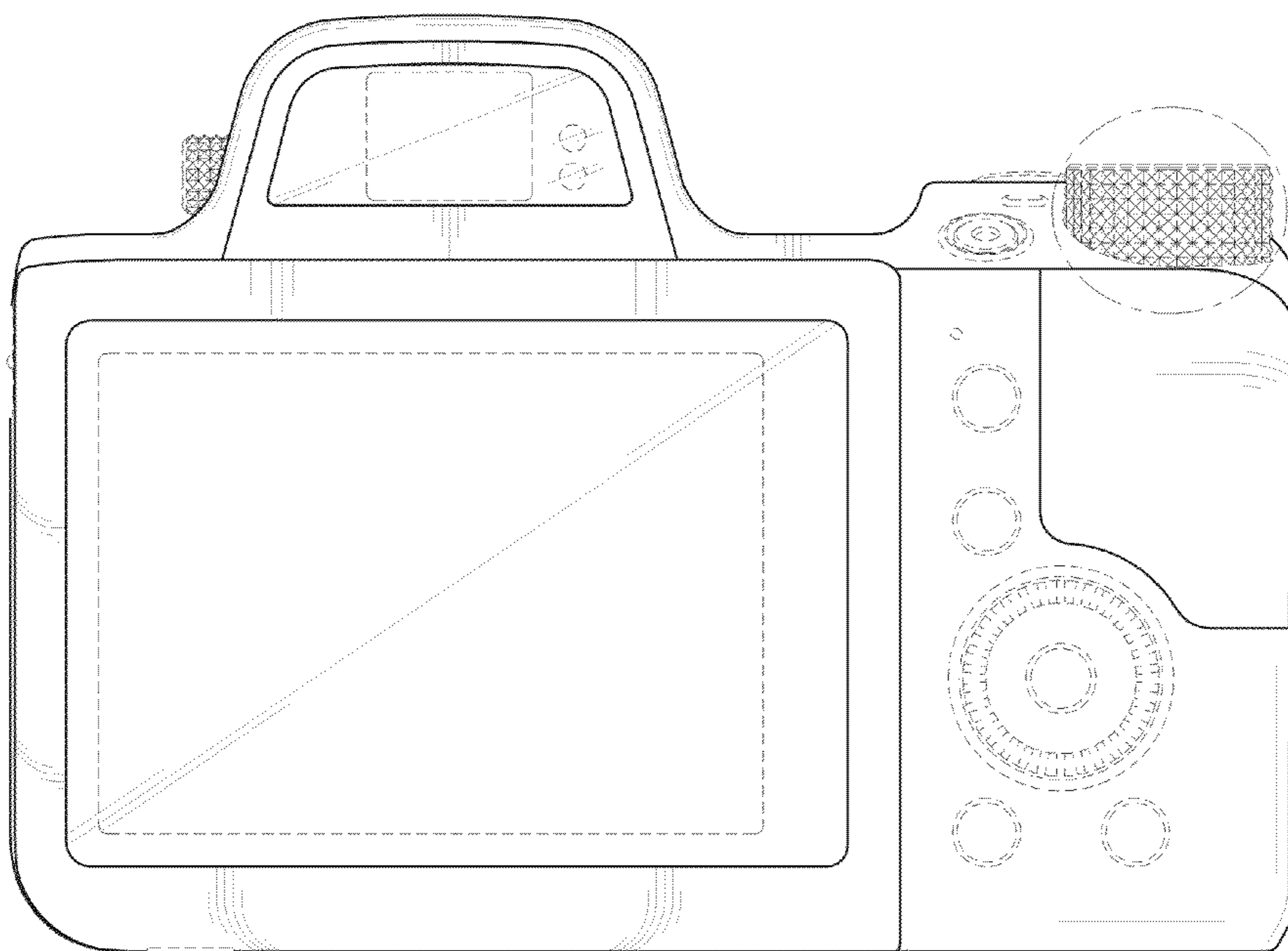


FIG. 4

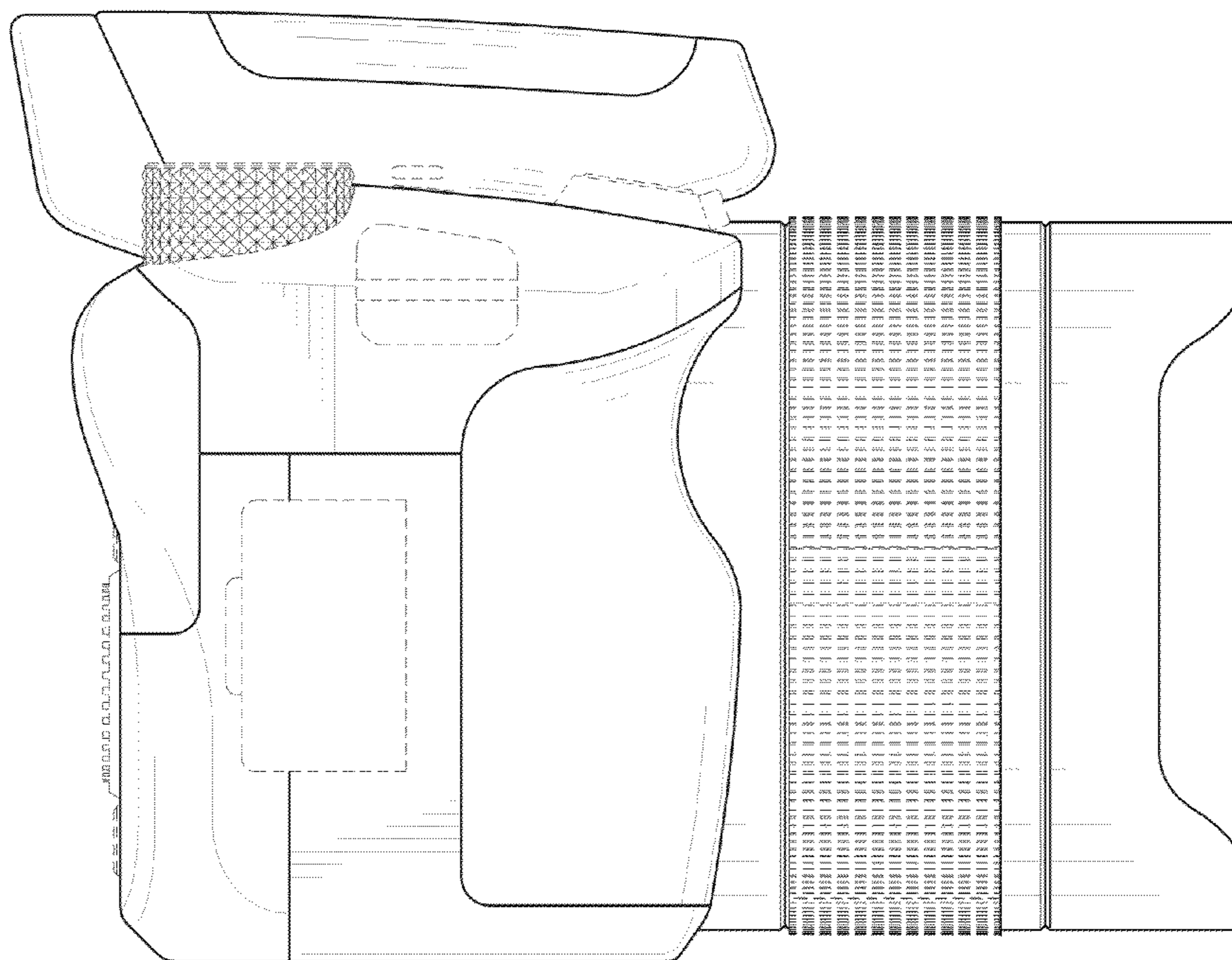


FIG. 5

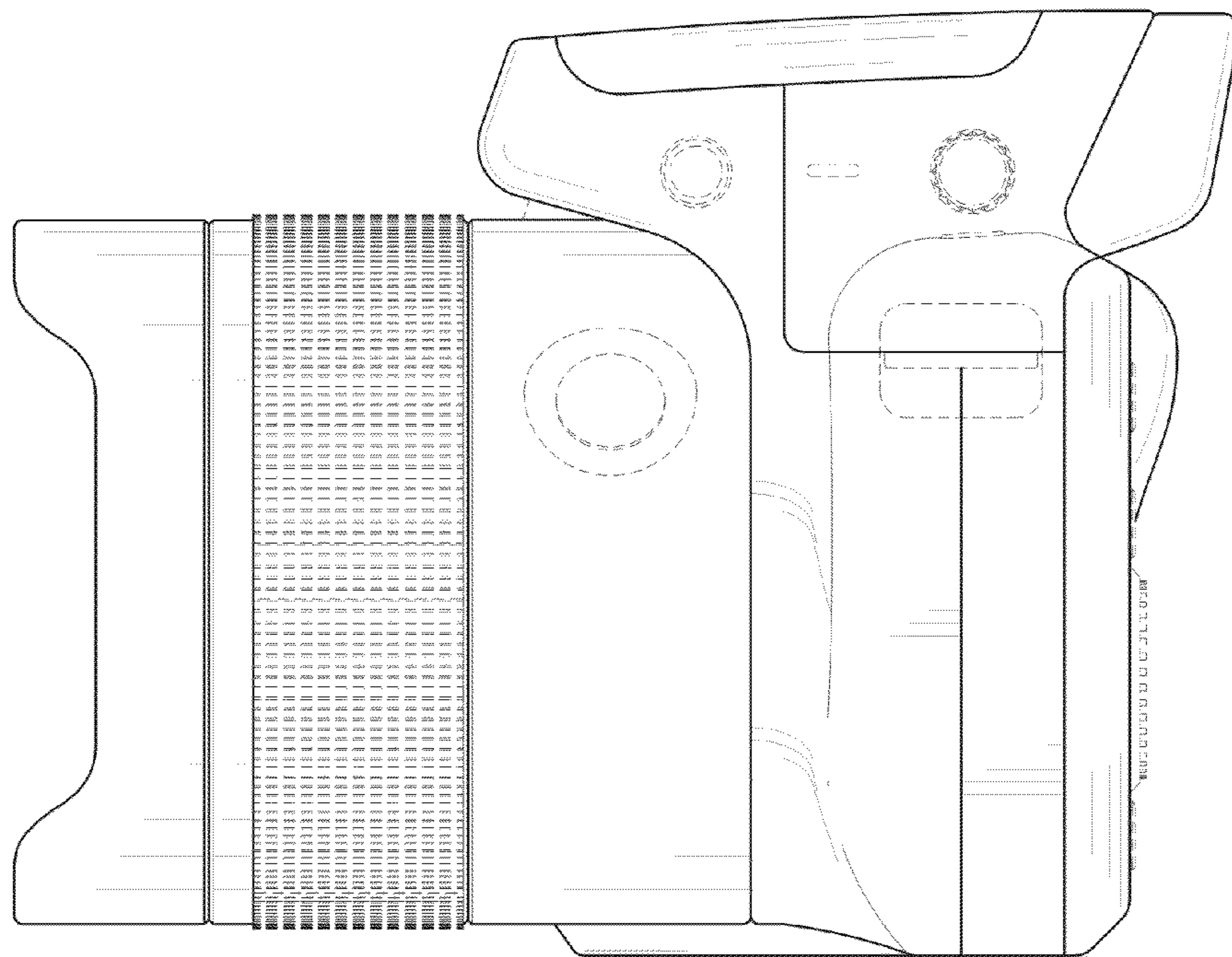


FIG. 6

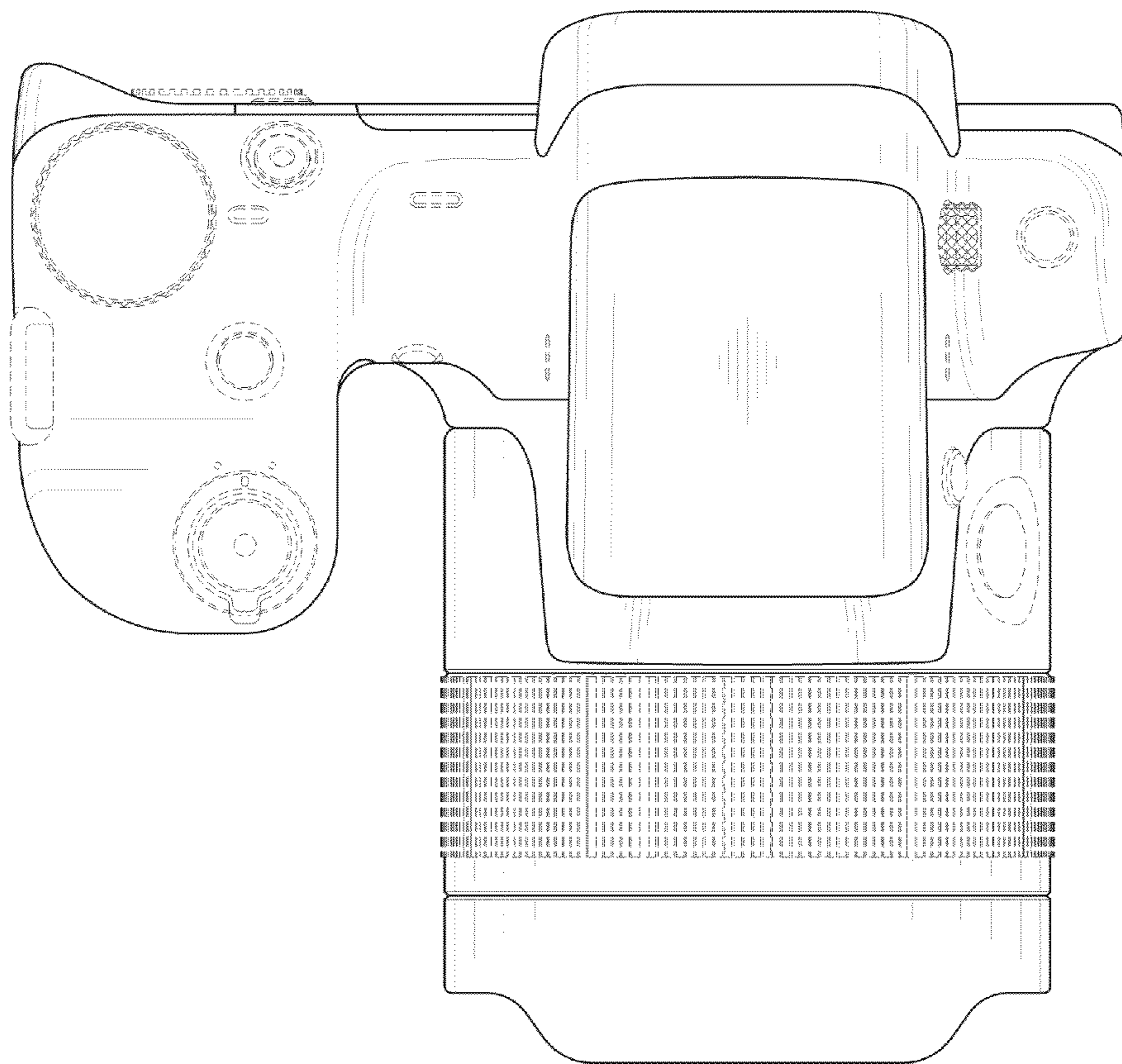


FIG. 7

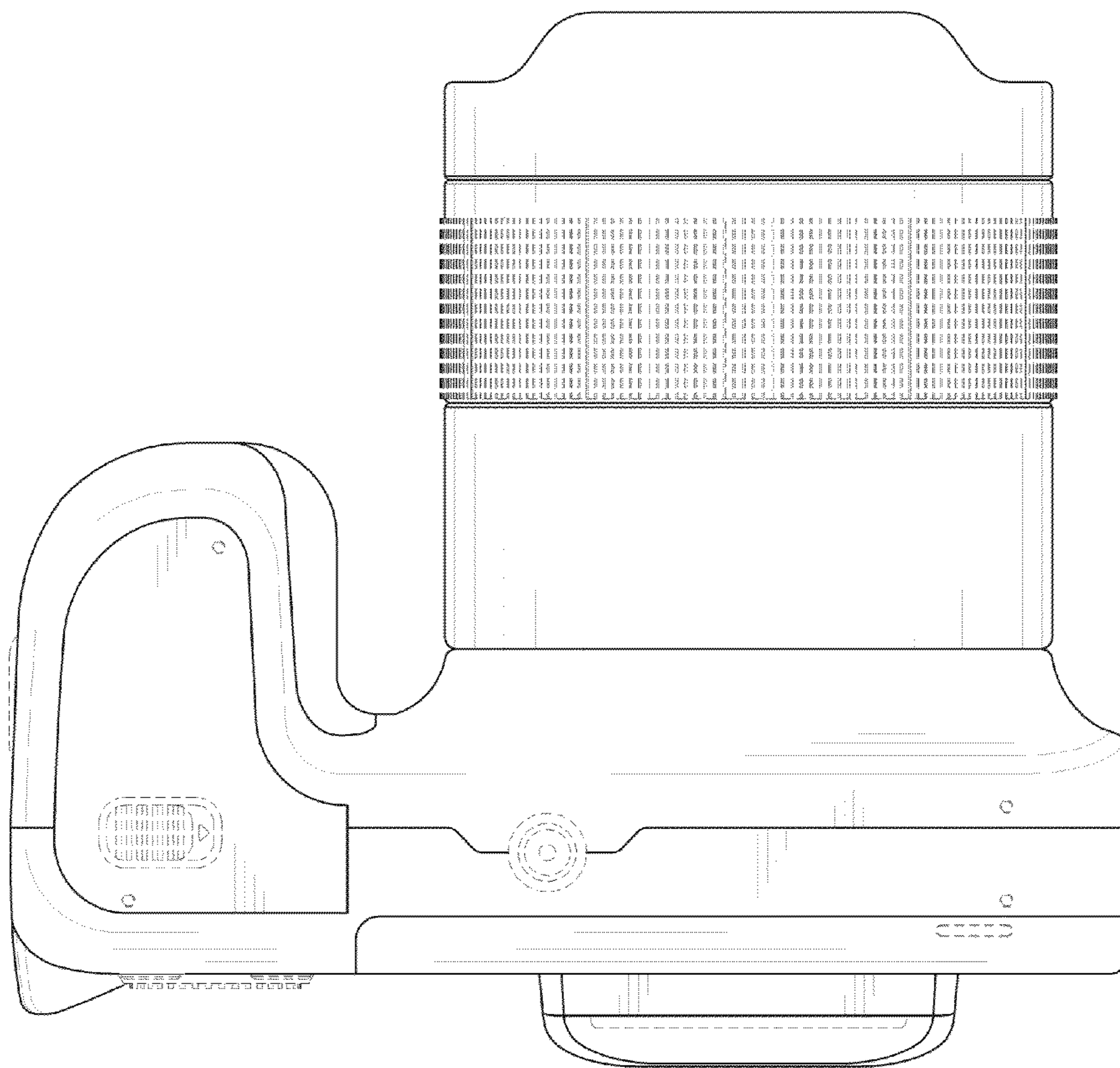




FIG. 8

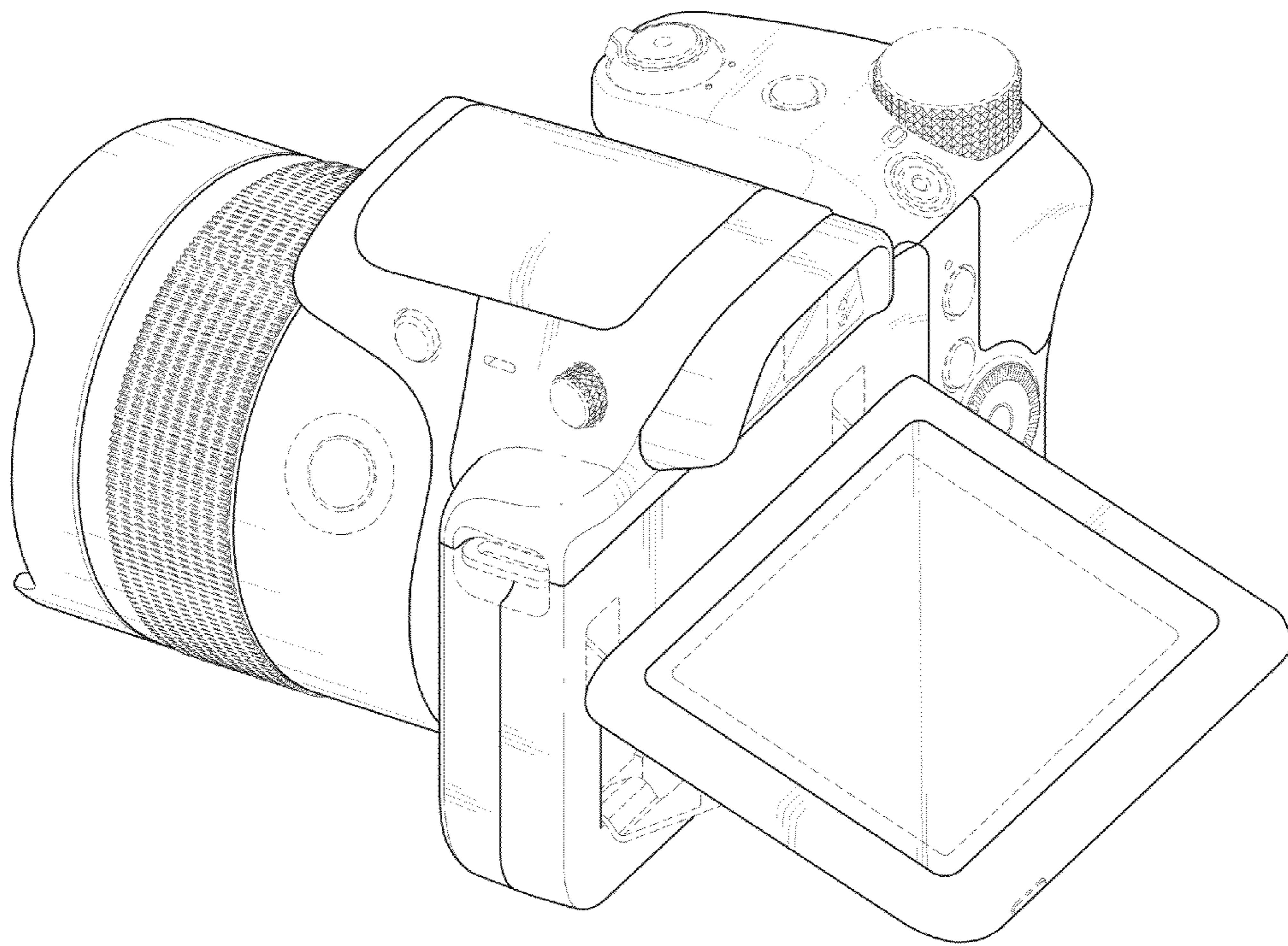


FIG. 9

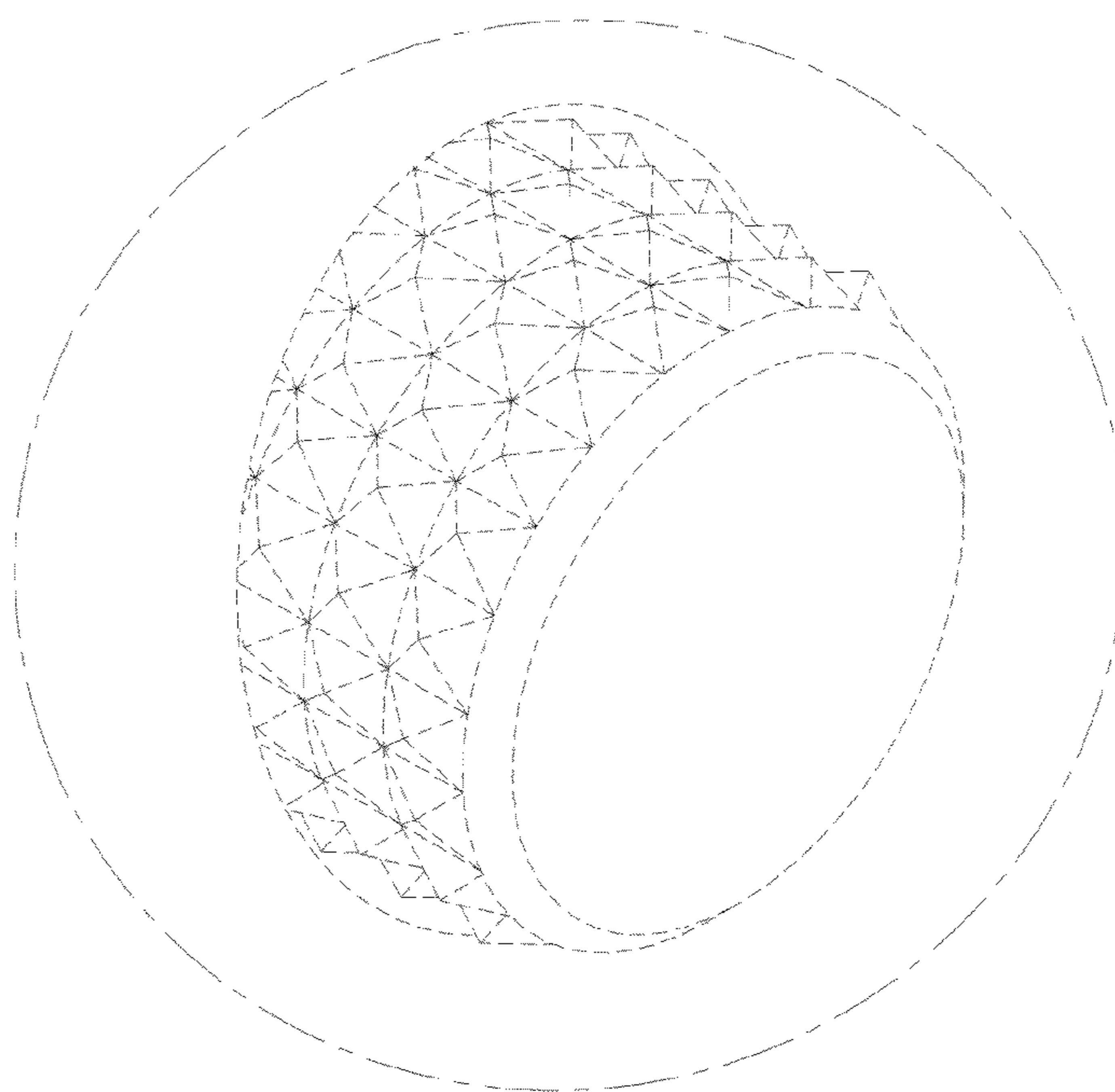


FIG. 10

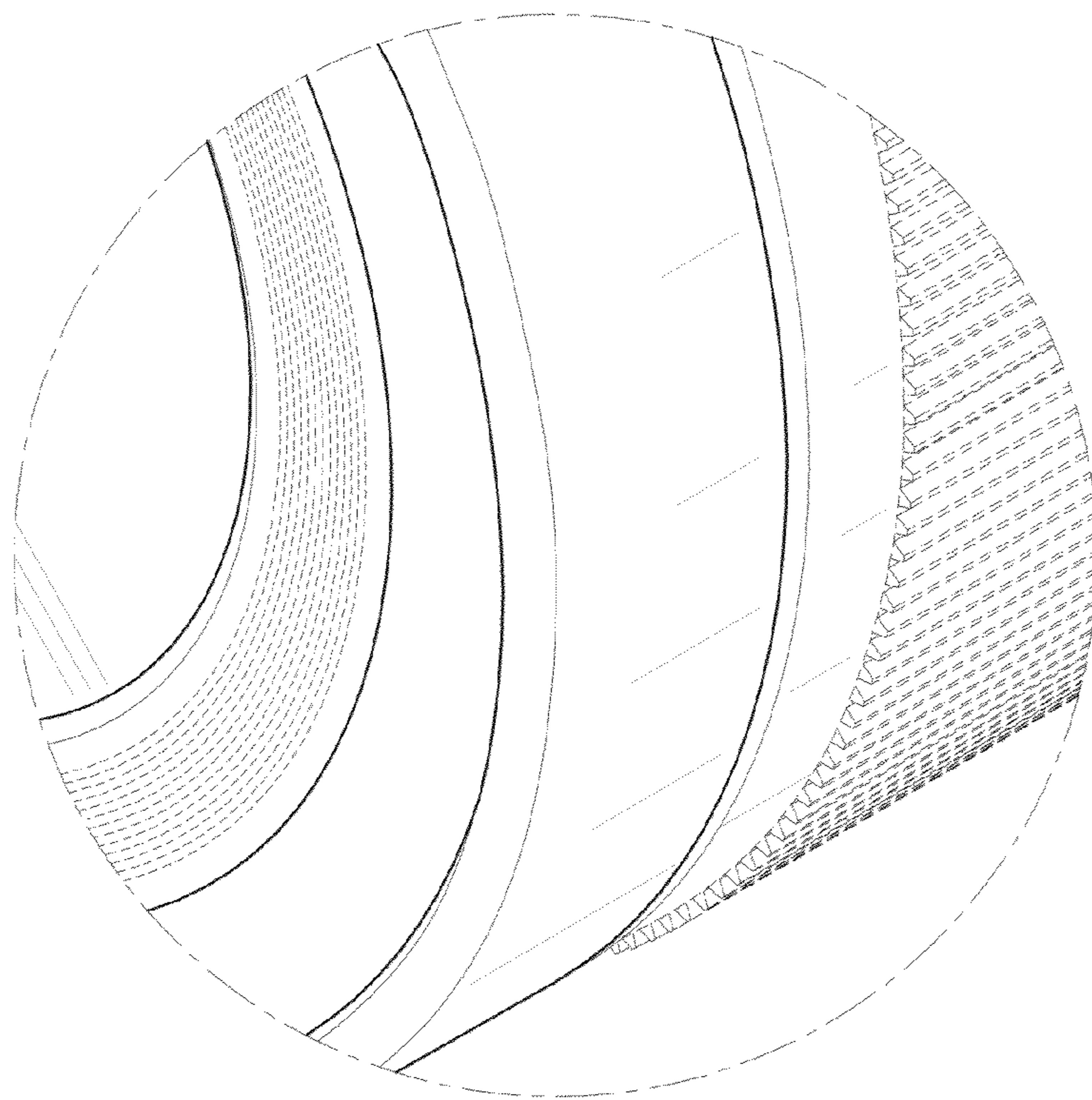


FIG. 11

