



US00D724129S

(12) **United States Design Patent**
Marsiglia et al.

(10) **Patent No.:** **US D724,129 S**
(45) **Date of Patent:** **** Mar. 10, 2015**

- (54) **SPOTTING SCOPE**
- (71) Applicants: **Andre Marsiglia**, Bad Vigaun (AT); **Nils Radau**, Salzburg (AT)
- (72) Inventors: **Andre Marsiglia**, Bad Vigaun (AT); **Nils Radau**, Salzburg (AT)
- (73) Assignee: **Carl Zeiss Sports Optics GmbH**, Wetzlar (DE)
- (**) Term: **14 Years**
- (21) Appl. No.: **29/475,571**
- (22) Filed: **Dec. 4, 2013**
- (51) **LOC (10) Cl.** **16-06**
- (52) **U.S. Cl.**
USPC **D16/132**
- (58) **Field of Classification Search**
CPC G02B 23/00
USPC D16/132, 130; D21/403, 483, 514;
D22/108, 109; 250/214 VT; 359/399,
359/400, 350, 351, 419, 420, 422, 423, 617,
359/827
See application file for complete search history.

D454,898 S *	3/2002	Ogasawara et al.	D16/132
D479,255 S *	9/2003	Hamamura	D16/132
D482,709 S *	11/2003	Meinzer	D16/132
D513,274 S *	12/2005	Chen	D16/132
D550,263 S *	9/2007	Zhou	D16/132
D572,740 S *	7/2008	Kitera	D16/132
D573,167 S *	7/2008	Kitera	D16/134
D587,290 S *	2/2009	Meinzer	D16/132
D594,493 S *	6/2009	Chujo et al.	D16/132
D594,494 S *	6/2009	Chujo et al.	D16/132
D595,754 S *	7/2009	Hamilton	D16/132
D676,886 S *	2/2013	Hoshi	D16/132
D685,832 S *	7/2013	Wunnicke et al.	D16/132
D695,326 S *	12/2013	Hoelbl	D16/132
D695,327 S *	12/2013	Hoelbl	D16/132
D707,324 S *	6/2014	Radau et al.	D22/109

* cited by examiner

Primary Examiner — Paula Greene

(74) Attorney, Agent, or Firm — Walter Ottesen P.A.

(57) **CLAIM**

The ornamental design for a spotting scope, as shown and described.

DESCRIPTION

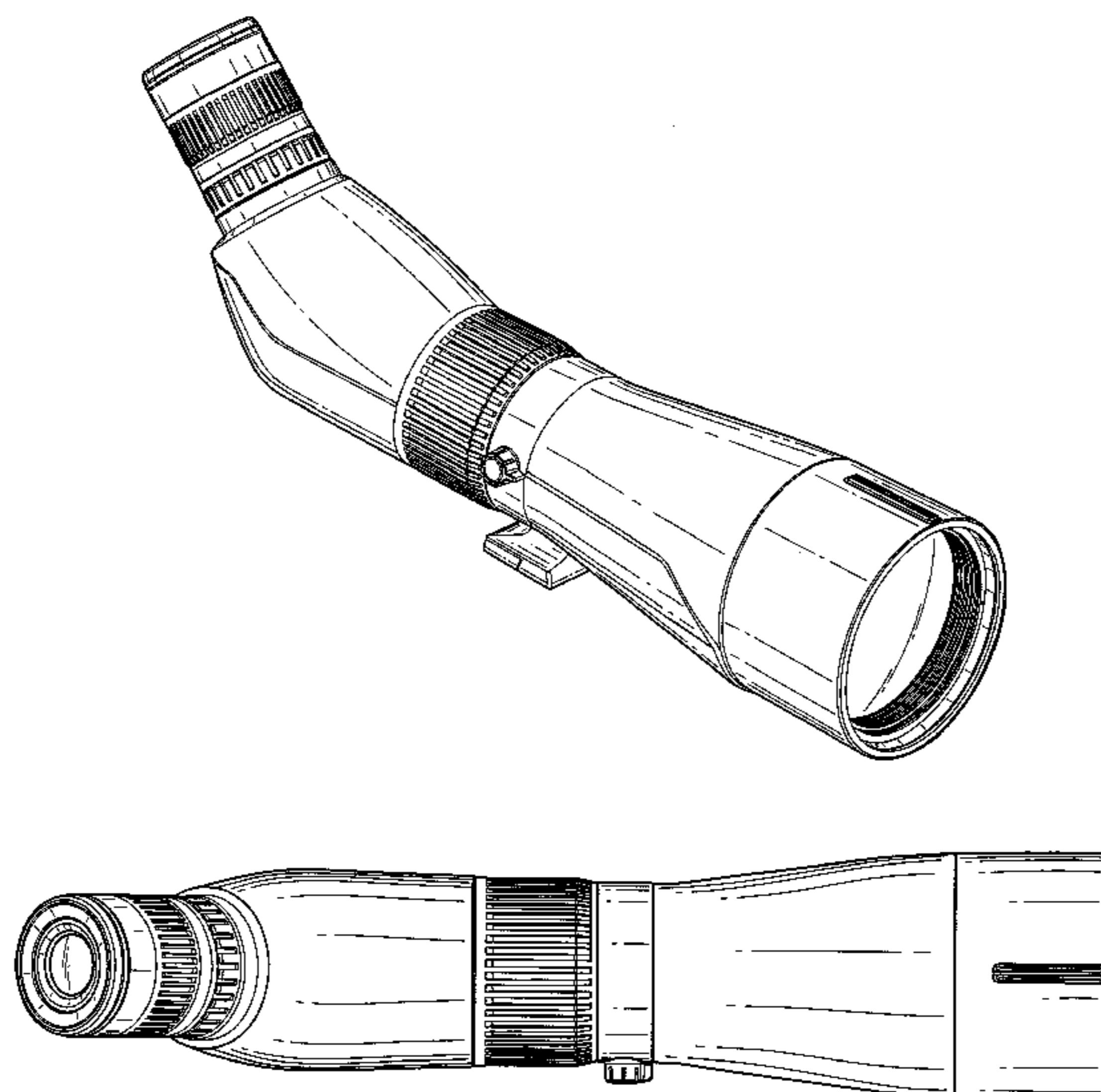
FIG. 1 is a perspective view of a spotting scope of our new design;
 FIG. 2 is a right side elevation view of the spotting scope of FIG. 1;
 FIG. 3 is a left side elevation view of the spotting scope of FIG. 1;
 FIG. 4 is a top plan view of the spotting scope of FIG. 1;
 FIG. 5 is a bottom plan view of the spotting scope of FIG. 1;
 FIG. 6 is a rear elevation view of the spotting scope of FIG. 1;
 and,
 FIG. 7 is a front elevation view of the spotting scope of FIG. 1.

1 Claim, 6 Drawing Sheets

(56) **References Cited**

U.S. PATENT DOCUMENTS

D123,486 S *	11/1940	Miles	D16/132
3,028,792 A *	4/1962	Krajowsky et al.	359/422
D196,531 S *	10/1963	Hoogesteger	D16/132
D272,916 S *	3/1984	Tomatsuri et al.	D16/132
D285,698 S *	9/1986	Ogasawara	D16/132
D285,802 S *	9/1986	Ogasawara	D16/132
D338,479 S *	8/1993	Takahashi	D16/134
D374,021 S *	9/1996	Meinzer	D16/132
5,946,132 A *	8/1999	Phillips	359/351



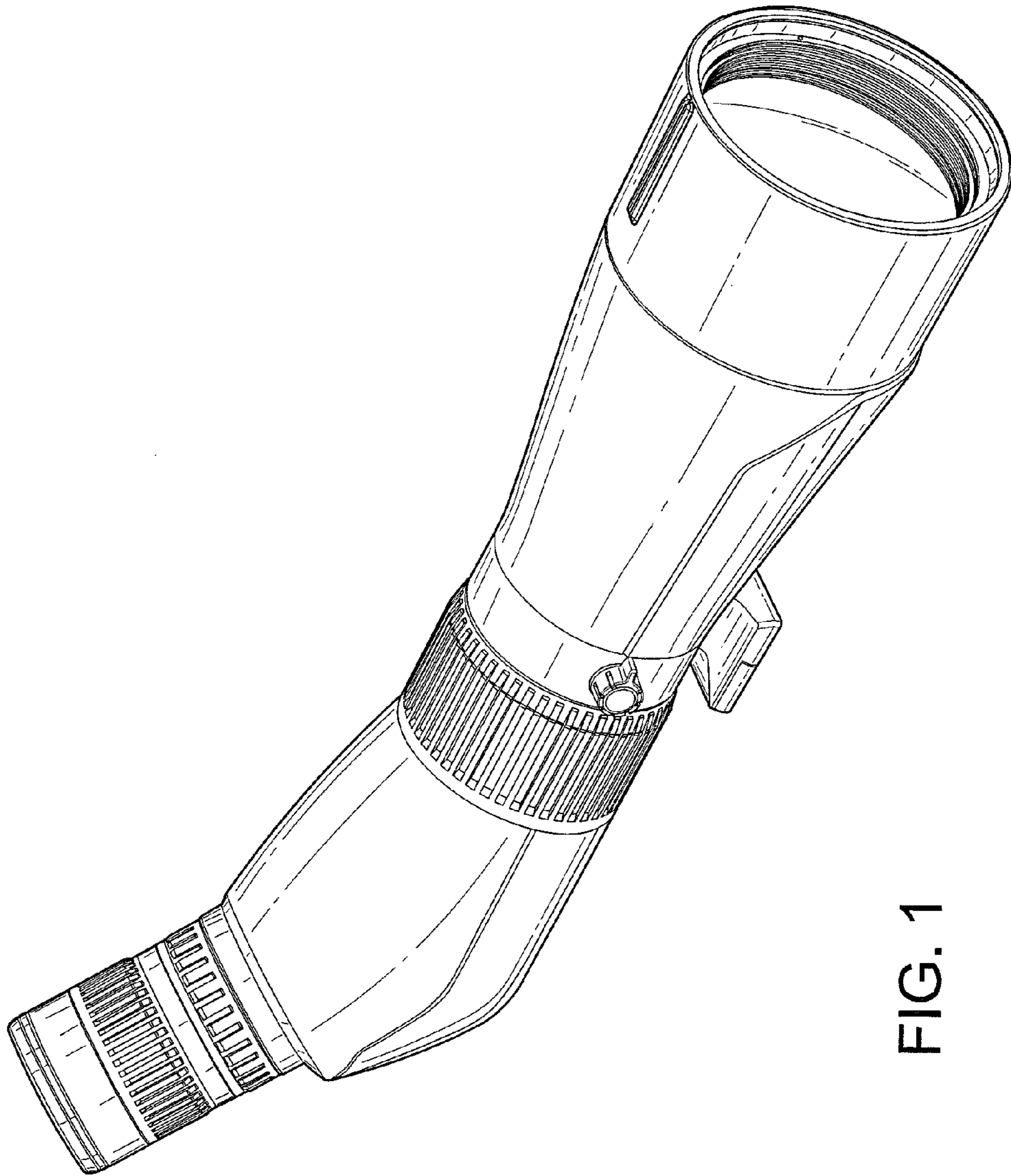


FIG. 1

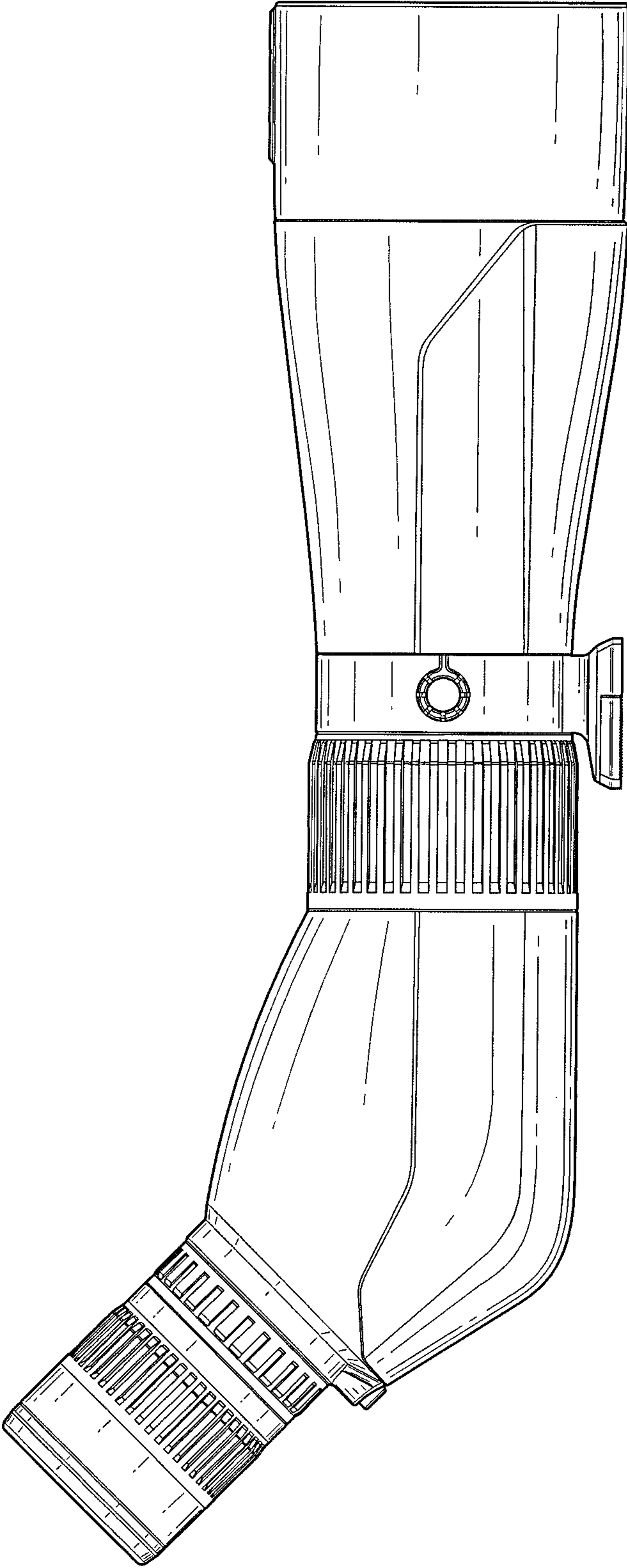


FIG. 2

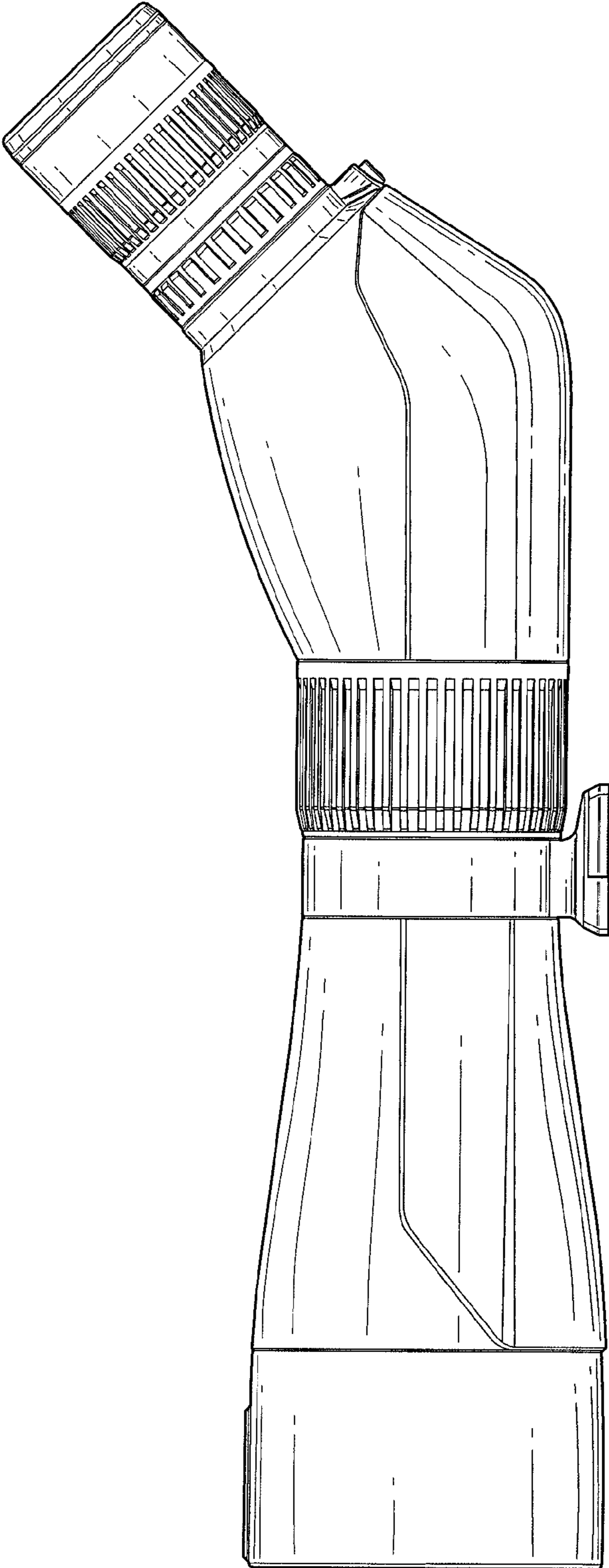


FIG. 3

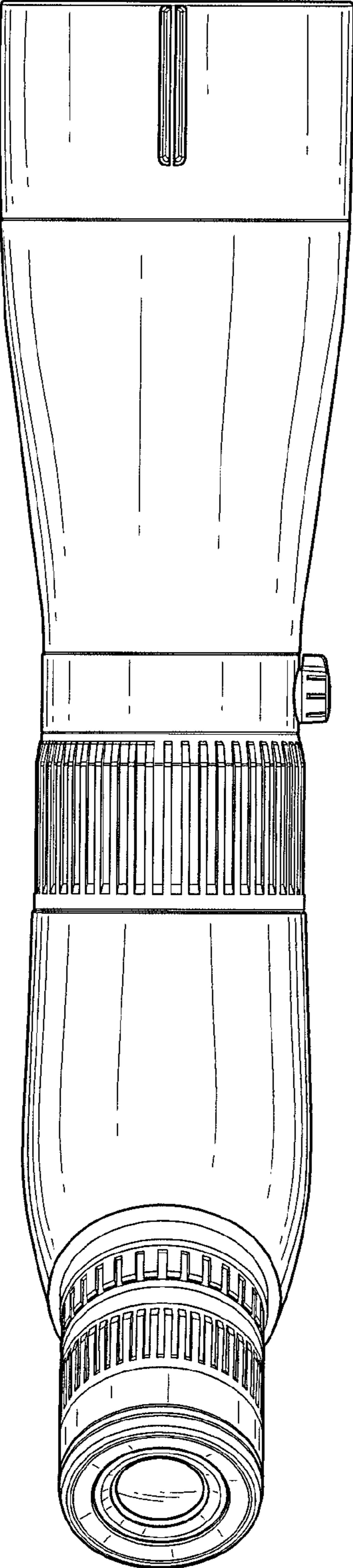


FIG. 4

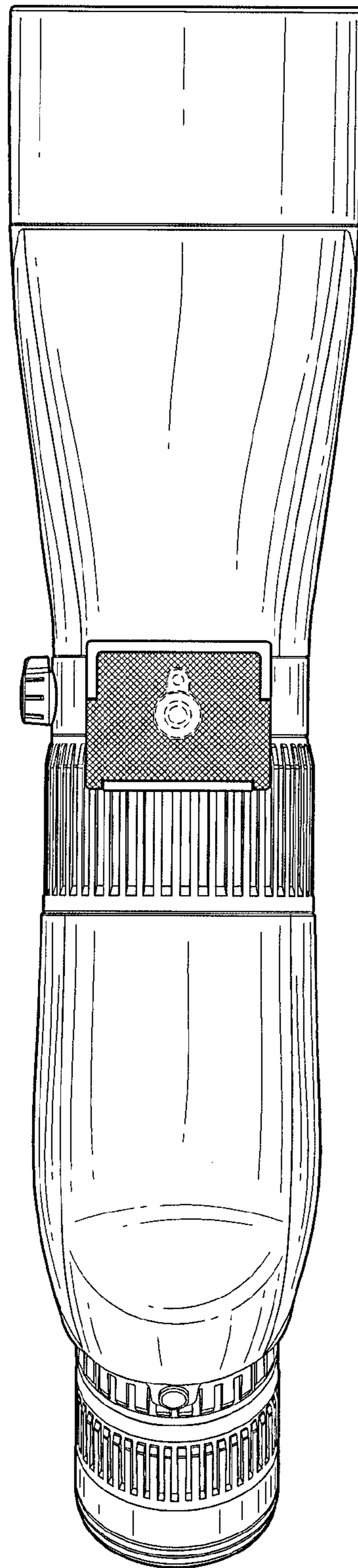


FIG. 5

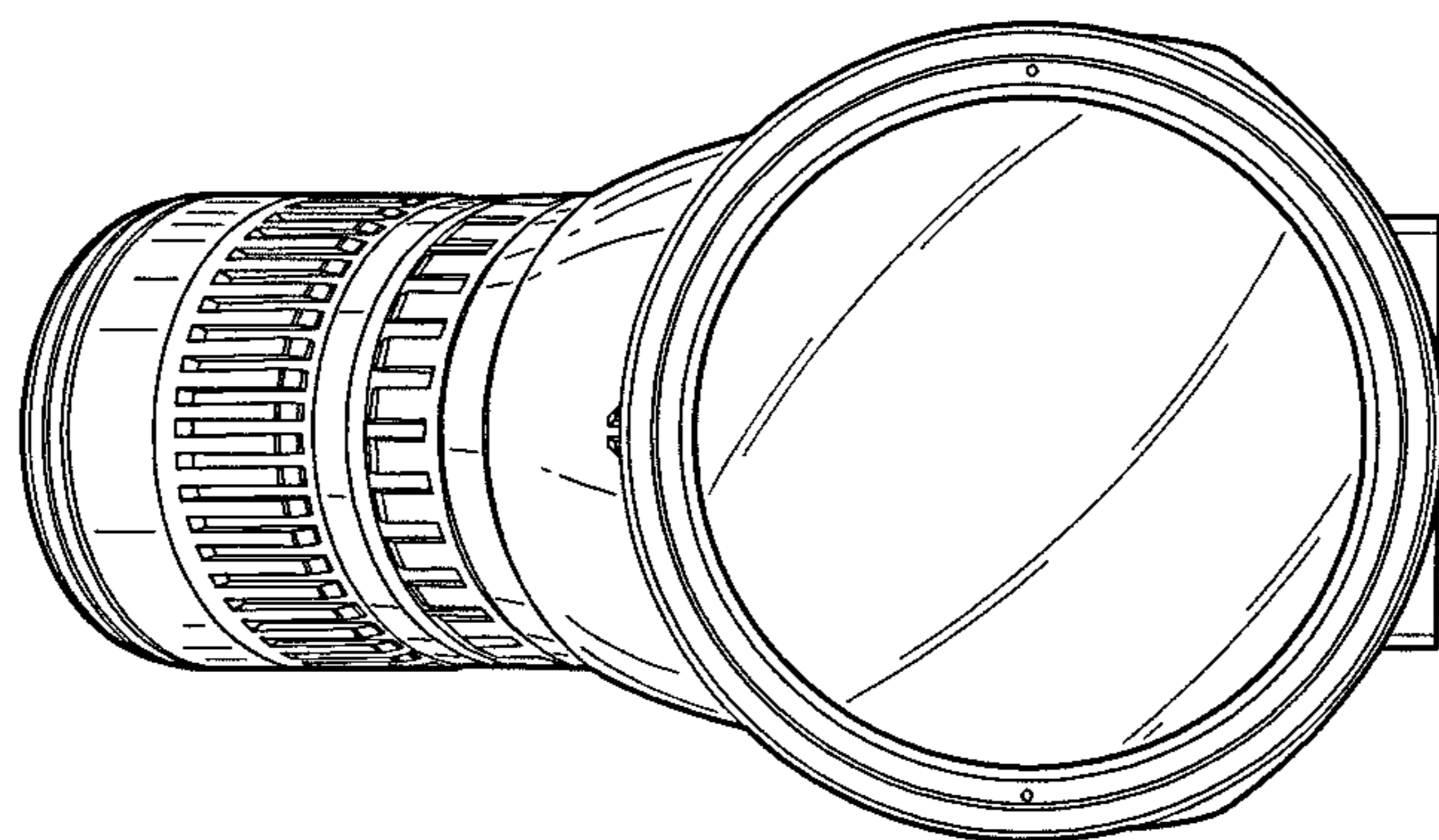


FIG. 7

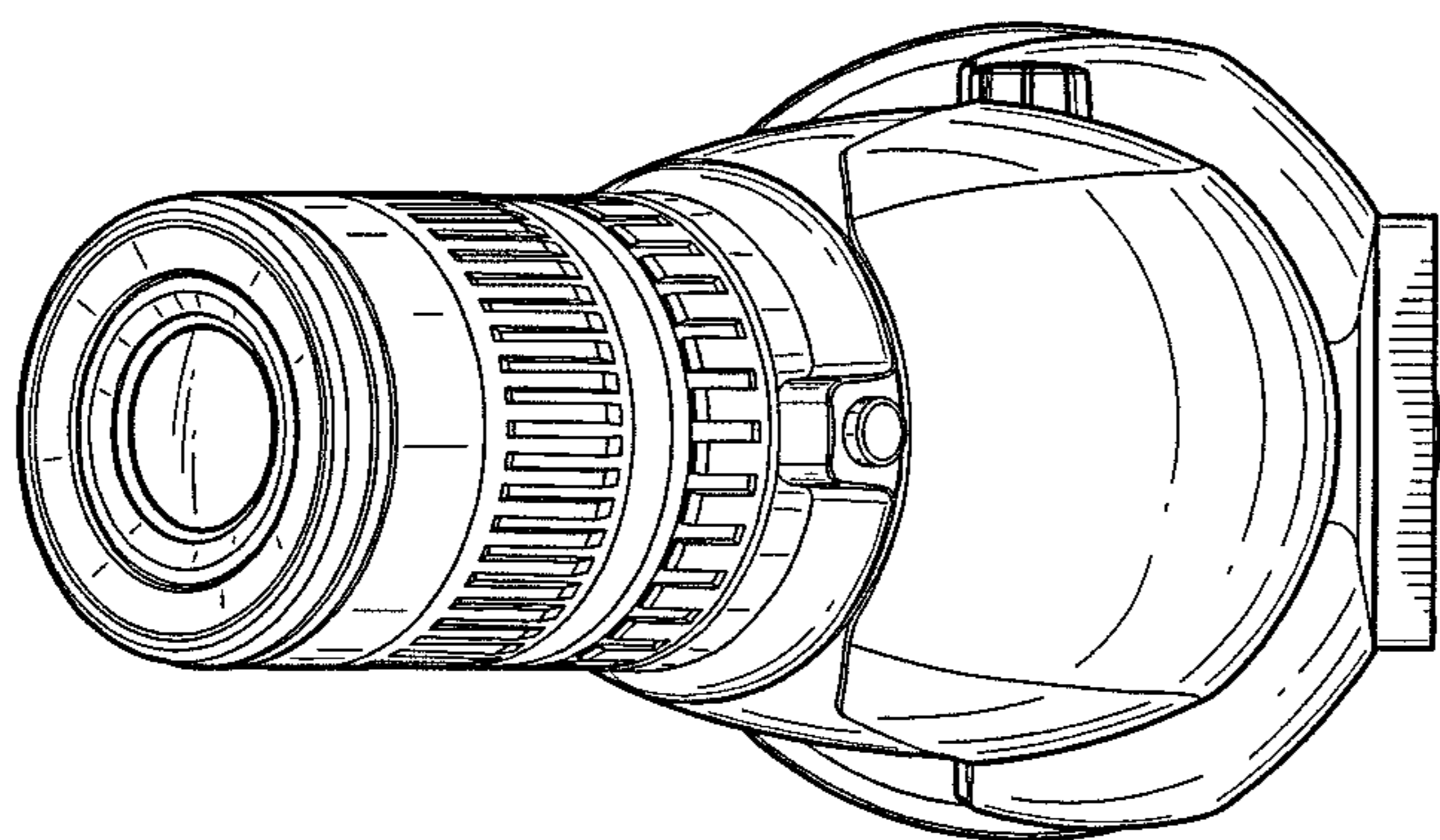


FIG. 6