



US00D724128S

(12) **United States Design Patent**
Muraoka et al.

(10) **Patent No.:** **US D724,128 S**
(45) **Date of Patent:** **** Mar. 10, 2015**

(54) **PROBE MICROSCOPE**

(71) Applicant: **Shimadzu Corporation**, Kyoto (JP)

(72) Inventors: **Hiroshi Muraoka**, Kyoto (JP); **Masato Hirade**, Kyoto (JP)

(73) Assignee: **Shimadzu Corporation**, Kyoto (JP)

(**) Term: **14 Years**

(21) Appl. No.: **29/477,220**

(22) Filed: **Dec. 20, 2013**

(30) **Foreign Application Priority Data**

Sep. 3, 2013 (JP) 2013-020373

(51) **LOC (10) Cl.** **16-06**

(52) **U.S. Cl.**
USPC **D16/131**

(58) **Field of Classification Search**
CPC G02B 1/00
USPC D16/131, 130; D24/160, 186, 217, 107,
D24/232, 234; D9/422; D10/81; 250/310,
250/311, 201.3; 359/368, 370, 371, 372,
359/383, 384, 385, 389, 390

See application file for complete search history.

(56) **References Cited**

U.S. PATENT DOCUMENTS

D112,253 S *	11/1938	Hayes	D15/85
D141,832 S *	7/1945	Holley	D16/131
D219,868 S *	2/1971	Madl	D9/422
D244,355 S *	5/1977	Mazie et al.	D9/432
4,812,029 A *	3/1989	Onanhian	359/383
D305,684 S *	1/1990	Kanewske et al.	D24/186
D314,049 S *	1/1991	Katayama	D24/186
D332,616 S *	1/1993	Hashimoto et al.	D16/131
D421,653 S *	3/2000	Purcell	D24/231

D430,304 S *	8/2000	Oonuma et al.	D24/233
7,321,462 B2 *	1/2008	Yamamoto	359/390
D571,385 S *	6/2008	Onuma et al.	D16/131
D588,276 S *	3/2009	Isozaki et al.	D24/232
D599,688 S *	9/2009	Ito	D10/81
D603,972 S *	11/2009	Petersen et al.	D24/216
D607,569 S *	1/2010	Yukikado et al.	D24/186
D608,810 S *	1/2010	Stoiakine	D16/131
D623,211 S *	9/2010	Oonuma et al.	D16/131
D625,749 S *	10/2010	Oonuma et al.	D16/131
D626,579 S *	11/2010	Oonuma et al.	D16/131
D632,323 S *	2/2011	Oonuma et al.	D16/131
D633,537 S *	3/2011	Oonuma et al.	D16/131
D633,538 S *	3/2011	Oonuma et al.	D16/131
D636,005 S *	4/2011	Oonuma et al.	D16/131
D656,978 S *	4/2012	Stoiakine	D16/131
D663,338 S *	7/2012	Okamoto et al.	D16/131
D674,830 S *	1/2013	Stoiakine	D16/131
D708,245 S *	7/2014	Matoba et al.	D16/131
D711,950 S *	8/2014	Matoba et al.	D16/131

* cited by examiner

Primary Examiner — Paula Greene

(74) *Attorney, Agent, or Firm* — Jianq Chyun IP Office

(57) **CLAIM**

The ornamental design for a probe microscope, as shown and described.

DESCRIPTION

FIG. 1 is a perspective view of a probe microscope showing our new design;

FIG. 2 is another perspective view thereof;

FIG. 3 is a front view thereof;

FIG. 4 is a rear view thereof;

FIG. 5 is a left side view thereof;

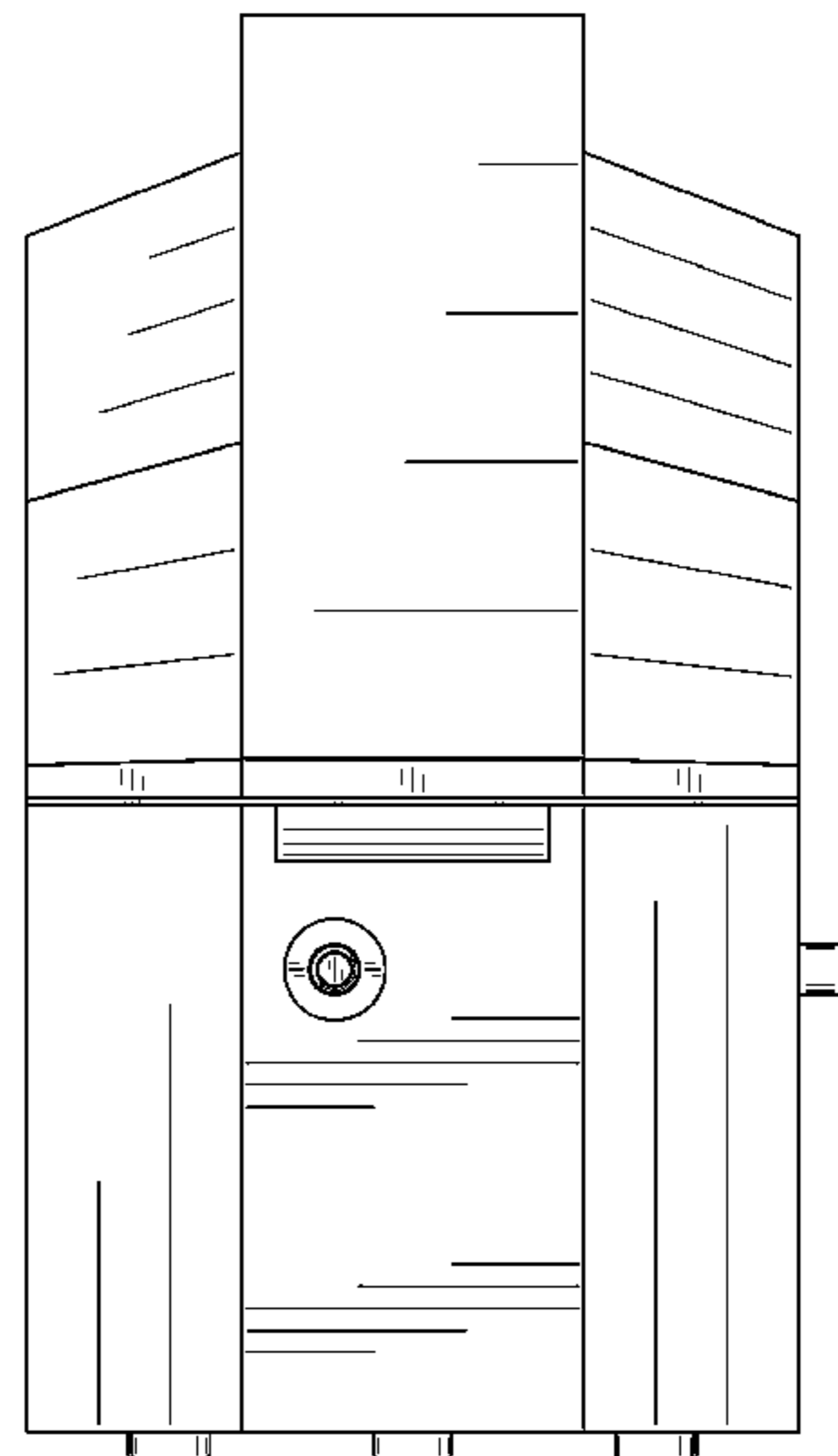
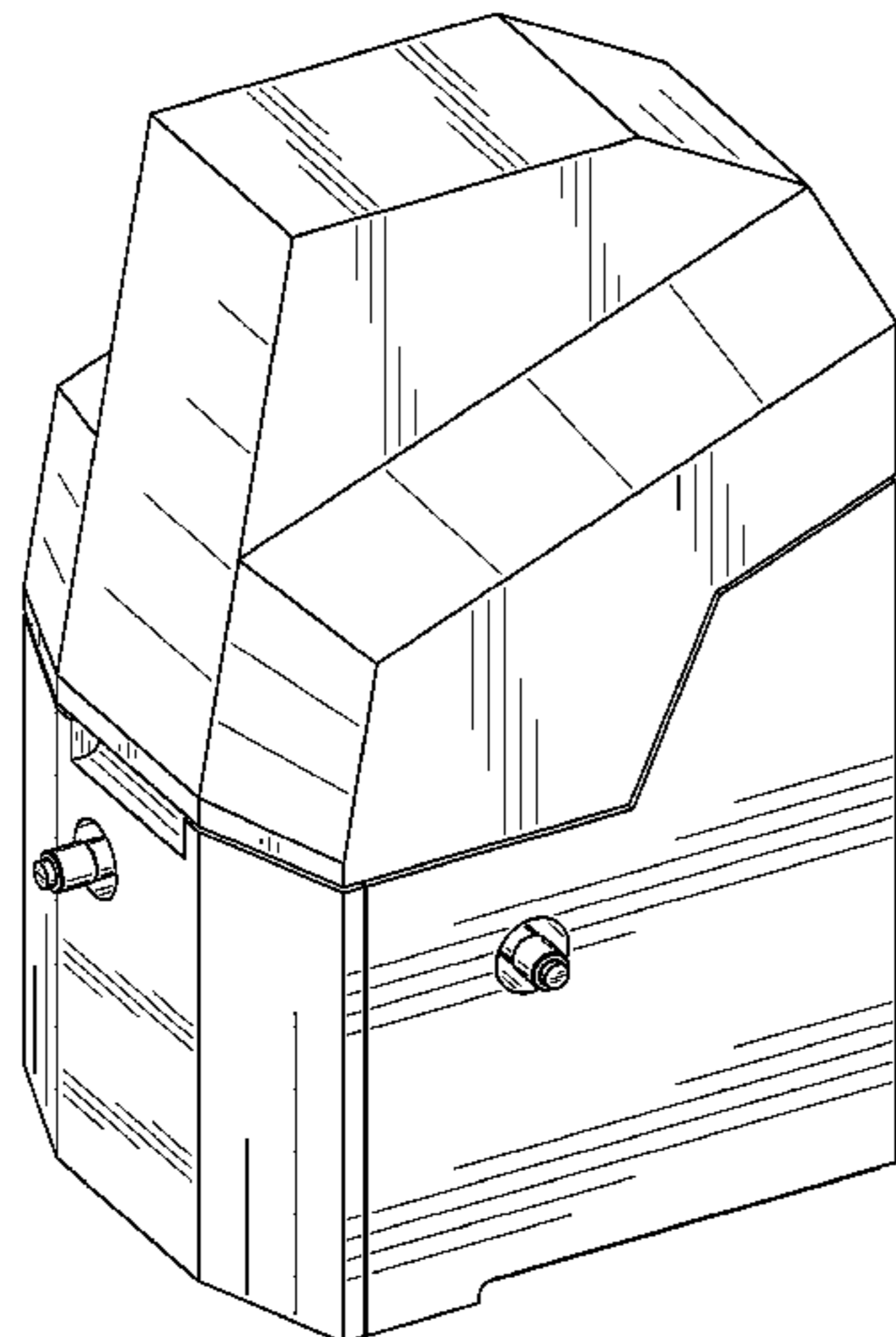
FIG. 6 is a right side view thereof;

FIG. 7 is a top view thereof; and,

FIG. 8 is a bottom view thereof.

The broken lines form no part of the claimed design.

1 Claim, 8 Drawing Sheets



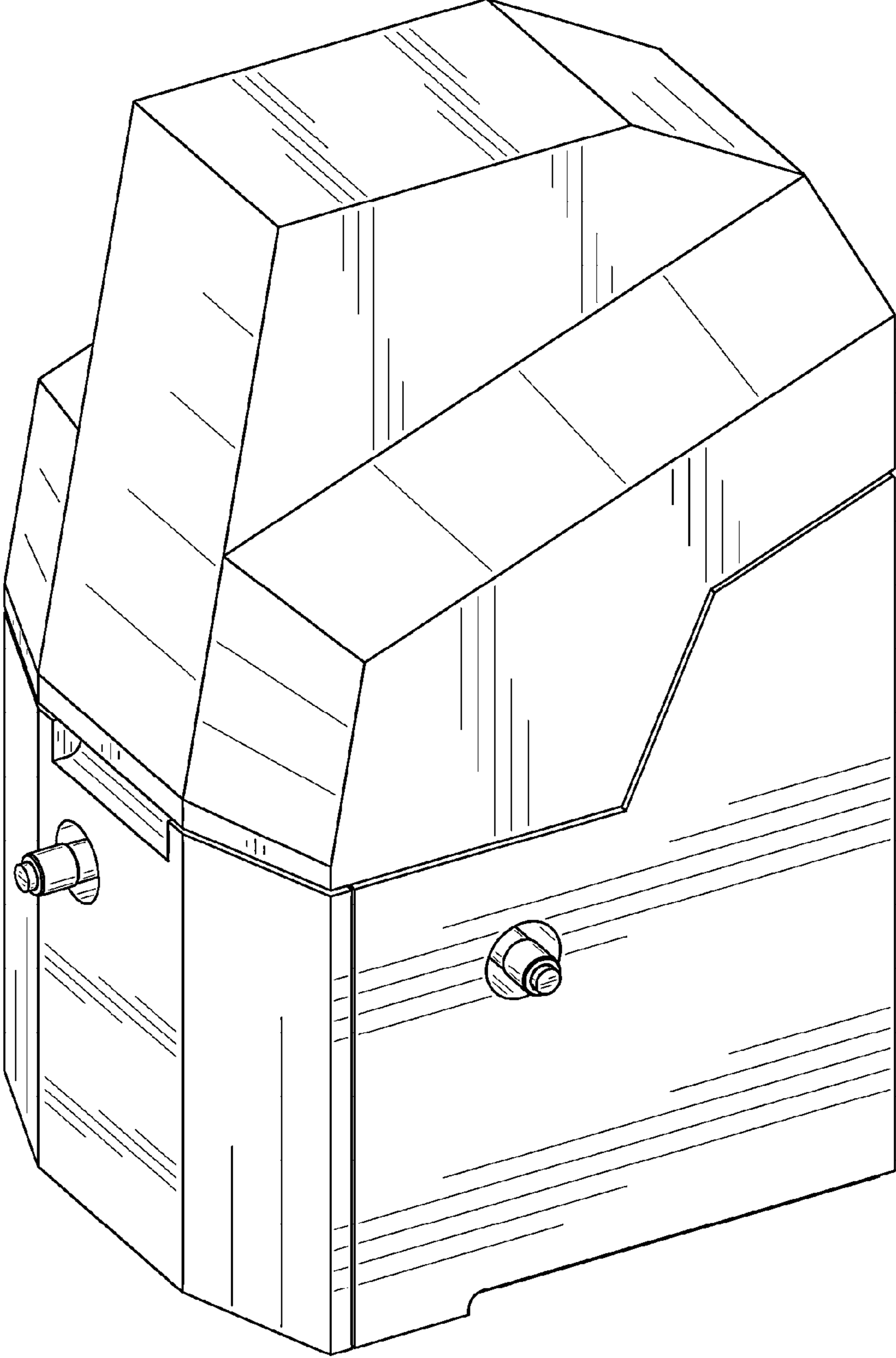


FIG. 1

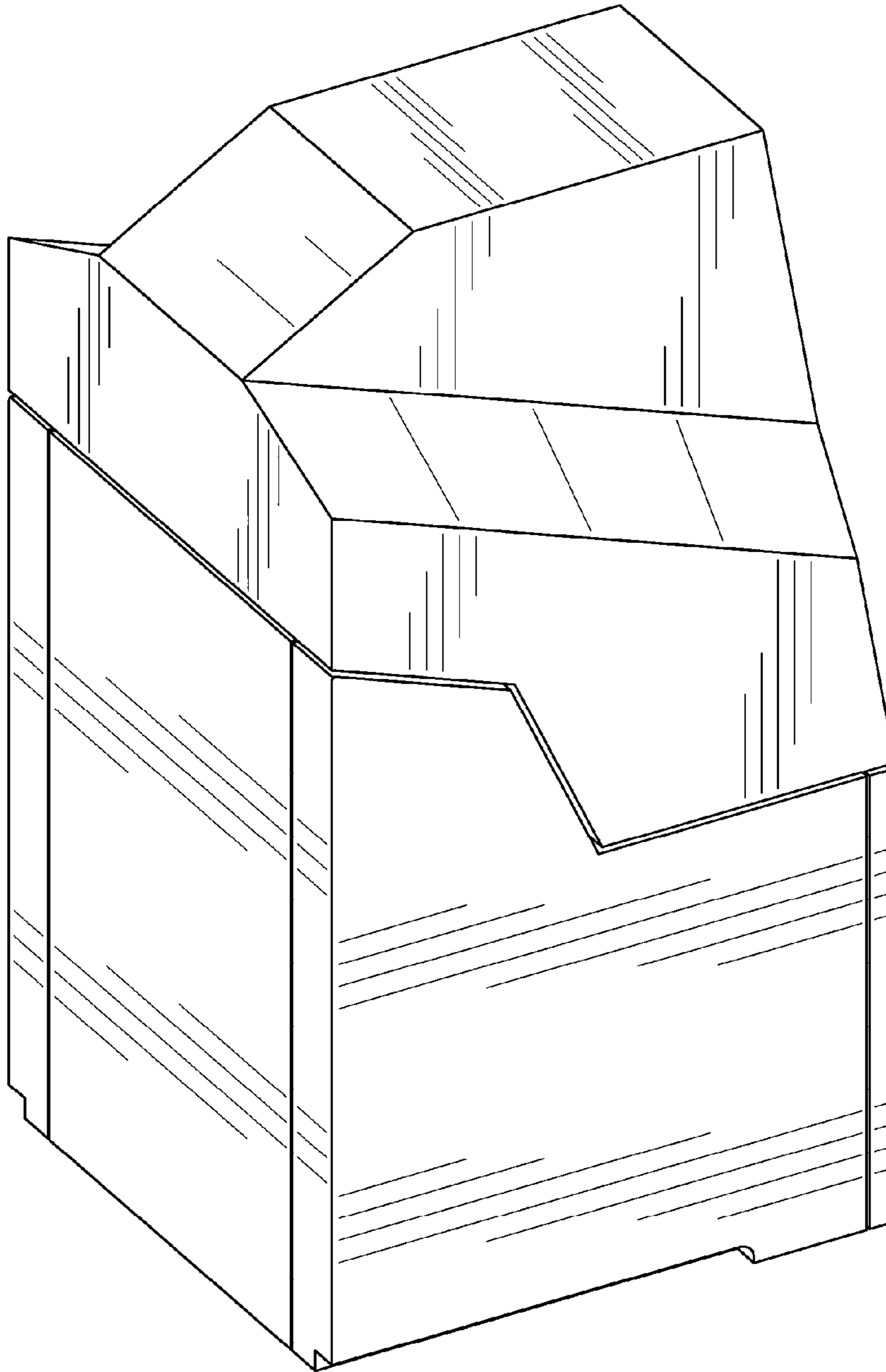


FIG. 2

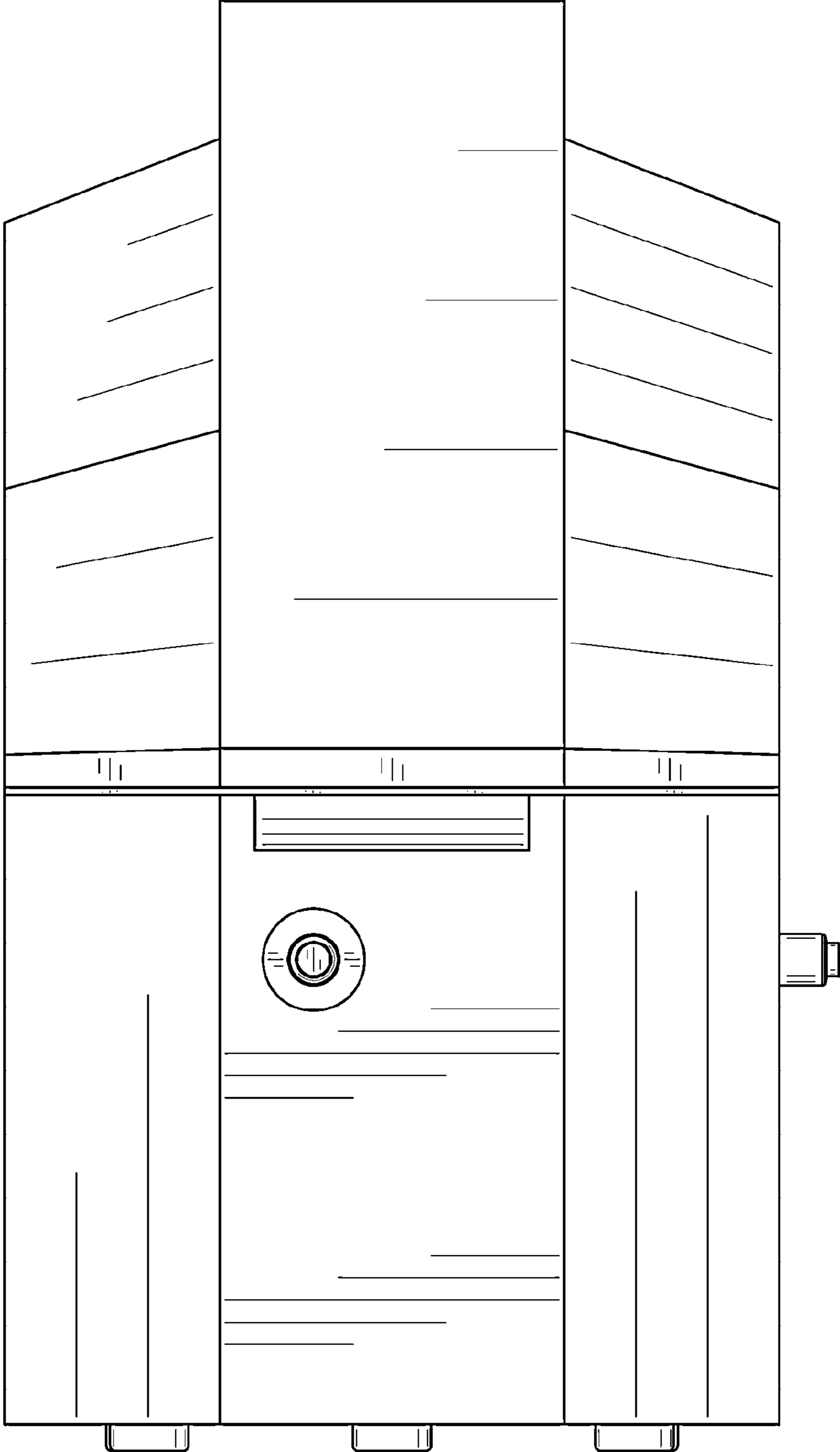


FIG. 3

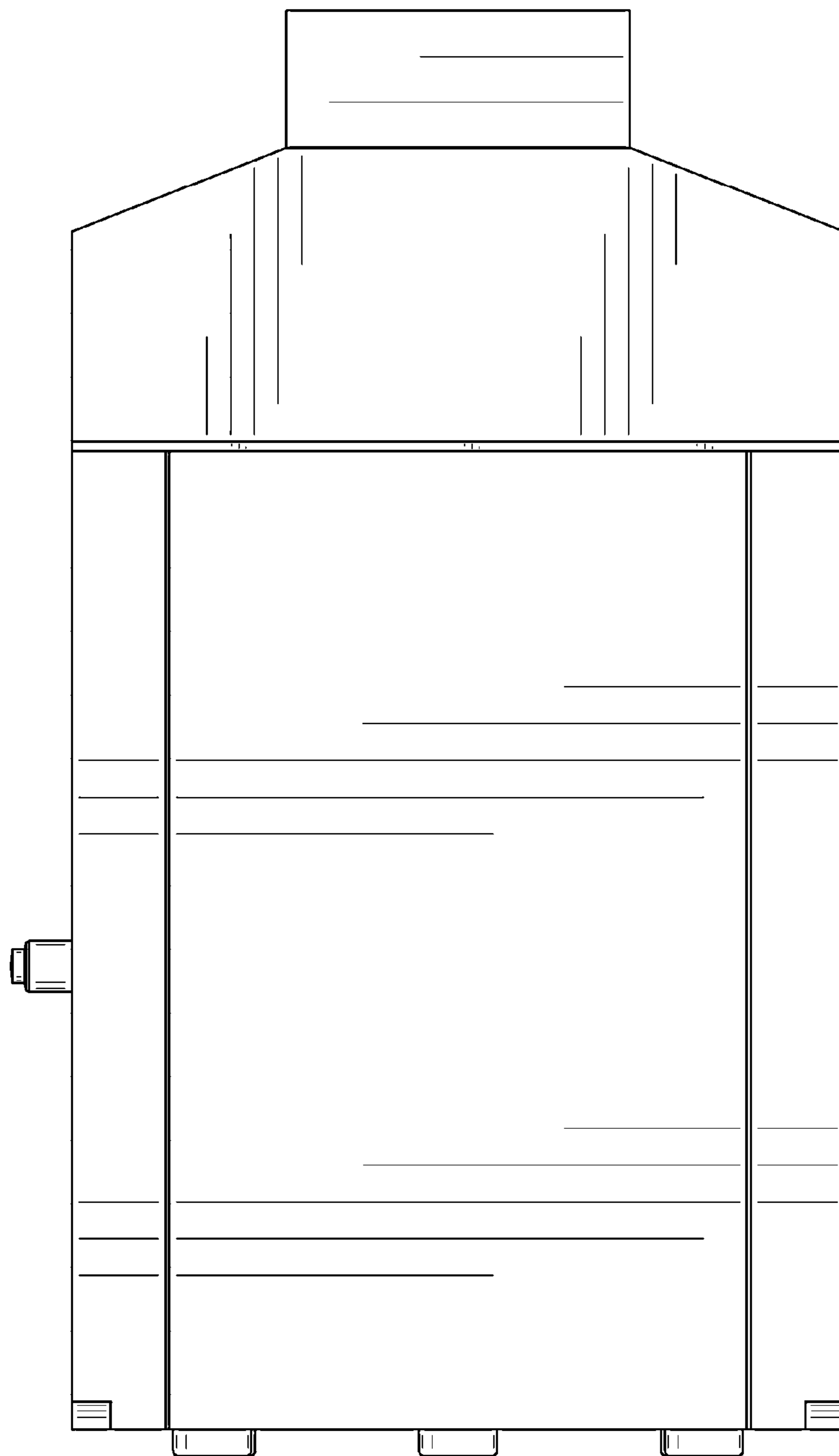


FIG. 4

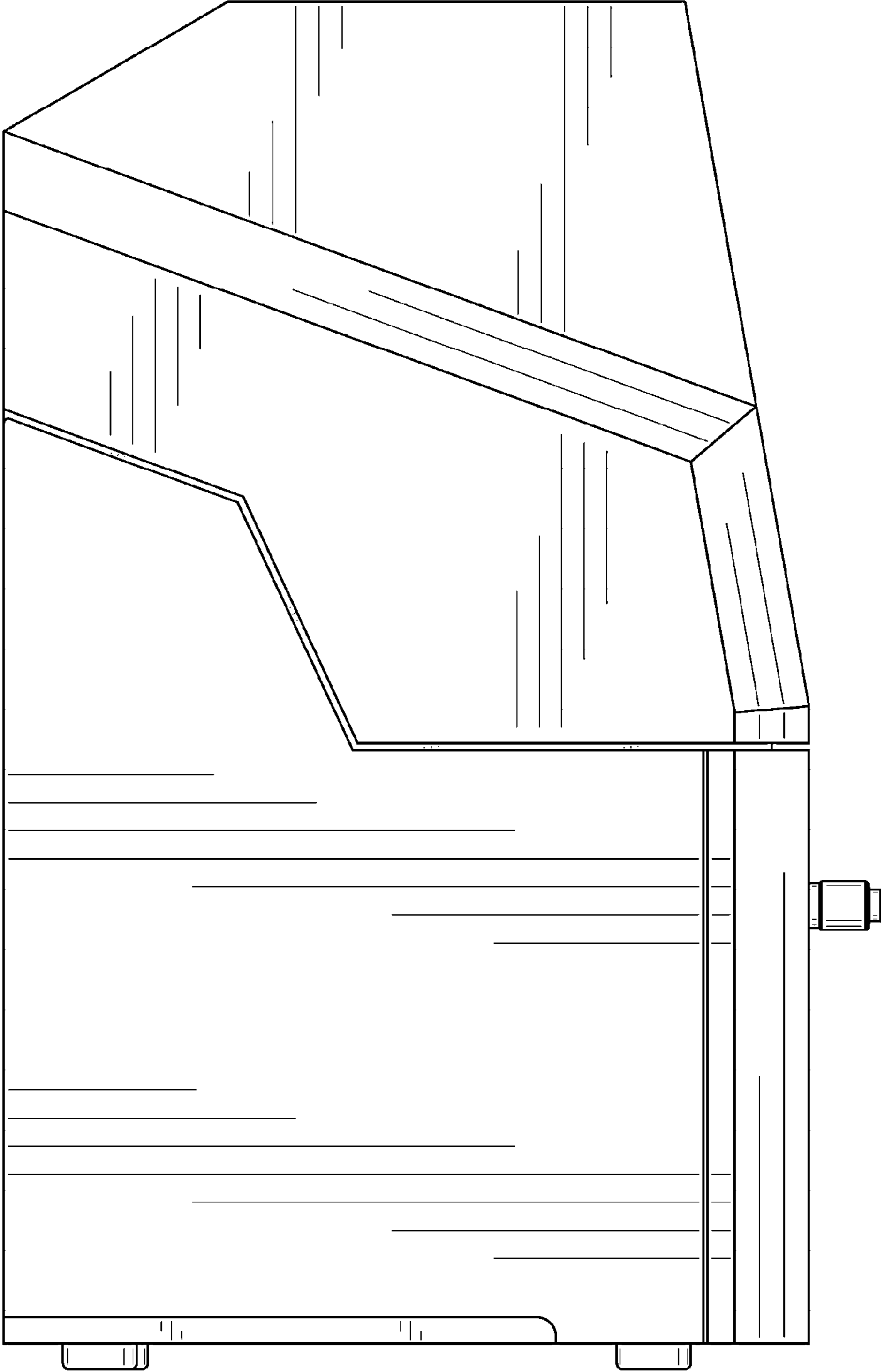


FIG. 5

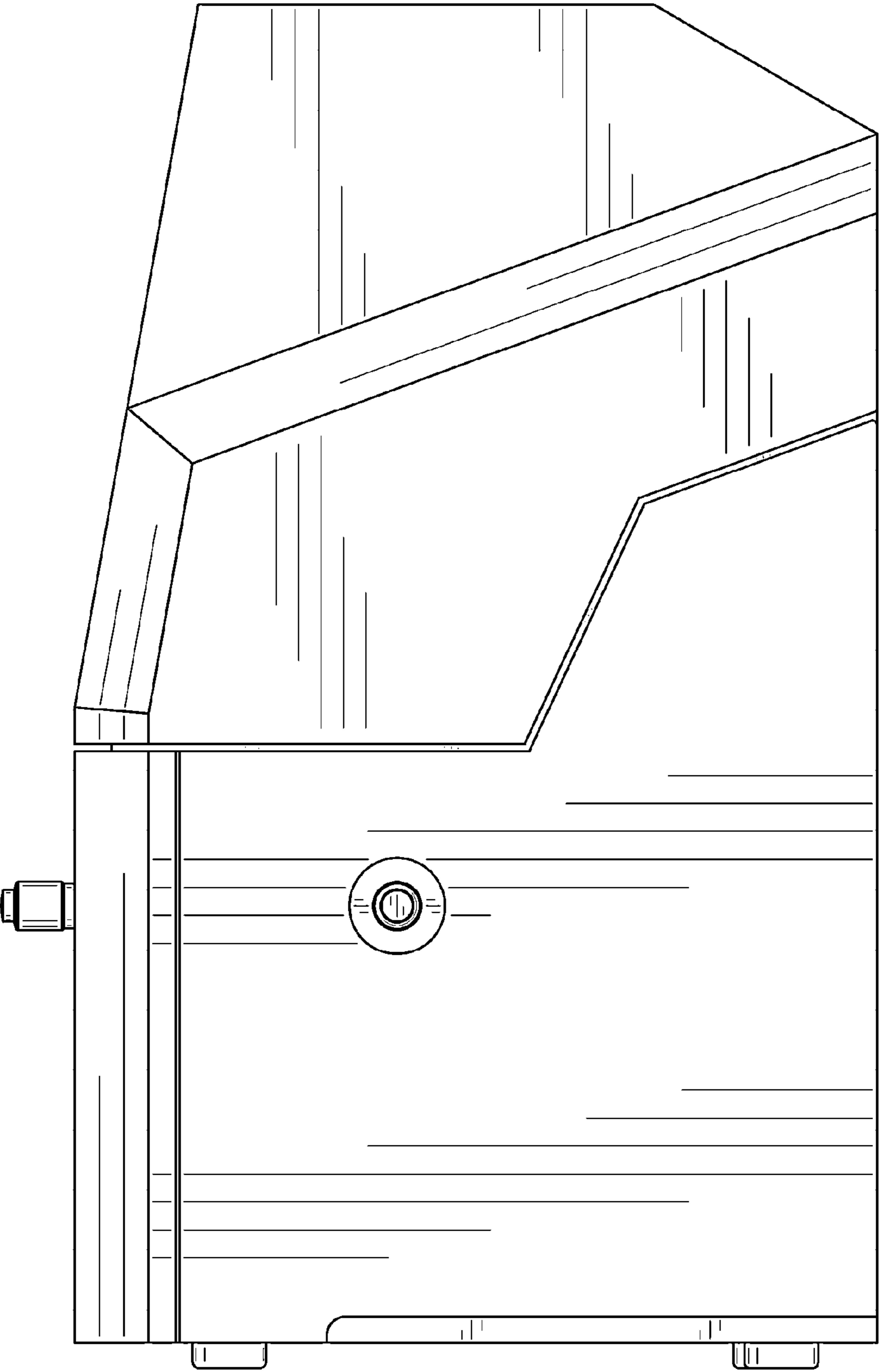


FIG. 6

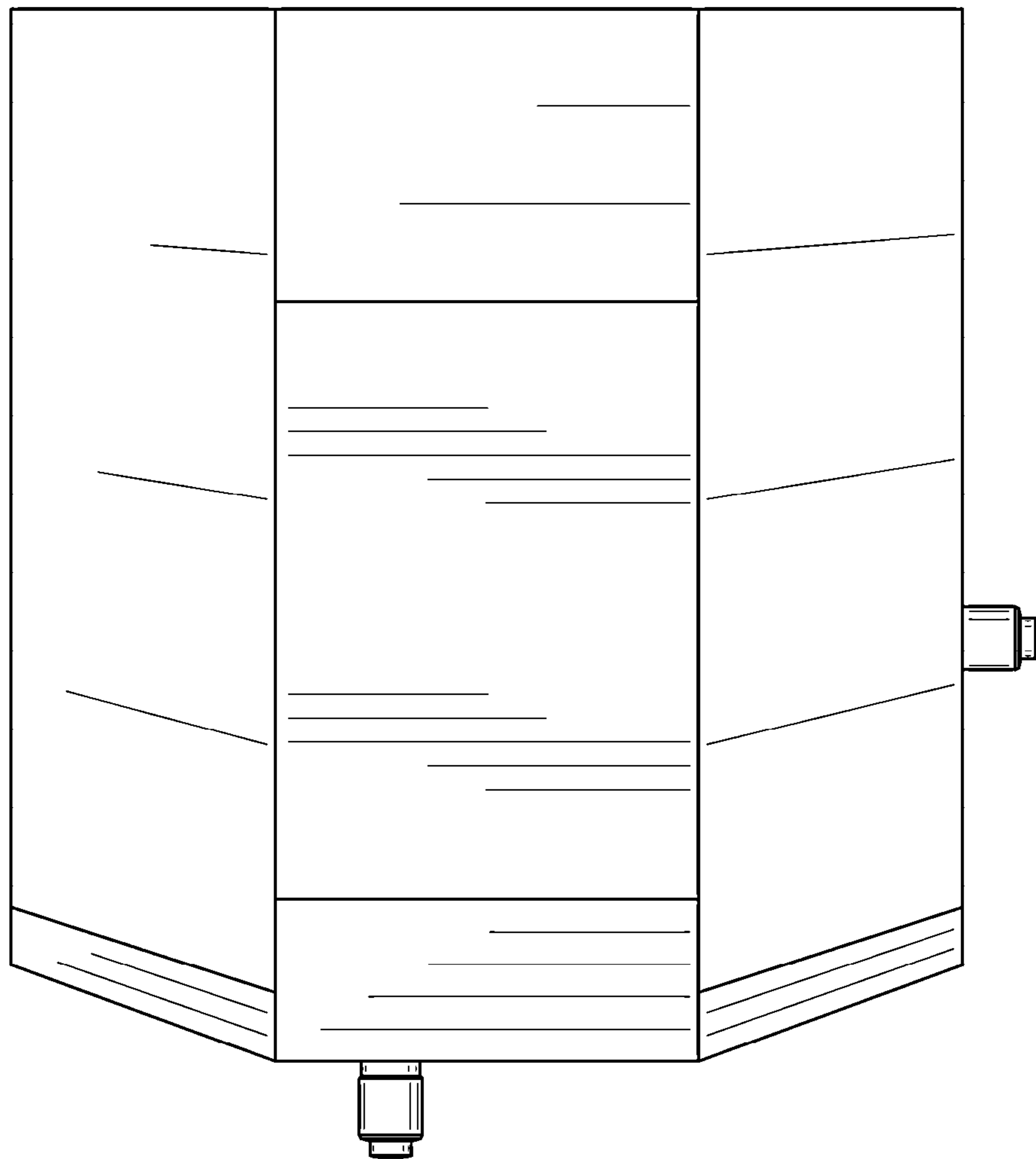


FIG. 7

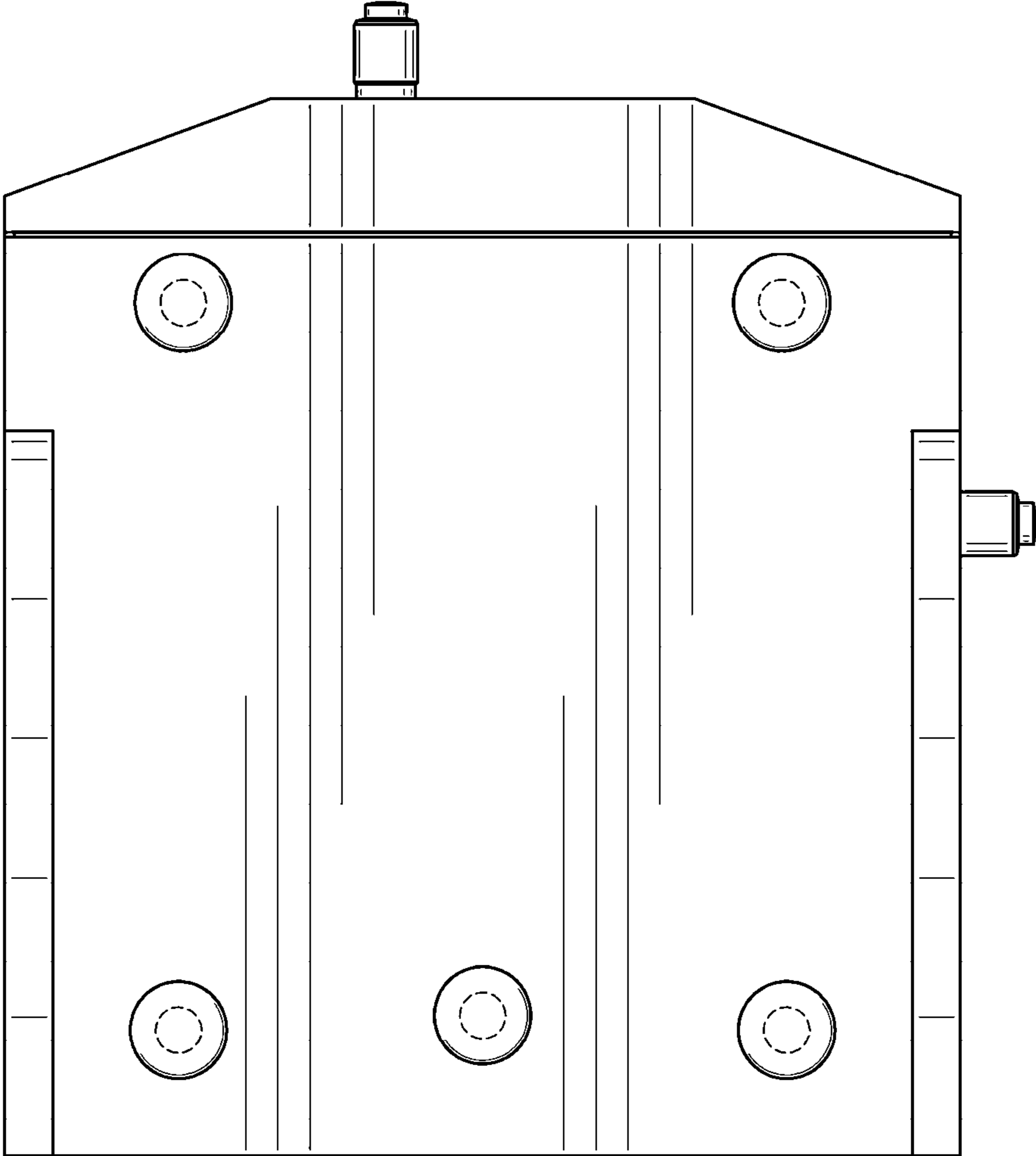


FIG. 8