



US00D724121S

(12) **United States Design Patent**
Choi et al.

(10) **Patent No.:** **US D724,121 S**
(45) **Date of Patent:** **** Mar. 10, 2015**

(54) **REFRIGERATOR DOOR**

(71) Applicant: **LG Electronics Inc.**, Seoul (KR)

(72) Inventors: **Kyukwan Choi**, Gyeonggi-do (KR);
Jiyoung Park, Seoul (KR); **Junghyun Lee**, Seoul (KR); **Jungyeon Hwang**, Gyeonggi-do (KR); **Eunjoo Lee**, Gyeonggi-do (KR); **Boram Lee**, Seoul (KR)

(73) Assignee: **LG Electronics Inc.**, Seoul (KR)

(**) Term: **14 Years**

(21) Appl. No.: **29/473,781**

(22) Filed: **Nov. 26, 2013**

(30) **Foreign Application Priority Data**

May 28, 2013 (KR) 30-2013-0027717

(51) **LOC (10) Cl.** **15-07**

(52) **U.S. Cl.**
USPC **D15/91**

(58) **Field of Classification Search**
USPC D15/79-91; 62/246-255, 400, 457,
62/373, 3.1, 3.6; 312/236, 116, 119,
312/138.1, 139.2, 400-408
See application file for complete search history.

(56) **References Cited**

U.S. PATENT DOCUMENTS

D325,918 S *	5/1992	Lloyd	D15/81
D484,152 S *	12/2003	Becke	D15/91
D572,732 S *	7/2008	Baacke et al.	D15/91
D607,022 S *	12/2009	Baacke et al.	D15/91
D620,507 S *	7/2010	Baacke et al.	D15/91

* cited by examiner

Primary Examiner — Stella Reid

Assistant Examiner — Khawaja Anwar

(74) *Attorney, Agent, or Firm* — Morgan, Lewis & Bockius LLP

(57) **CLAIM**

The ornamental design for a refrigerator door, as shown and described.

DESCRIPTION

FIG. 1 is a perspective view of a refrigerator door showing our new design;
 FIG. 2 is a front view thereof;
 FIG. 3 is a rear view thereof;
 FIG. 4 is a left side view thereof;
 FIG. 5 is a right side view thereof;
 FIG. 6 is a top plan view thereof;
 FIG. 7 is a bottom plan view thereof;
 FIG. 8 is a rear perspective view thereof;
 FIG. 9 is a perspective view thereof, showing the outside door in open position;
 FIG. 10 is a front view of FIG. 9;
 FIG. 11 is a rear view of FIG. 9;
 FIG. 12 is a left side view of FIG. 9;
 FIG. 13 is a right side view of FIG. 9;
 FIG. 14 is a top plan view of FIG. 9;
 FIG. 15 is a bottom plan view of FIG. 9;
 FIG. 16 is a perspective view thereof, showing the outside and inside storage box in open position;
 FIG. 17 is a front view of FIG. 16;
 FIG. 18 is a rear view of FIG. 16;
 FIG. 19 is a left side view of FIG. 16;
 FIG. 20 is a right side view of FIG. 16;
 FIG. 21 is a top plan view of FIG. 16; and,
 FIG. 22 is a bottom plan view of FIG. 16.
 The broken lines in the drawings show unclaimed subject matter only and form no part of the claimed design.

1 Claim, 21 Drawing Sheets

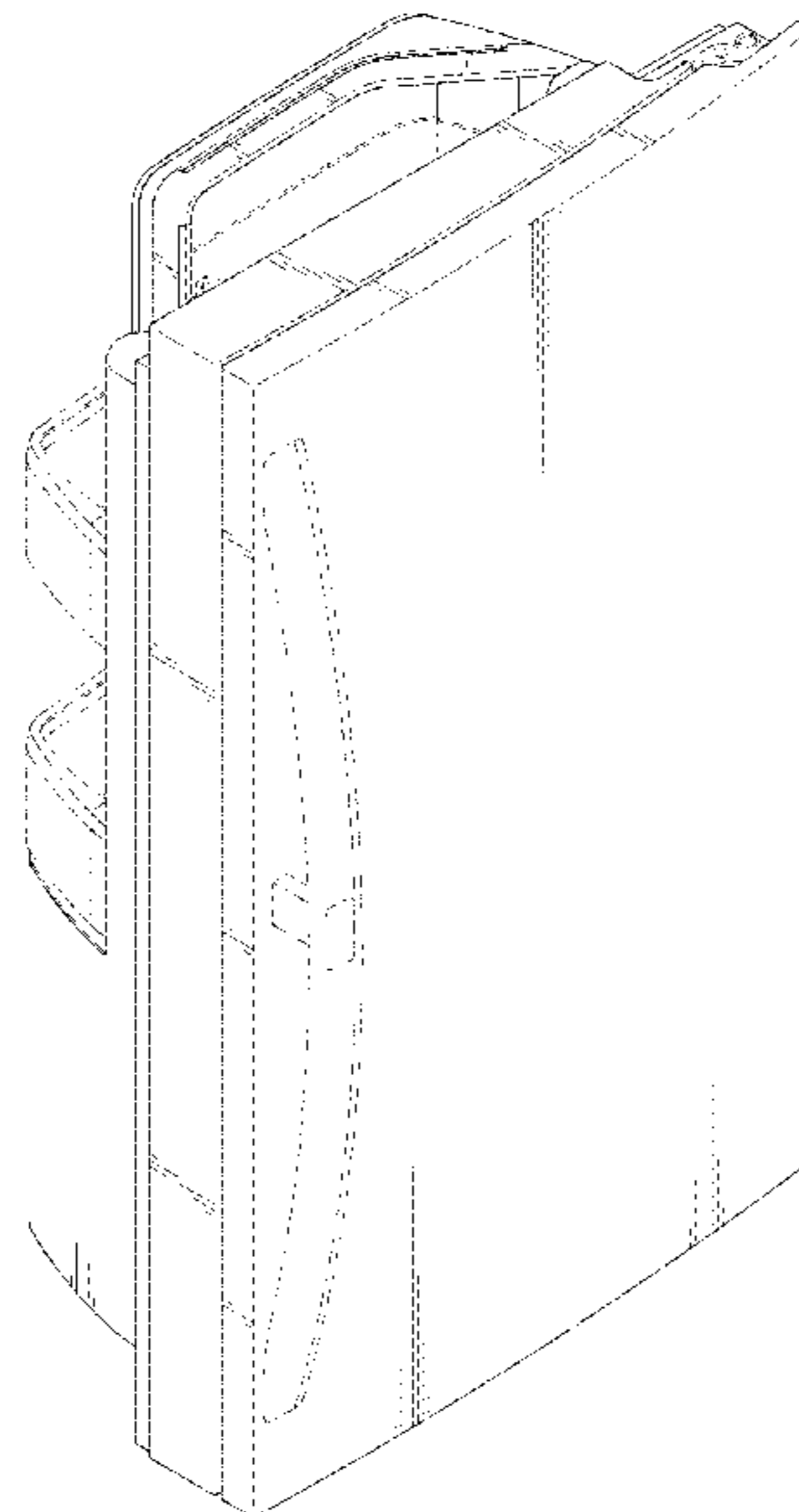


FIG. 1

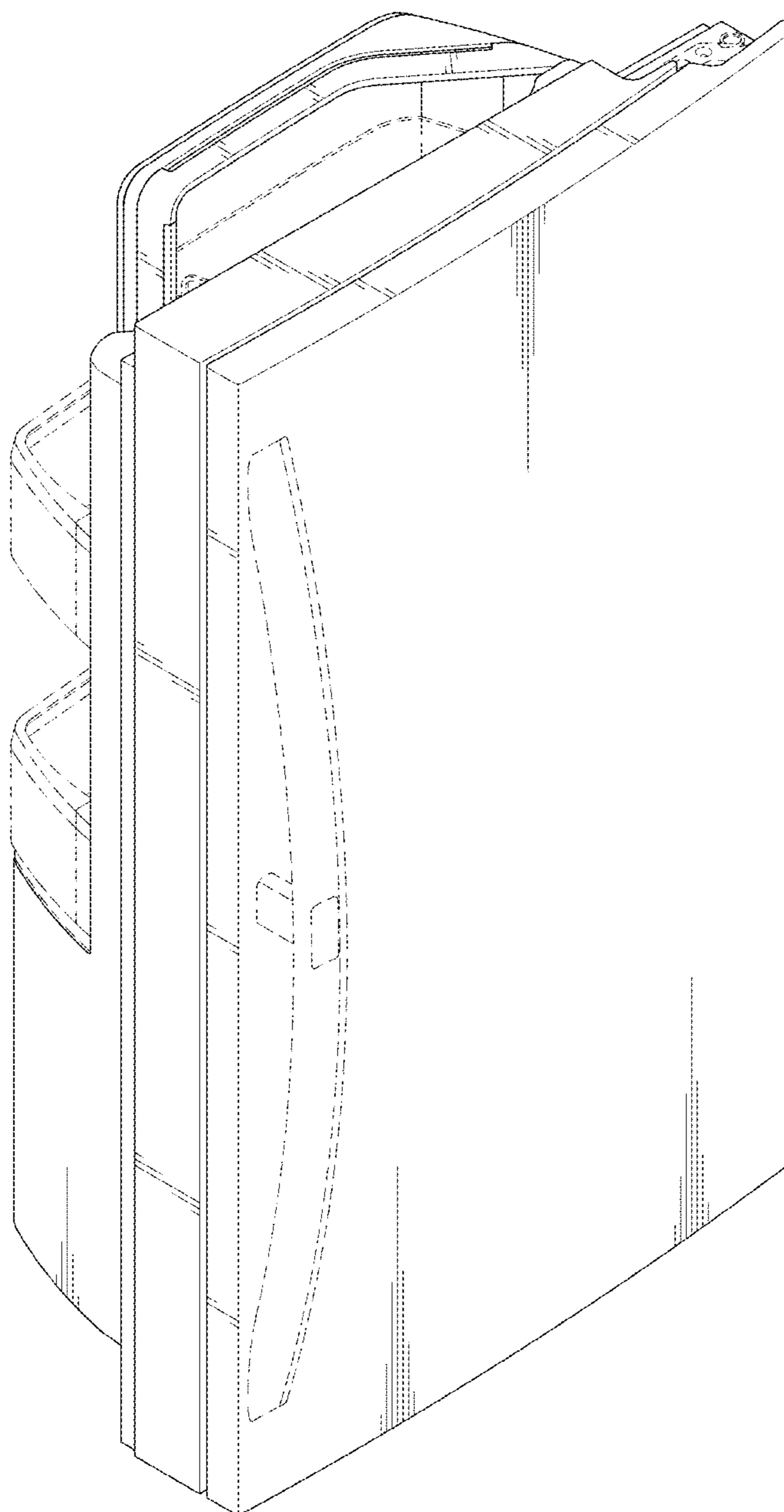


FIG. 2

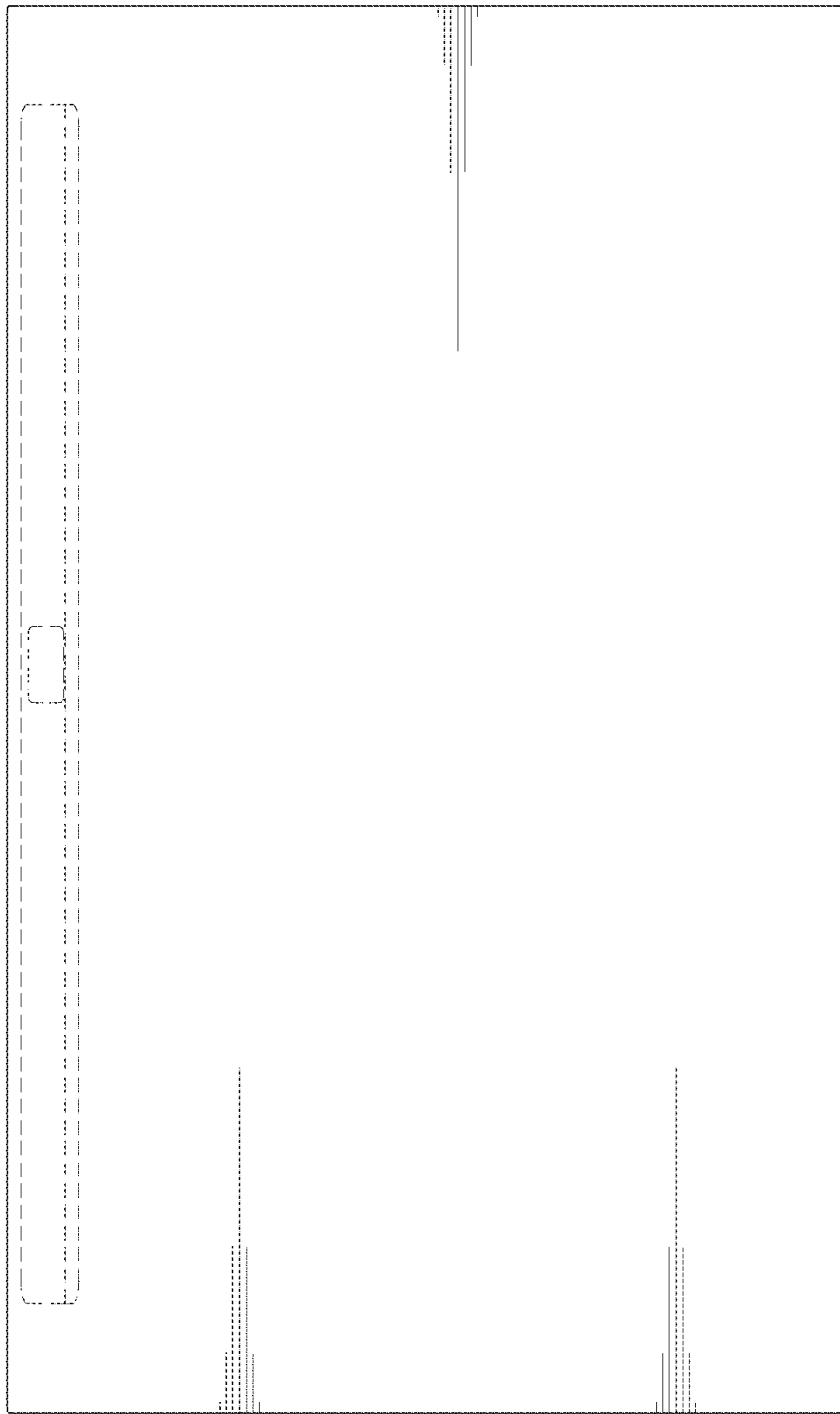


FIG. 3

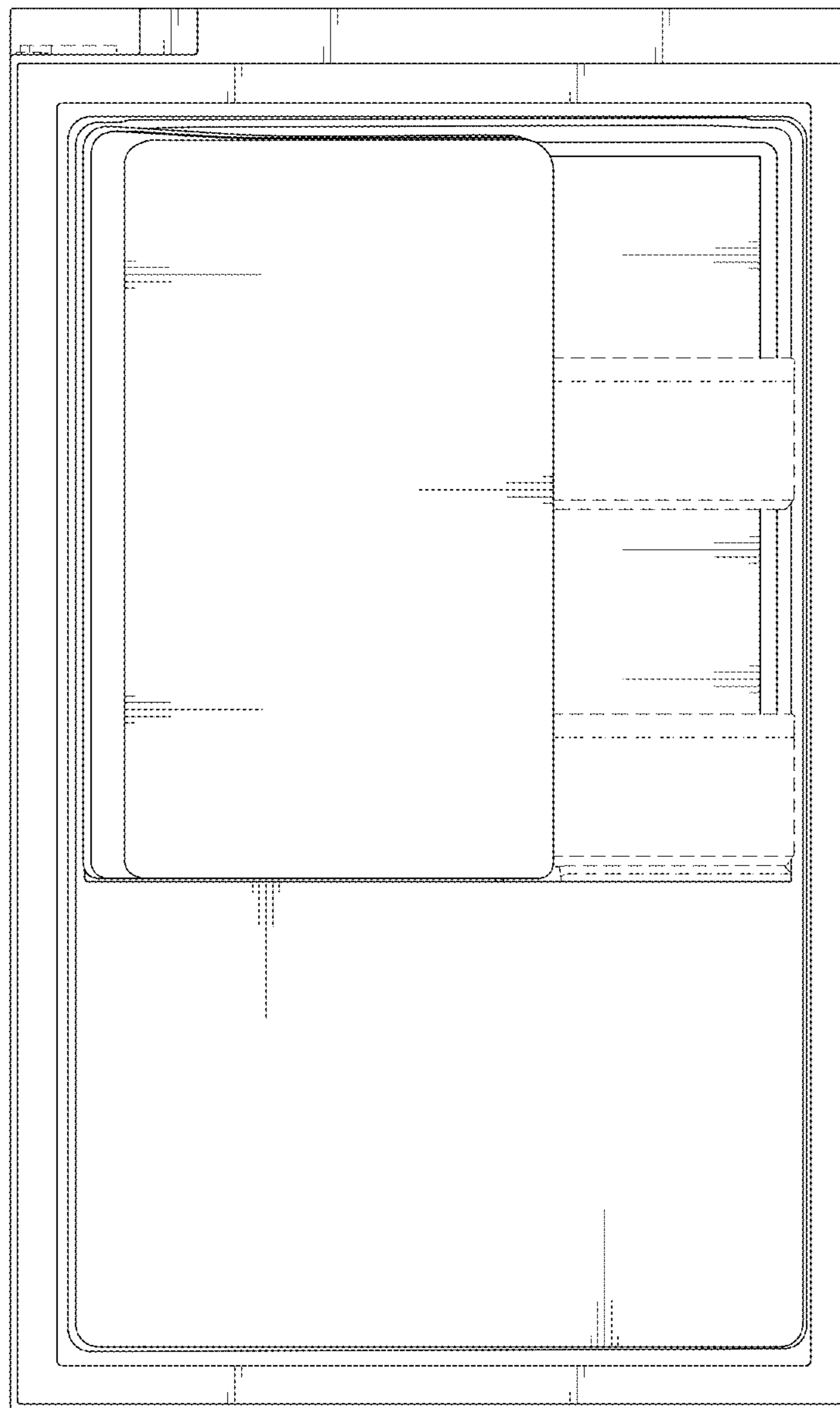


FIG. 4

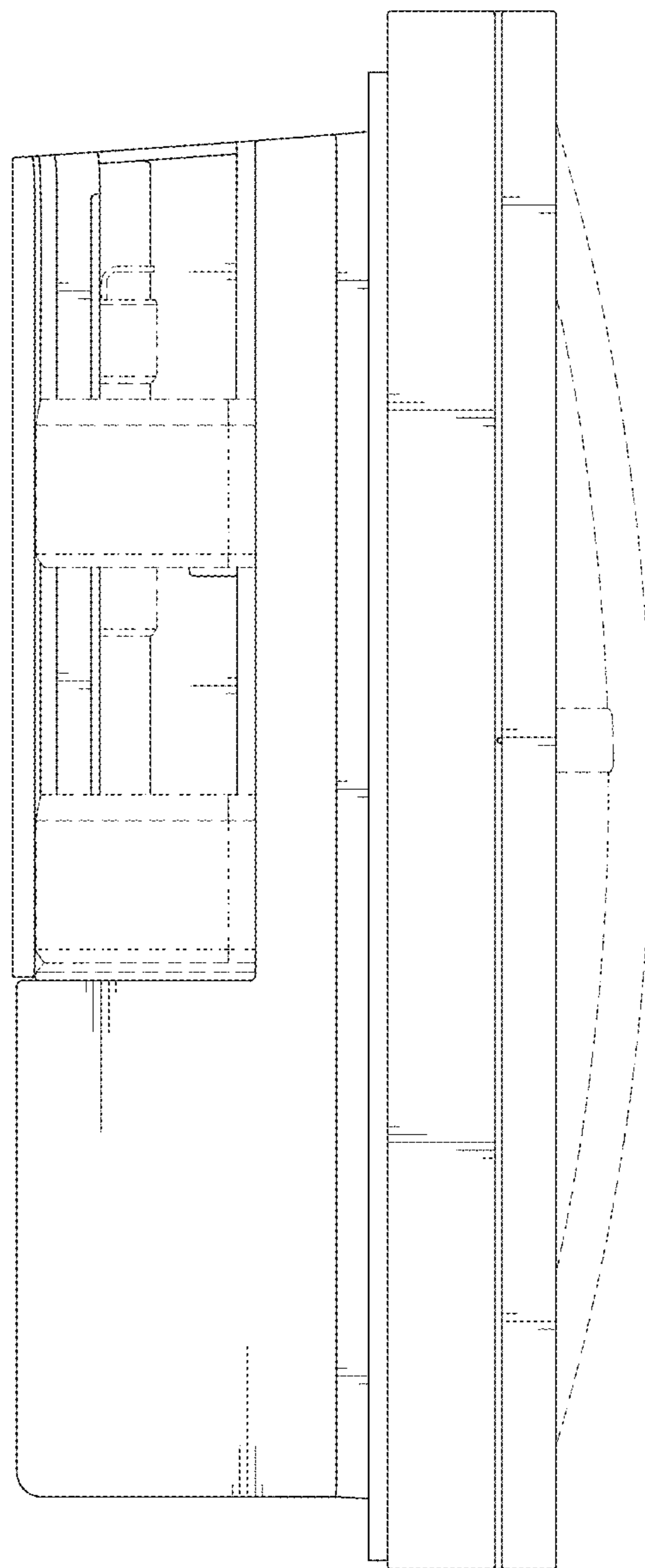


FIG. 5

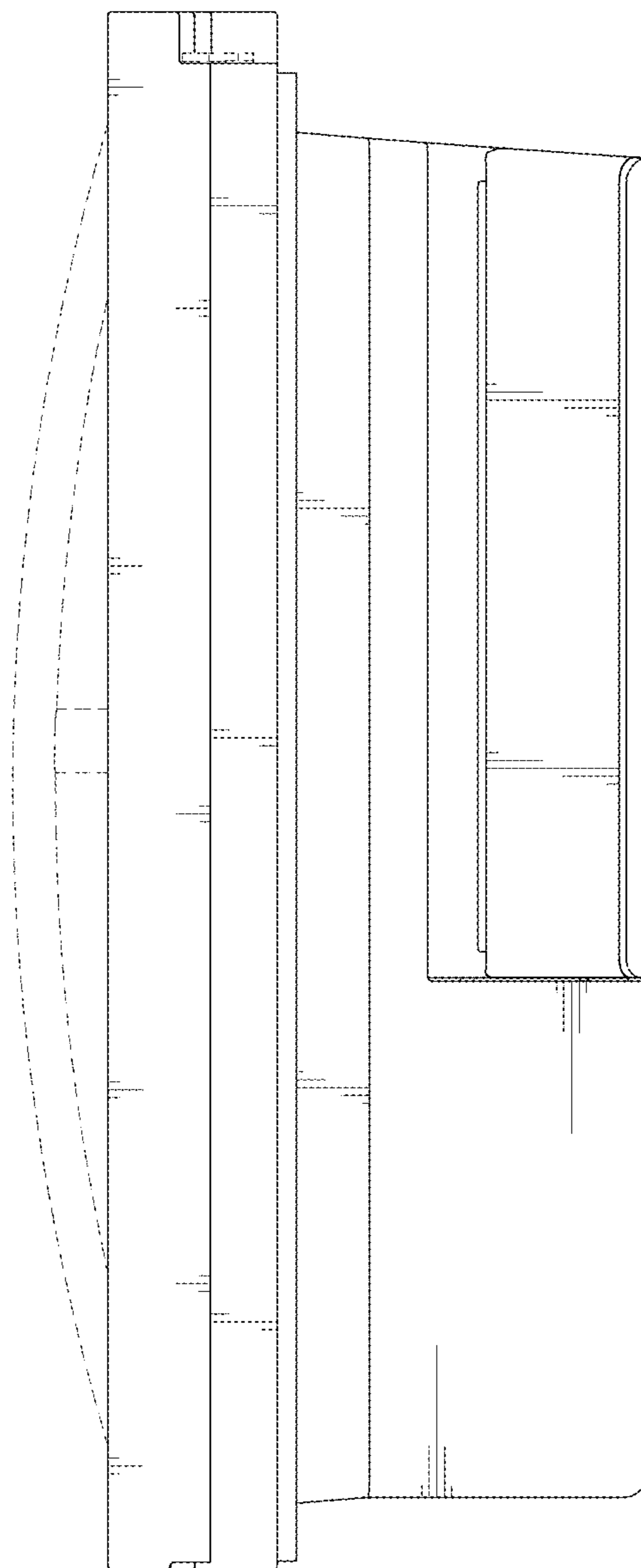


FIG. 6

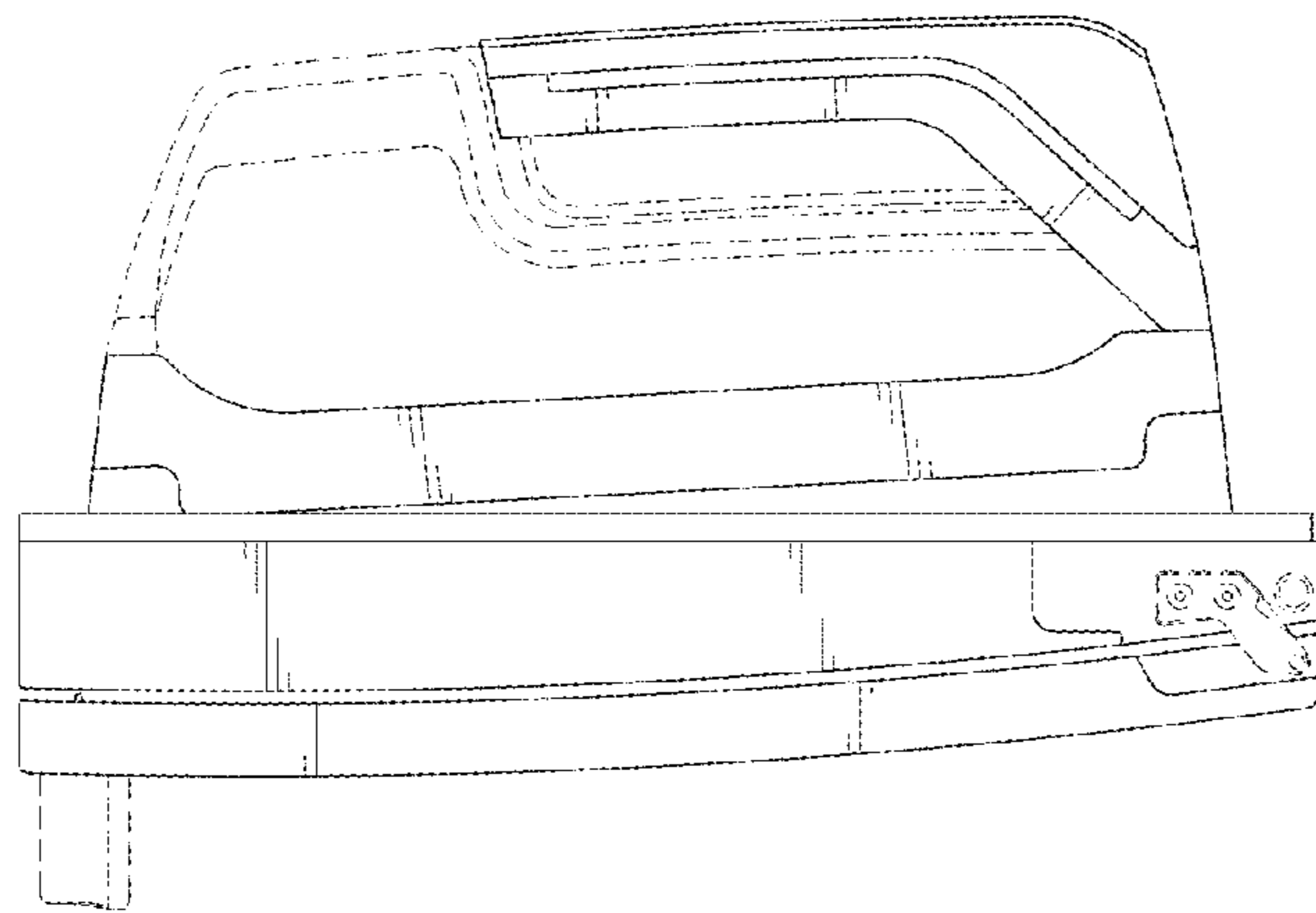


FIG. 7

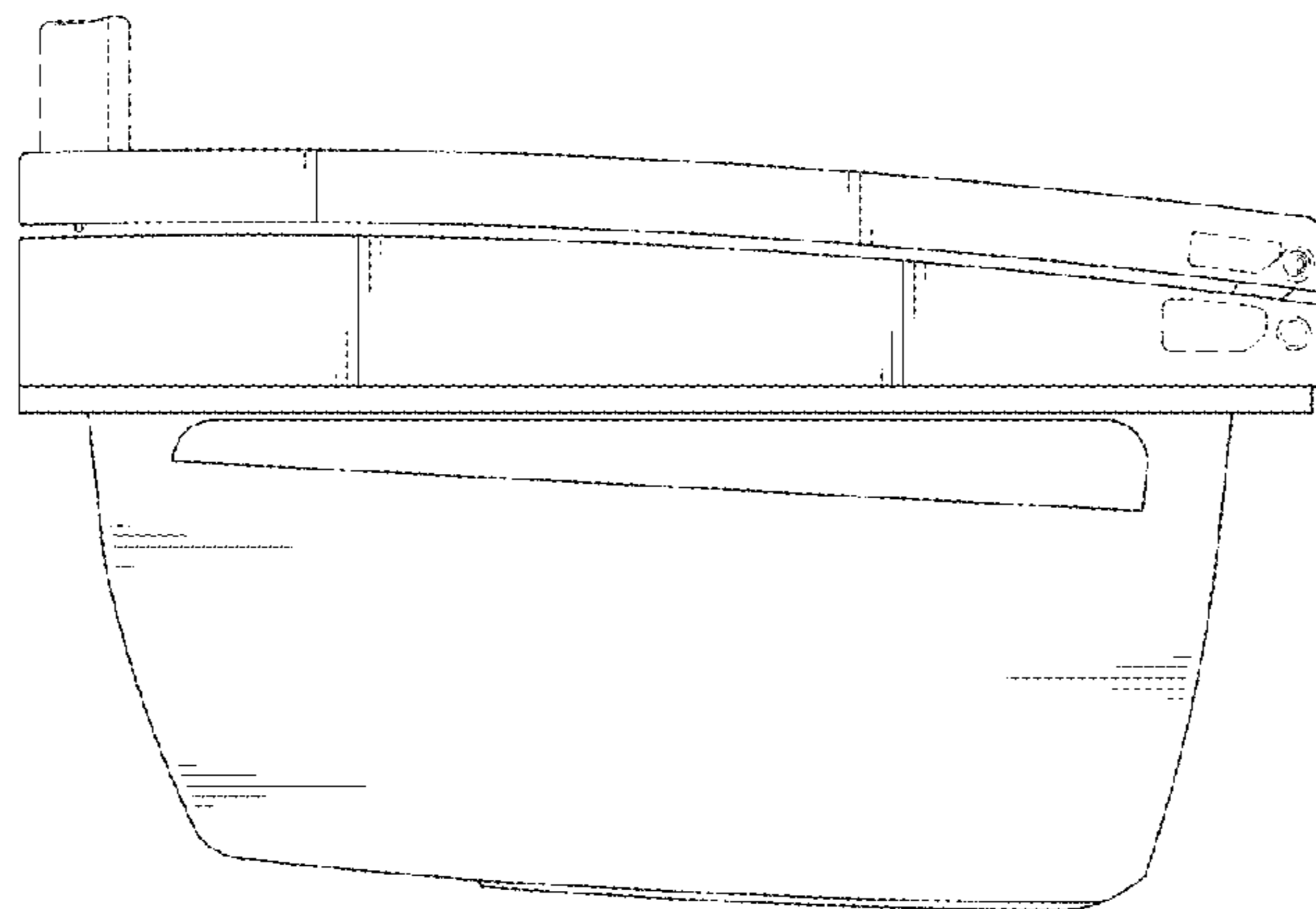


FIG. 8

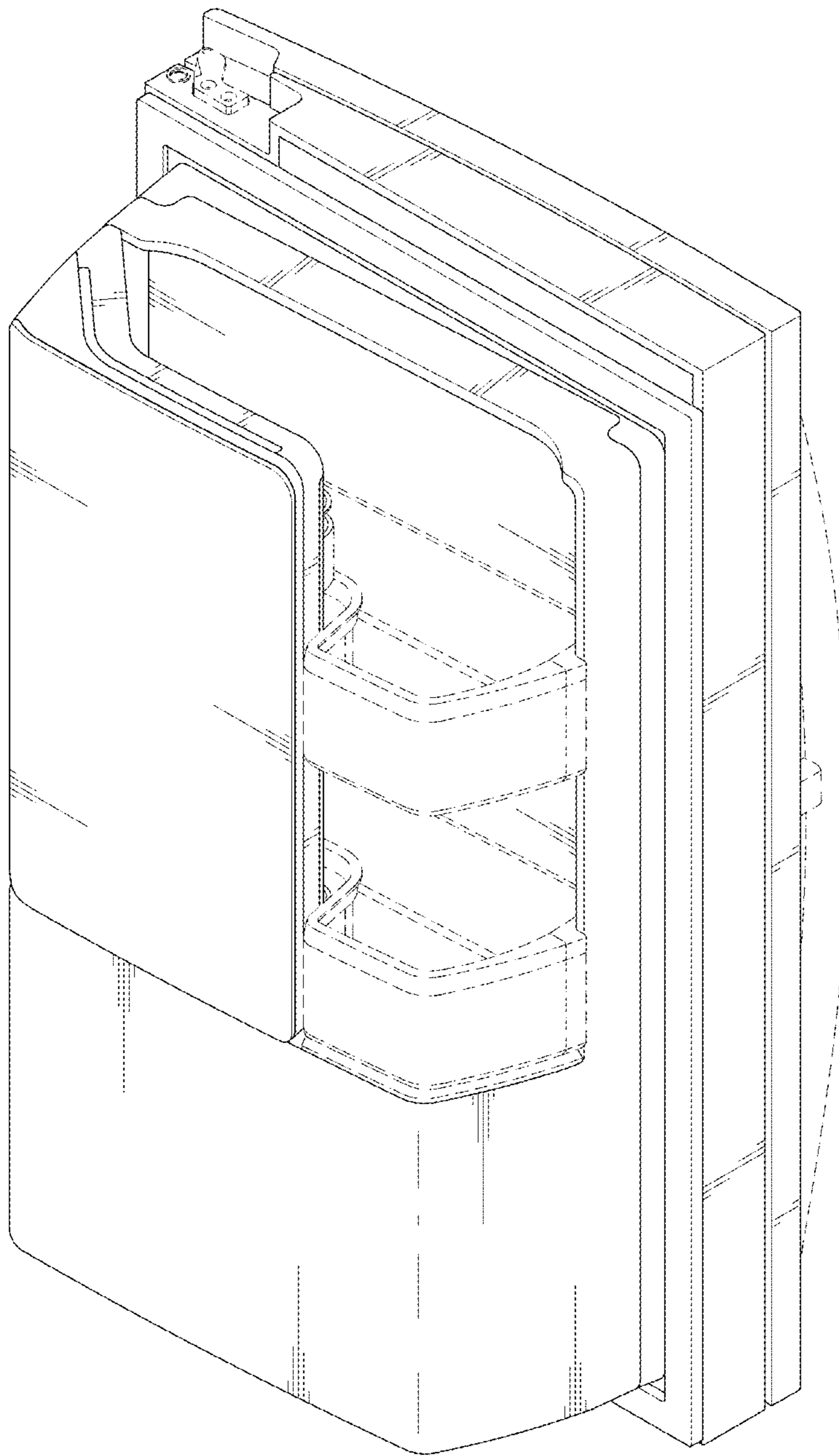


FIG. 9

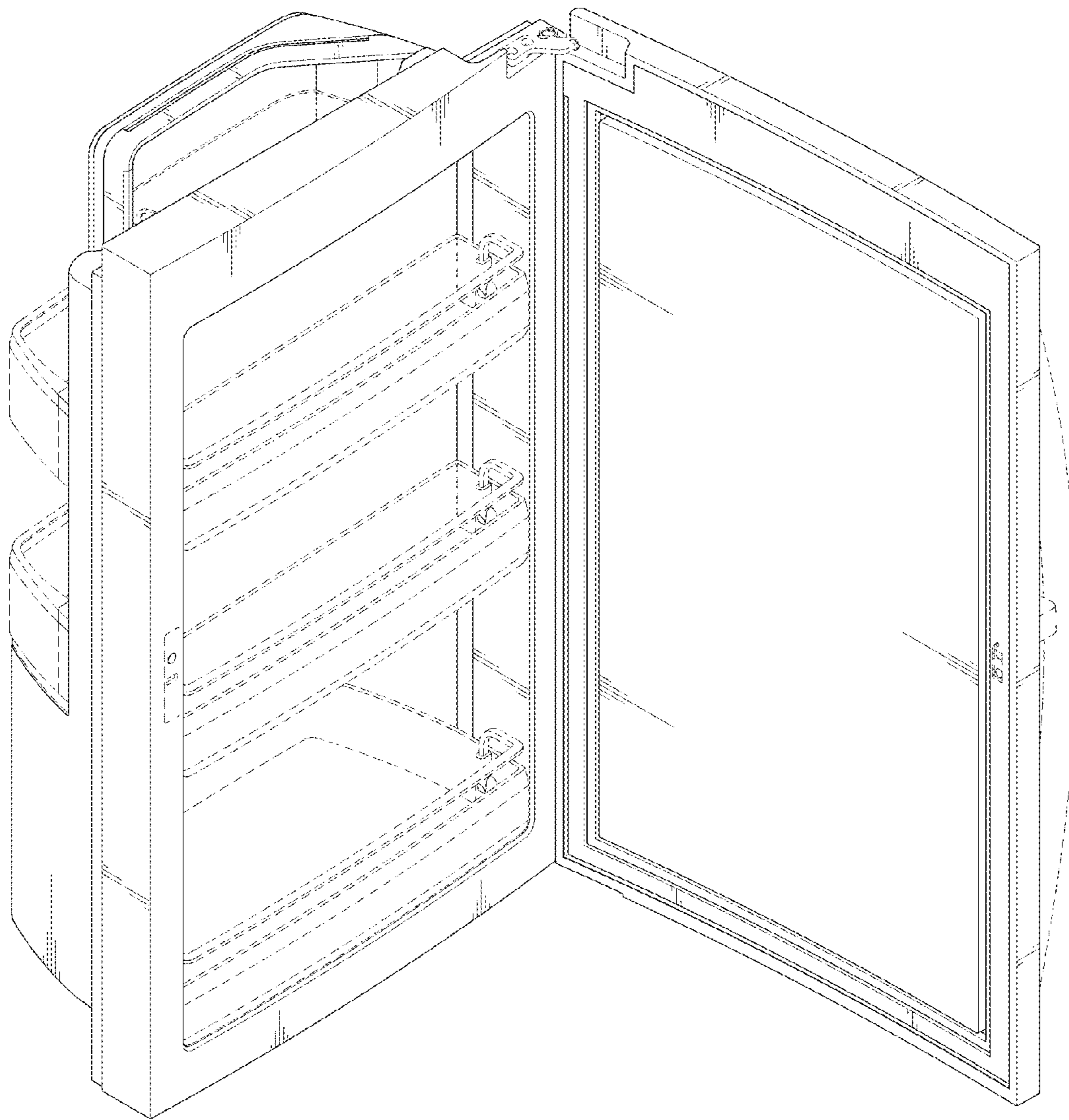


FIG. 10

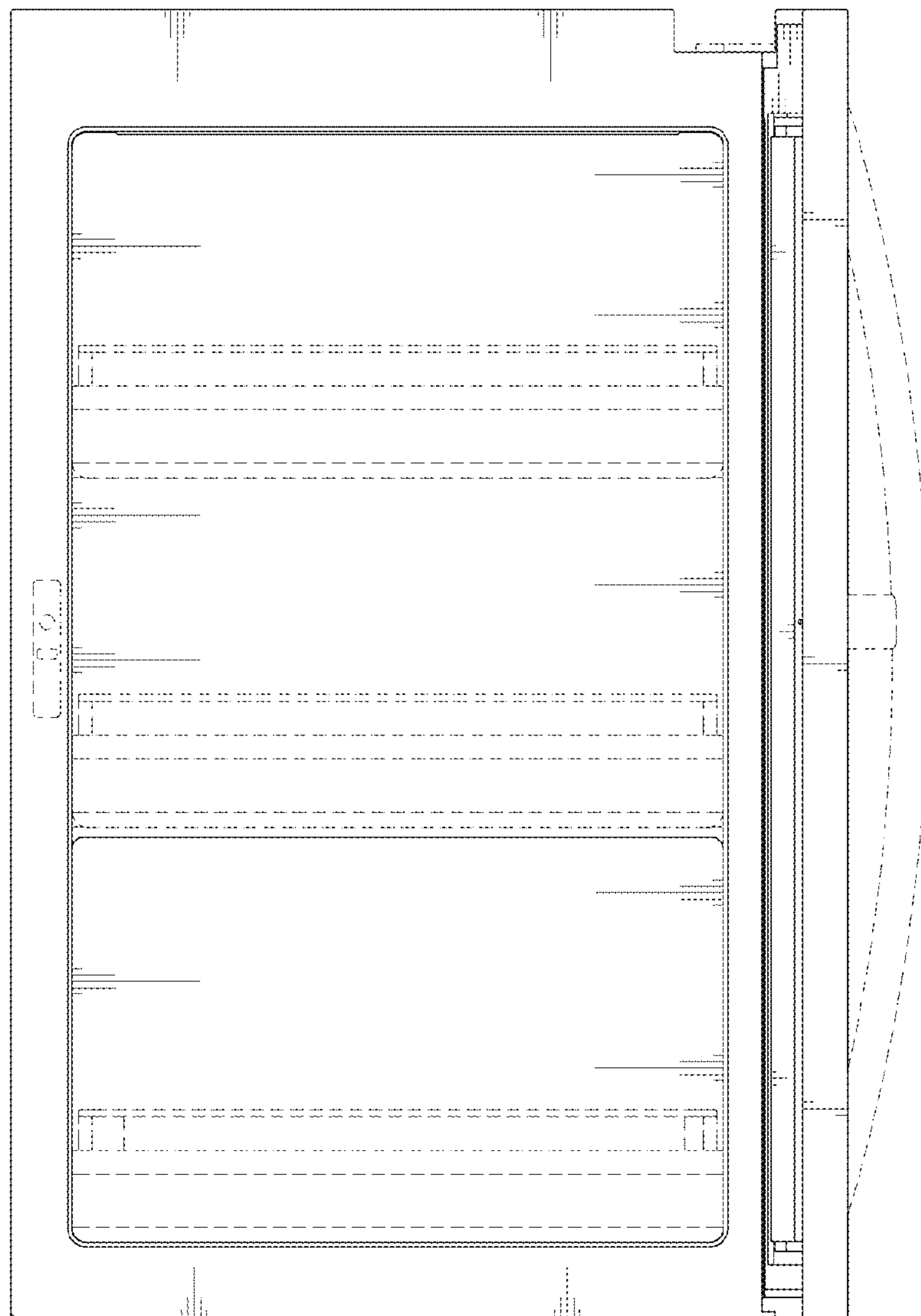


FIG. 11

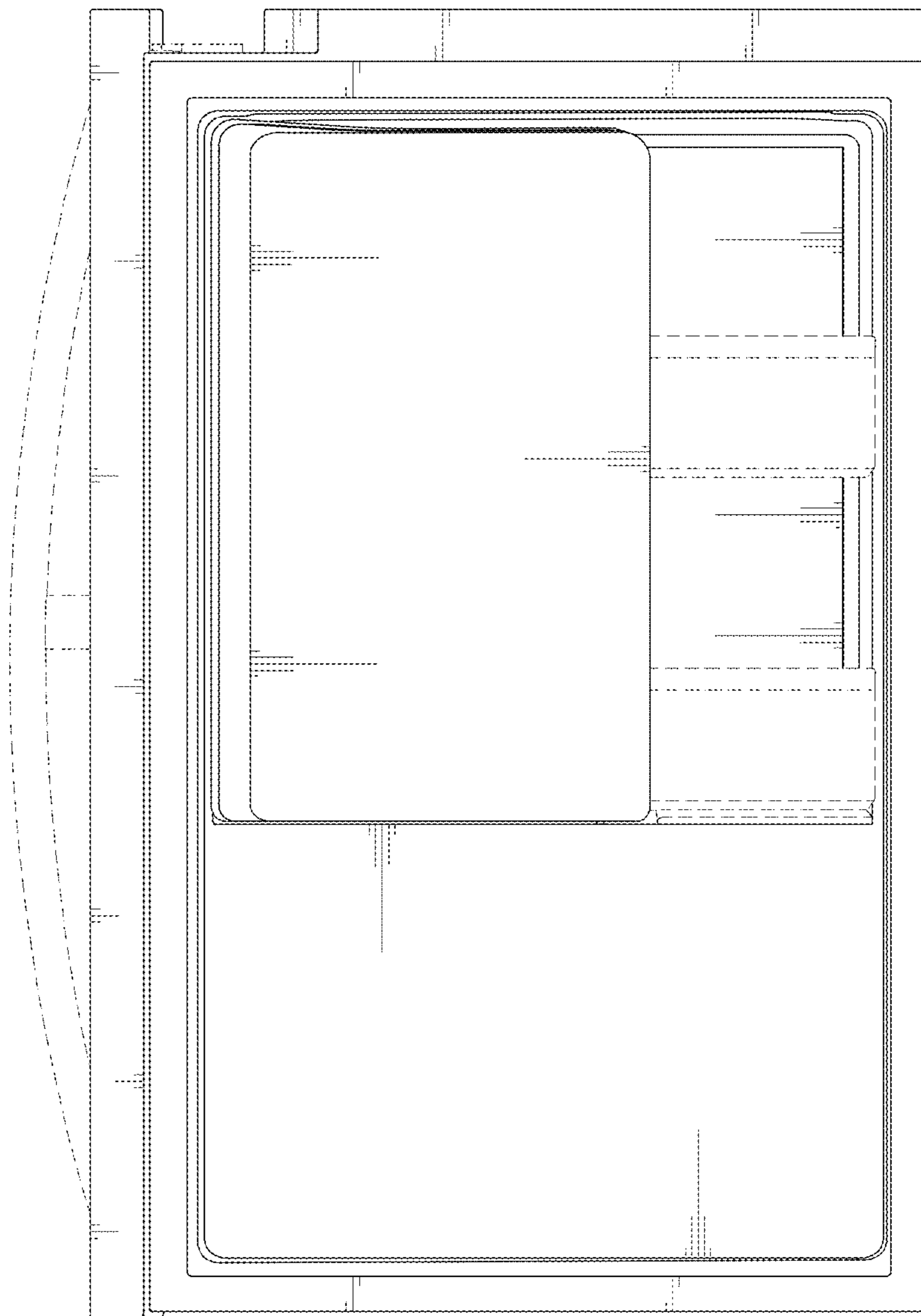


FIG. 12

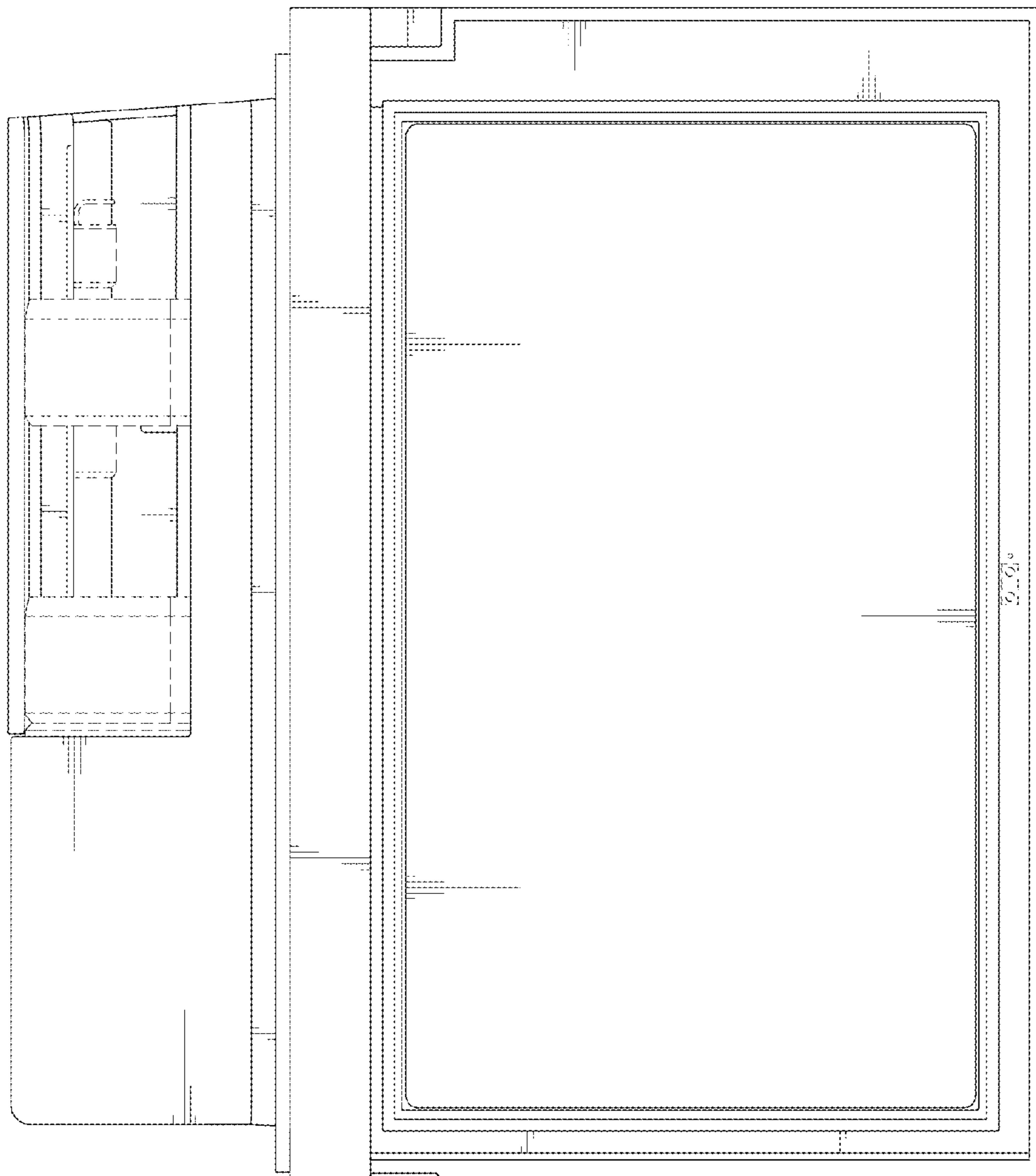


FIG. 13

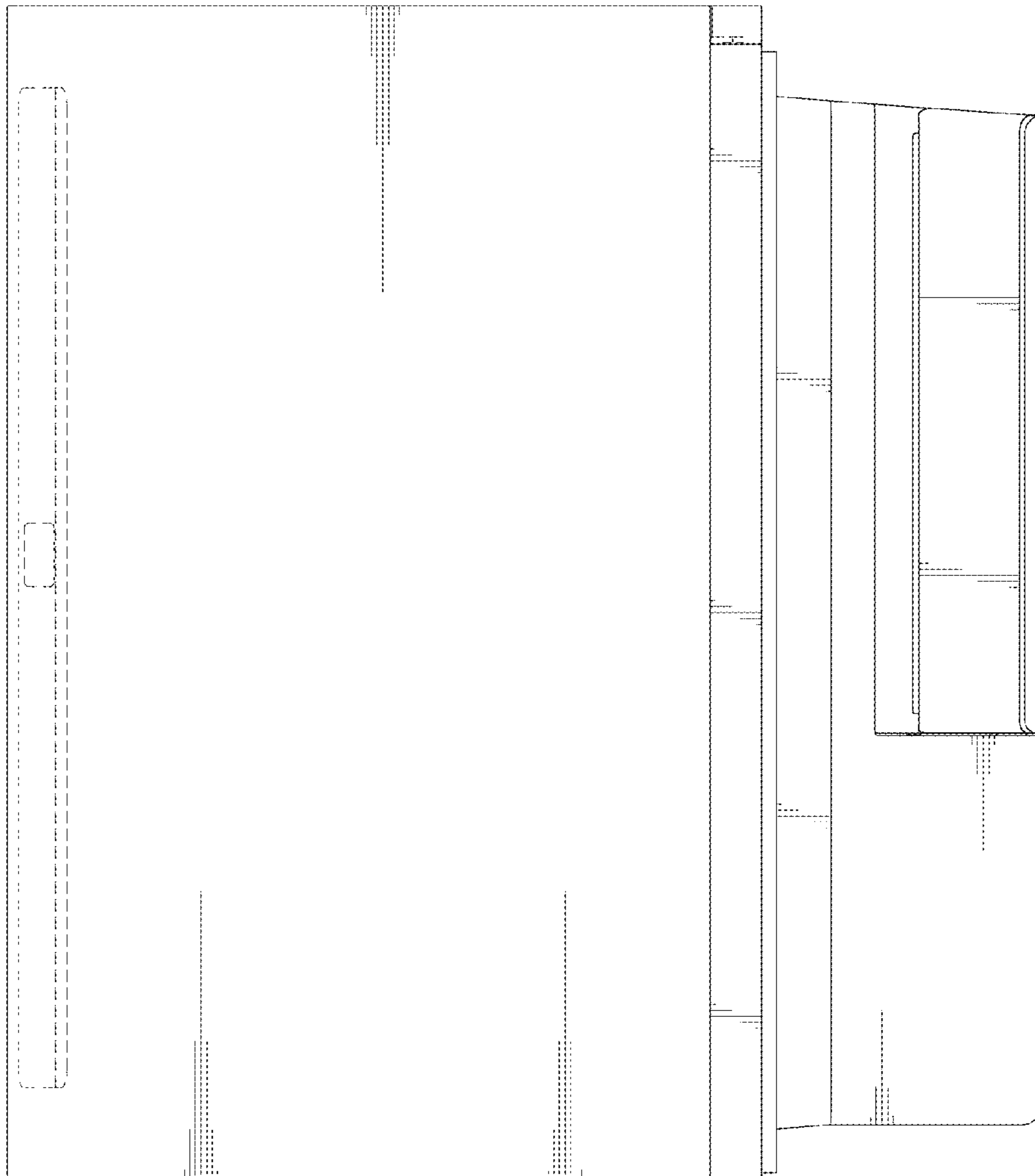


FIG. 14

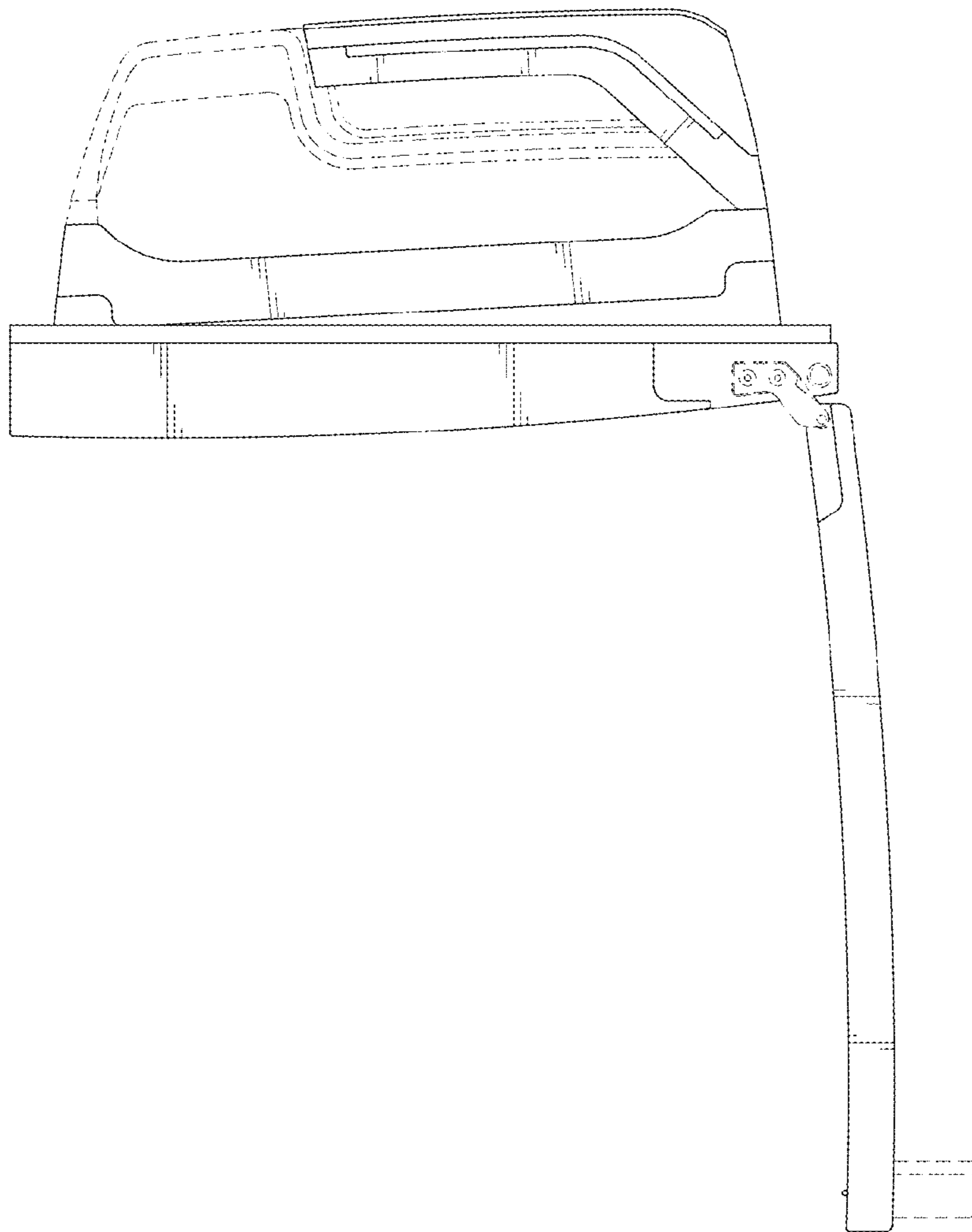


FIG. 15

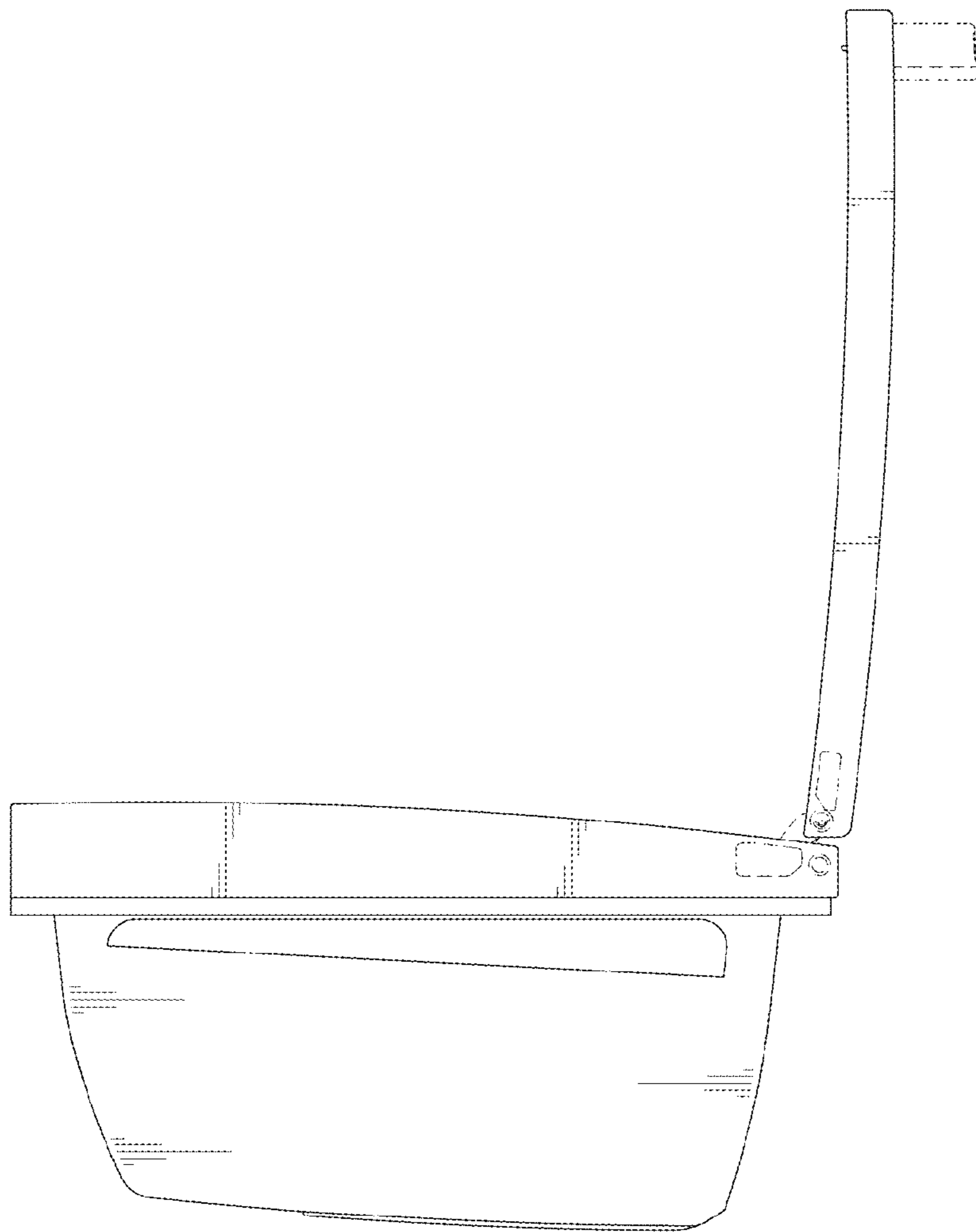


FIG. 16

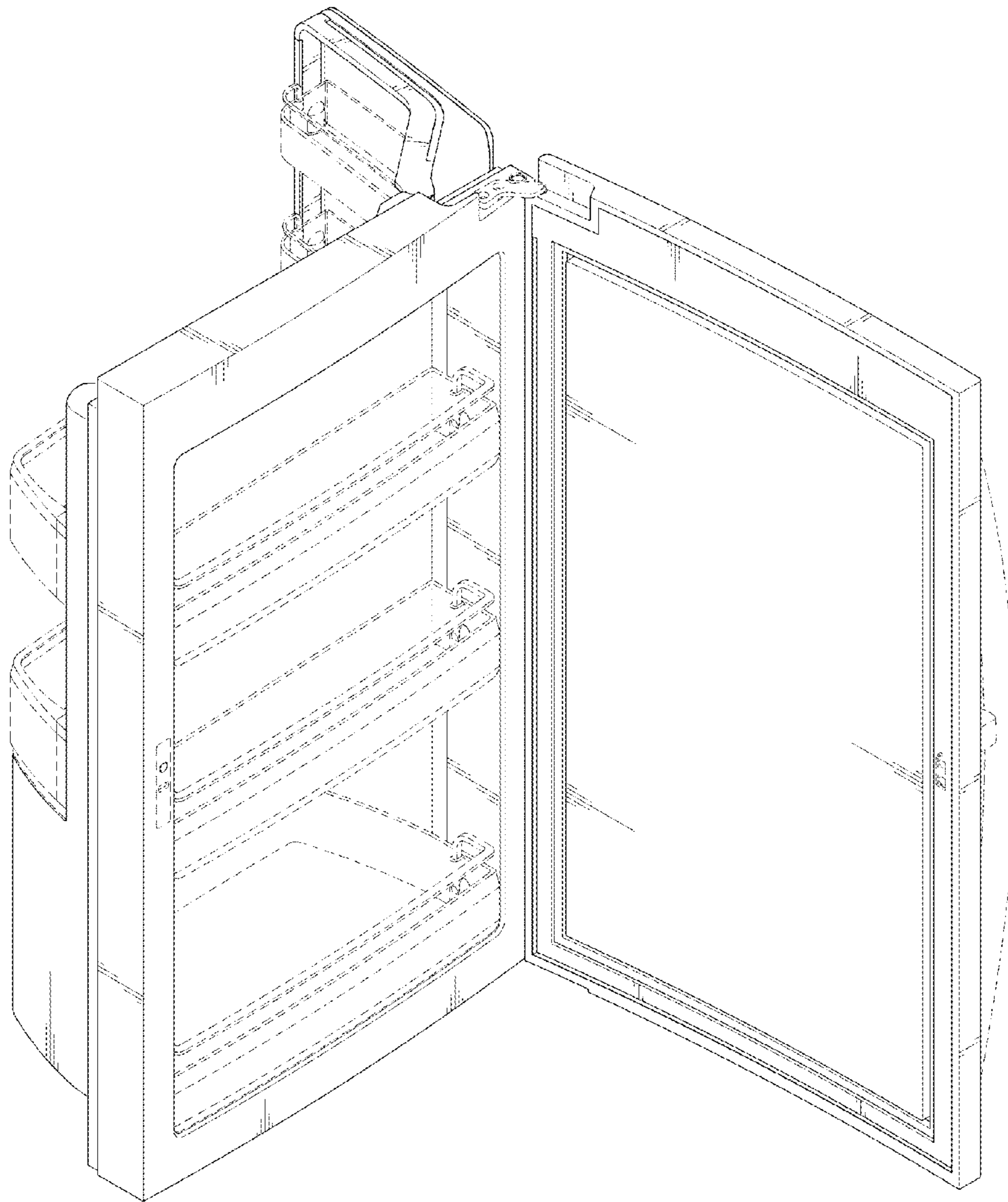


FIG. 17

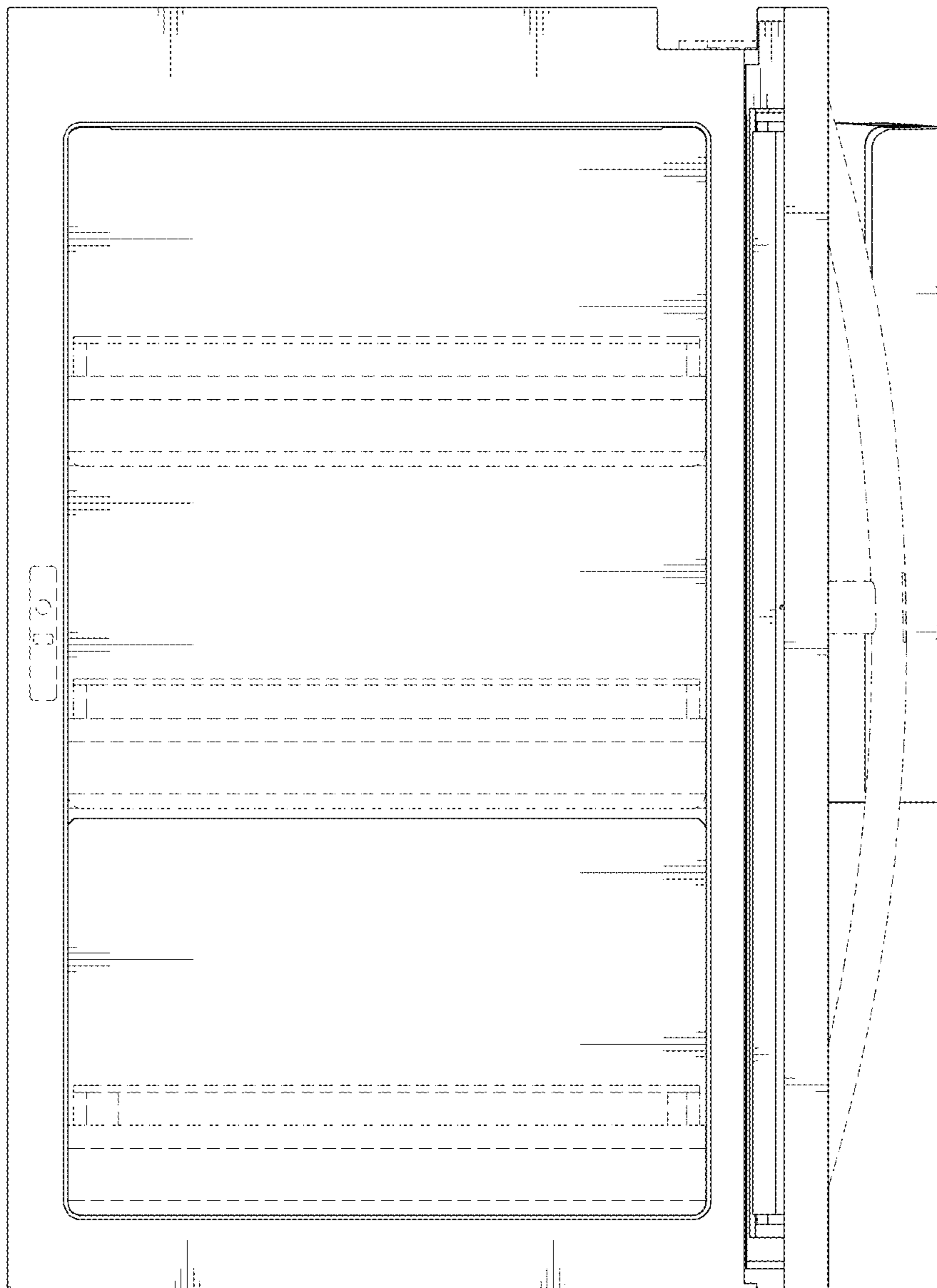


FIG. 18

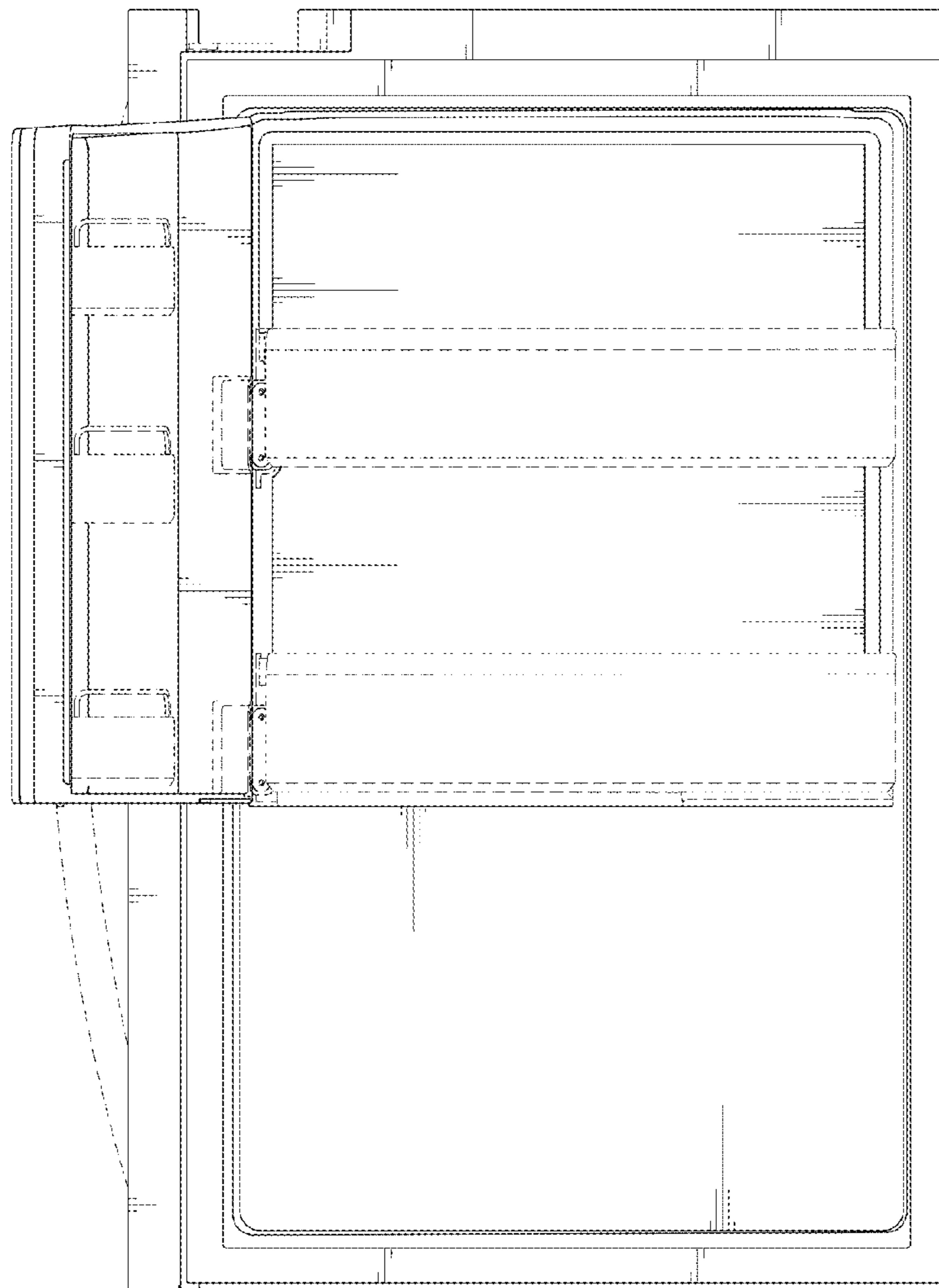


FIG. 19

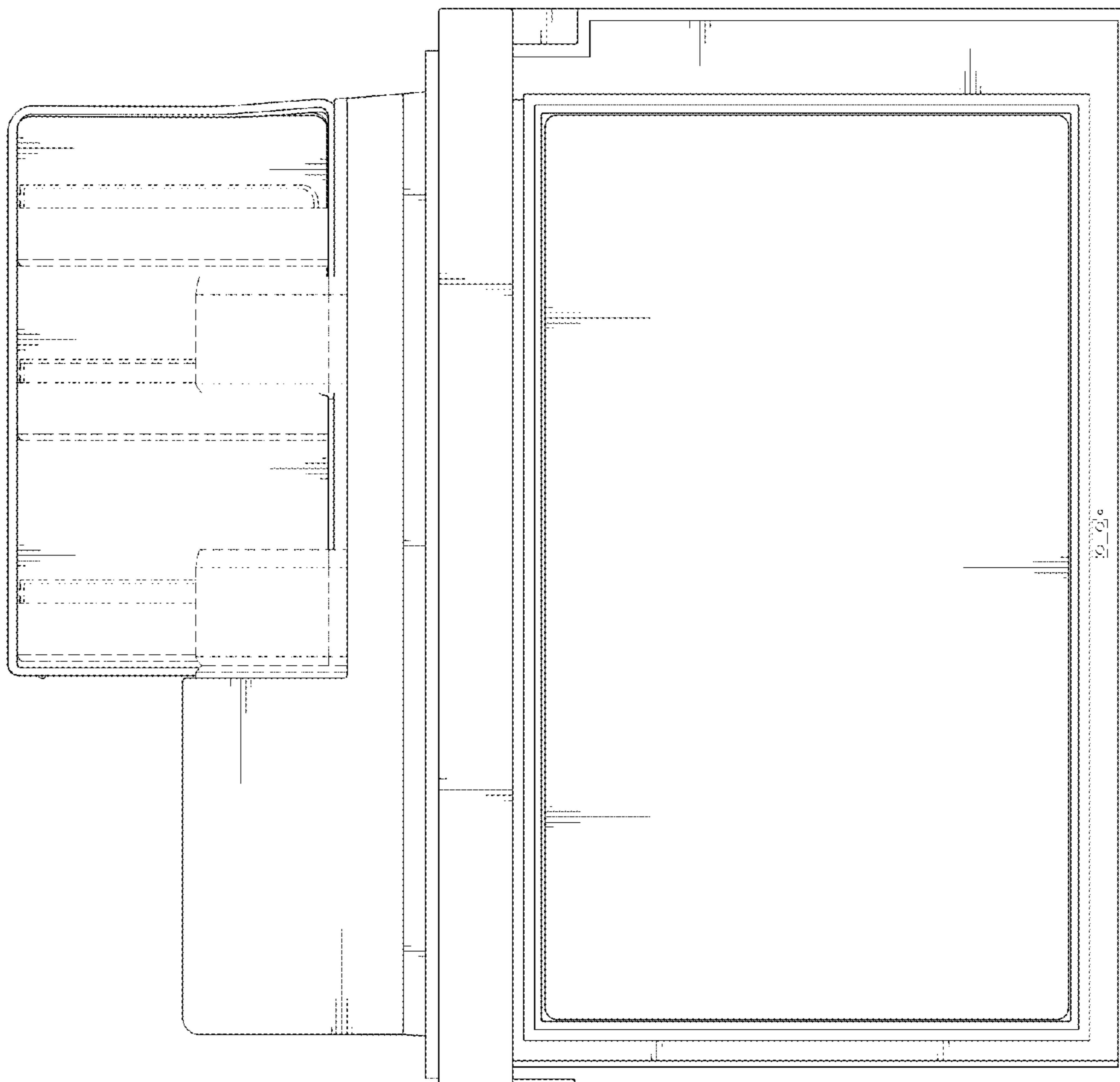


FIG. 20

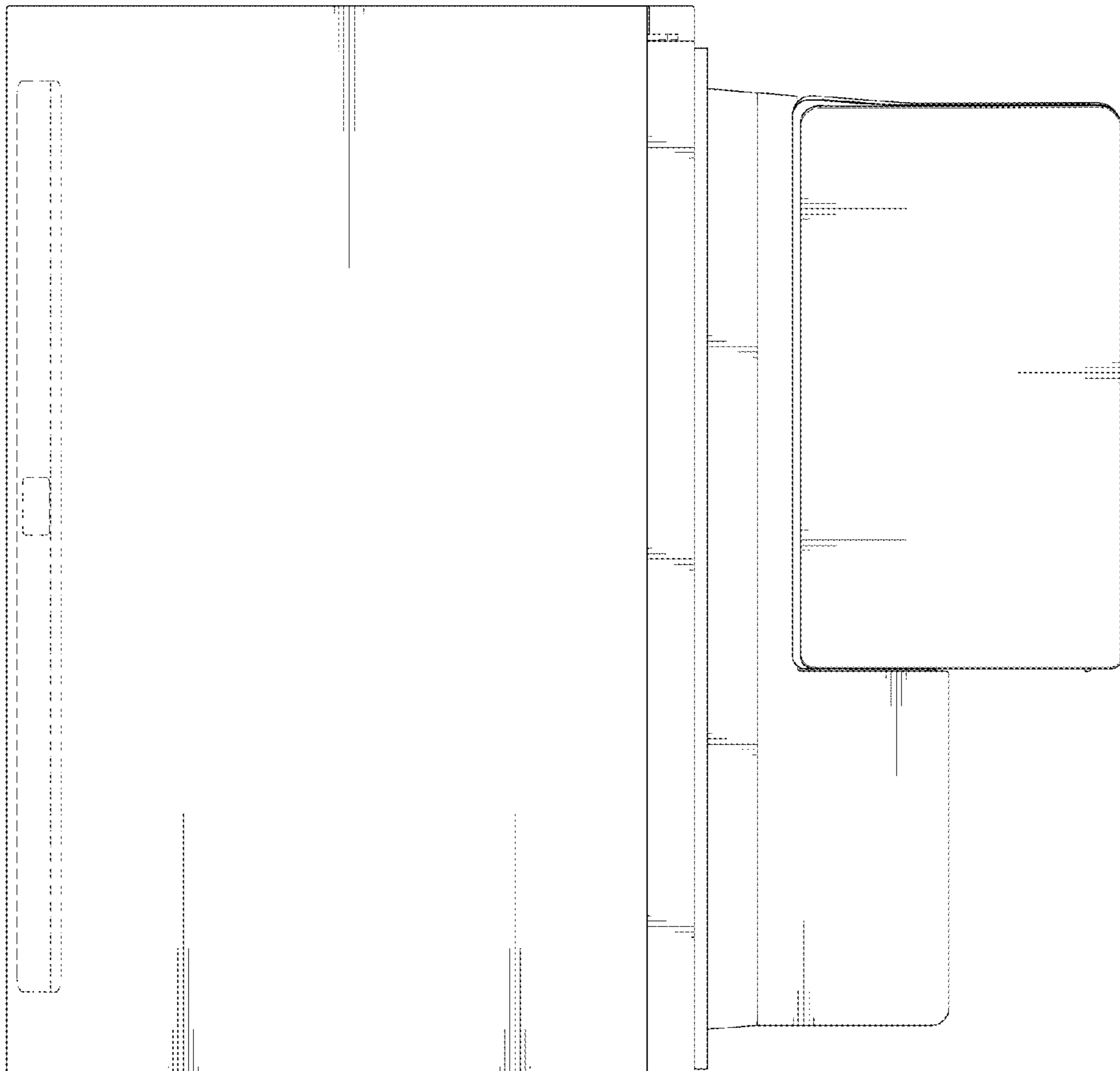


FIG. 21

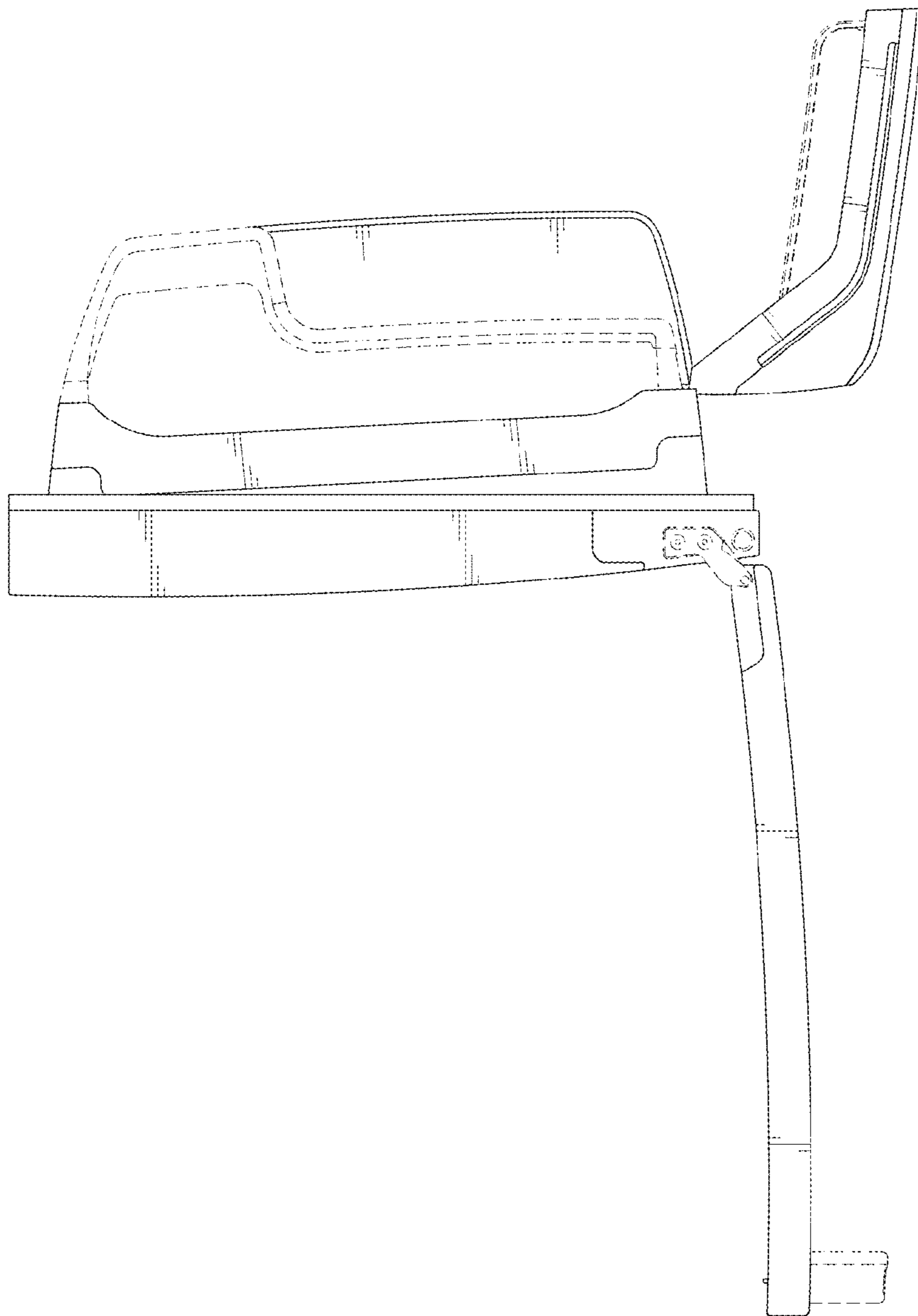


FIG. 22

