



US00D724118S

(12) **United States Design Patent**  
**Kim et al.**

(10) **Patent No.:** **US D724,118 S**  
(45) **Date of Patent:** **\*\* Mar. 10, 2015**

(54) **TRAY FOR REFRIGERATOR**  
(71) Applicant: **Samsung Electronics Co., Ltd.**,  
Suwon-si (KR)  
(72) Inventors: **Kyung Tae Kim**, Seoul (KR); **Kim**  
**Hyun Soo**, Sungnam-si (KR); **Park**  
**Youngmin**, Seoul (KR); **Jong Hyub**  
**Lee**, Seoul (KR)

(73) Assignee: **Samsung Electronics Co., Ltd.** (KR)  
(\*\*) Term: **14 Years**

(21) Appl. No.: **29/467,985**  
(22) Filed: **Sep. 25, 2013**

(30) **Foreign Application Priority Data**  
Mar. 25, 2013 (KR) ..... 30-2013-0015157  
(51) **LOC (10) Cl.** ..... **15-07**  
(52) **U.S. Cl.**  
USPC ..... **D15/89**  
(58) **Field of Classification Search**  
USPC ..... D15/79-91; 62/3.6, 125, 126, 187,  
62/246-255; 312/116, 138.1, 236, 321.5,  
312/330.1, 400-409  
See application file for complete search history.

(56) **References Cited**  
U.S. PATENT DOCUMENTS  
D513,270 S \* 12/2005 Seok et al. .... D15/89  
D676,468 S \* 2/2013 Lee et al. .... D15/89

D677,289 S \* 3/2013 Seo et al. .... D15/90  
D694,289 S \* 11/2013 Hottmann et al. .... D15/89  
D695,796 S \* 12/2013 Lee et al. .... D15/89  
D707,267 S \* 6/2014 Choi et al. .... D15/89  
D709,531 S \* 7/2014 Park et al. .... D15/89  
D709,926 S \* 7/2014 Park et al. .... D15/89  
D709,927 S \* 7/2014 Park et al. .... D15/89  
D709,928 S \* 7/2014 Park et al. .... D15/89  
D710,404 S \* 8/2014 Park et al. .... D15/89  
D710,406 S \* 8/2014 Seo et al. .... D15/89

\* cited by examiner  
*Primary Examiner* — Stella Reid  
*Assistant Examiner* — Khawaja Anwar  
(74) *Attorney, Agent, or Firm* — Cantor Colburn LLP

(57) **CLAIM**  
The ornamental design for a tray for refrigerator, as shown and described.

**DESCRIPTION**  
FIG. 1 is the front perspective view of a tray for refrigerator showing our new design;  
FIG. 2 is a front elevation view thereof;  
FIG. 3 is a rear elevation view thereof;  
FIG. 4 is a side elevation view thereof;  
FIG. 5 is another side elevation view thereof;  
FIG. 6 is a top plan view thereof;  
FIG. 7 is a bottom plan view thereof; and,  
FIG. 8 is a front perspective view thereof, as shown in an unclaimed refrigerator environment.  
The broken lines in FIG. 8 of the drawings show unclaimed environment only and form no part of the claimed design.

**1 Claim, 8 Drawing Sheets**

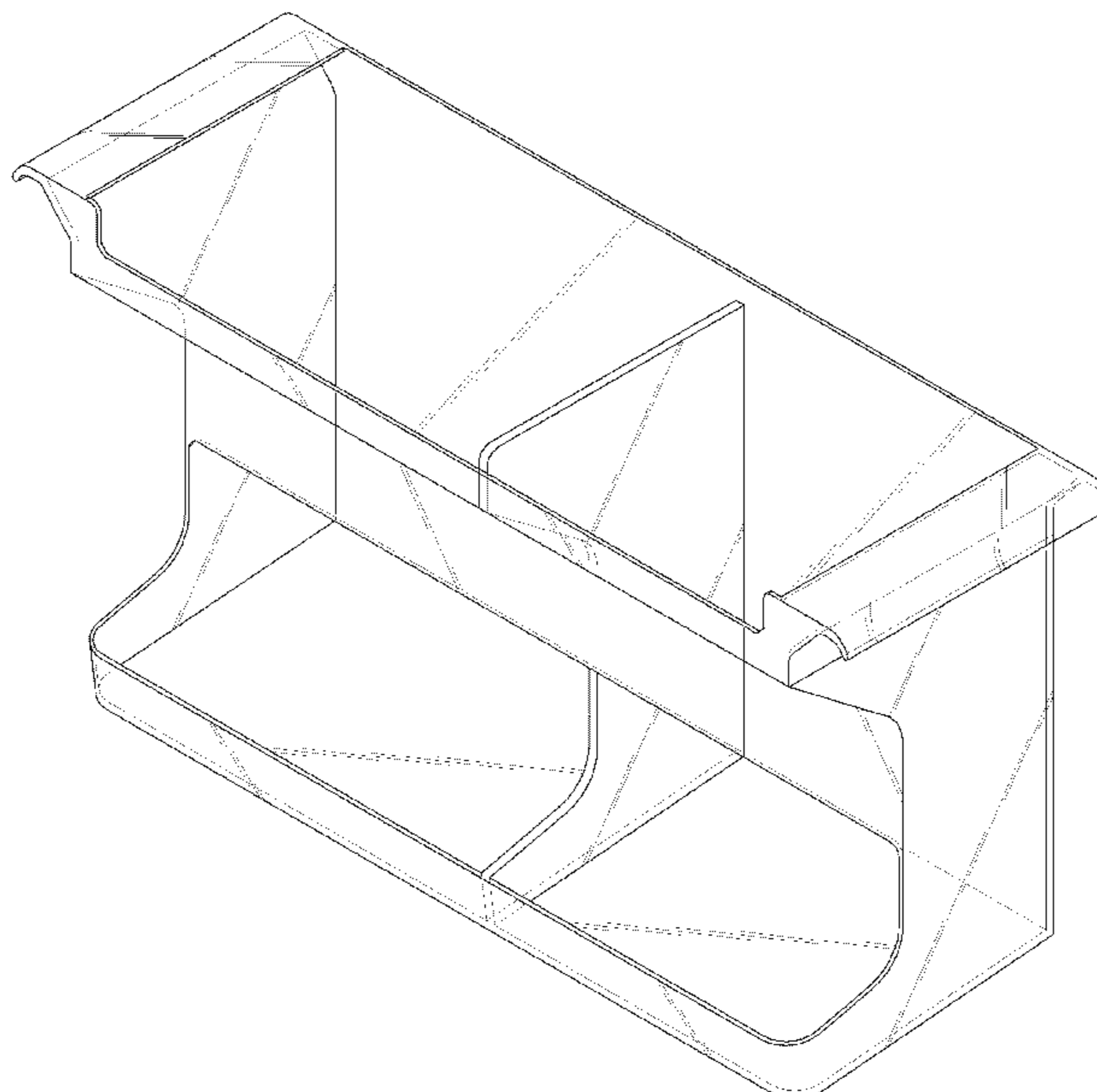


FIG. 1

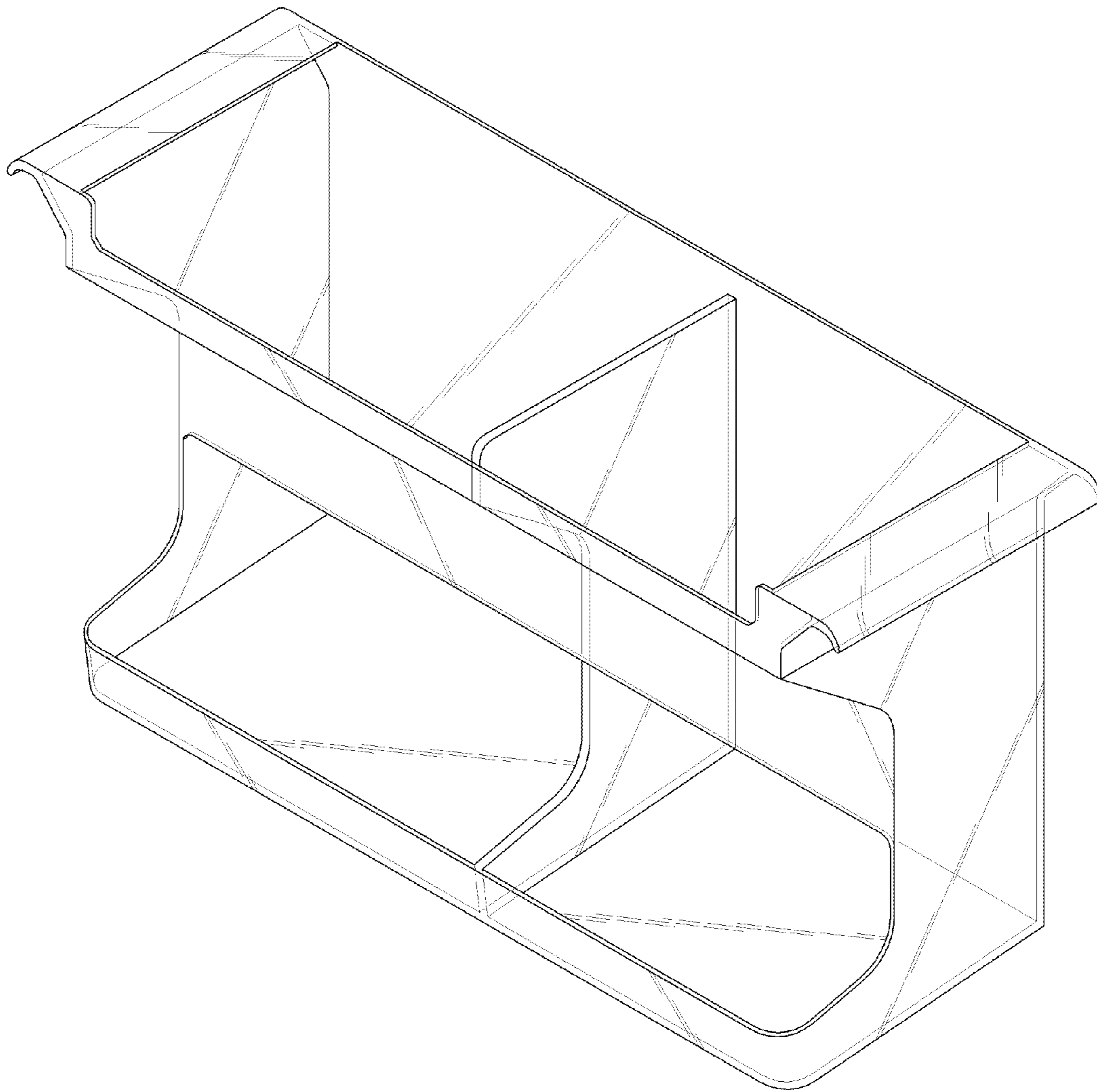
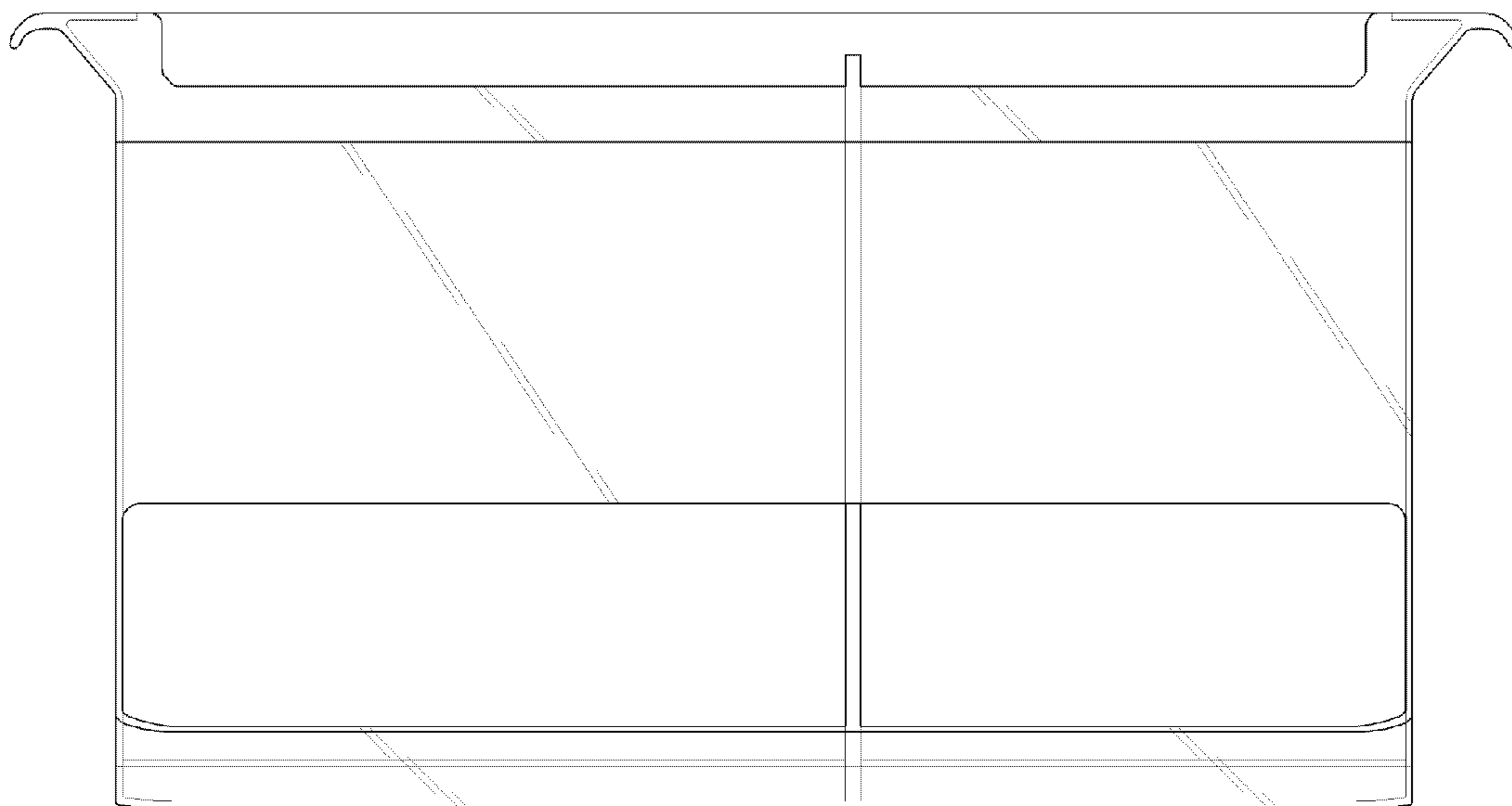
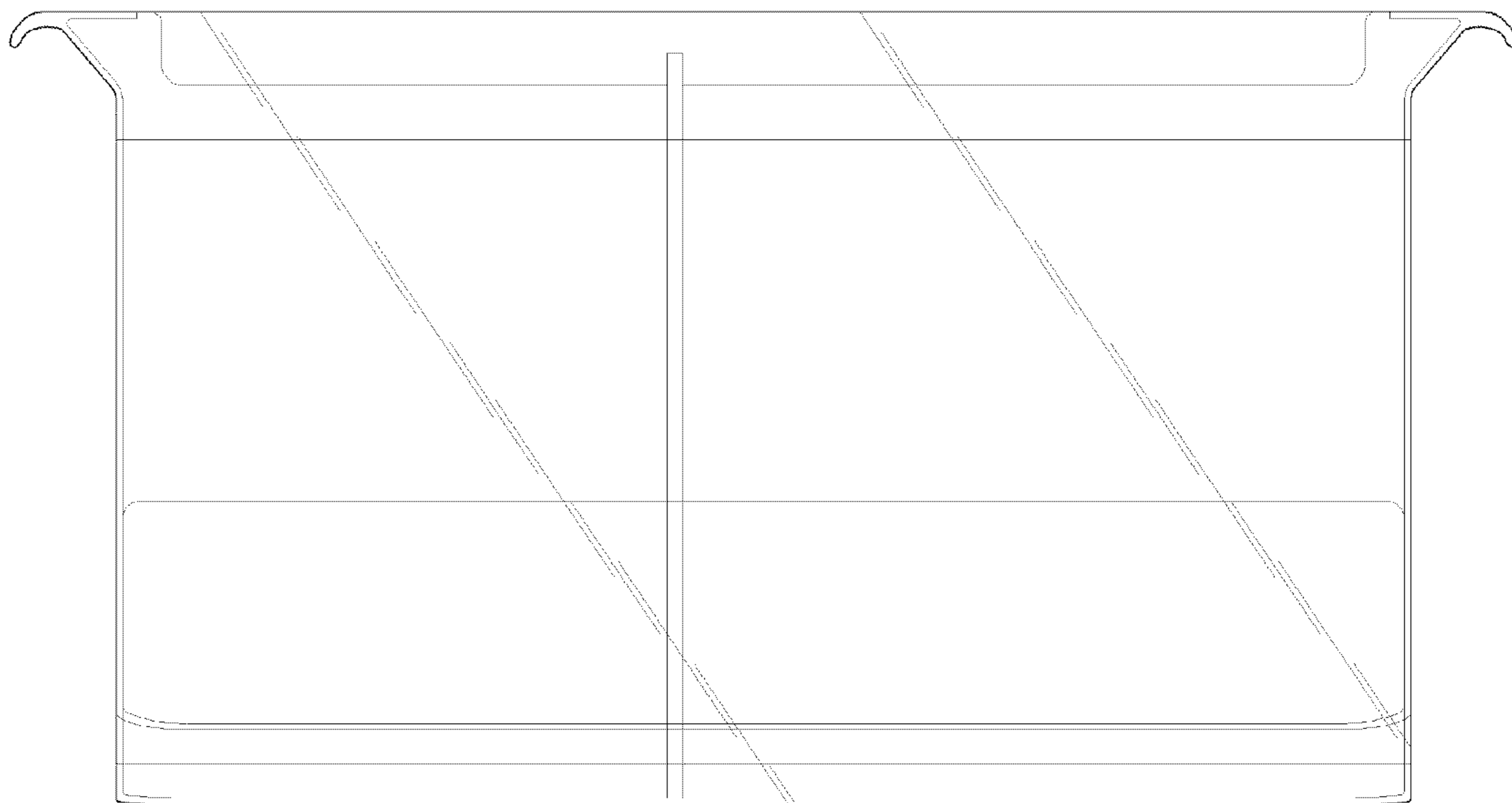


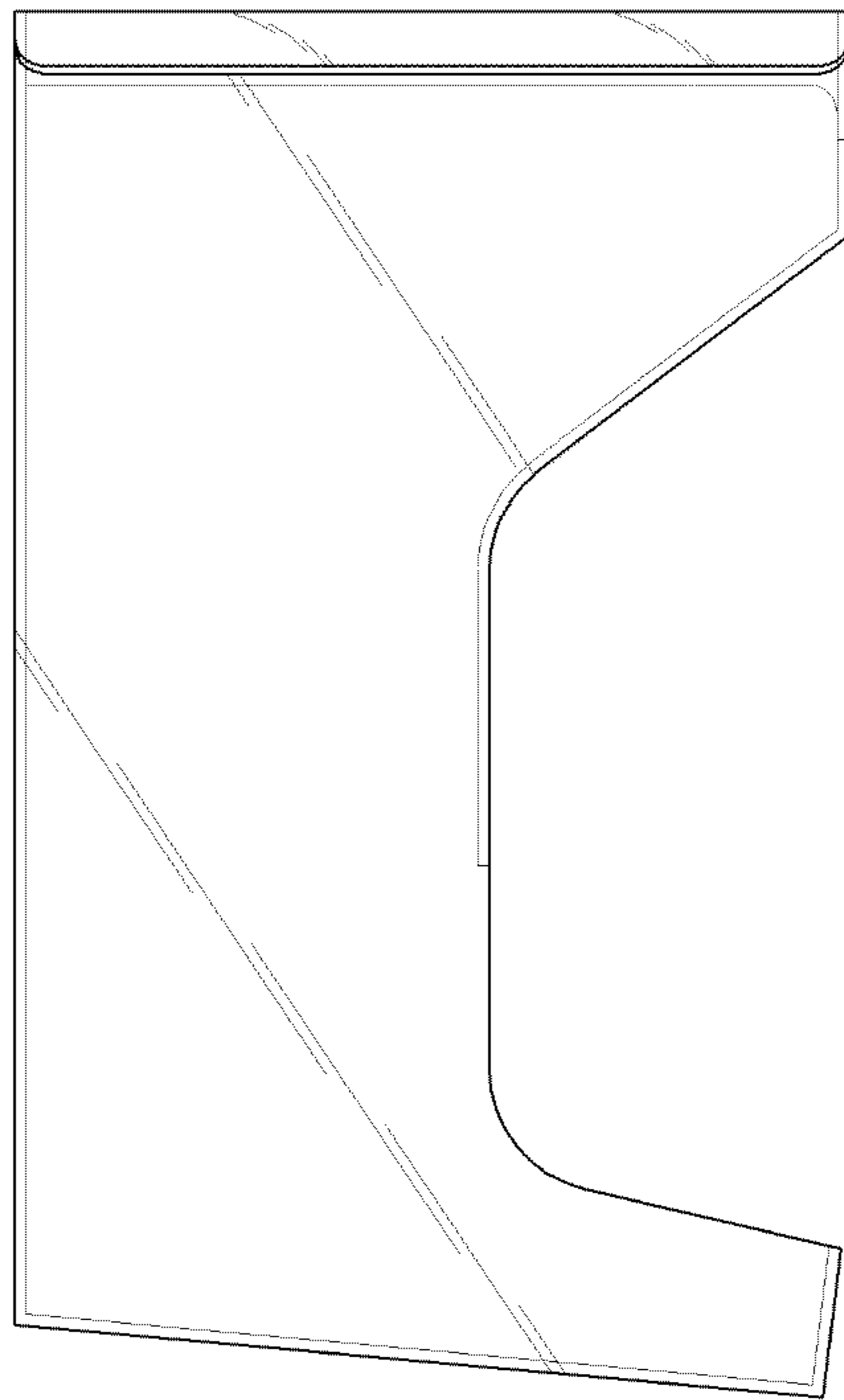
FIG. 2



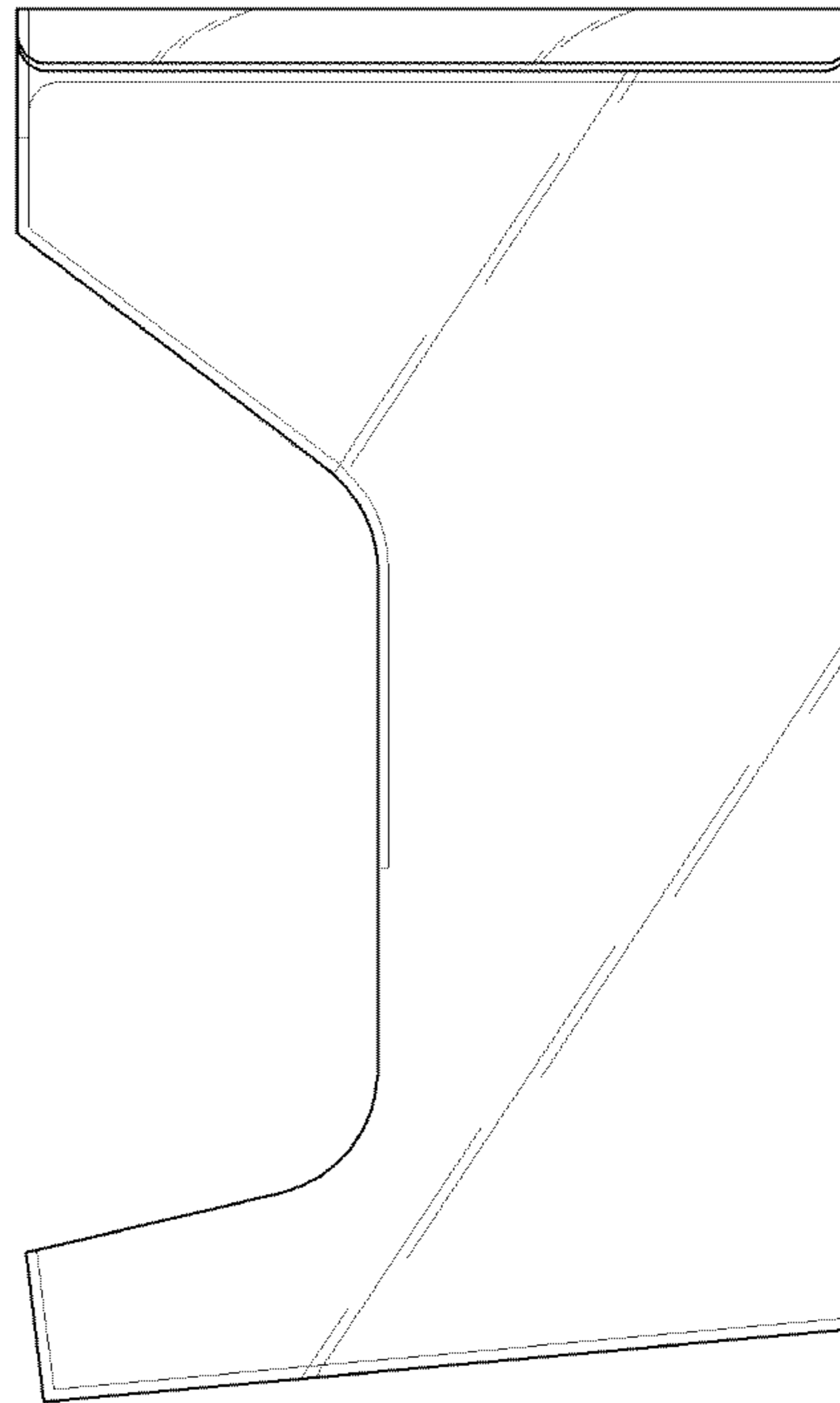
**FIG. 3**



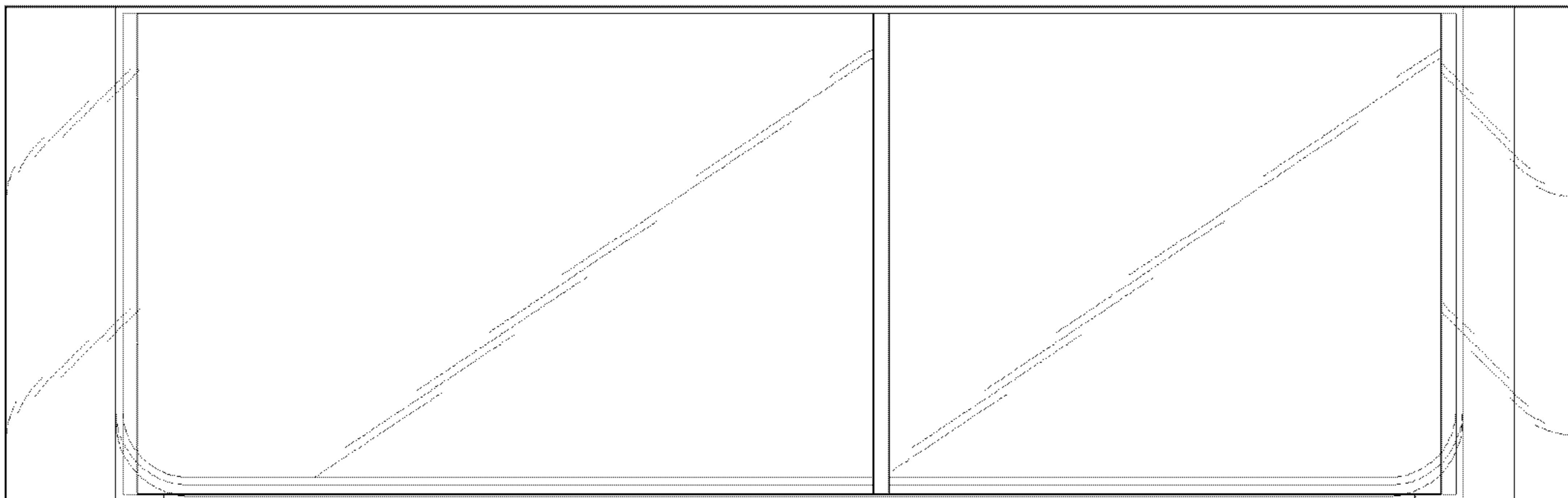
**FIG. 4**



**FIG. 5**



**FIG. 6**



**FIG. 7**

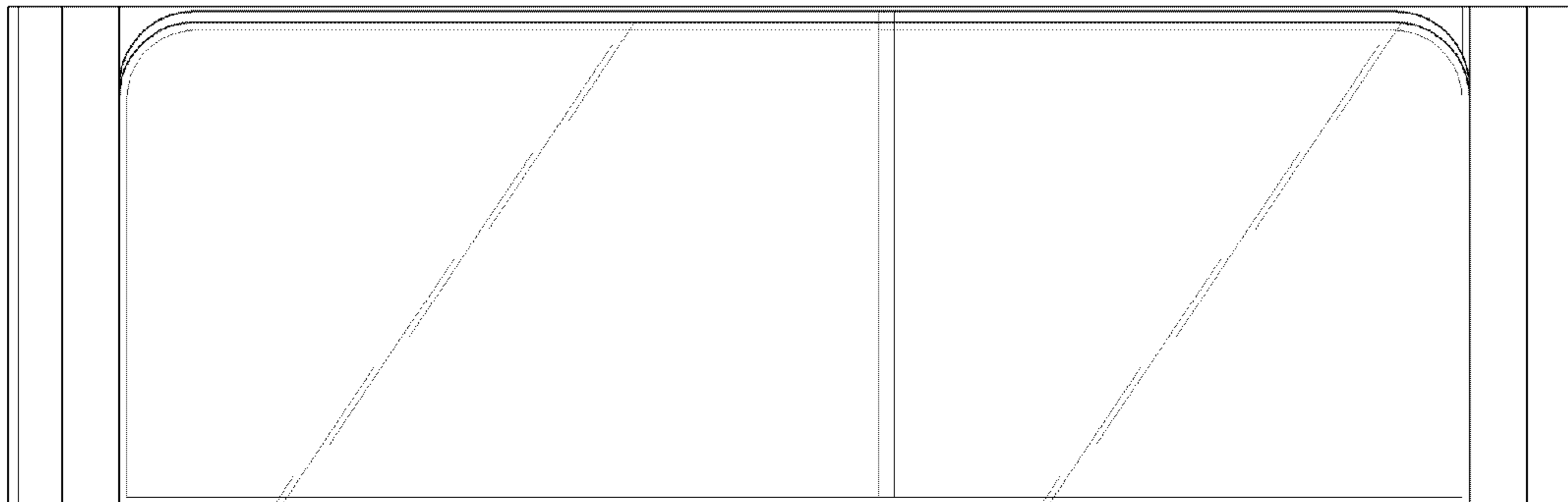




FIG. 8

