



US00D724116S

(12) **United States Design Patent**
Jeon et al.

(10) **Patent No.:** **US D724,116 S**
(45) **Date of Patent:** **** Mar. 10, 2015**

(54) **PANEL FOR REFRIGERATOR DISPENSER**

(56) **References Cited**

(71) Applicant: **Samsung Electronics Co., Ltd.**,
Suwon-si, Gyeonggi-do (KR)
(72) Inventors: **Sang-Woon Jeon**, Namyangju-si (KR);
Se-Youn Park, Incheon (KR);
Jae-Moon Lee, Seoul (KR)

U.S. PATENT DOCUMENTS

D211,773	S	*	7/1968	Schroeder	D15/85
D365,579	S	*	12/1995	Baker et al.	D15/89
5,474,213	A	*	12/1995	Unger	222/108
D367,659	S	*	3/1996	Baker et al.	D15/89
D569,399	S	*	5/2008	Crookshanks et al.	D15/89
D669,470	S	*	10/2012	Zha et al.	D14/341
D700,180	S	*	2/2014	Hong	D14/341
D714,363	S	*	9/2014	Jeon et al.	D15/86

(73) Assignee: **Samsung Electronics Co., Ltd.** (KR)

* cited by examiner

(**) Term: **14 Years**

Primary Examiner — Stella Reid

Assistant Examiner — Khawaja Anwar

(21) Appl. No.: **29/466,070**

(74) *Attorney, Agent, or Firm* — Cantor Colburn LLP

(22) Filed: **Sep. 4, 2013**

(57) **CLAIM**

The ornamental design for a panel for refrigerator dispenser, as shown and described.

(30) **Foreign Application Priority Data**

DESCRIPTION

Mar. 5, 2013 (KR) 30-2013-0011117

(51) **LOC (10) Cl.** **15-07**

(52) **U.S. Cl.** **D15/89**

USPC **D15/89**

(58) **Field of Classification Search**

USPC D15/79-89, 91; D7/306; 312/236, 352,
312/400-408, 116; 62/3.1-3.64, 98, 236,
62/246-255, 275, 293, 331, 344, 352, 371,
62/440, 467, 529, 531; 222/146.5, 145.6;
D14/341

FIG. 1 is a perspective view of a panel for refrigerator dispenser, showing our new design;
FIG. 2 is a front elevation view thereof;
FIG. 3 is a rear elevation view thereof;
FIG. 4 is a side elevation view thereof;
FIG. 5 is a another side elevation view thereof;
FIG. 6 is a top plan view thereof;
FIG. 7 is a bottom plan view thereof; and,
FIG. 8 is a perspective view thereof shown in an unclaimed refrigerator environment.

The broken lines in the drawings show unclaimed environment only and form no part of the claimed design.

See application file for complete search history.

1 Claim, 5 Drawing Sheets

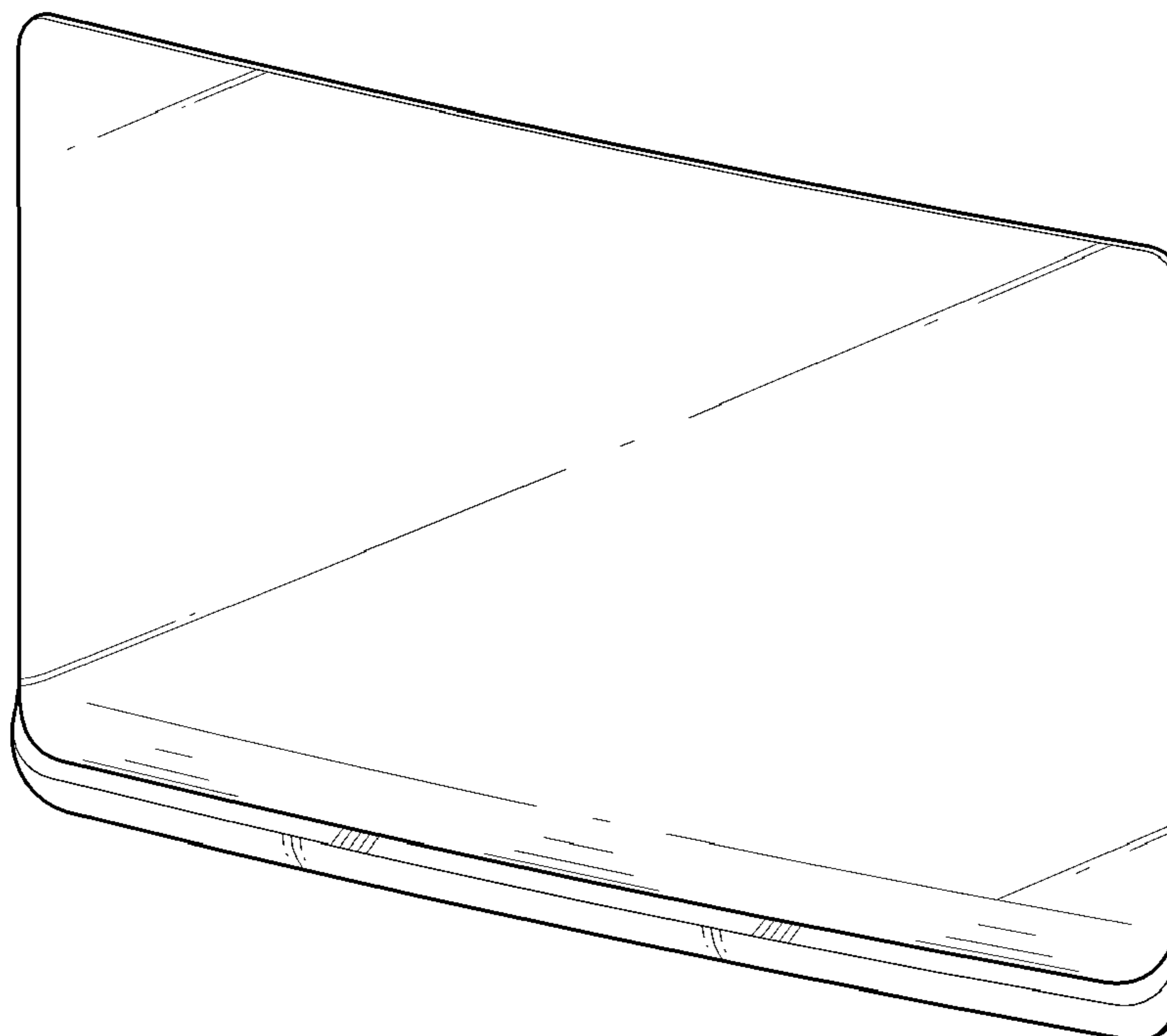


FIG. 1

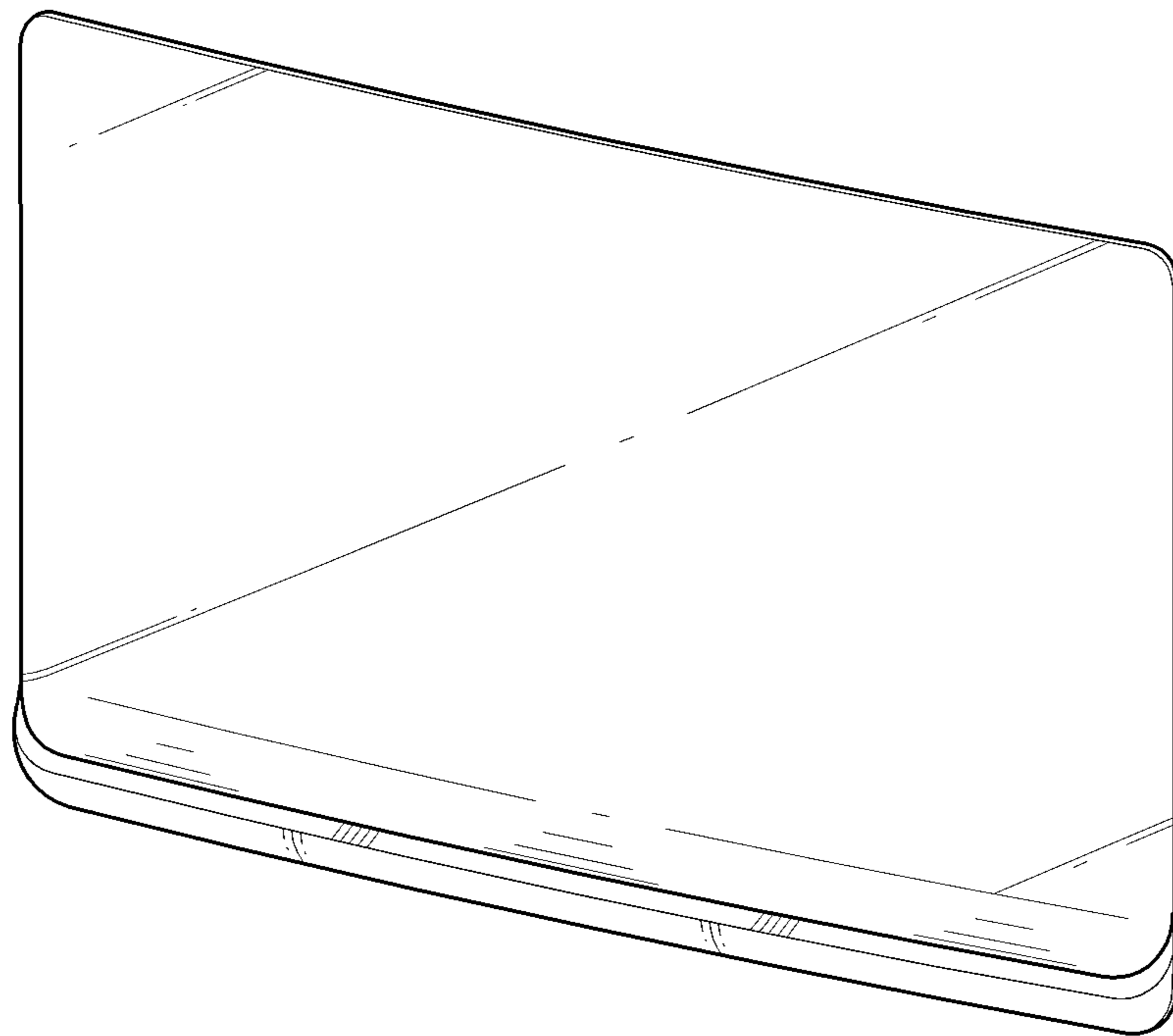


FIG. 2

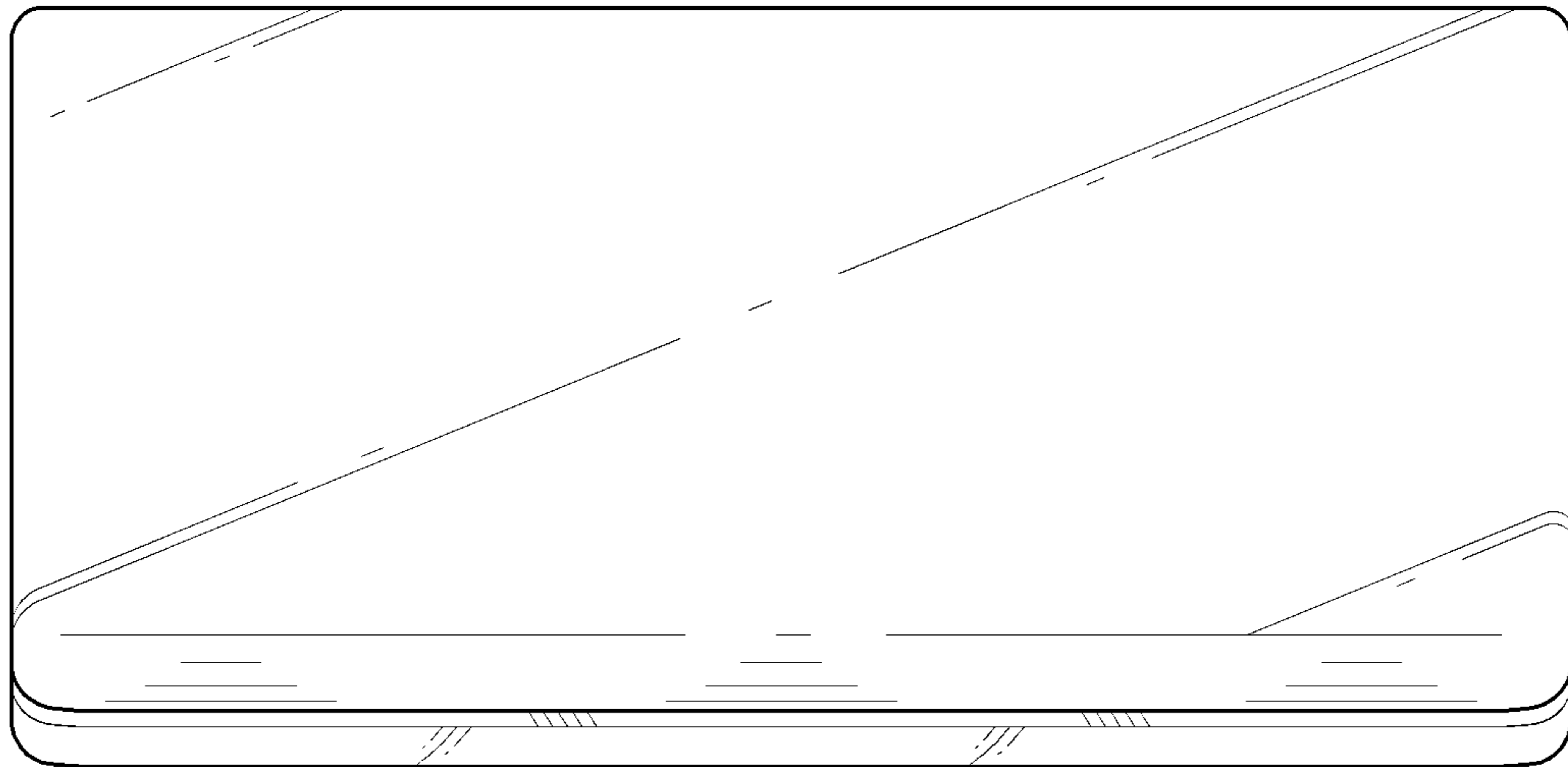


FIG. 3

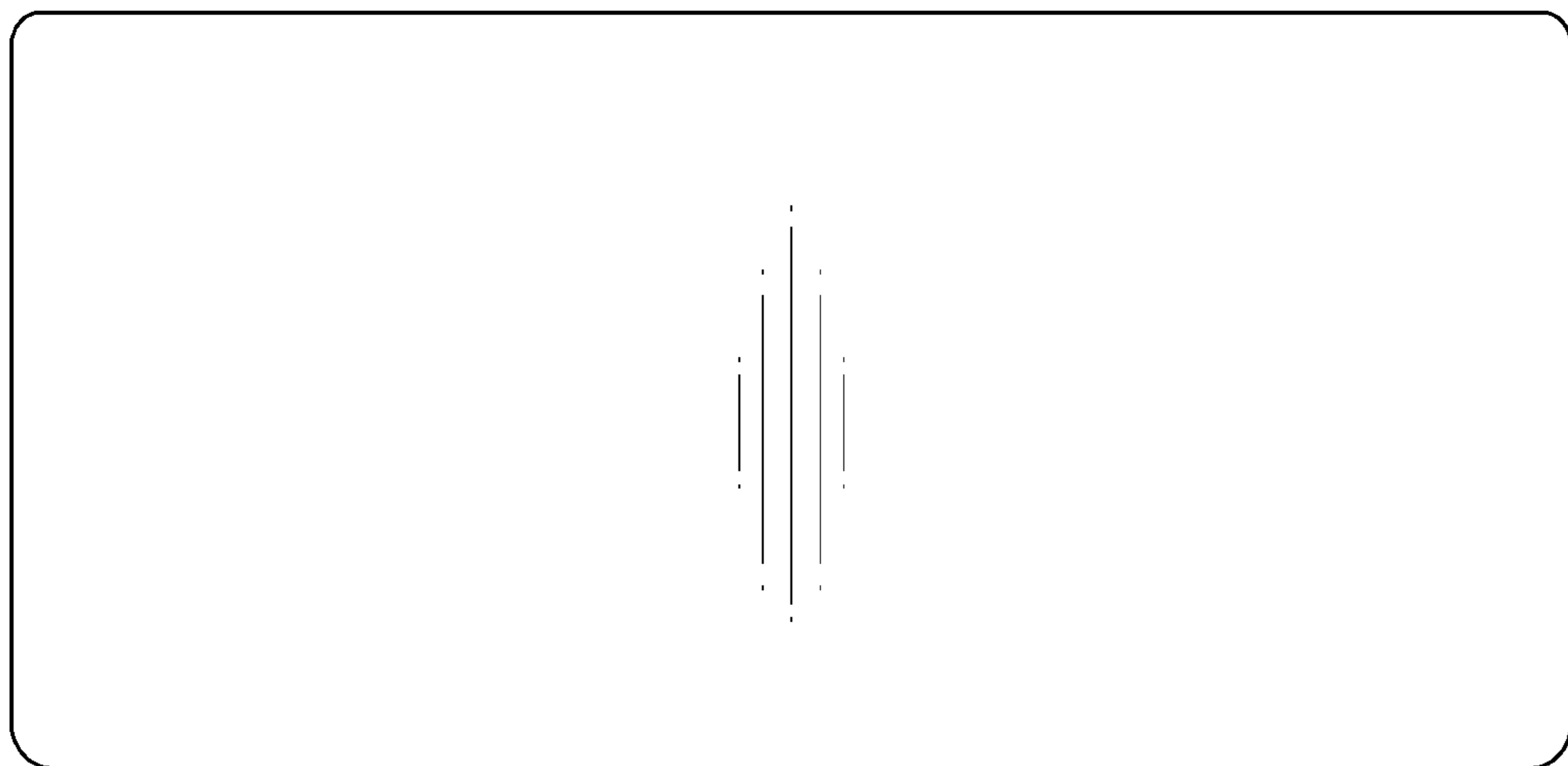


FIG. 4



FIG. 5



FIG. 6



FIG. 7



FIG. 8

