



US00D724112S

(12) **United States Design Patent**
Neel

(10) **Patent No.:** **US D724,112 S**
(45) **Date of Patent:** **** Mar. 10, 2015**

- (54) **SEWING MACHINE**
- (71) Applicant: **Ryan O. Neel**, Columbiana, OH (US)
- (72) Inventor: **Ryan O. Neel**, Columbiana, OH (US)
- (**) Term: **14 Years**
- (21) Appl. No.: **29/479,789**
- (22) Filed: **Jan. 20, 2014**
- (51) **LOC (10) Cl.** **15-06**
- (52) **U.S. Cl.**
USPC **D15/69**
- (58) **Field of Classification Search**
USPC D15/66-76; 112/2, 63, 78, 154, 475.01,
112/256-261, 217.1-217.4
See application file for complete search history.

3,098,459 A *	7/1963	Bono	112/114
D197,585 S *	2/1964	Fritts	D15/69
3,123,032 A *	3/1964	Gehring	112/107
3,183,869 A *	5/1965	Hedegaard et al.	112/140
D202,589 S *	10/1965	Dreyfuss	D15/69
D212,061 S *	8/1968	Dreyfuss	D15/69
D224,809 S *	9/1972	Genaro	D15/69
D232,265 S *	7/1974	Laidig	D15/69
D249,268 S *	9/1978	Current	D15/69

* cited by examiner

Primary Examiner — Mitchell Siegel

(57) **CLAIM**

The ornamental design for a sewing machine, as shown and described.

DESCRIPTION

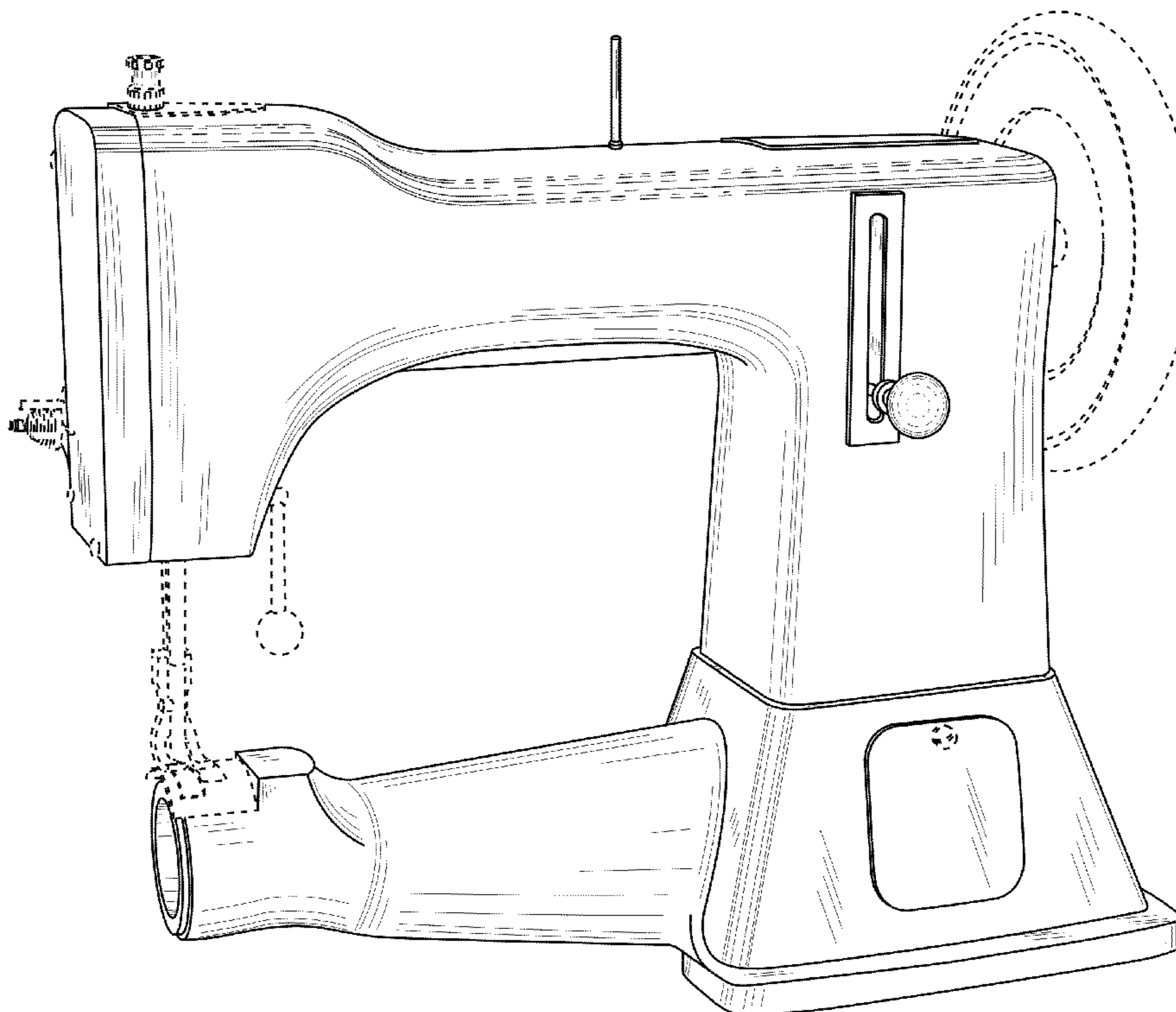
FIG. 1 is a perspective view of a sewing machine;
 FIG. 2 is a front view thereof;
 FIG. 3 is a left view thereof;
 FIG. 4 is a rear view thereof;
 FIG. 5 is a right view thereof;
 FIG. 6 is a top view thereof; and,
 FIG. 7 is a bottom view thereof.
 The broken line showing fasteners, flywheel, and additional parts is included for the purpose of illustrating environmental structure and forms no part of the claimed design.

1 Claim, 7 Drawing Sheets

(56) **References Cited**

U.S. PATENT DOCUMENTS

D91,816 S *	3/1934	Goosman	D15/69
D140,208 S *	1/1945	Clayton	D15/69
D158,113 S *	4/1950	Marsac et al.	D15/69
D160,500 S *	10/1950	Jolson	D15/69
2,557,844 A *	6/1951	Schmitt	112/184
D176,318 S *	12/1955	Fujita	D15/69
D178,145 S *	6/1956	Morse	D15/69
D183,428 S *	8/1958	Park	D15/69
2,872,884 A *	2/1959	Peck	112/105
2,876,721 A *	3/1959	Burke	112/148
D188,476 S *	7/1960	Redmann	D15/69



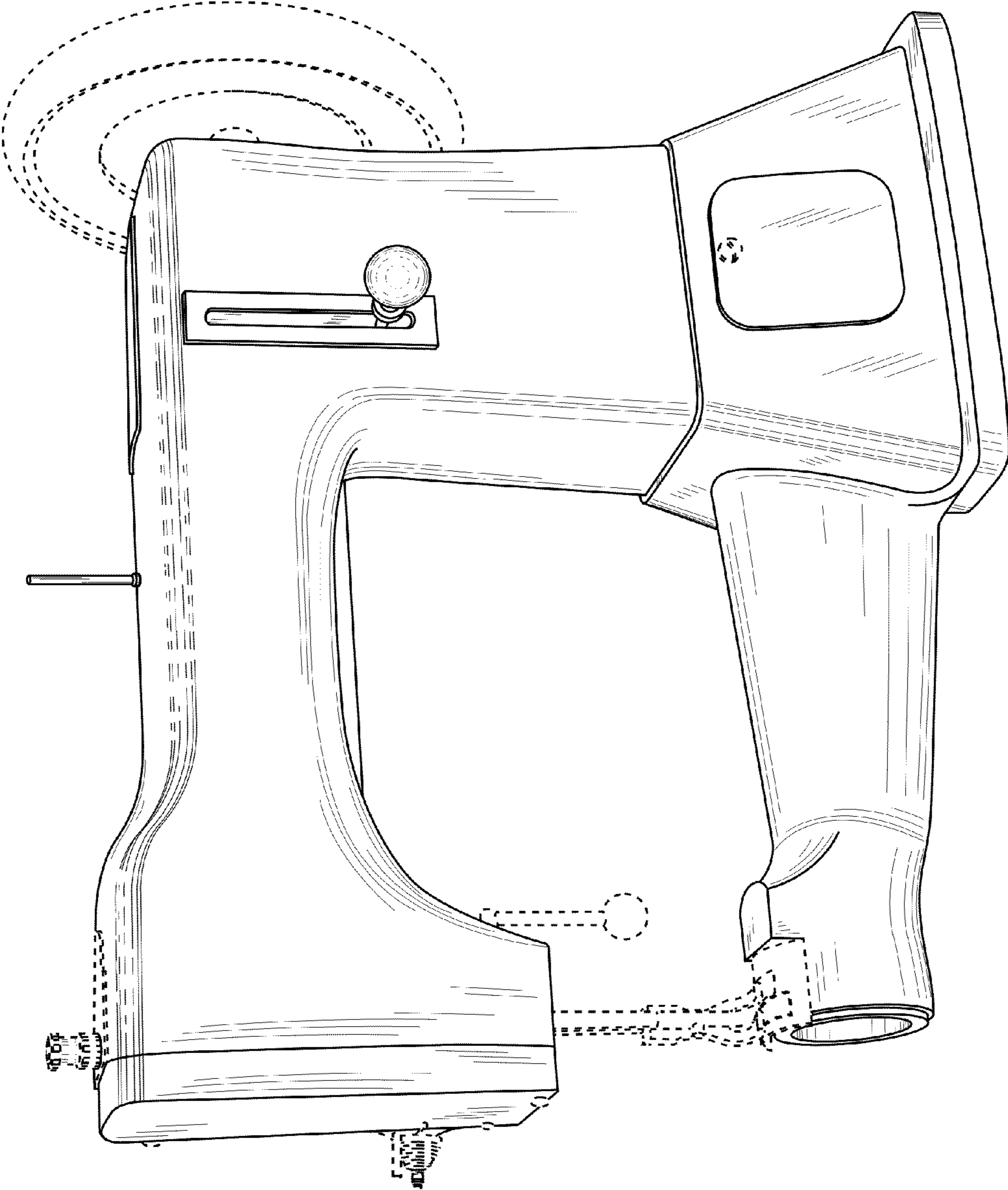


FIG. 1

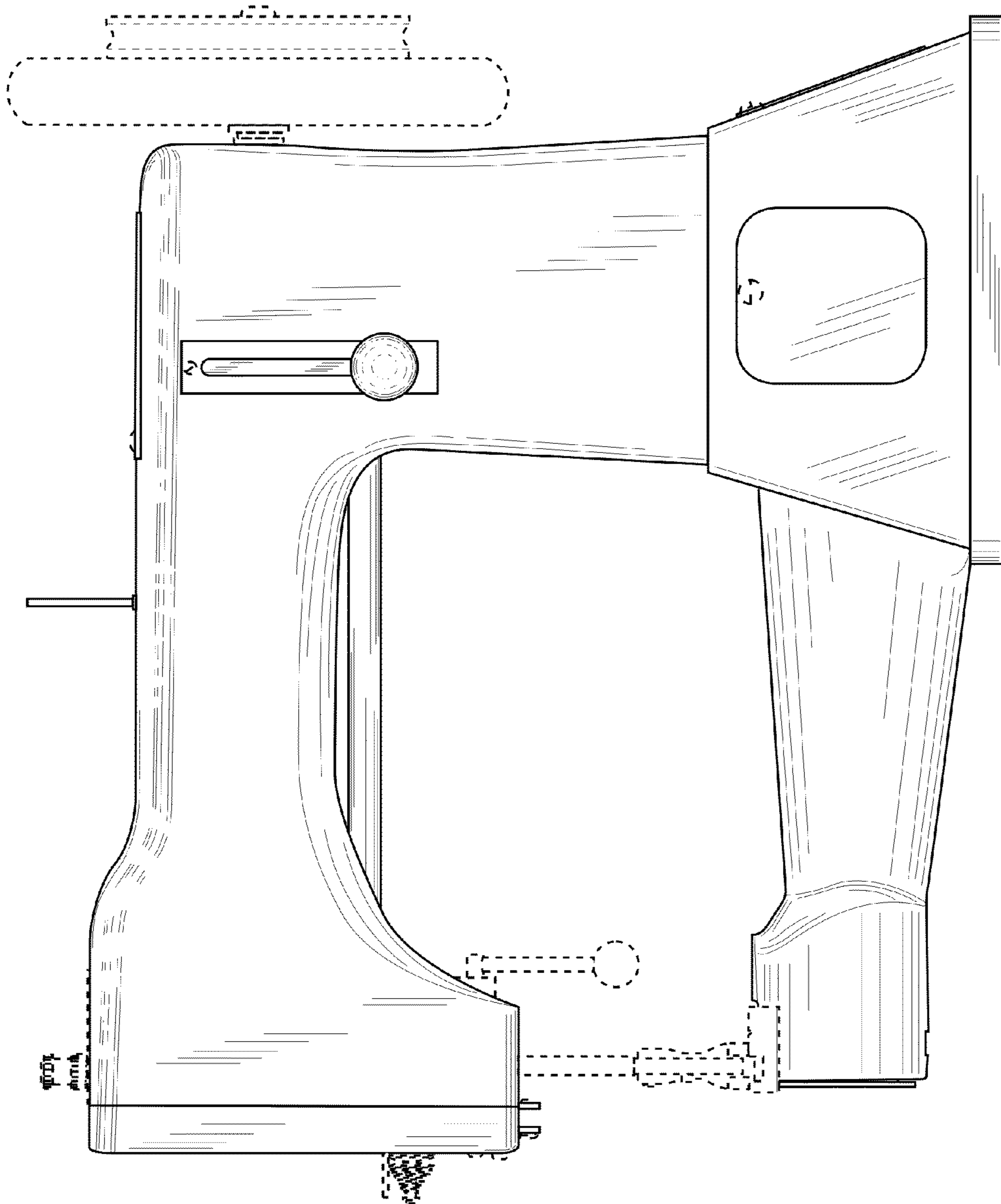


FIG. 2

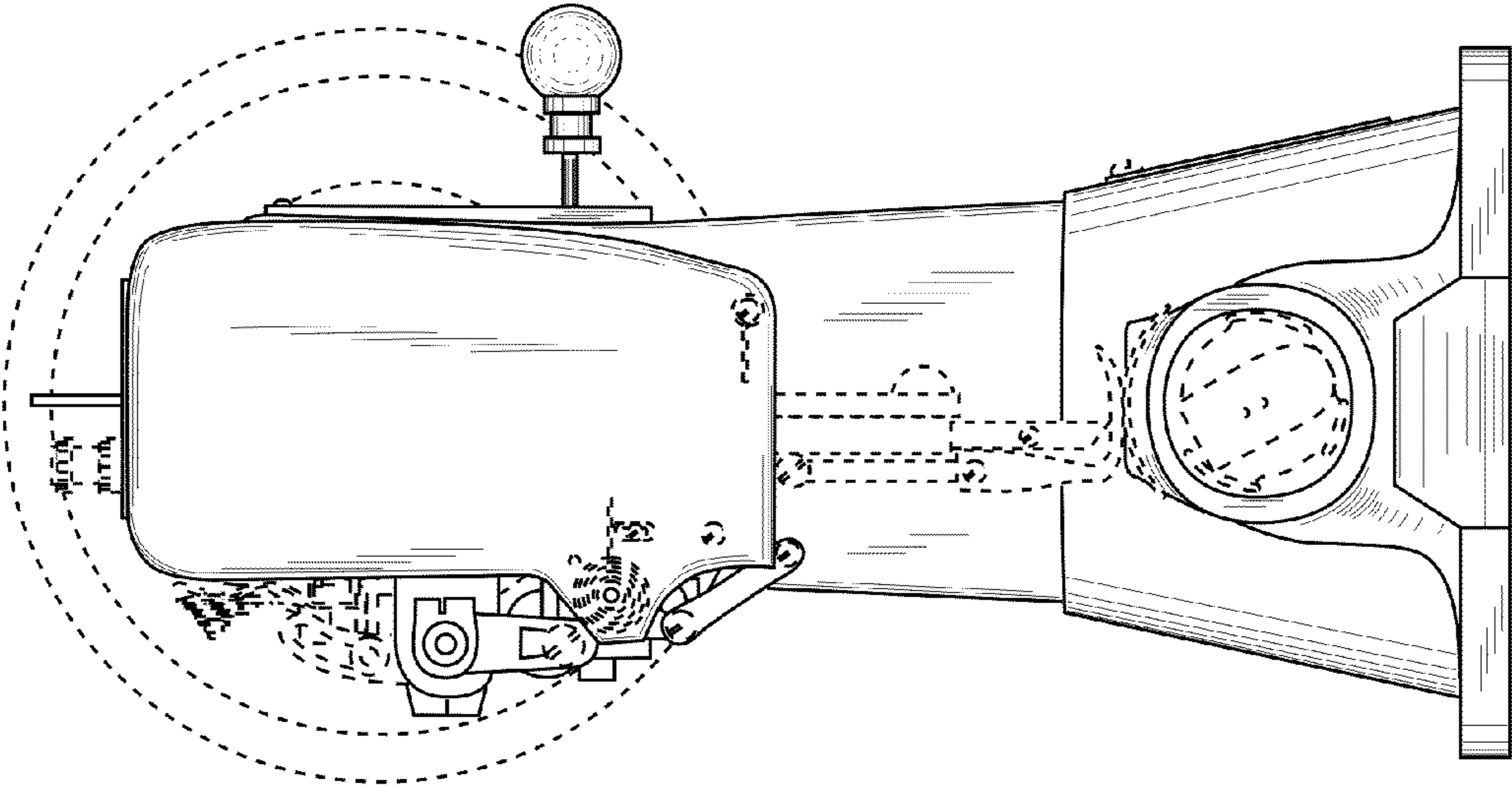


FIG. 3

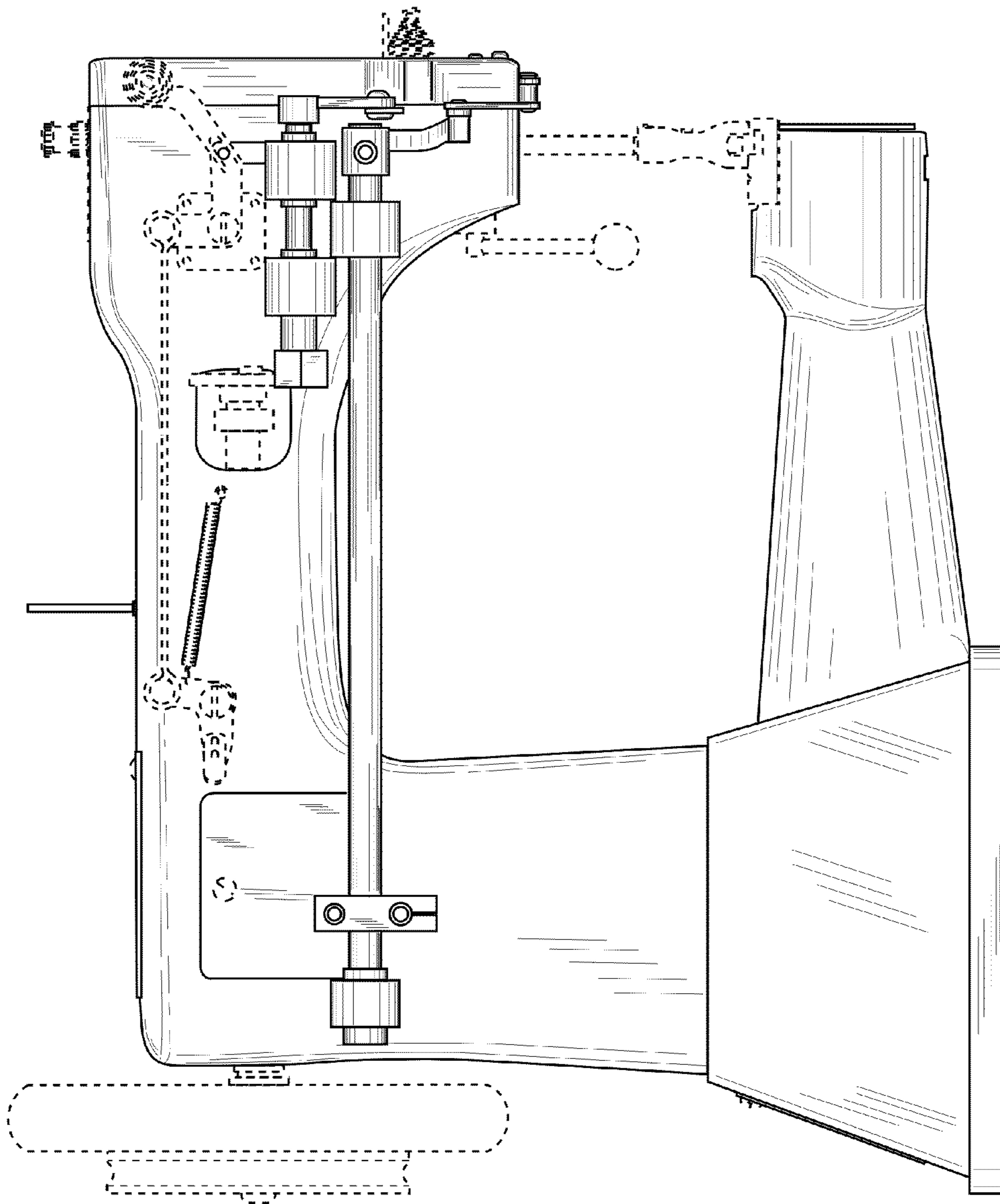


FIG. 4

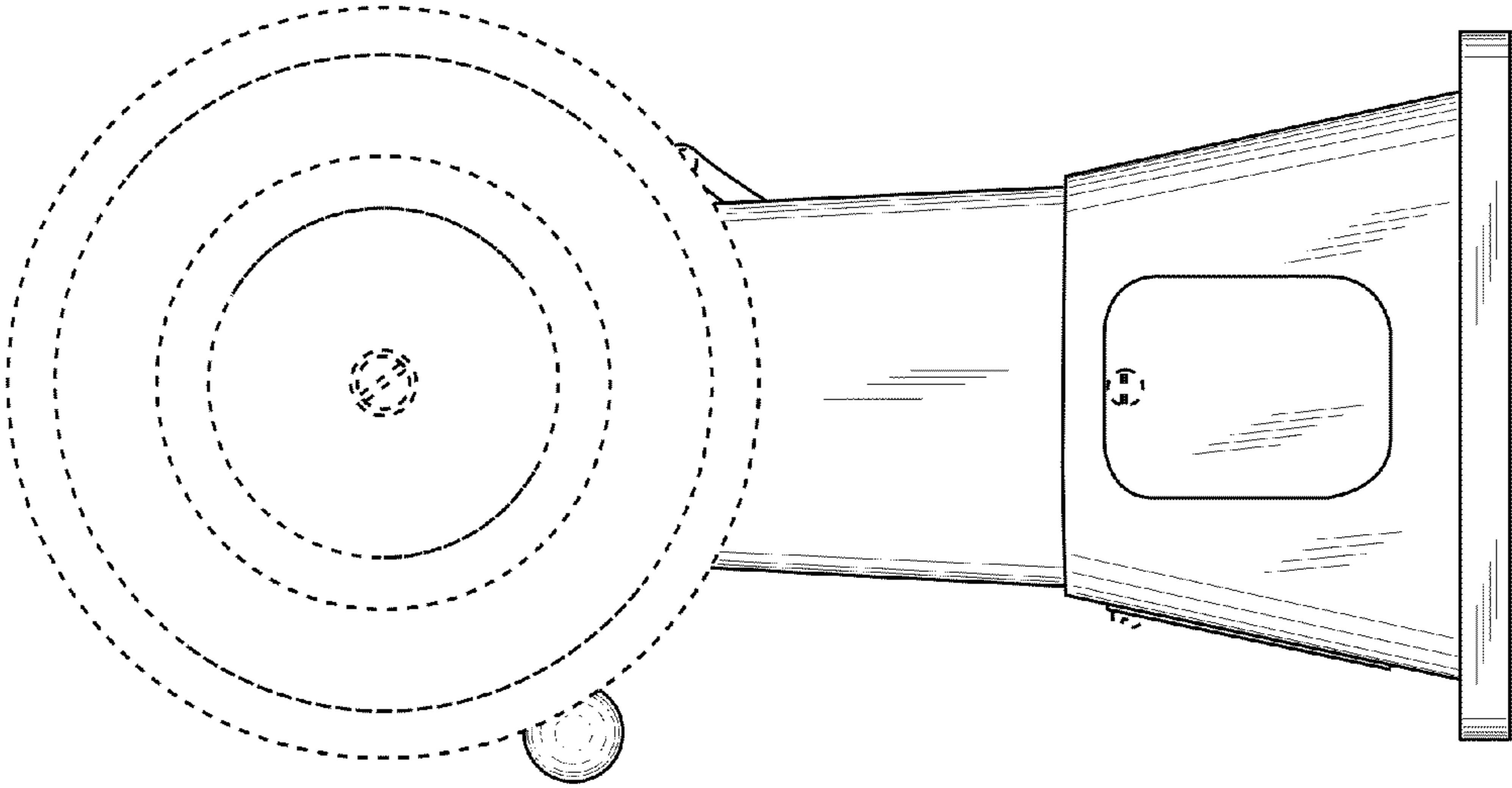


FIG. 5

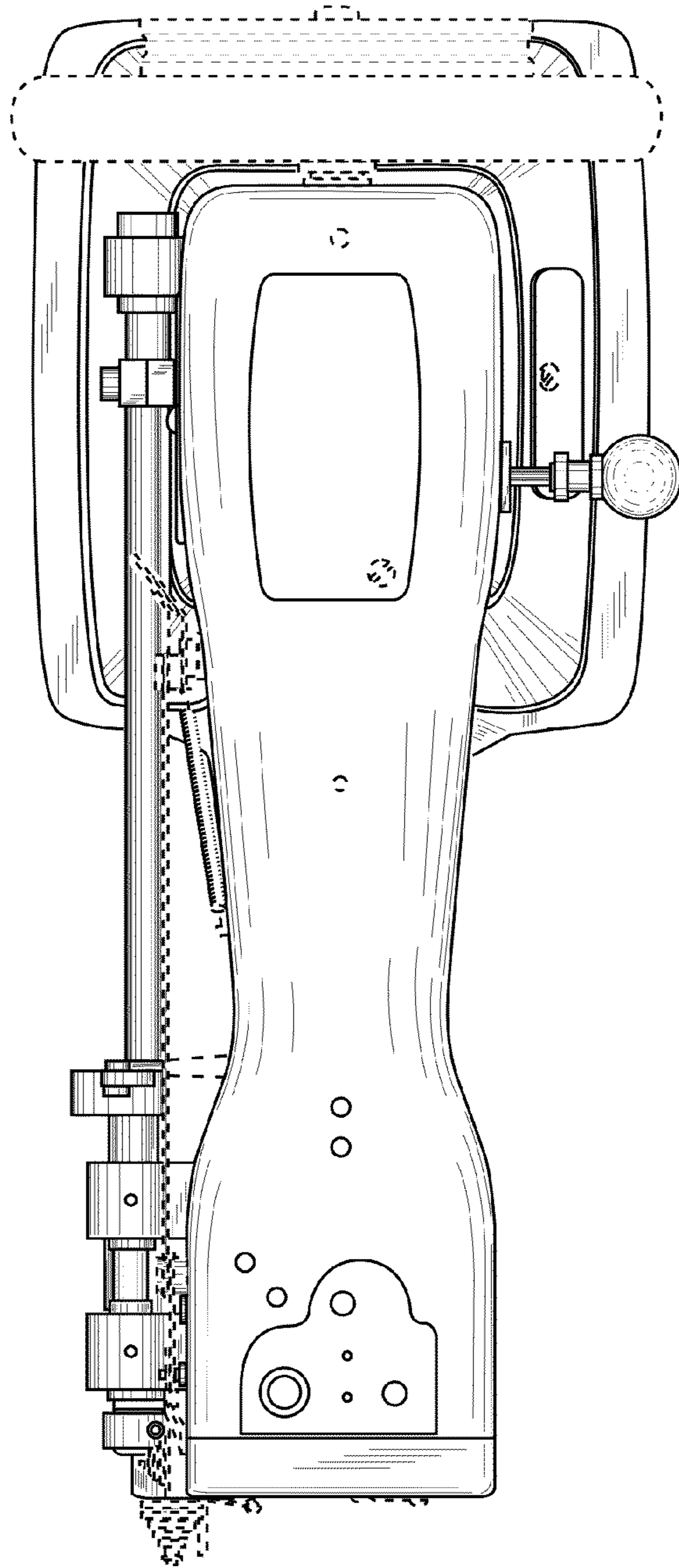


FIG. 6

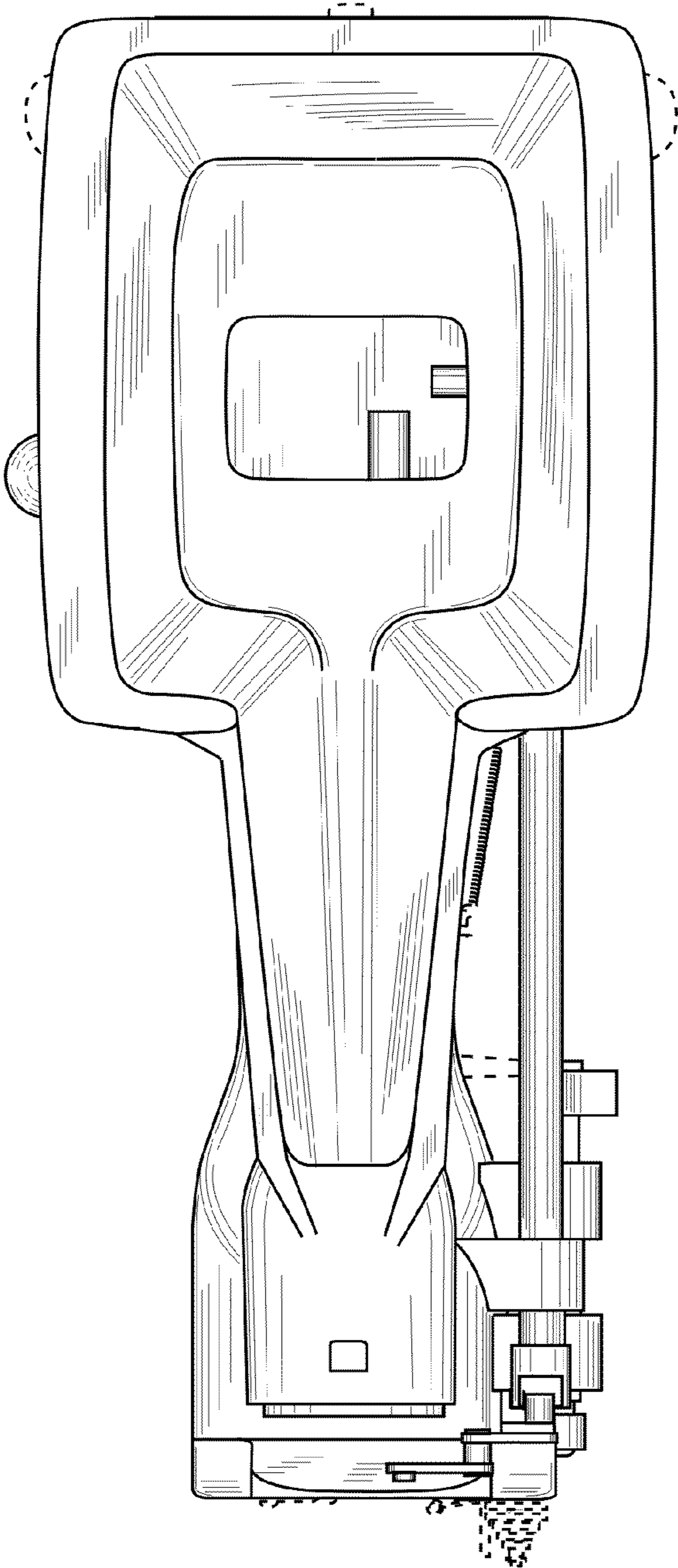


FIG. 7