



US00D724110S

(12) **United States Design Patent**
Asano

(10) **Patent No.:** **US D724,110 S**
(45) **Date of Patent:** **** Mar. 10, 2015**

- (54) **SEWING MACHINE**
- (71) Applicant: **Masahide Asano**, Nagoya (JP)
- (72) Inventor: **Masahide Asano**, Nagoya (JP)
- (73) Assignee: **Brother Industries, Ltd.**, Nagoya (JP)
- (**) Term: **14 Years**
- (21) Appl. No.: **29/468,394**
- (22) Filed: **Sep. 30, 2013**
- (51) **LOC (10) Cl.** **15-06**
- (52) **U.S. Cl.**
USPC **D15/69**
- (58) **Field of Classification Search**
USPC D15/66-78; 112/217.1-217.4,
112/255-261, 475.01
See application file for complete search history.

- D671,567 S * 11/2012 Muto D15/69
- D687,869 S * 8/2013 Hattori D15/69
- D687,870 S * 8/2013 Hattori D15/69
- D691,181 S * 10/2013 Asano et al. D15/69

* cited by examiner

Primary Examiner — Stella Reid
Assistant Examiner — Khawaja Anwar
(74) *Attorney, Agent, or Firm* — Oliff PLC

(57) **CLAIM**

The ornamental design for a sewing machine, as shown and described.

DESCRIPTION

FIG. 1 is a perspective view of a sewing machine;
FIG. 2 is a front view thereof;
FIG. 3 is a top view thereof;
FIG. 4 is a right-side view thereof;
FIG. 5 is a left-side view thereof;
FIG. 6 is a rear view thereof; and,
FIG. 7 is a bottom view thereof.

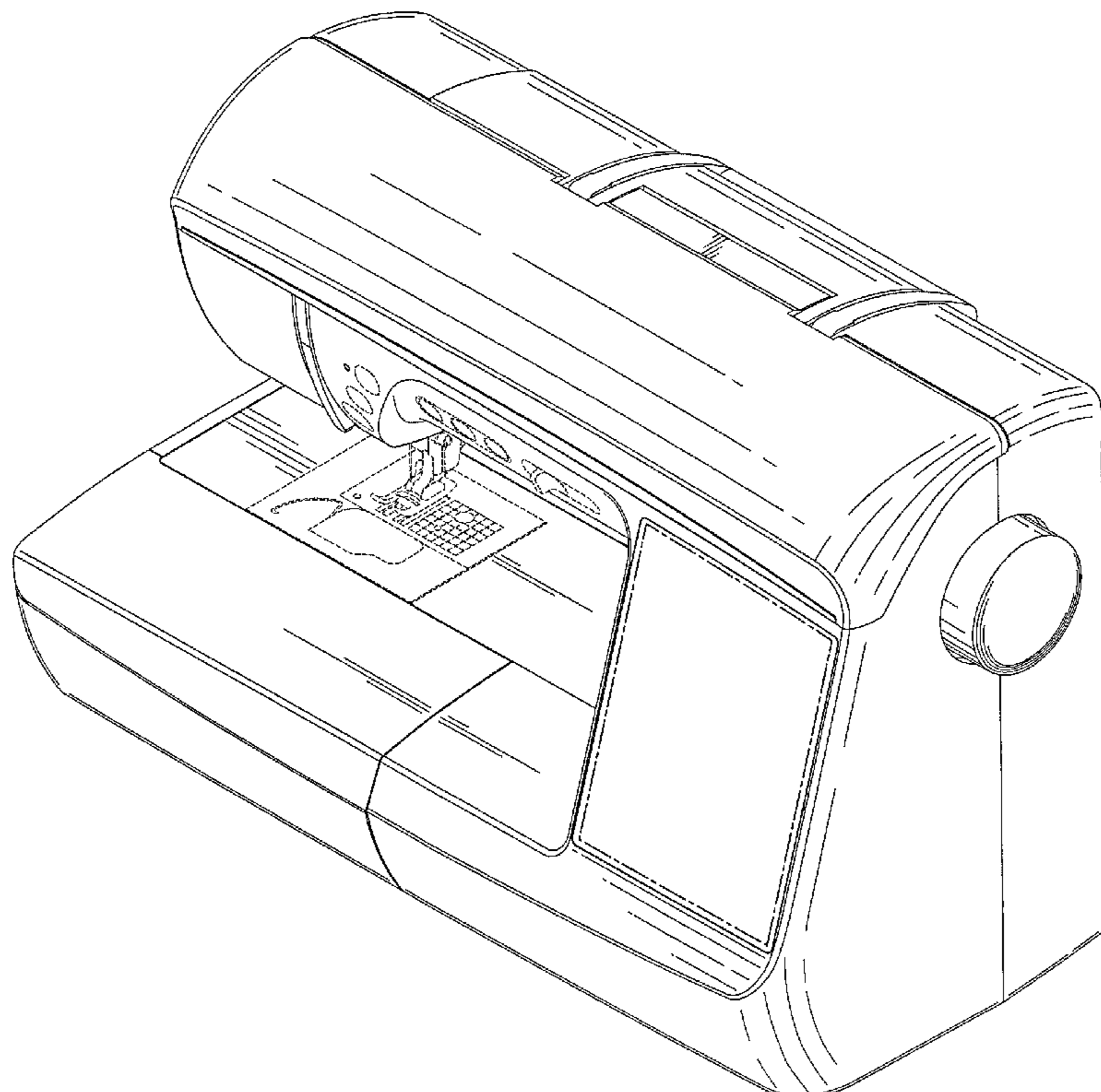
The broken lines depict environmental subject matter only and form no part of the claimed design. The dot chain lines illustrate a boundary between claimed and unclaimed portions and form no part of the claimed design.

1 Claim, 7 Drawing Sheets

(56) **References Cited**

U.S. PATENT DOCUMENTS

- D430,886 S * 9/2000 Yamamoto D15/69
- D450,720 S * 11/2001 Kuroki D15/69
- D578,553 S * 10/2008 Inada D15/69
- D594,481 S * 6/2009 Inada D15/69
- D628,605 S * 12/2010 Mutoh D15/69



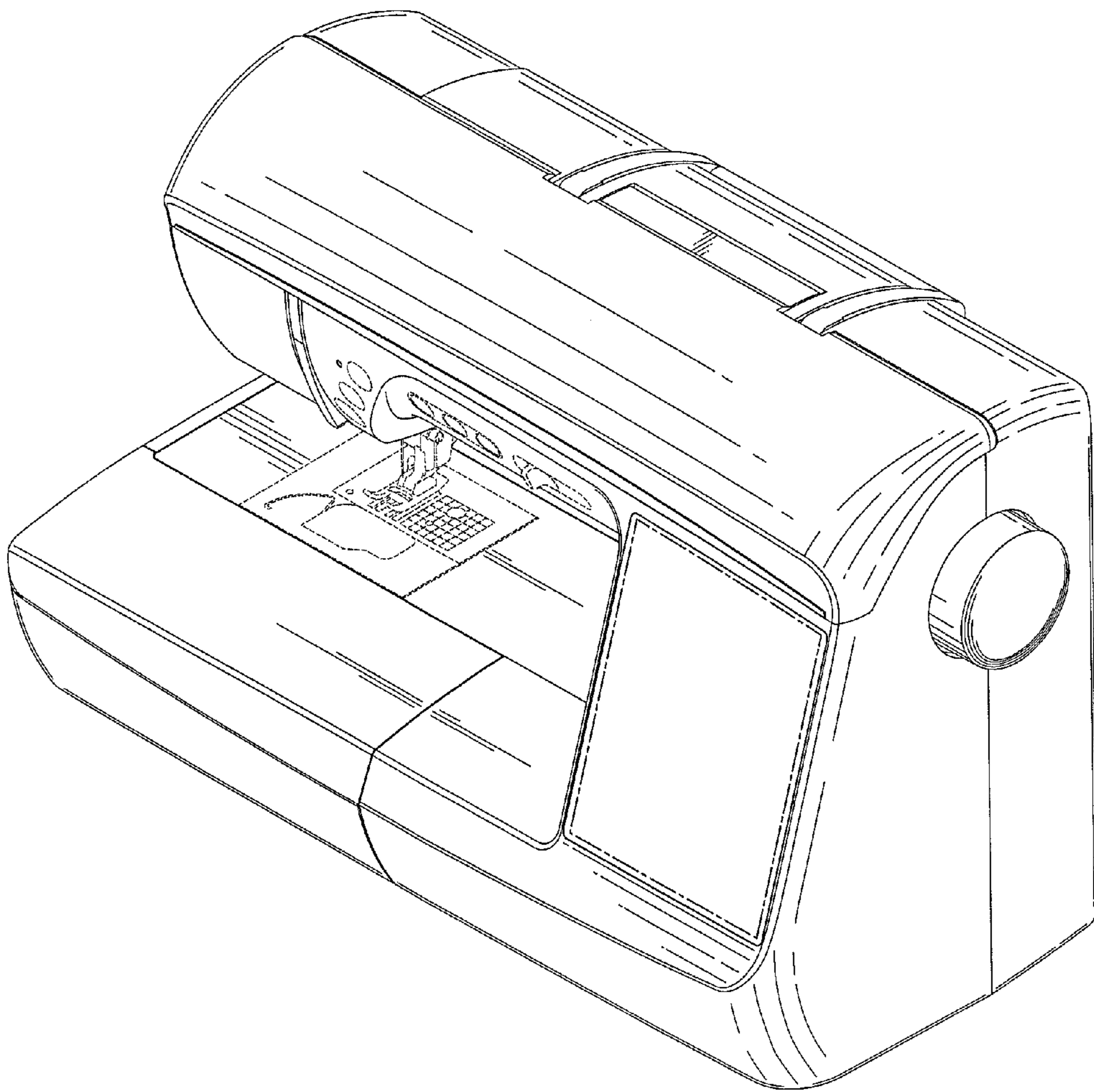


FIG. 1

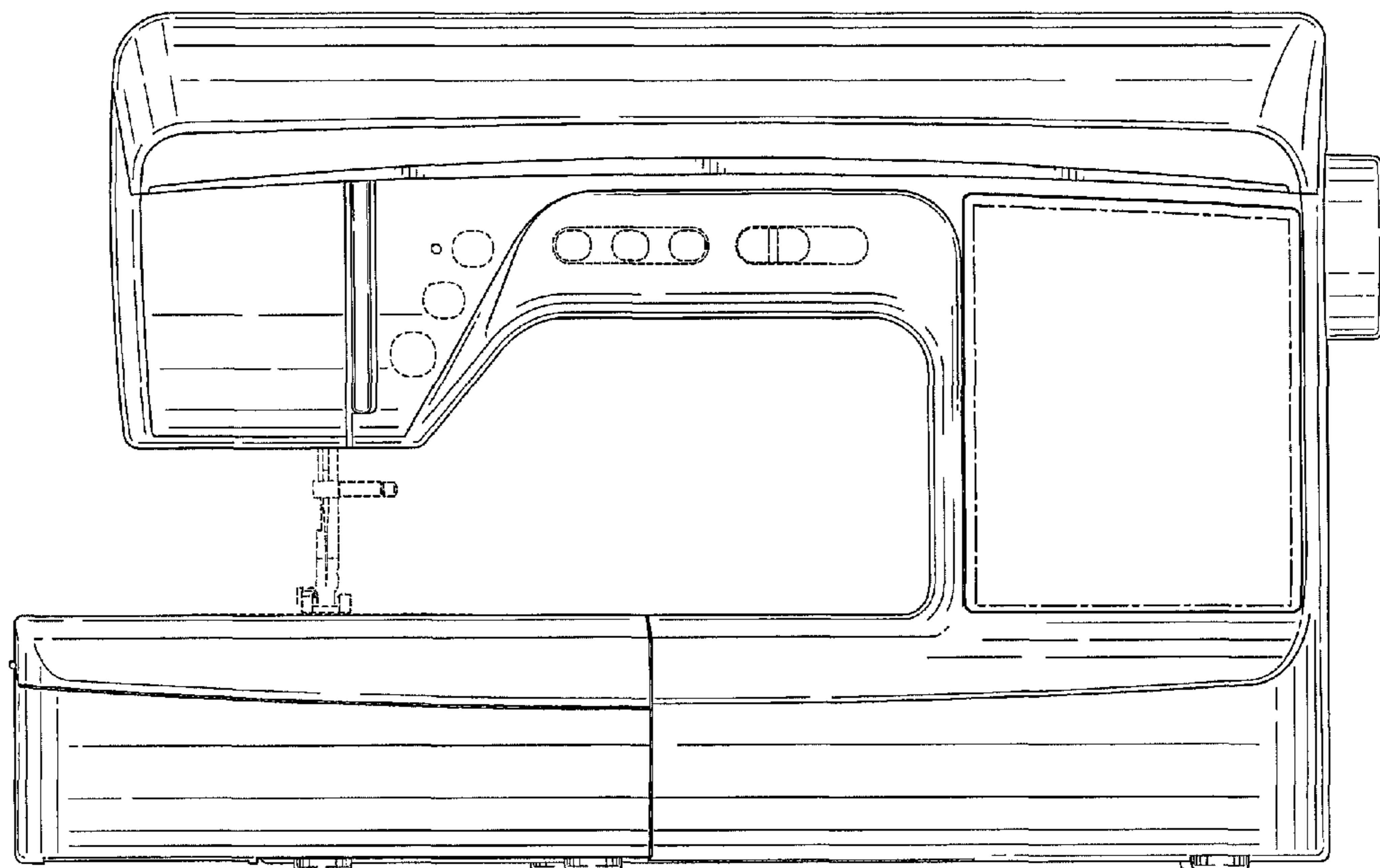


FIG. 2

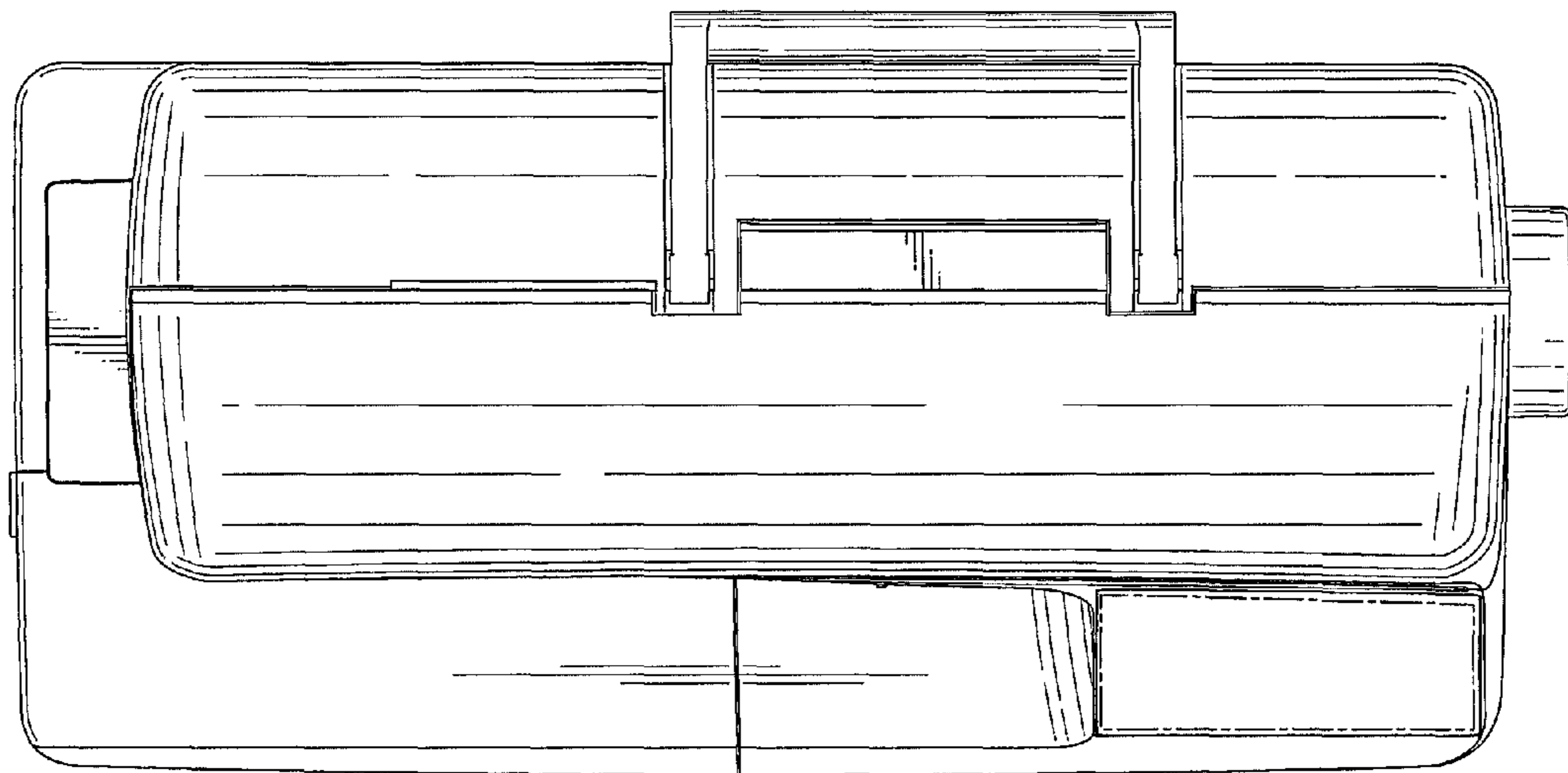


FIG. 3

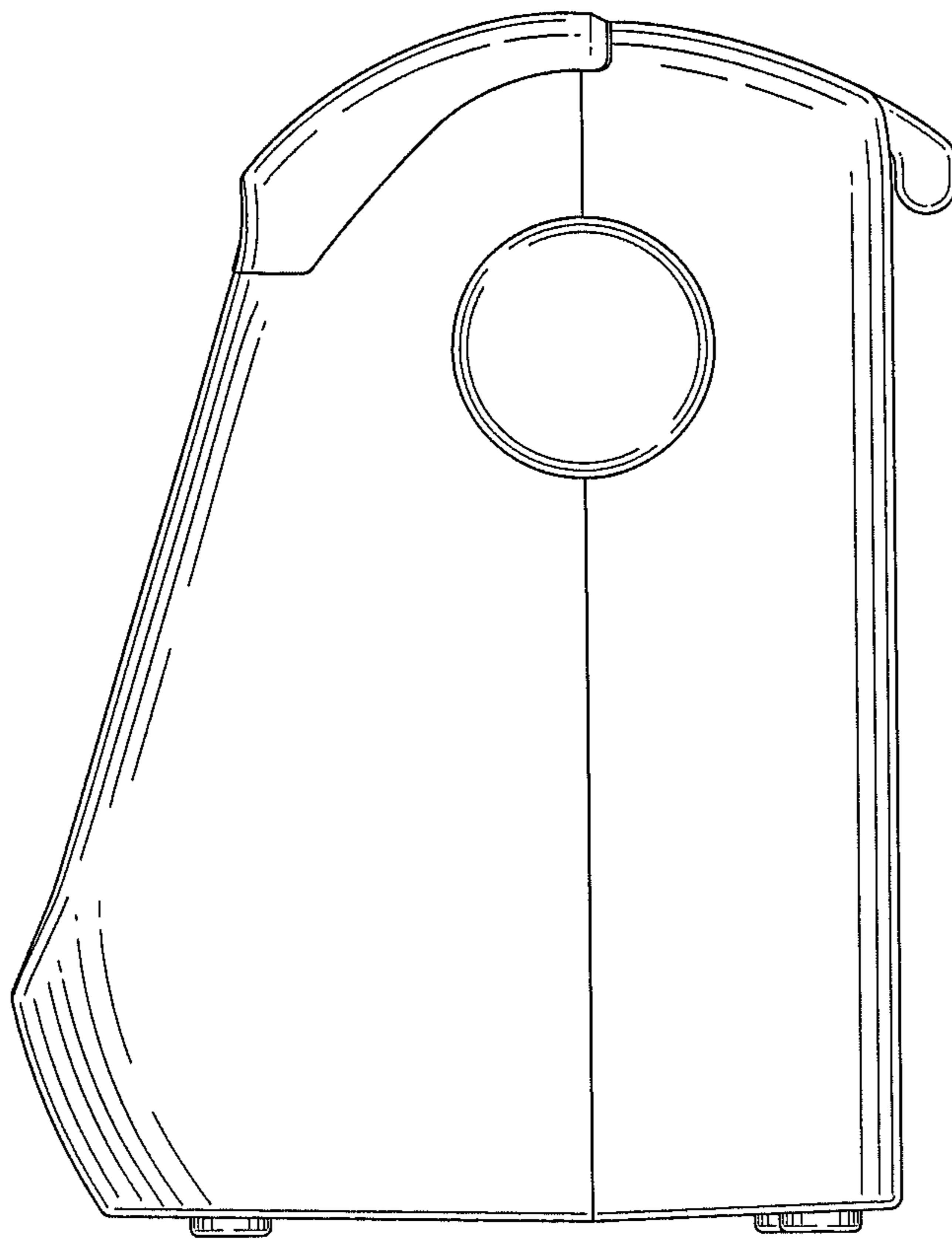


FIG. 4

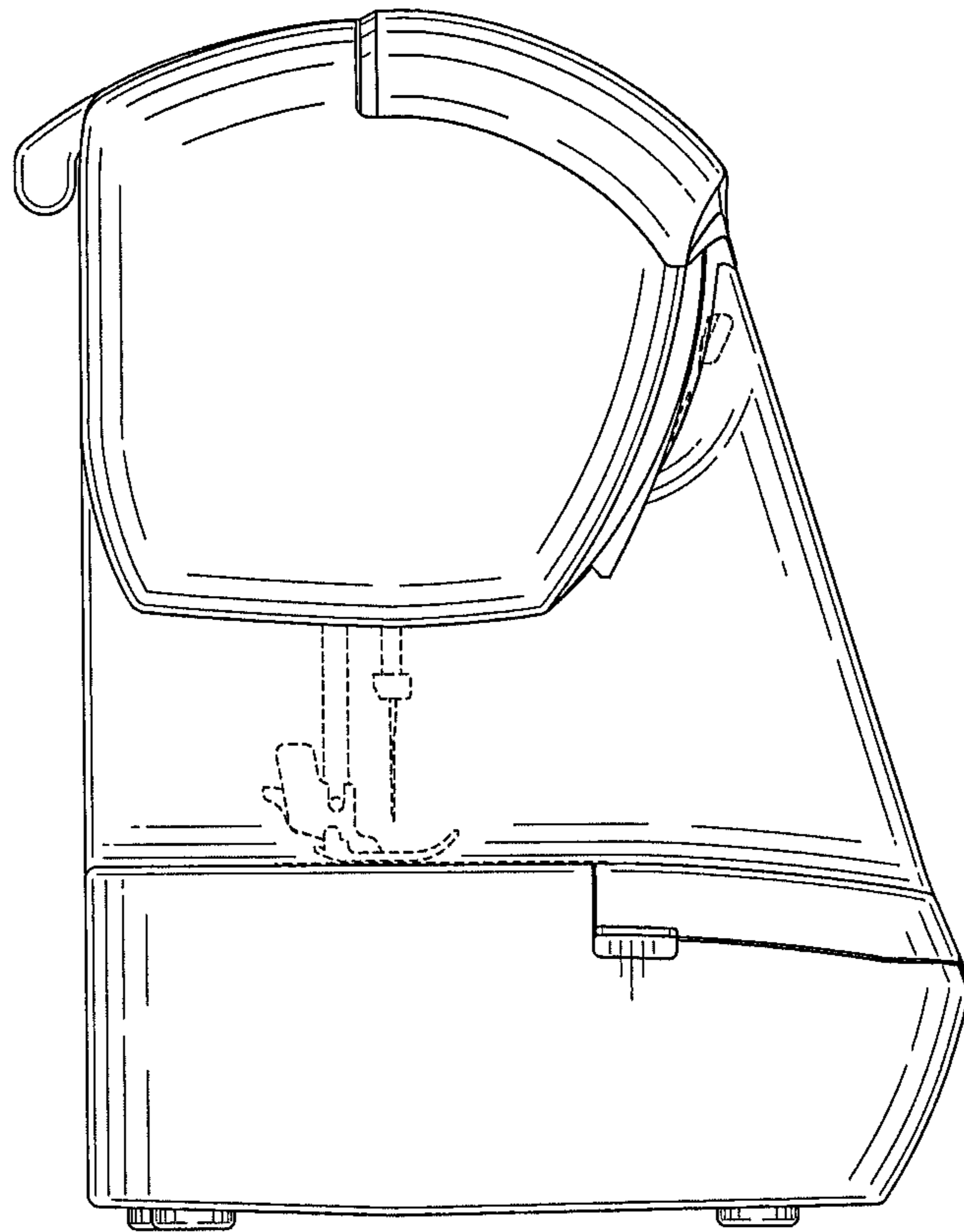


FIG. 5

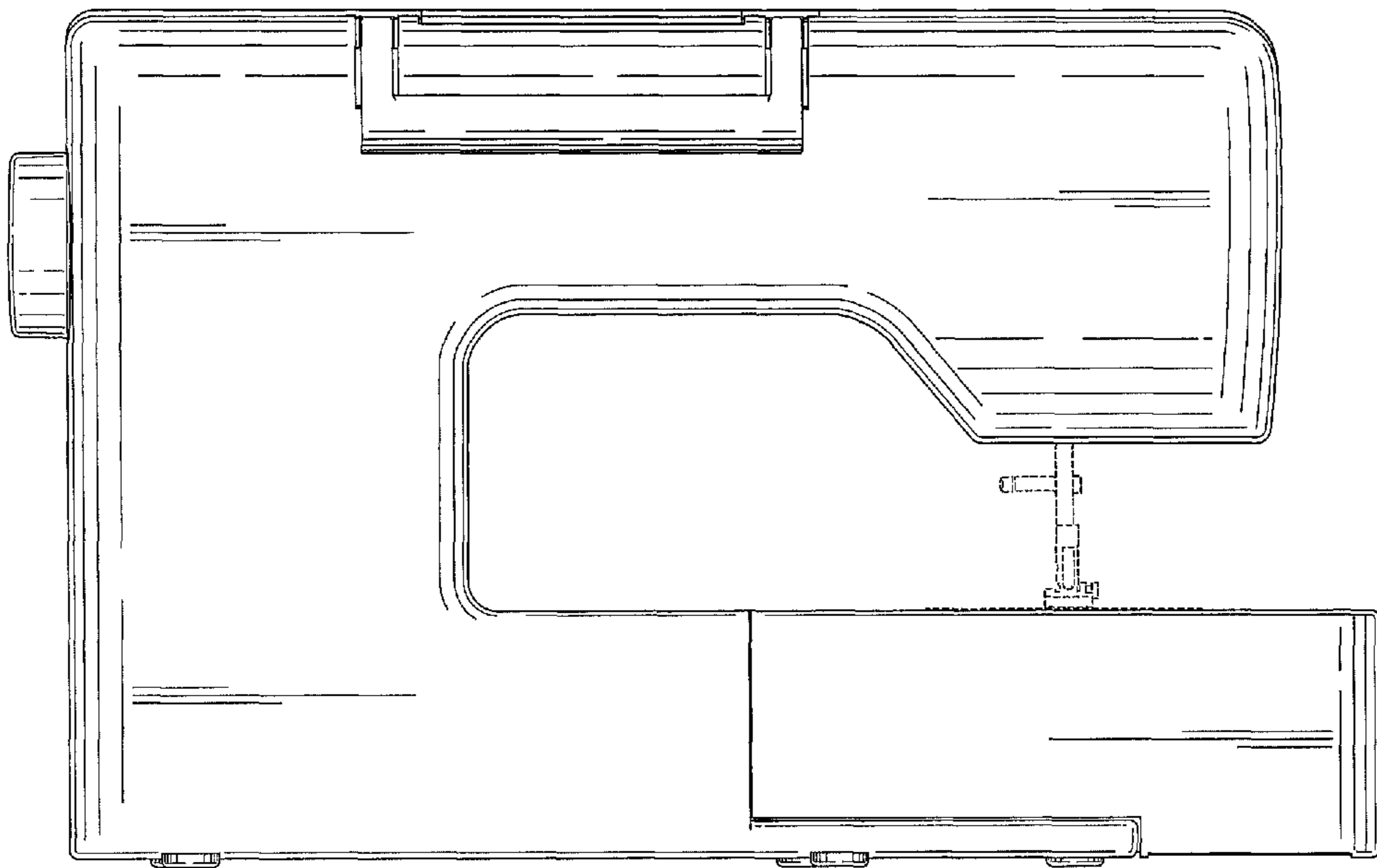


FIG. 6

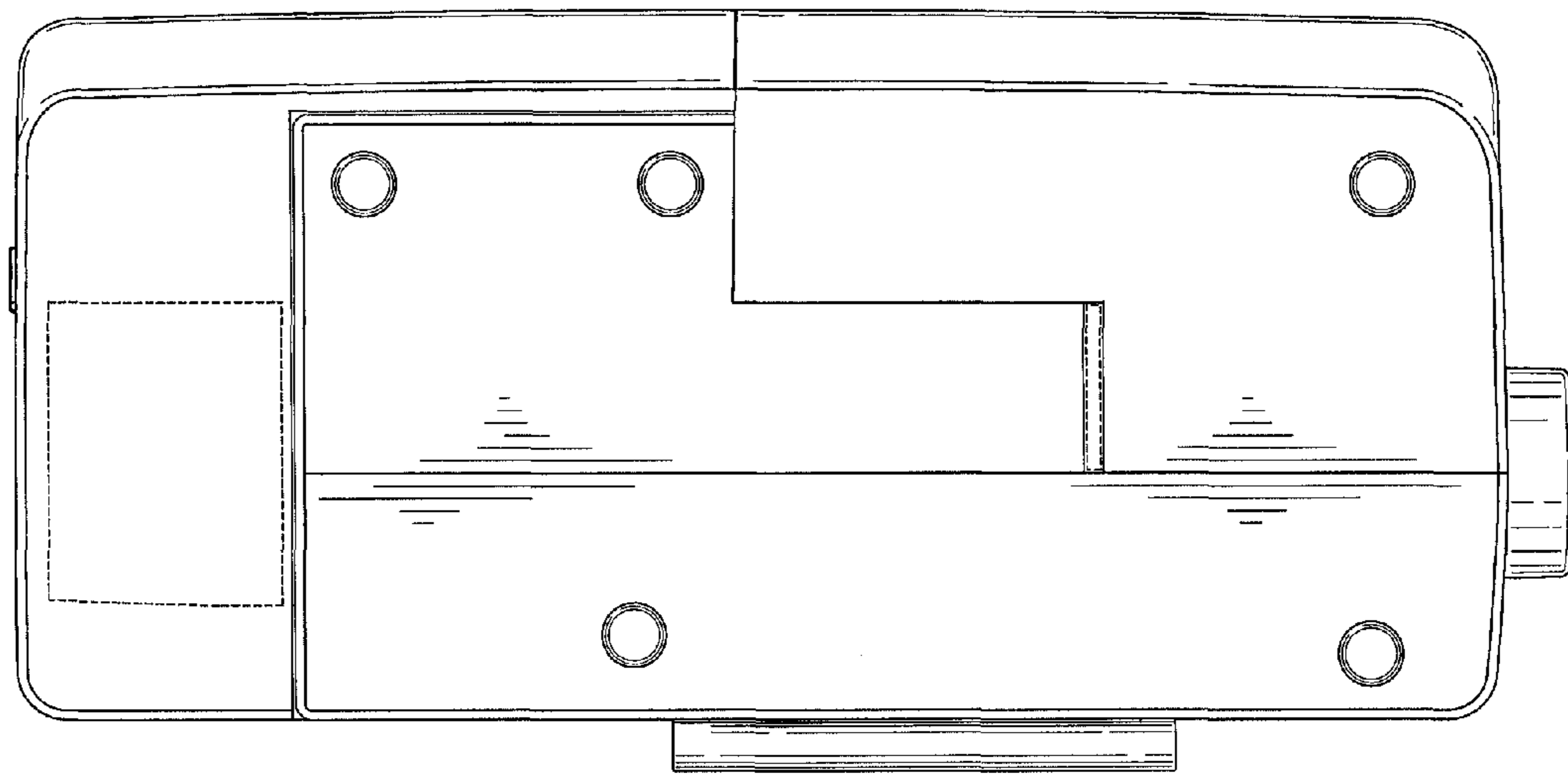


FIG. 7