



US00D724109S

(12) **United States Design Patent**
Haro et al.

(10) **Patent No.:** **US D724,109 S**
(45) **Date of Patent:** **** Mar. 10, 2015**

(54) **PNEUMATIC COMPACTOR FRONT COVER**

(75) Inventors: **Jason A. Haro**, Dayton, MN (US); **Tim J. Lindholm**, Roseville, MN (US); **Michael W. Ries**, Coon Rapids, MN (US)

(73) Assignee: **Caterpillar Paving Products Inc.**, Brooklyn Park, MN (US)

(**) Term: **14 Years**

(21) Appl. No.: **29/408,913**

(22) Filed: **Dec. 19, 2011**

(51) **LOC (10) Cl.** **15-03**

(52) **U.S. Cl.**
USPC **D15/31; D15/20**

(58) **Field of Classification Search**
USPC D15/10, 20, 22-26, 28, 31, 33; 180/20, 180/89.1, 89.12; 404/122, 125, 132, 117, 404/124

See application file for complete search history.

(56) **References Cited**

U.S. PATENT DOCUMENTS

D185,841 S *	8/1959	Schertzer	D15/20
D194,350 S *	1/1963	Peterson	D15/20
D207,532 S *	5/1967	Garis et al.	D15/20
D275,678 S *	9/1984	Mawhorr et al.	D15/20
D396,431 S *	7/1998	Lindgren et al.	D12/14

D500,329 S *	12/2004	Bauve et al.	D15/28
D516,094 S *	2/2006	Dotsch et al.	D15/20
D573,611 S *	7/2008	Geier	D15/20
D589,067 S *	3/2009	Yamamoto	D15/28
D602,506 S *	10/2009	Marsolek et al.	D15/30
D611,505 S *	3/2010	Loew et al.	D15/20
D611,506 S *	3/2010	Loew et al.	D15/20
2006/0034659 A1 *	2/2006	Magee	404/117
2006/0147265 A1 *	7/2006	Fluent et al.	404/117
2006/0147267 A1 *	7/2006	Satzler	404/125
2010/0086353 A1 *	4/2010	Marsolek et al.	404/122

* cited by examiner

Primary Examiner — Mark Goodwin

(74) *Attorney, Agent, or Firm* — Joseph E. Reed

(57) **CLAIM**

The ornamental design for a pneumatic compactor front cover, as shown and described.

DESCRIPTION

FIG. 1 is a front view of a pneumatic compactor front cover showing our new design.

FIG. 2 is a left front view thereof.

FIG. 3 is a left side view thereof.

FIG. 4 is a rear left view thereof; and,

FIG. 5 is a top view thereof.

The broken lines shown are included for the purpose of illustrating environmental structures and form no part of the claimed design.

1 Claim, 5 Drawing Sheets

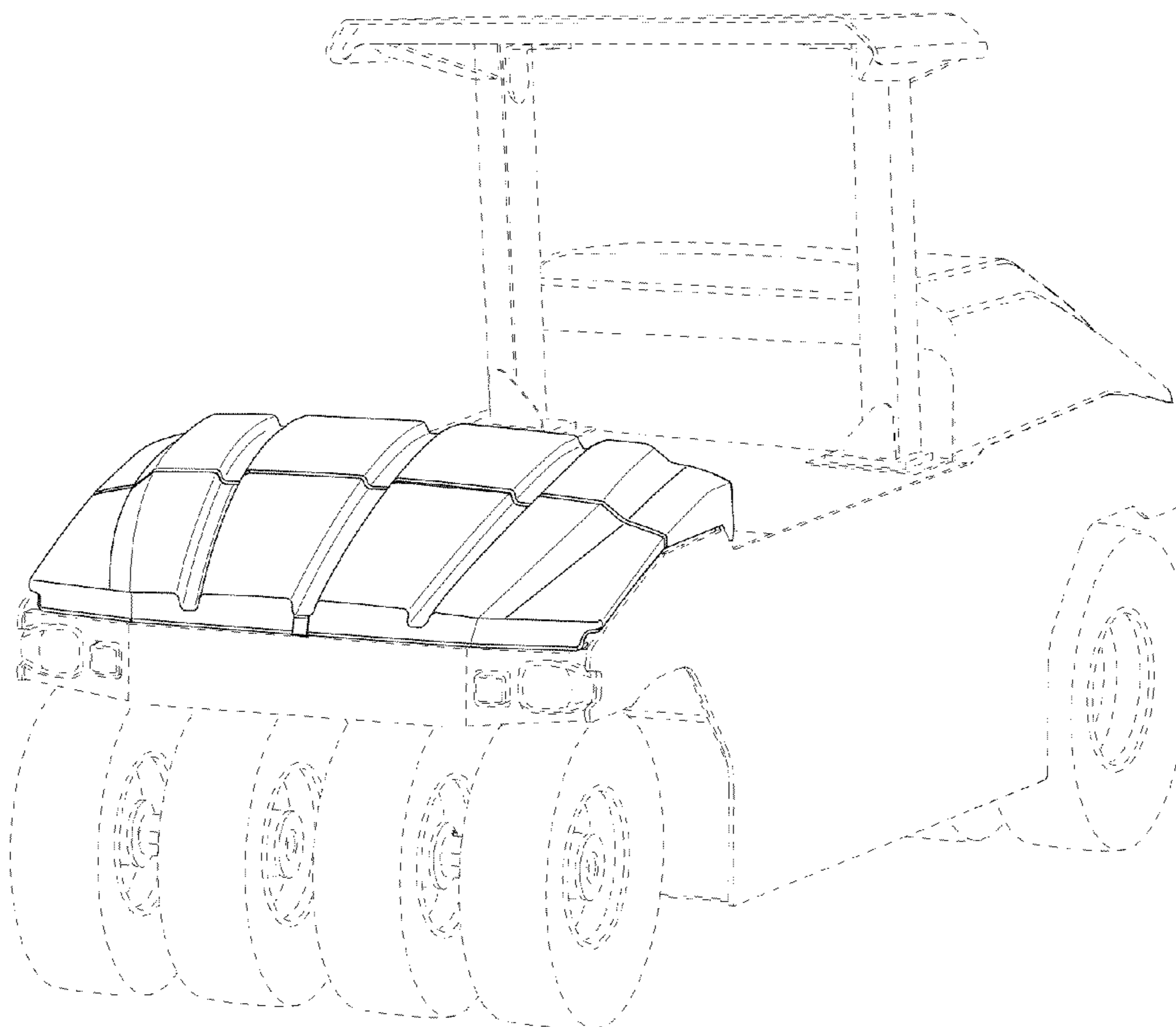


FIG. 1

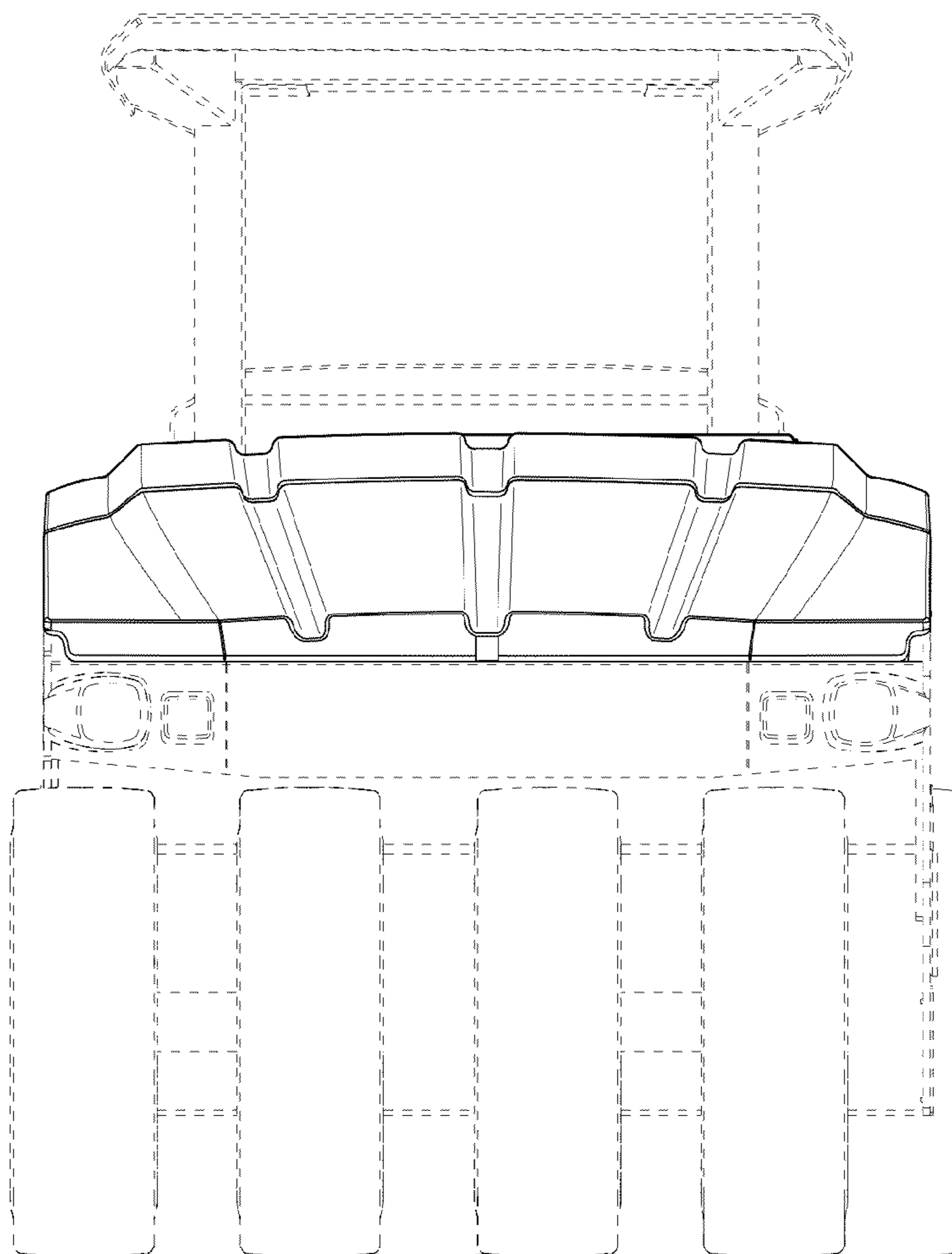
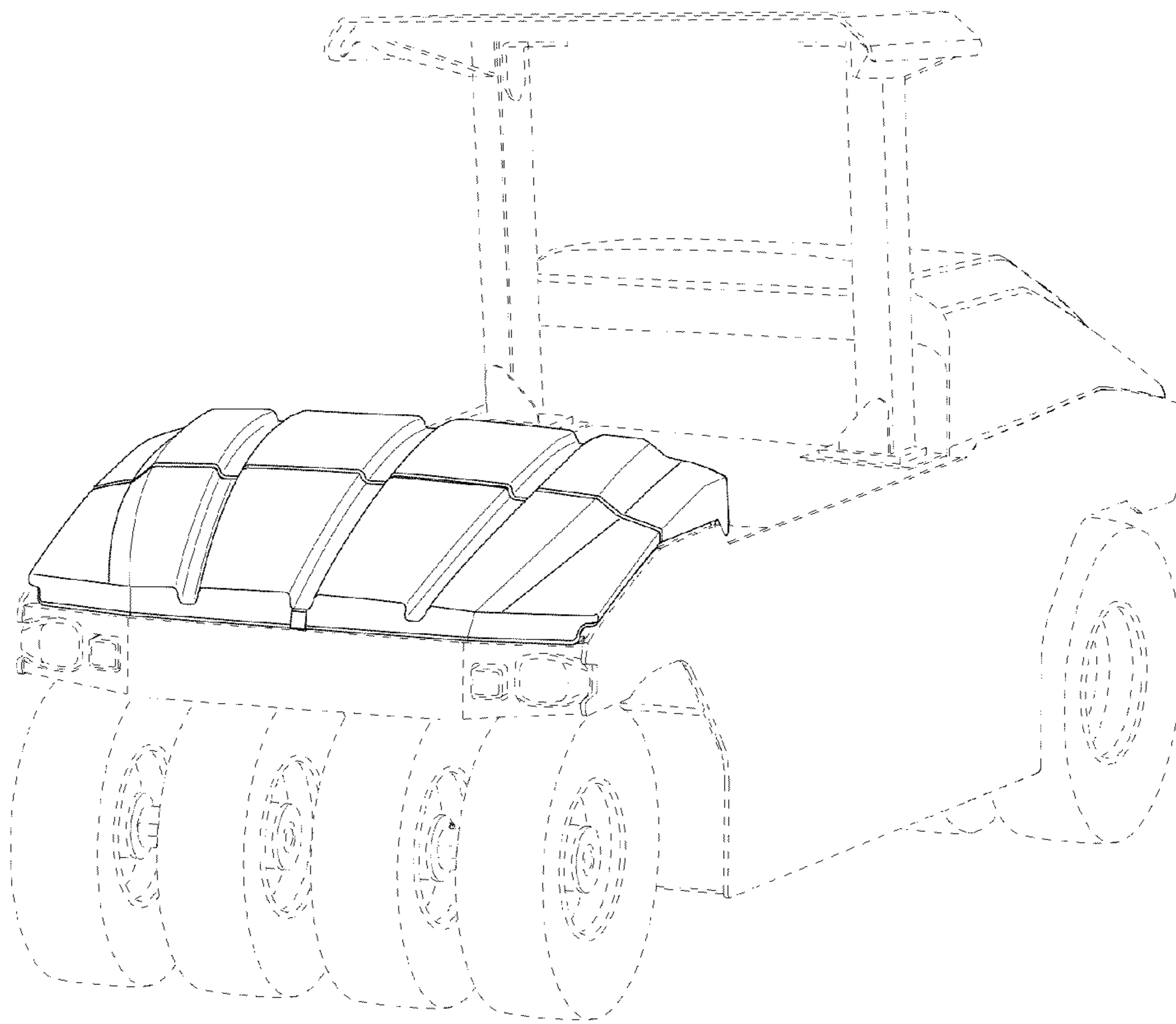


FIG. 2



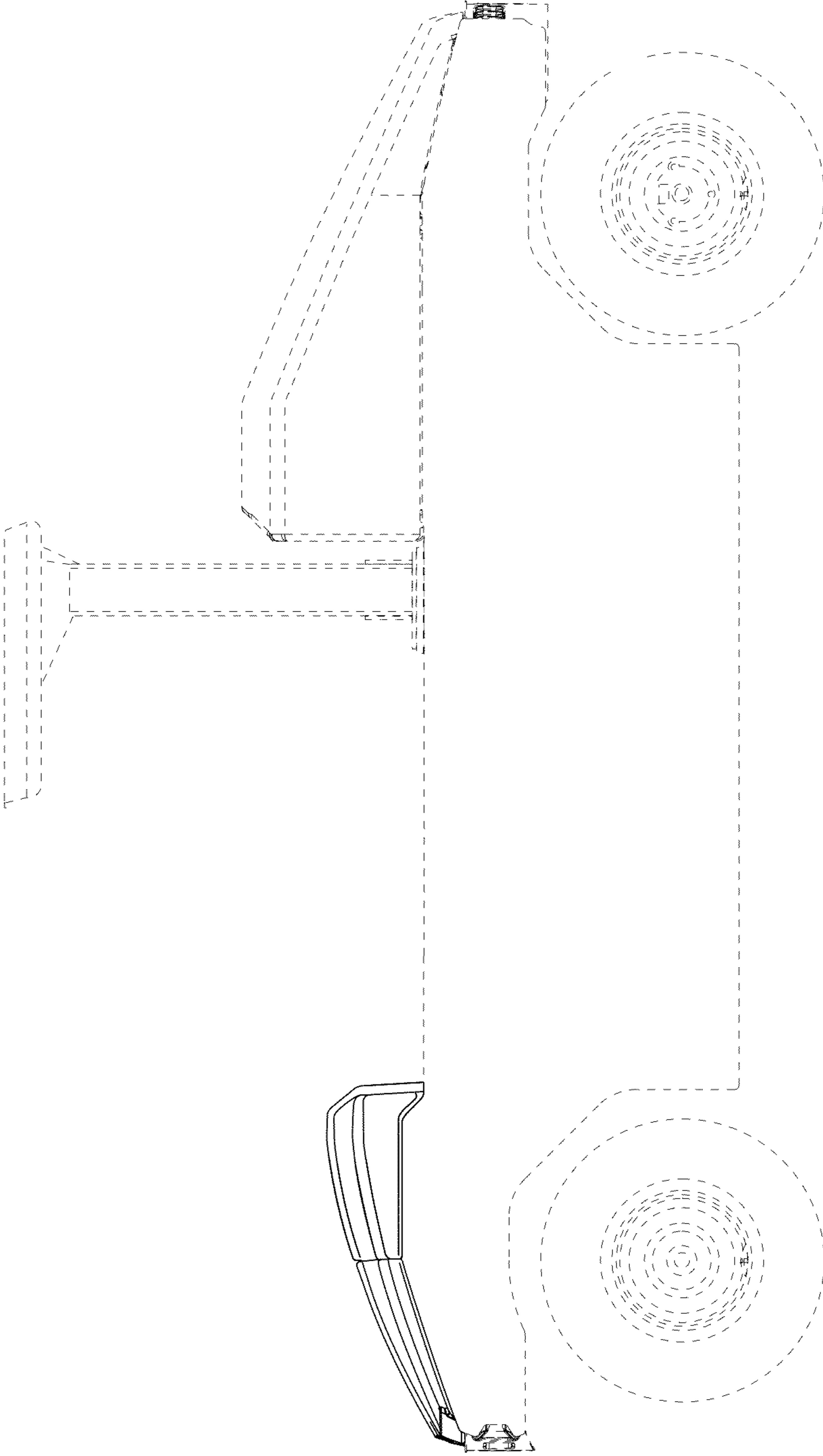


FIG. 3

FIG. 4

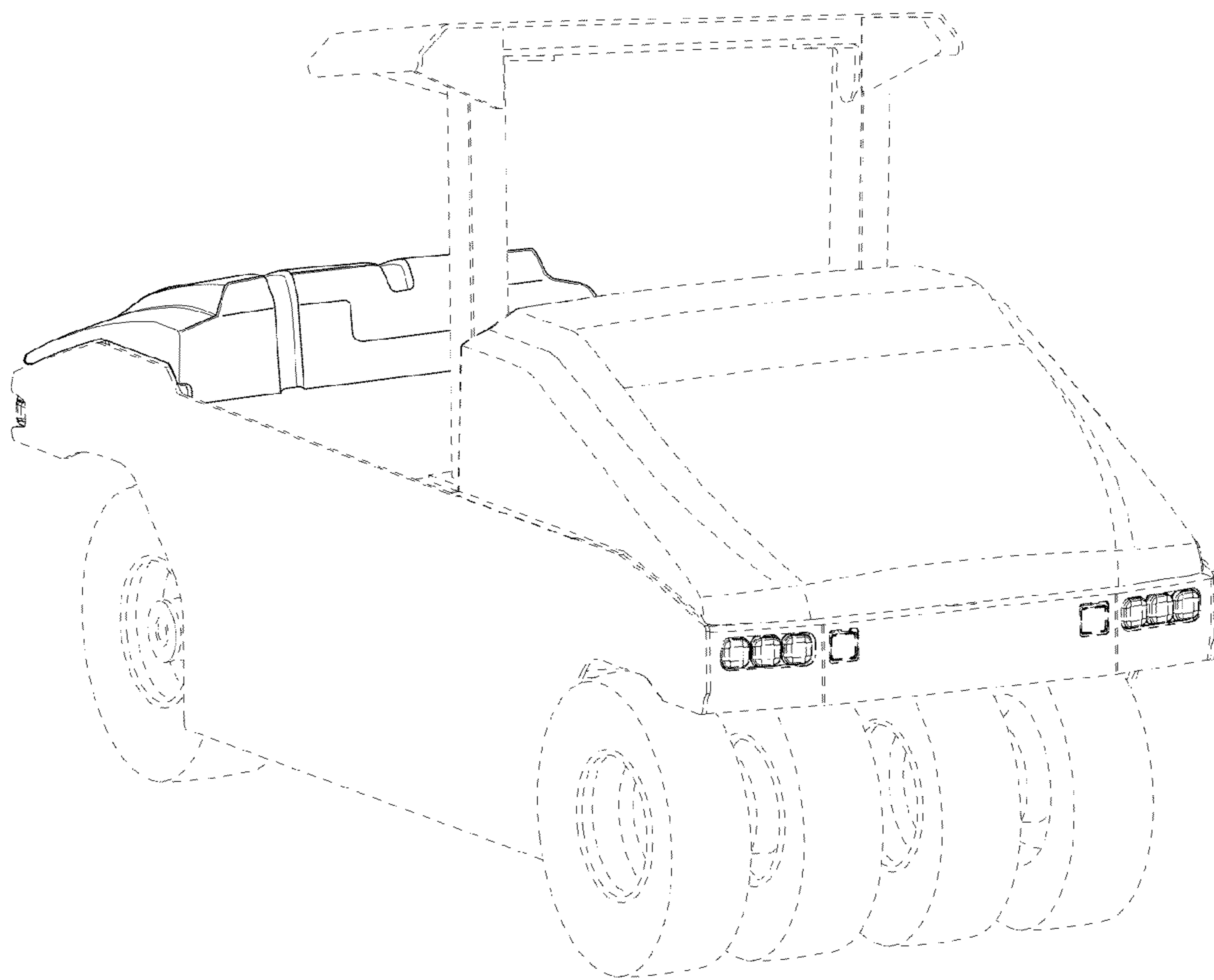


FIG. 5

