



US00D724107S

(12) **United States Design Patent**
Tateishi

(10) **Patent No.:** **US D724,107 S**
(45) **Date of Patent:** **** Mar. 10, 2015**

(54) **RUBBER CRAWLER**

(71) Applicant: **Bridgestone Corporation**, Chuo-ku,
Tokyo (JP)

(72) Inventor: **Kenji Tateishi**, Chuo-ku (JP)

(73) Assignee: **Bridgestone Corporation**, Tokyo (JP)

(**) Term: **14 Years**

(21) Appl. No.: **29/499,391**

(22) Filed: **Aug. 14, 2014**

(30) **Foreign Application Priority Data**

Feb. 18, 2014 (JP) 2014-003262

(51) **LOC (10) Cl.** **15-03**

(52) **U.S. Cl.**
USPC **D15/28**

(58) **Field of Classification Search**
USPC D15/22-26, 28; D21/491, 495, 537,
D21/431, 484; 152/108, 62, 88; 305/35, 44,
305/160, 185, 53, 201, 46, 50, 196, 198,
305/200, 39, 162, 187, 191, 189
See application file for complete search history.

(56) **References Cited**

U.S. PATENT DOCUMENTS

D455,444	S	*	4/2002	Tsuru	D15/28
6,422,666	B2	*	7/2002	Choi	305/178
D484,515	S	*	12/2003	Nishimura	D15/28
D496,051	S	*	9/2004	Yoshida	D15/28
D514,133	S	*	1/2006	Fujita	D15/28
7,077,485	B2	*	7/2006	Akiyama et al.	305/178
7,185,958	B2	*	3/2007	Ueno	305/167
7,300,119	B2	*	11/2007	Ueno	305/165
D557,713	S	*	12/2007	Sugihara	D15/28
D562,353	S	*	2/2008	Sugihara	D15/28
D565,605	S	*	4/2008	Tateishi	D15/28
D567,823	S	*	4/2008	Hagio	D15/28
D588,169	S	*	3/2009	Hagio	D15/28
D588,170	S	*	3/2009	Kumano	D15/28
D602,962	S	*	10/2009	Miyamoto et al.	D15/28

D604,337	S	*	11/2009	Furusawa	D15/28
7,695,077	B2	*	4/2010	Fujita	305/178
D615,105	S	*	5/2010	Abiko	D15/28
D615,106	S	*	5/2010	Shimozono	D15/28
D618,254	S	*	6/2010	Shimozono	D15/28
D626,973	S	*	11/2010	Shimozono	D15/28
D669,503	S	*	10/2012	Nomizo	D15/28
8,297,718	B2	*	10/2012	Pringiers	305/112
D672,792	S	*	12/2012	Nomizo	D15/28
D694,283	S	*	11/2013	Shimozono et al.	D15/28
2004/0066090	A1	*	4/2004	Akiyama et al.	305/165
2009/0256280	A1	*	10/2009	Hirose et al.	264/275
2009/0309415	A1	*	12/2009	Shimozono	305/177
2010/0033010	A1	*	2/2010	Shimozono	305/169
2011/0169324	A1	*	7/2011	Ijiri	305/142
2012/0032502	A1	*	2/2012	Shimozono	305/169
2012/0139334	A1	*	6/2012	Pringiers	305/112
2012/0146401	A1	*	6/2012	Shimozono	305/169

* cited by examiner

Primary Examiner — Mark Goodwin

(74) *Attorney, Agent, or Firm* — Sughrue Mion, PLLC

(57) **CLAIM**

The ornamental design for a rubber crawler, as shown and described.

DESCRIPTION

FIG. 1 is a front view of rubber crawler showing my design; FIG. 2 is a top view thereof; FIG. 3 is a right side view thereof; FIG. 4 is a left side view thereof; FIG. 5 is a rear view thereof; FIG. 6 is a bottom view thereof; FIG. 7 is a section view taken along line 7-7 in FIG. 1; and, FIG. 8 is a front central longitudinal sectional view taken along line 8-8 in FIG. 1.

The broken lines are used to show portions of the rubber crawler that are not being claimed, and thus form no part of the claimed design.

The design illustrated in the drawings is a portion of a rubber crawler. The design can be continued in a direction above and below in the front view (FIG. 1).

1 Claim, 8 Drawing Sheets

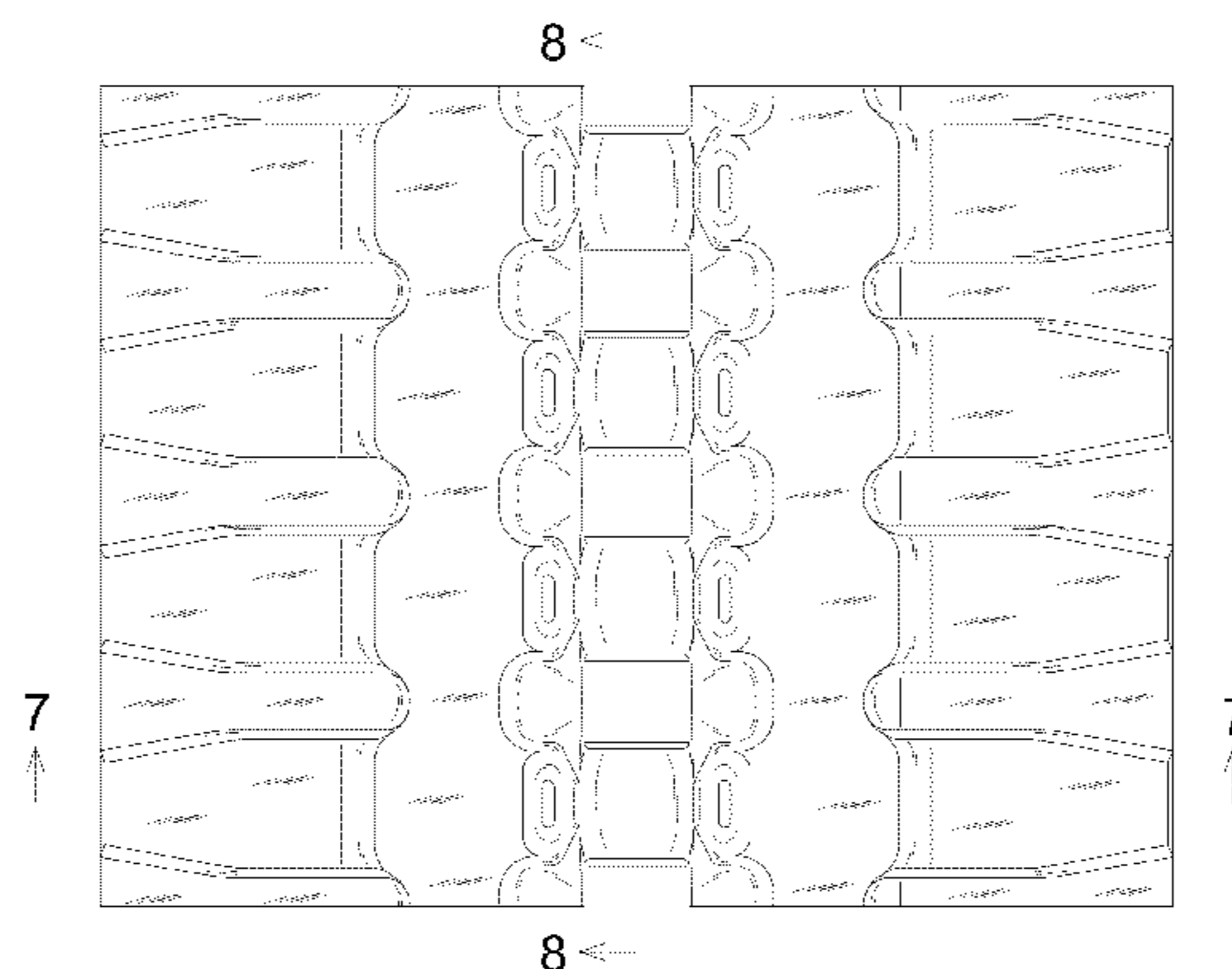


FIG. 1

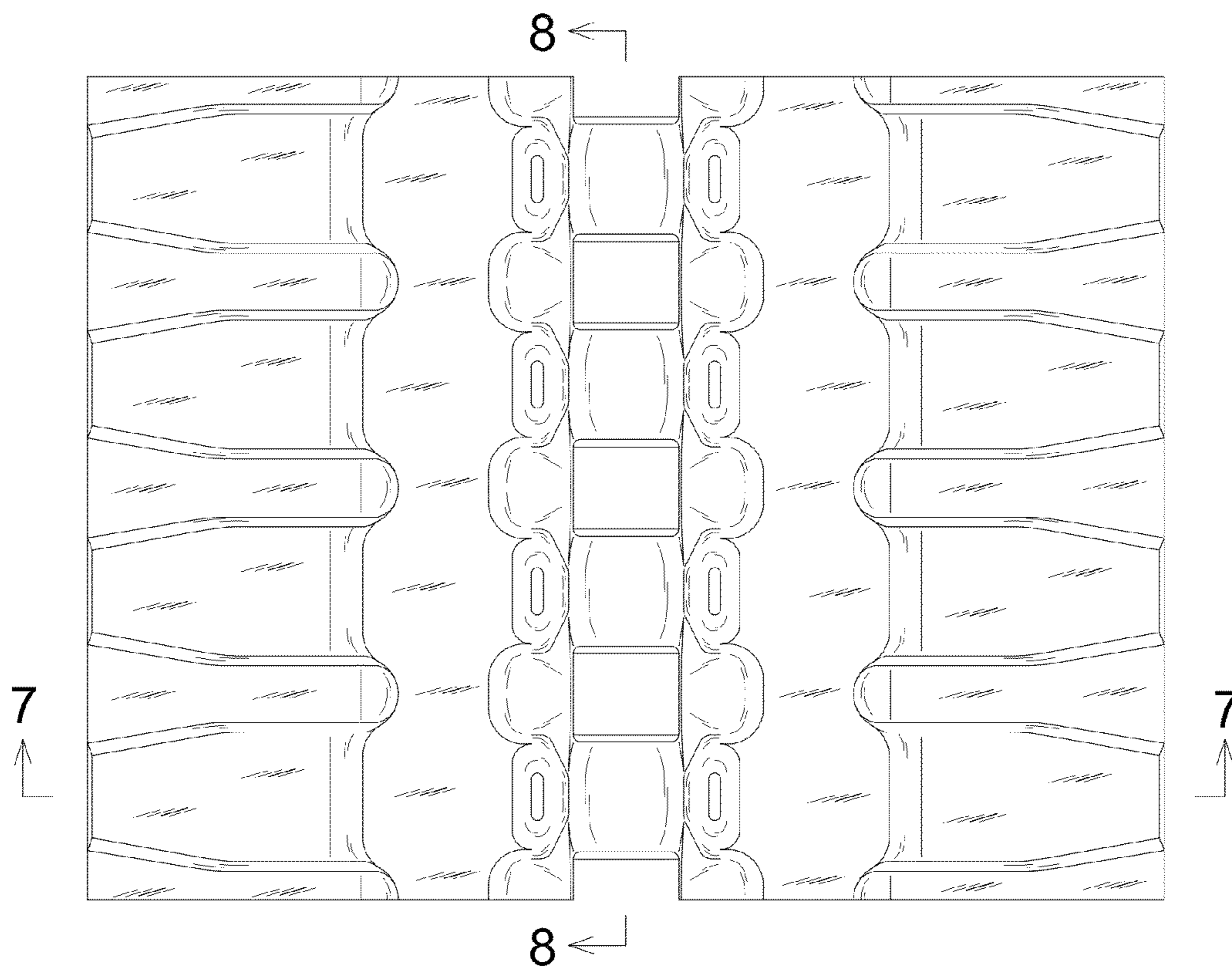


FIG. 2

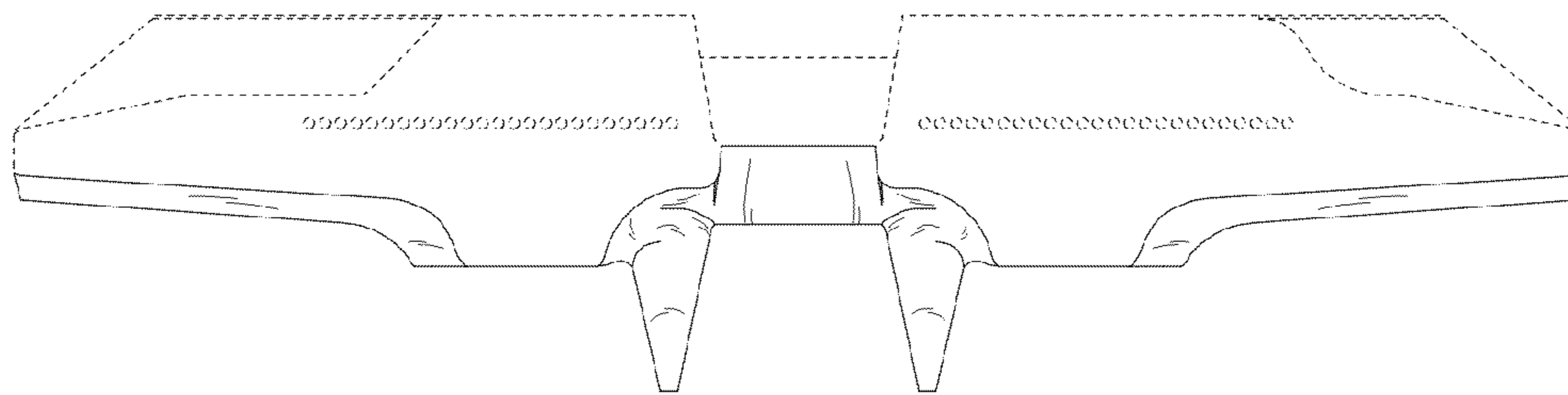


FIG. 3

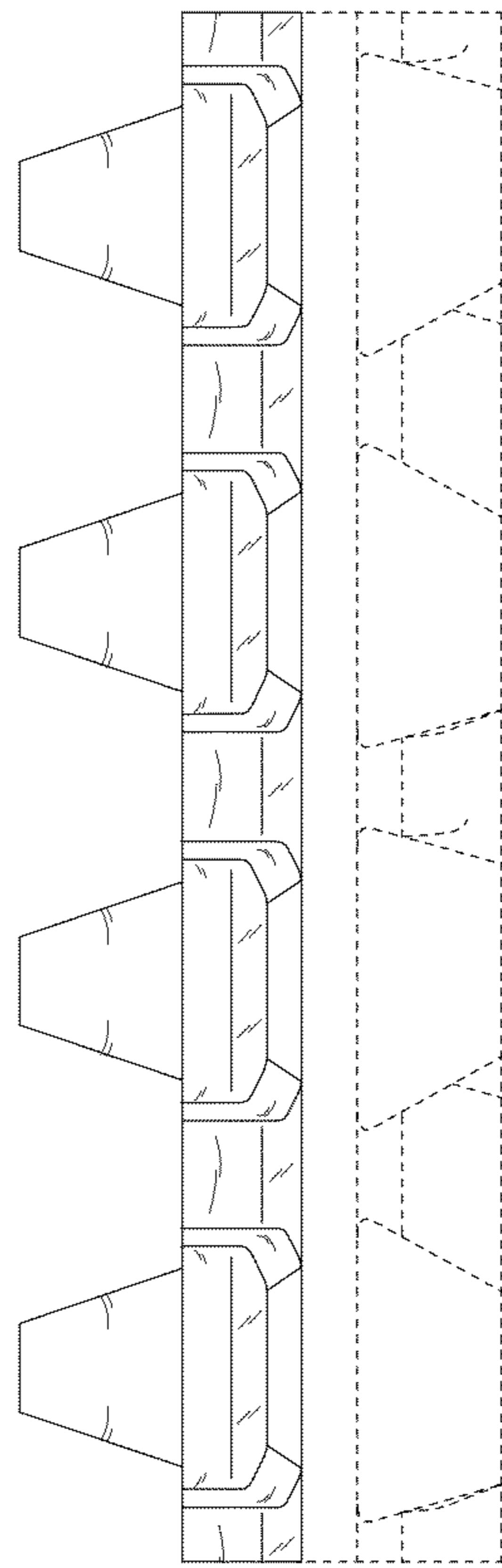


FIG. 4

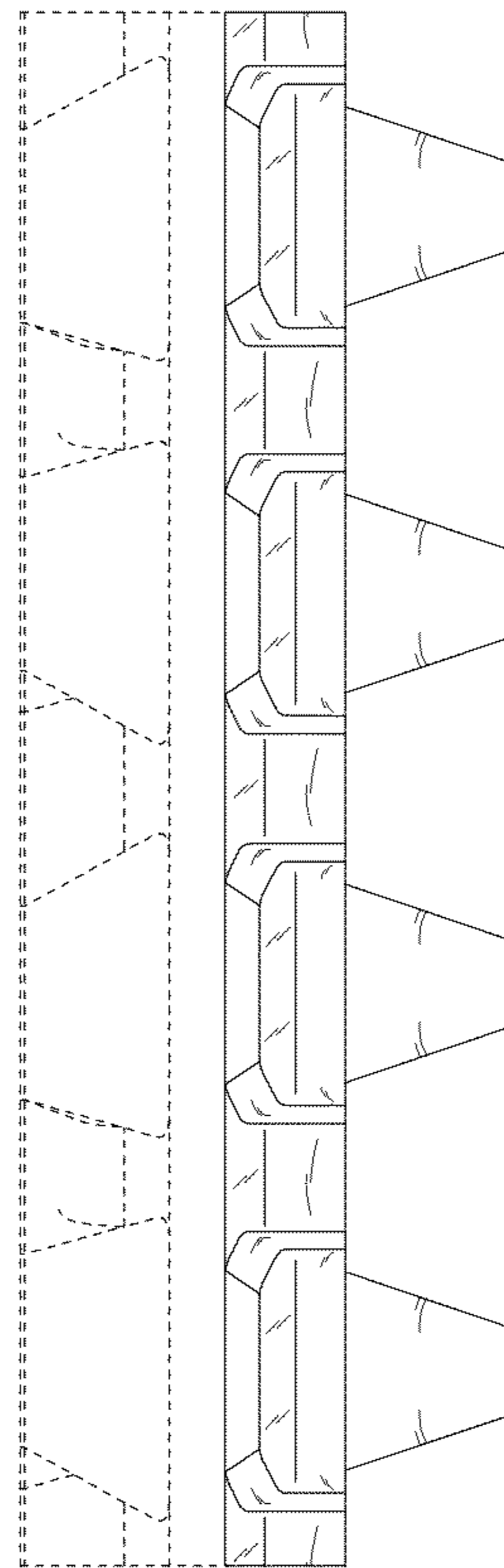


FIG. 5

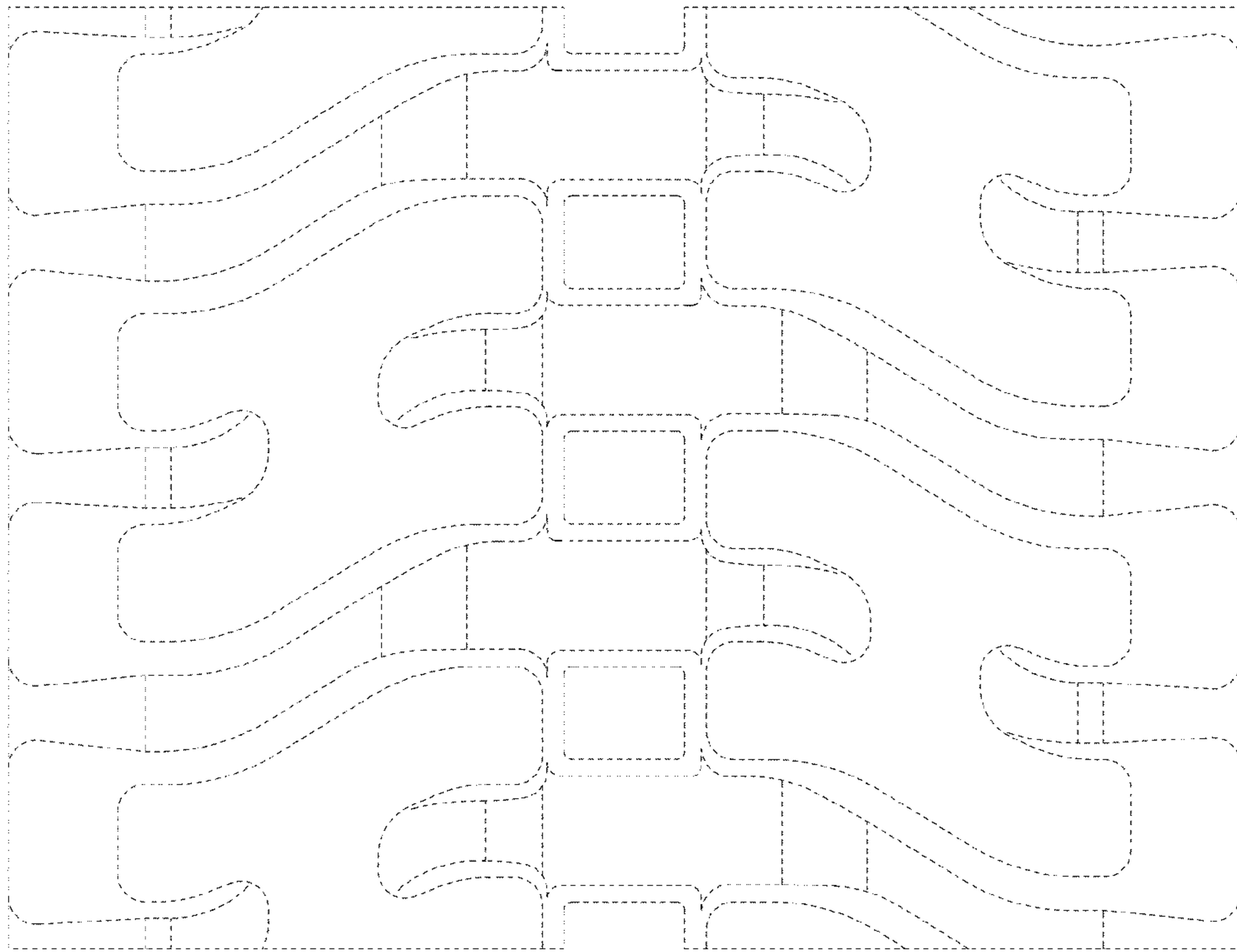


FIG. 6

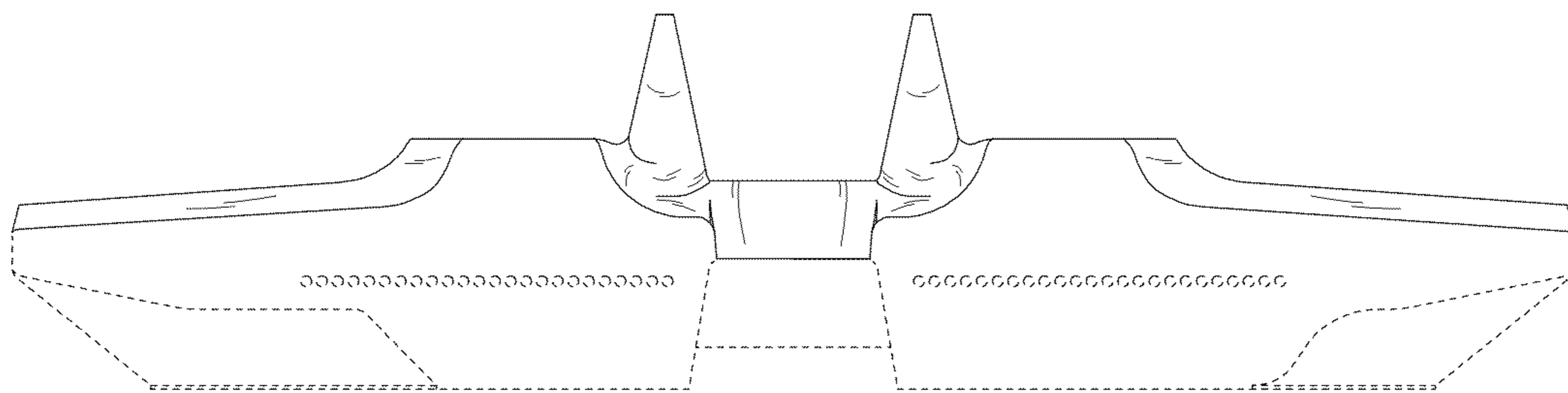


FIG. 7

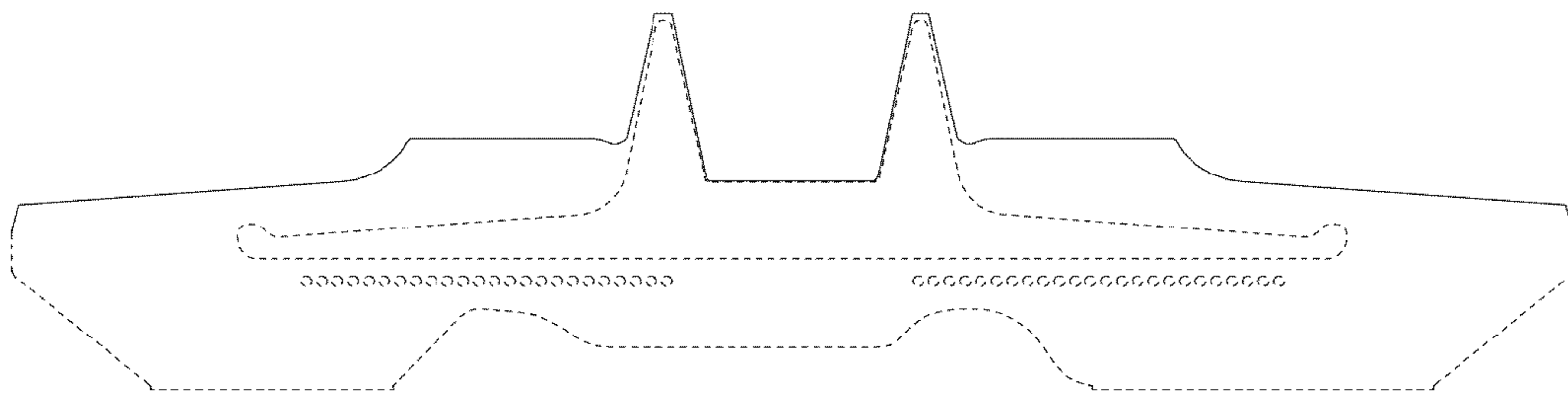


FIG. 8

