



US00D724106S

(12) **United States Design Patent**
Gallagher et al.

(10) **Patent No.:** **US D724,106 S**

(45) **Date of Patent:** **** Mar. 10, 2015**

(54) **COUNTERWEIGHT FOR A LIFT TRUCK**

(56) **References Cited**

(71) Applicant: **Crown Equipment Corporation**, New Bremen, OH (US)

U.S. PATENT DOCUMENTS

(72) Inventors: **Michael P. Gallagher**, Greenville, OH (US); **Roger J. Quinlan, Jr.**, Troy, OH (US); **Jeffrey T. DeBord**, Worthington, OH (US); **Thomas P. Nichols**, Columbus, OH (US); **Lindsey P. Unrast**, Coldwater, OH (US)

D559,279	S	*	1/2008	Sakitani et al.	D15/28
D579,465	S	*	10/2008	Ochi et al.	D15/28
D582,947	S	*	12/2008	Ueta et al.	D15/28
D587,285	S	*	2/2009	Murakami et al.	D15/28
D678,358	S	*	3/2013	Hiraoka et al.	D15/28
D678,359	S	*	3/2013	Hagura et al.	D15/28
D680,136	S	*	4/2013	Tsukamoto et al.	D15/28

* cited by examiner

(73) Assignee: **Crown Equipment Corporation**, New Bremen, OH (US)

Primary Examiner — Mark Goodwin

(74) *Attorney, Agent, or Firm* — Stevens & Showalter, LLP

(**) Term: **14 Years**

(57) **CLAIM**

The ornamental design for a counterweight for a lift truck, as shown and described.

(21) Appl. No.: **29/488,399**

DESCRIPTION

(22) Filed: **Apr. 18, 2014**

(51) **LOC (10) Cl.** **15-03**

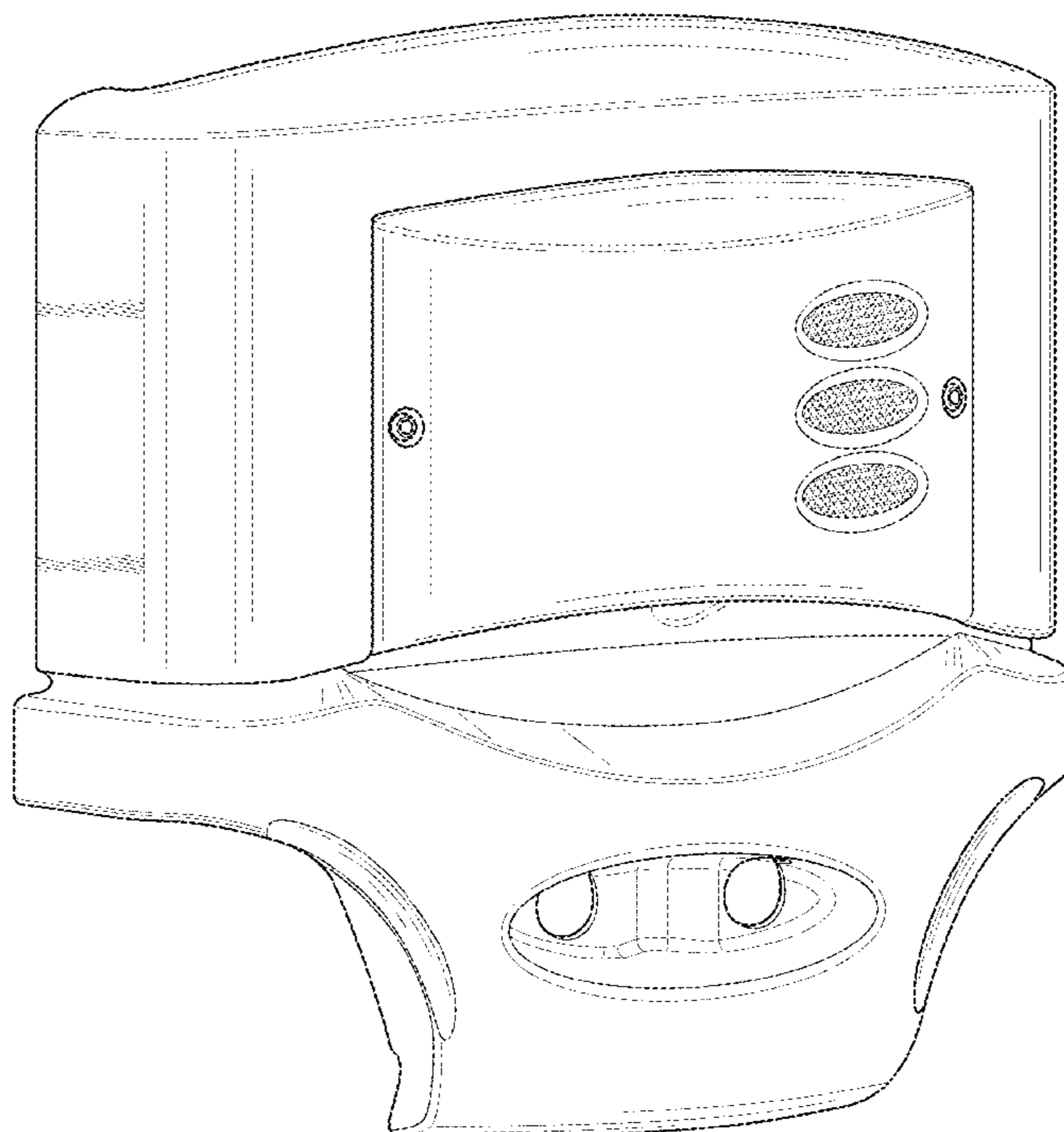
(52) **U.S. Cl.**
USPC **D15/28**

(58) **Field of Classification Search**
USPC D15/10, 22-29, 30, 33, 31; 296/193.03, 296/193.08; 172/611, 776; 180/69.24, 89.1, 180/89.12, 89.13, 900, 326; 37/443, 379; 414/601, 602, 685, 687, 688, 694, 414/722-724, 699, 680, 698, 719, 743

FIG. 1 is a perspective view of the counterweight for a lift truck showing our new design;
FIG. 2 is a rear elevational view thereof;
FIG. 3 is a right elevational view thereof;
FIG. 4 is a left elevational view thereof;
FIG. 5 is a top view thereof; and,
FIG. 6 is a bottom view thereof.
The broken line disclosure forms no part of the claimed design.

See application file for complete search history.

1 Claim, 4 Drawing Sheets



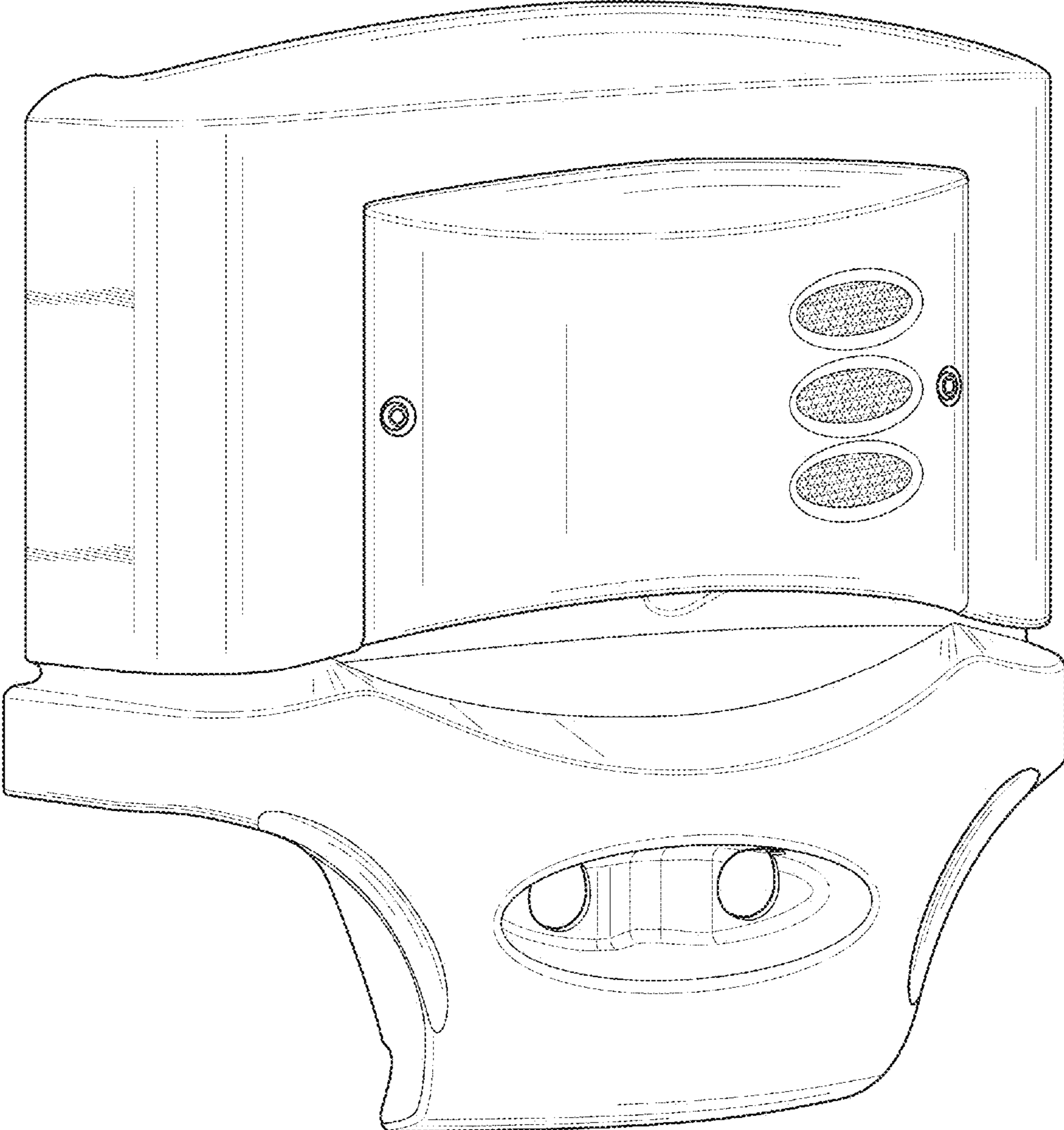


FIG. 1

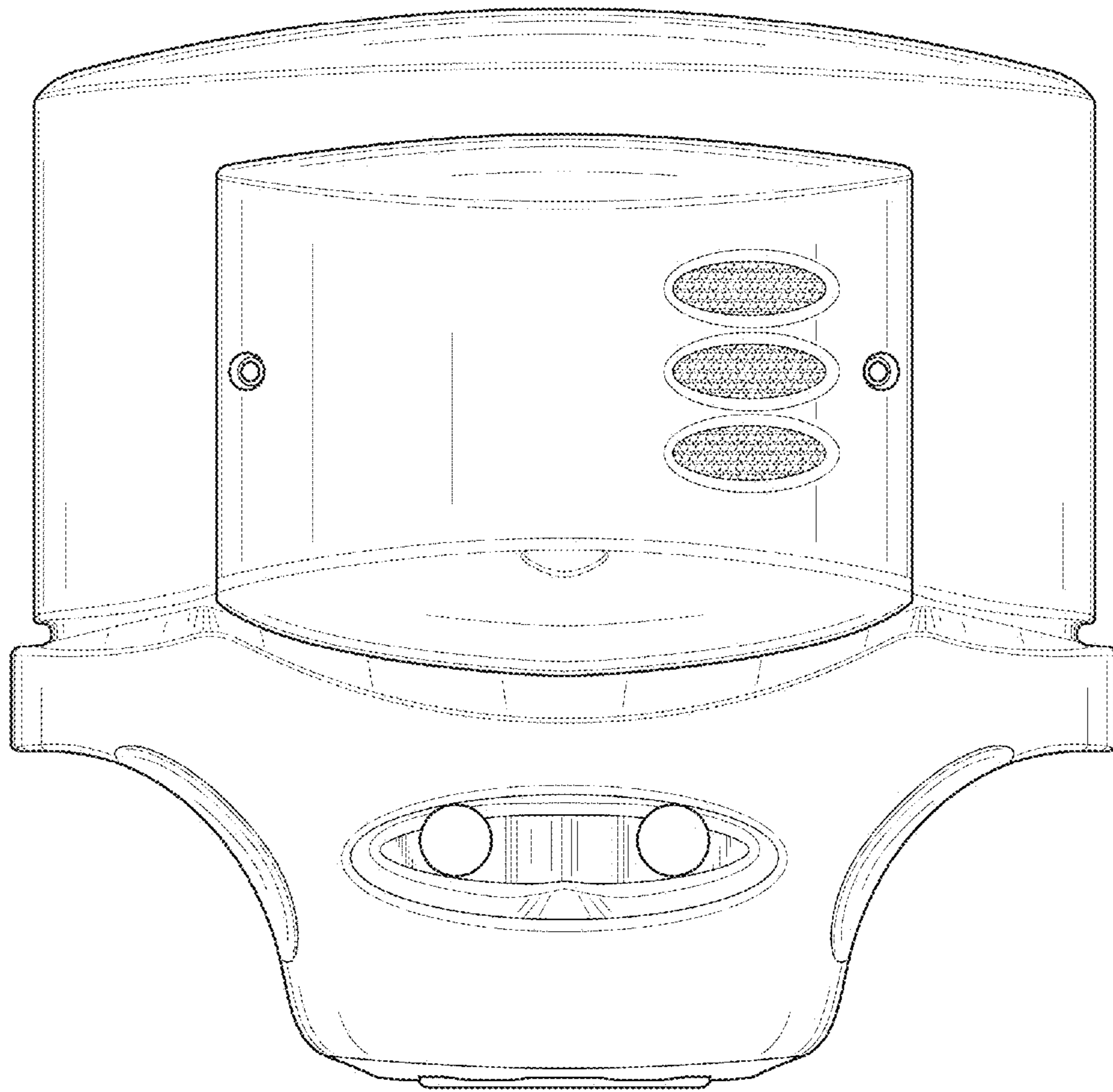


FIG. 2

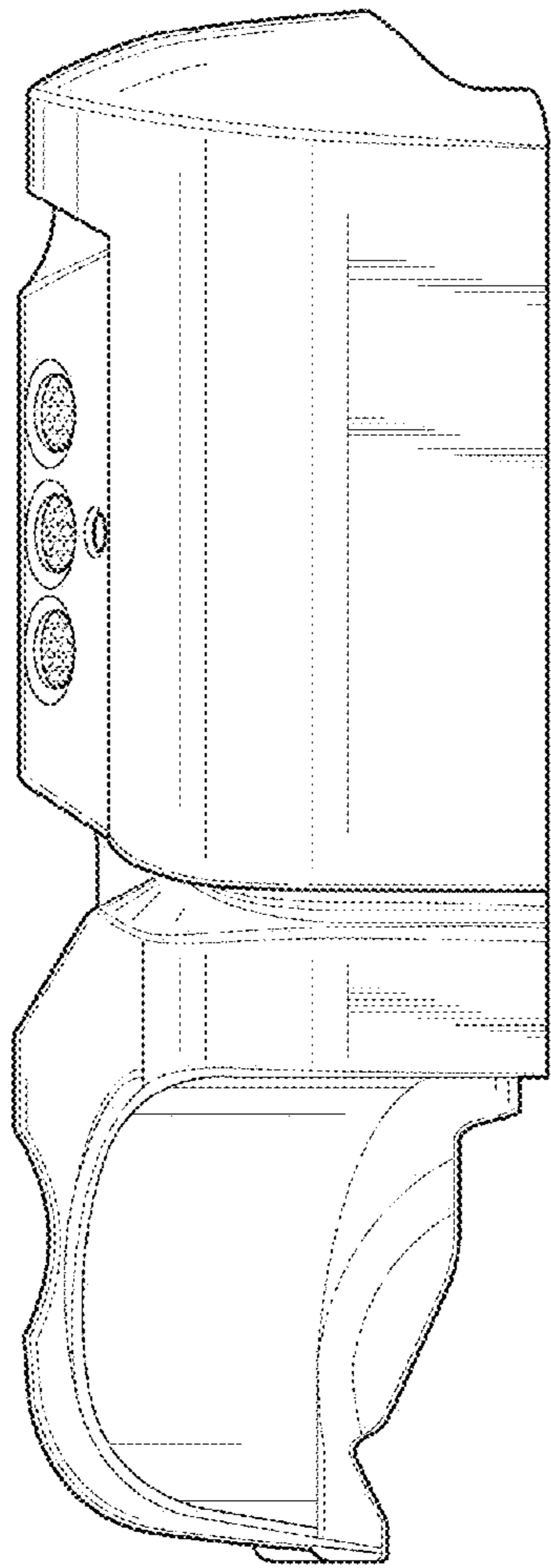


FIG. 3

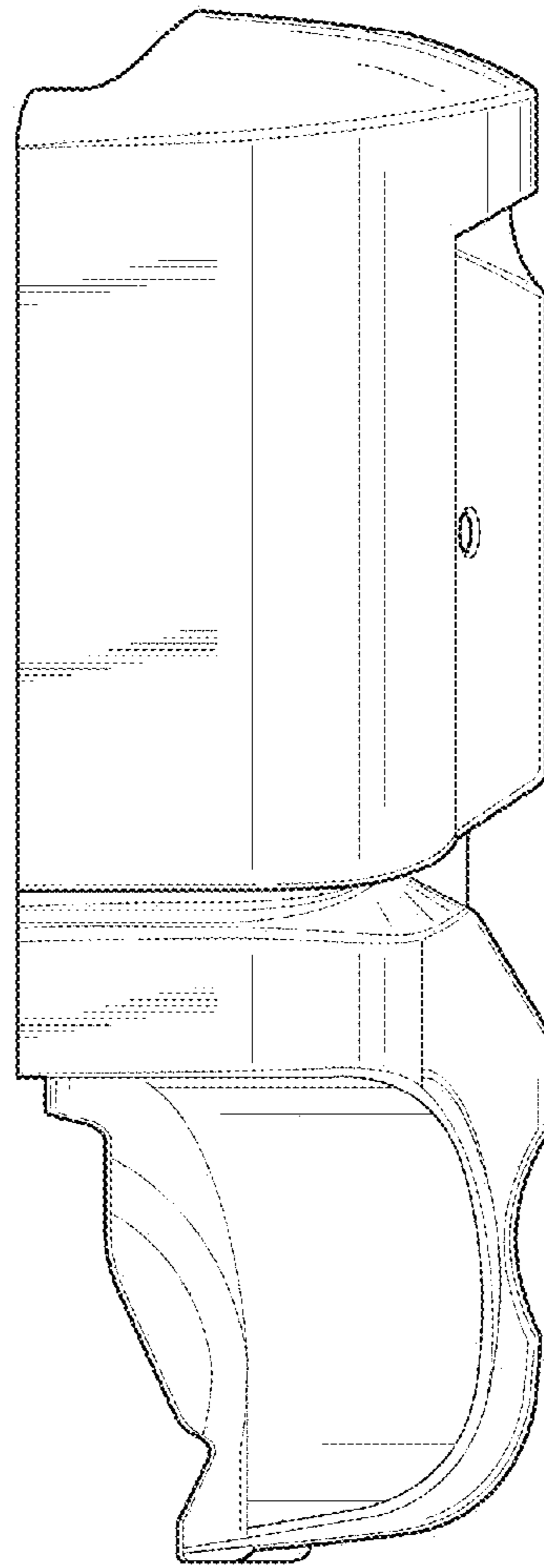


FIG. 4

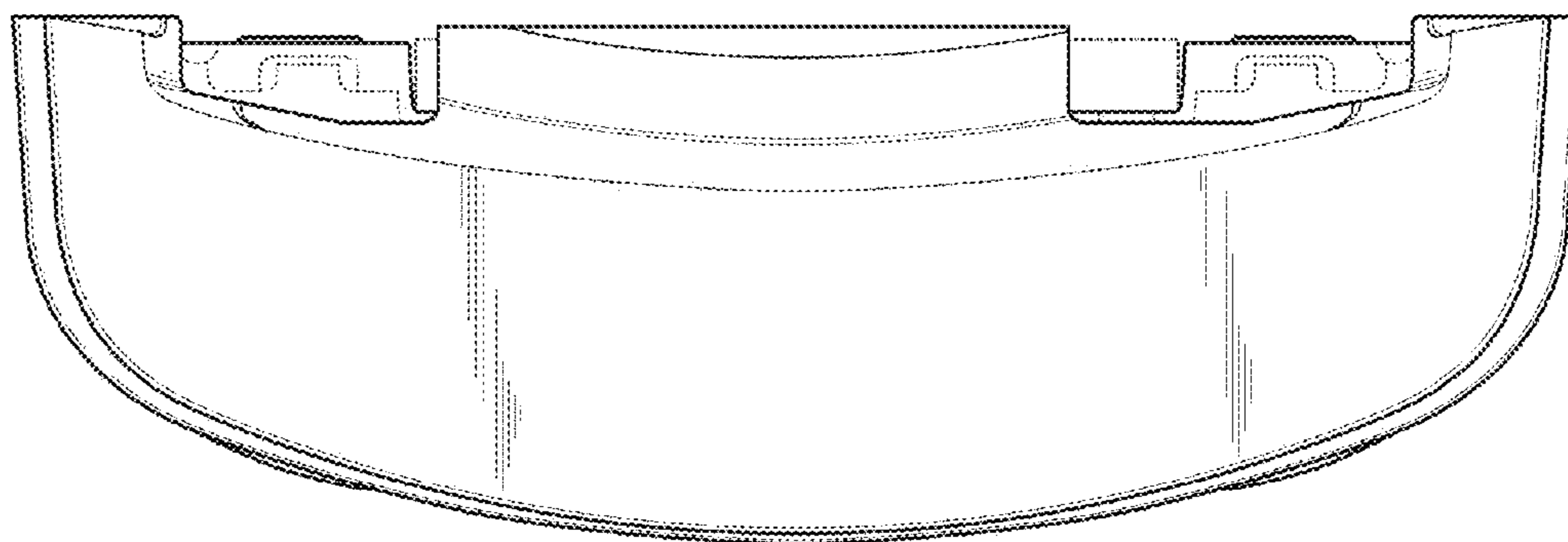


FIG. 5

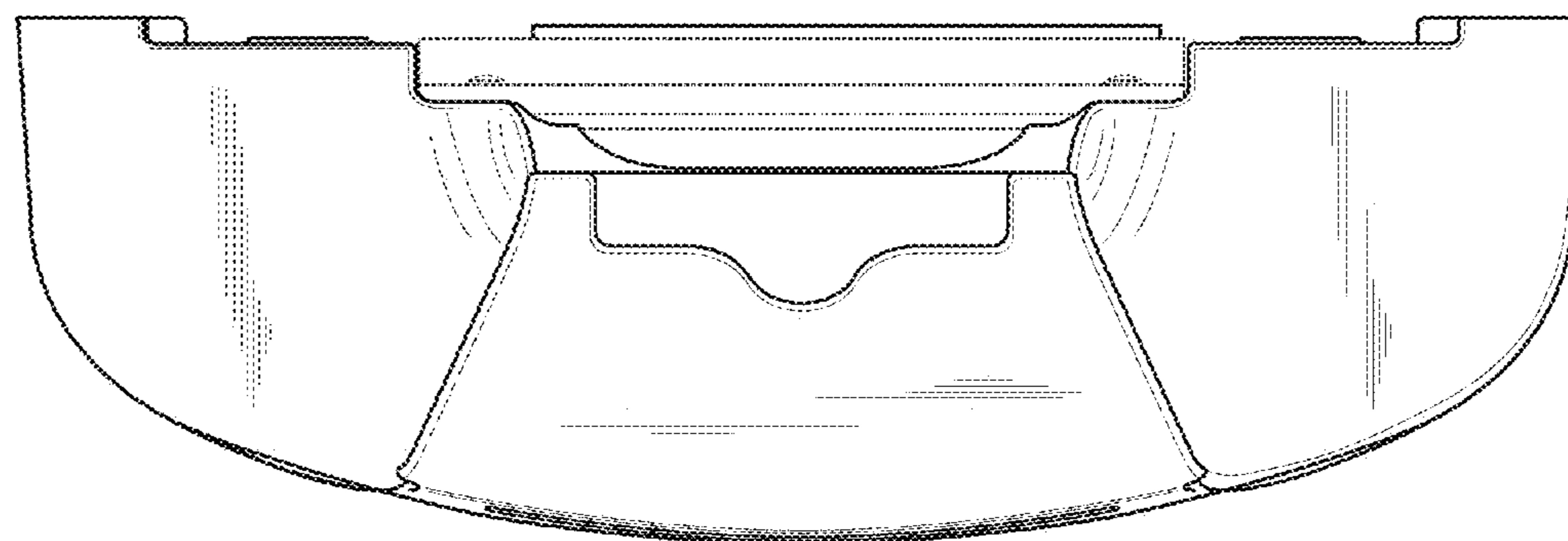


FIG. 6