



US00D724105S

(12) **United States Design Patent**  
**Kendall et al.**

(10) **Patent No.:** **US D724,105 S**  
(45) **Date of Patent:** **\*\* Mar. 10, 2015**

- (54) **SPREADER HOPPER**
- (71) Applicants: **Jeffrey D. Kendall**, Laurel, MD (US);  
**Richard H. Chapman**, Camillus, NY (US); **Richard Sevrey**, Bristol, IN (US)
- (72) Inventors: **Jeffrey D. Kendall**, Laurel, MD (US);  
**Richard H. Chapman**, Camillus, NY (US); **Richard Sevrey**, Bristol, IN (US)
- (73) Assignee: **Earthway Products, Inc.**, Bristol, IN (US)

D368,914	S	*	4/1996	Pink et al.	.....	D15/13
5,570,814	A	*	11/1996	Havlovitz	.....	222/45
5,597,092	A	*	1/1997	Havlovitz	.....	222/45
5,607,079	A	*	3/1997	DeLaby et al.	.....	222/45
D402,670	S	*	12/1998	Becker	.....	D15/13
8,056,838	B2	*	11/2011	Conner et al.	.....	239/650
2005/0274832	A1	*	12/2005	Bowsher	.....	239/683
2008/0314300	A1	*	12/2008	Bowsher	.....	111/11
2010/0230507	A1	*	9/2010	Conner et al.	.....	239/1
2011/0309170	A1	*	12/2011	Weeks	.....	
2012/0018546	A1	*	1/2012	Conner et al.	.....	239/666

(\*\*) Term: **14 Years**

(21) Appl. No.: **29/493,718**

(22) Filed: **Jun. 12, 2014**

**Related U.S. Application Data**

(63) Continuation of application No. 13/919,682, filed on Jun. 17, 2013, which is a continuation-in-part of application No. 13/661,620, filed on Oct. 26, 2012.

(51) **LOC (10) Cl.** ..... **15-03**

(52) **U.S. Cl.**  
USPC ..... **D15/13; D15/21; D15/28**

(58) **Field of Classification Search**  
USPC ..... **D15/13, 17, 27, 28, 21; 239/681-689, 239/666, 663, 650, 652, 655, 664, 665; 222/625, 502, 45, 228, 162, 174, 614, 222/624, 650**

See application file for complete search history.

(56) **References Cited**

**U.S. PATENT DOCUMENTS**

2,986,305	A	5/1961	Koerper et al.	
3,888,196	A	6/1975	Glenn	
4,032,074	A *	6/1977	Amerine	..... 239/685
4,580,730	A *	4/1986	Amerine	..... 239/687
5,145,116	A *	9/1992	Shaver	..... 239/665
D338,893	S *	8/1993	Simpson	..... D15/13
5,287,999	A	2/1994	Olsen	

**FOREIGN PATENT DOCUMENTS**

DE	10 2005 052 741	A1	5/2007
GB	421826	A	12/1934

**OTHER PUBLICATIONS**

International Search Report and Written Opinion of the International Searching Authority, dated Jan. 15, 2013.

\* cited by examiner

*Primary Examiner* — Mark Goodwin

(74) *Attorney, Agent, or Firm* — Kegler Brown Hill & Ritter; James J. Pingor

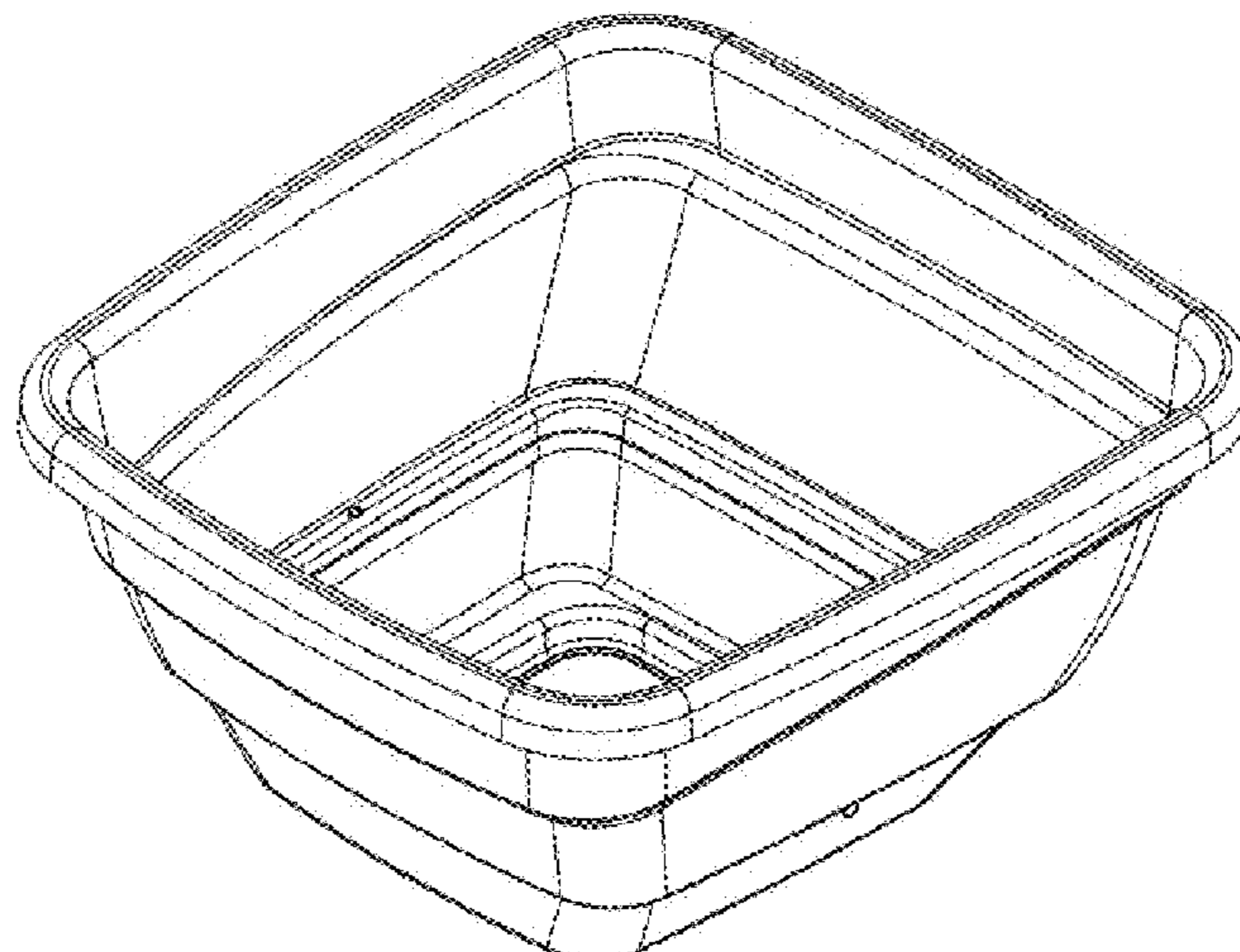
(57) **CLAIM**

The ornamental design for a spreader hopper, as shown and described.

**DESCRIPTION**

FIG. 1 is a top right front perspective view of a spreader hopper;  
 FIG. 2 is a bottom right front perspective view of the spreader hopper;  
 FIG. 3 is a top view thereof;  
 FIG. 4 is a bottom view thereof;  
 FIG. 5 is a front view thereof;  
 FIG. 6 is a rear view thereof;  
 FIG. 7 is a left side view thereof; and,  
 FIG. 8 is a right side view thereof.

**1 Claim, 8 Drawing Sheets**



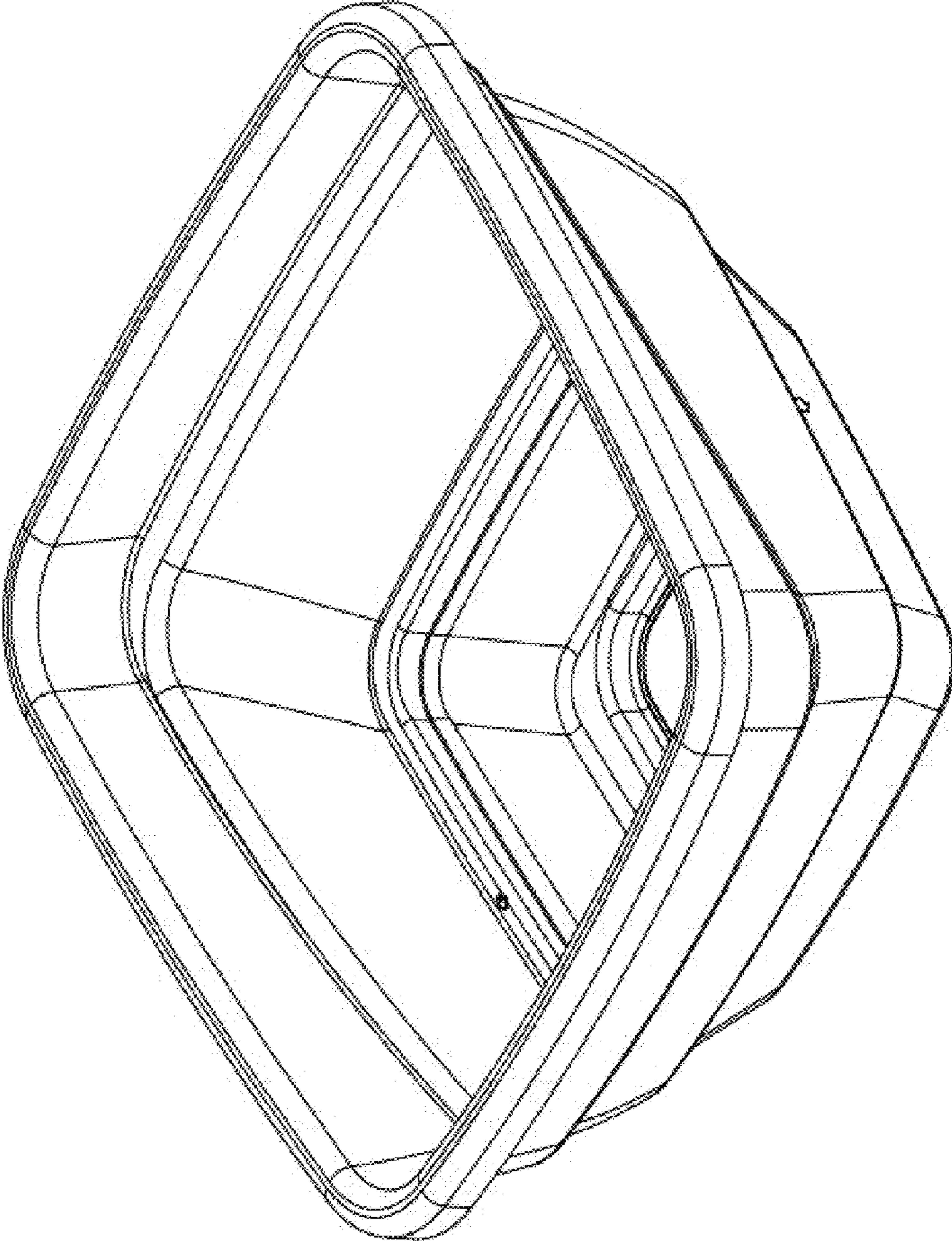


FIG. 1

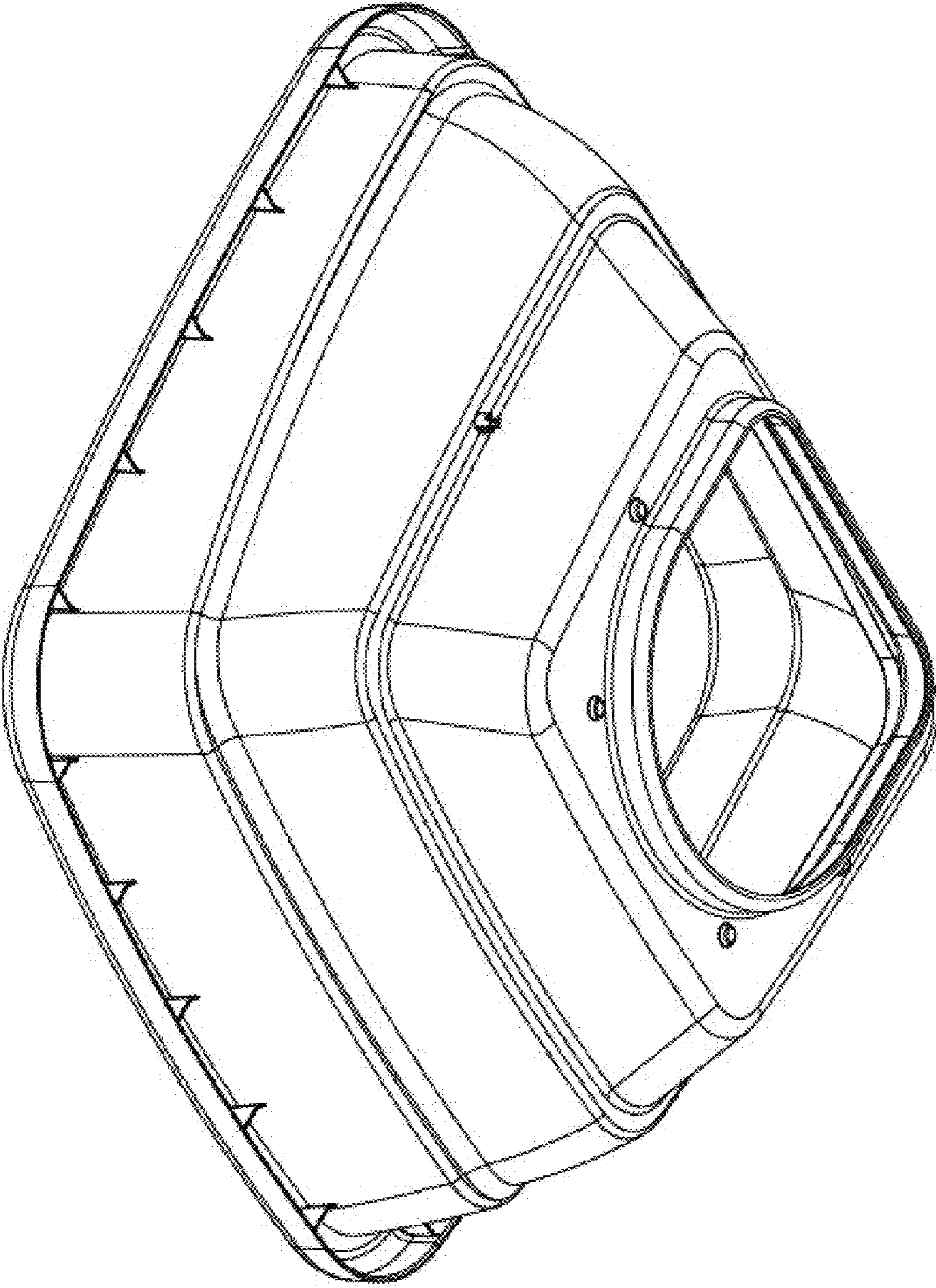


FIG. 2

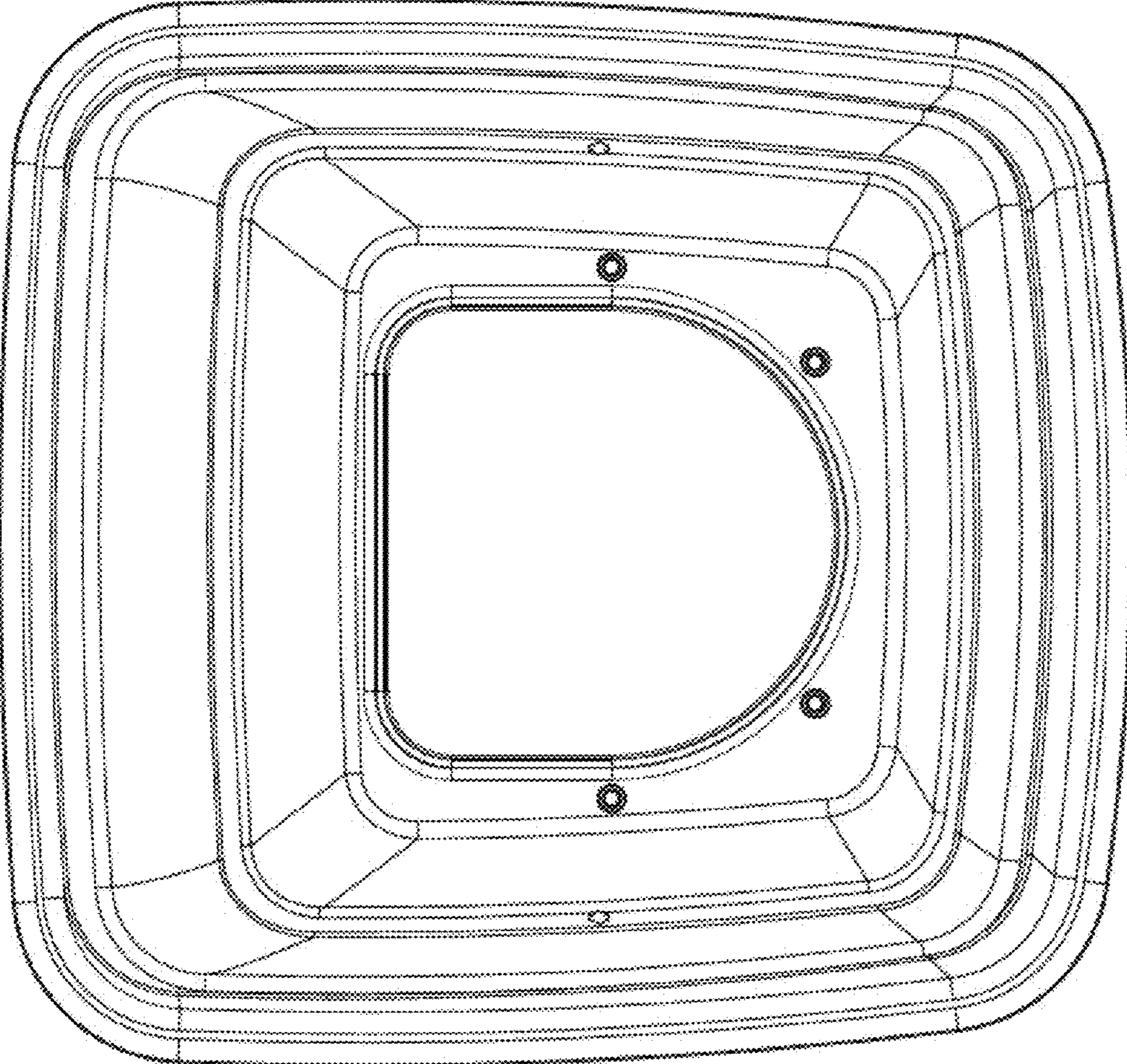


FIG. 3

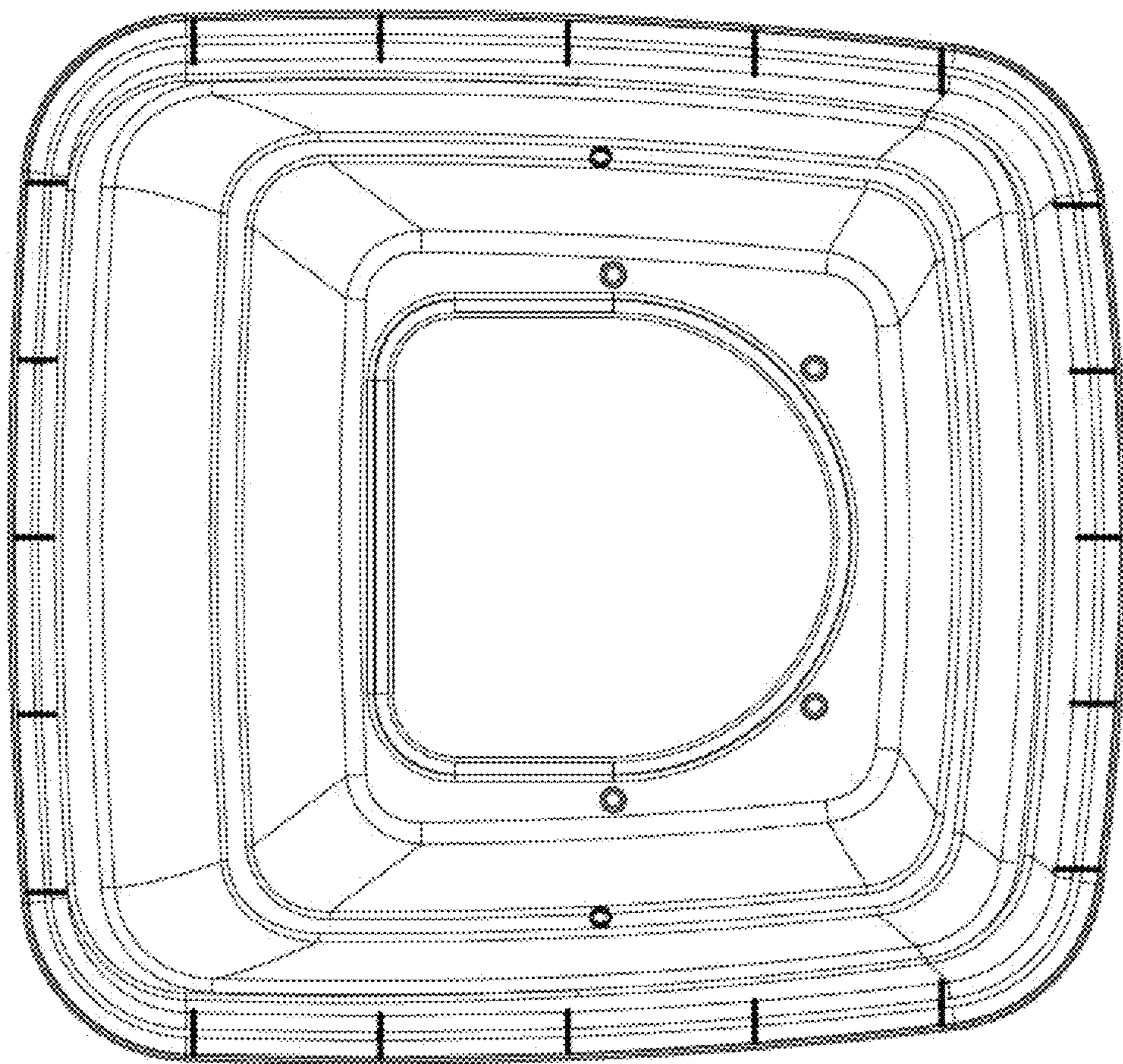


FIG. 4

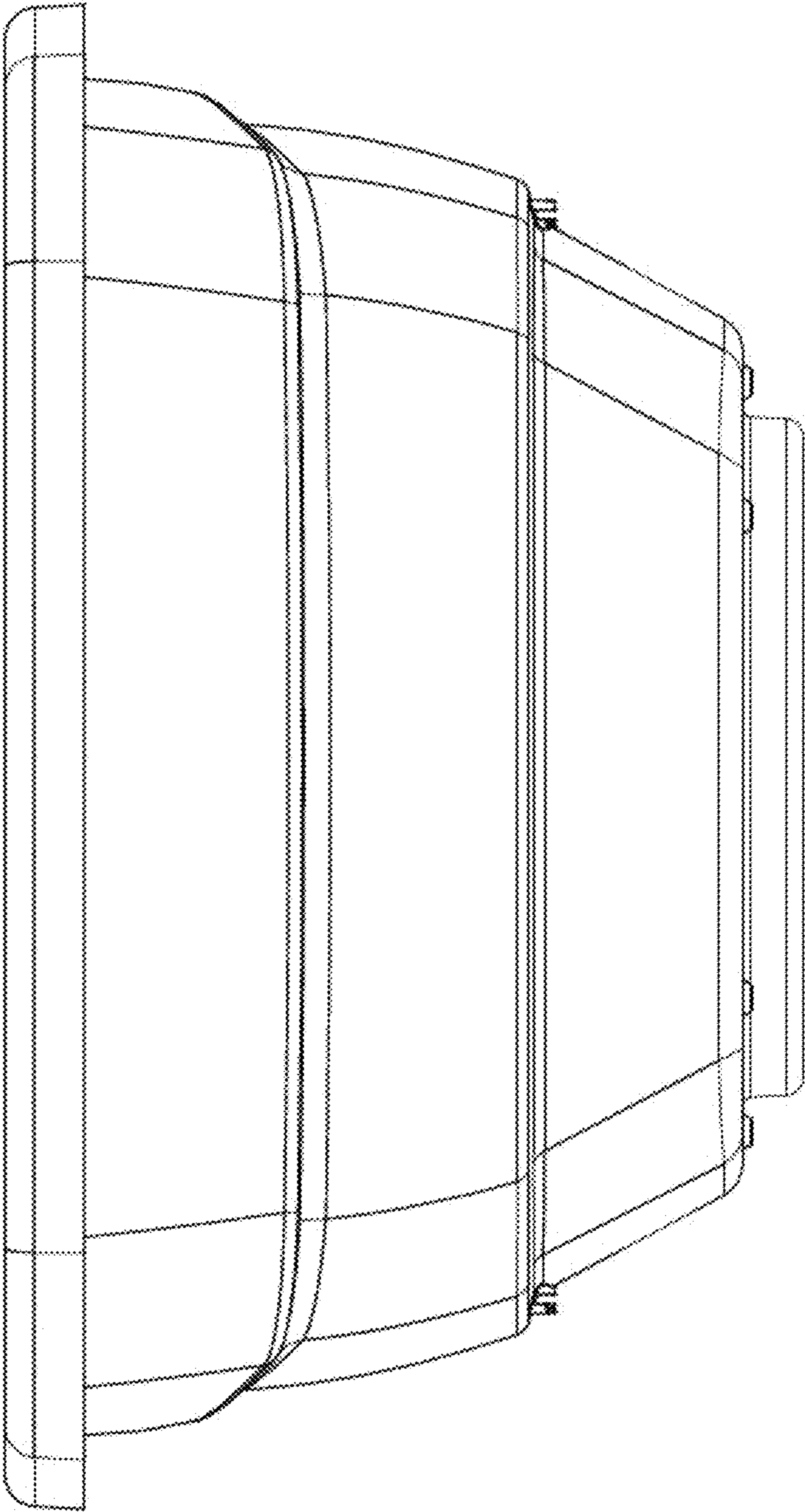


FIG. 5

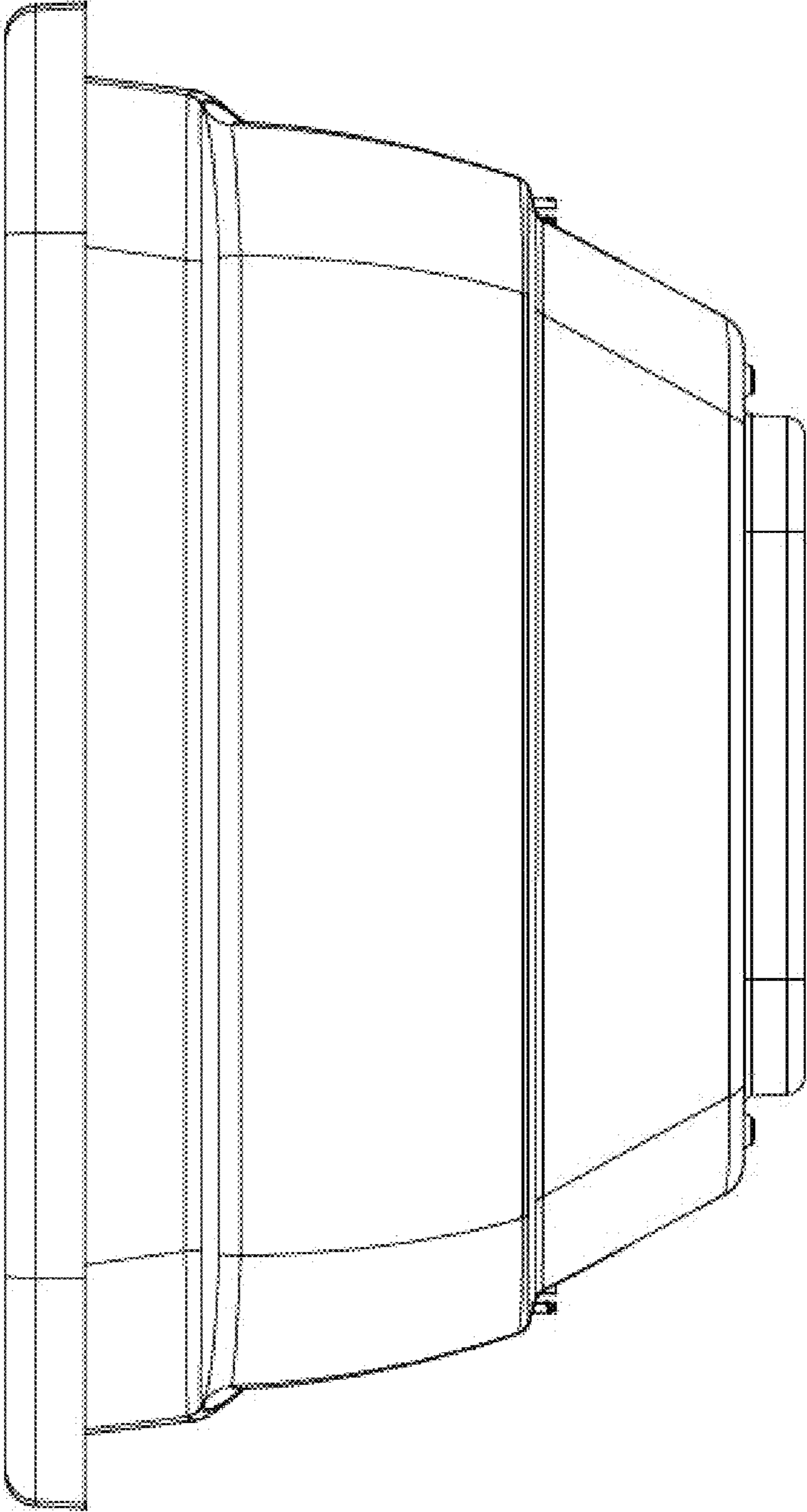


FIG. 6

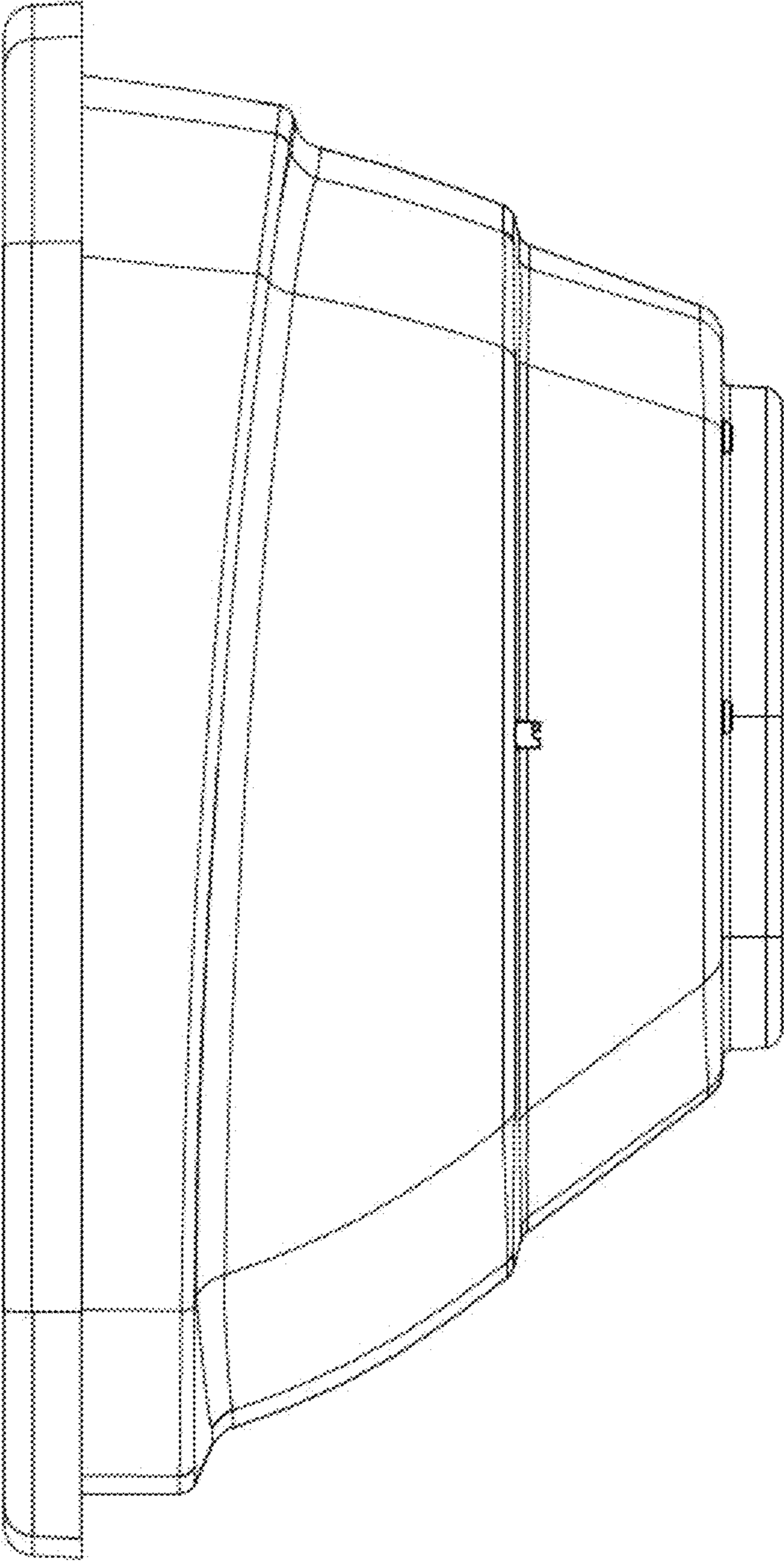


FIG. 7



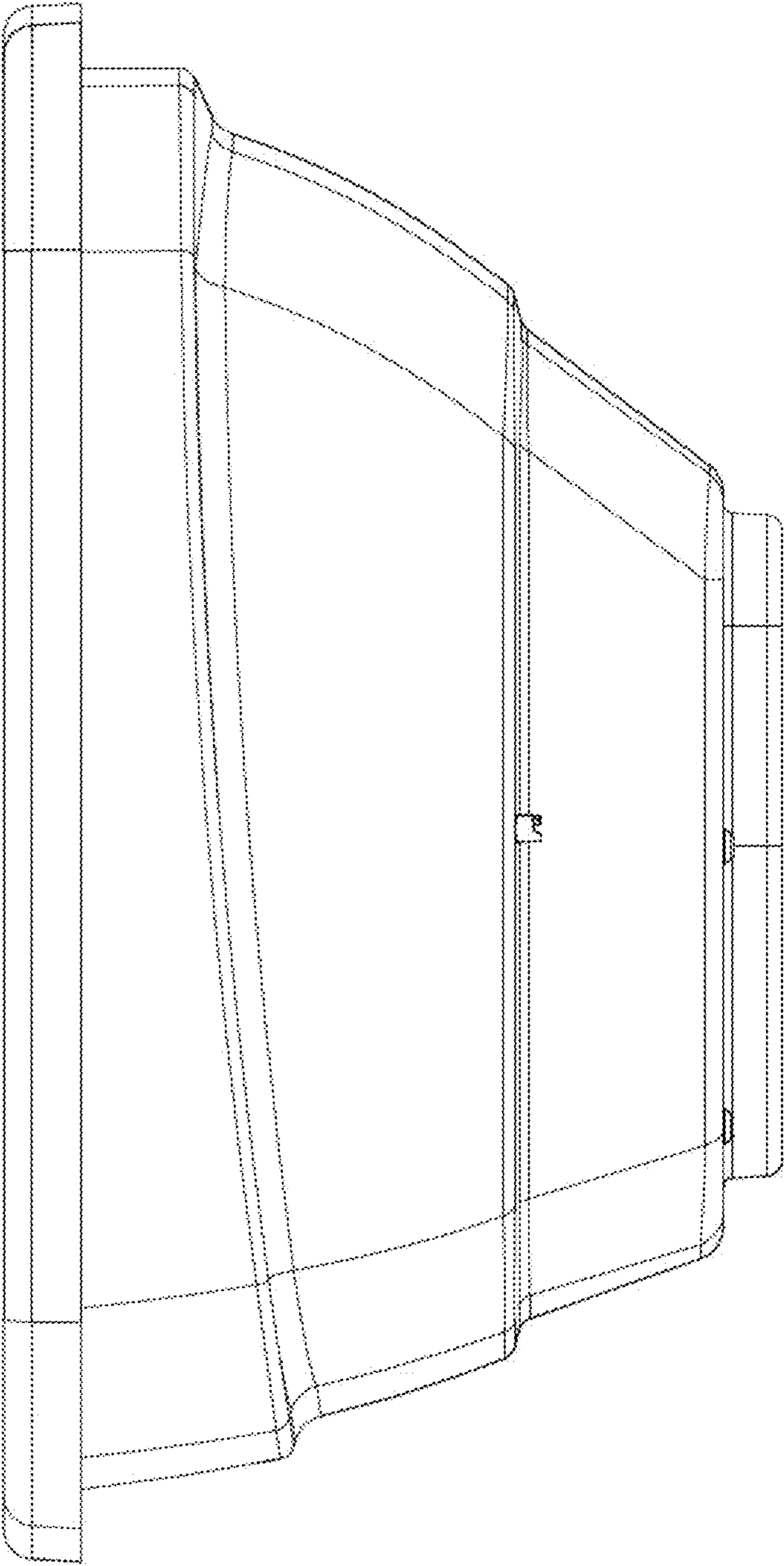


FIG. 8