



US00D724104S

(12) **United States Design Patent**  
**Carruth et al.**

(10) **Patent No.:** **US D724,104 S**  
(45) **Date of Patent:** **\*\* Mar. 10, 2015**

(54) **COMBINED DOWNHOLE PLUNGER ADAPTER AND SANDWIPER FOR PUMP**

(71) Applicants: **Don V. Carruth**, Midland, TX (US);  
**Jyothi Swaroop Samayamantula**,  
Midland, TX (US)

(72) Inventors: **Don V. Carruth**, Midland, TX (US);  
**Jyothi Swaroop Samayamantula**,  
Midland, TX (US)

(73) Assignee: **Don V. Carruth**, Midland, TX (US)

(\*\*) Term: **14 Years**

(21) Appl. No.: **29/471,983**

(22) Filed: **Nov. 7, 2013**

(51) **LOC (10) Cl.** ..... **15-02**

(52) **U.S. Cl.**  
USPC ..... **D15/7**

(58) **Field of Classification Search**  
CPC ..... F04B 39/00; F04B 39/10; F04B 53/00;  
E21B 37/02  
USPC ..... D15/7-9; D23/231, 232, 225; 417/60,  
417/235, 265, 321, 355, 358, 363, 359,  
417/410.1, 415-416, 405, 900, 430, 43,  
417/554; 60/408, 412; 184/26-37;  
415/140-147; 123/495, 509;  
166/105.1, 105.2, 311

See application file for complete search history.

(56) **References Cited**

**U.S. PATENT DOCUMENTS**

54,484 A 5/1886 Armstrong  
1,178,217 A 4/1916 Conrader

(Continued)

**OTHER PUBLICATIONS**

Don-Nan Machine and Manufacturing, Drawings of Plunger Sand  
Diverter and Bushing, pp. 1-5, product sold 2009.

(Continued)

*Primary Examiner* — Ralf Seifert

(74) *Attorney, Agent, or Firm* — Grady K. Bergen; Griggs  
Bergen LLP

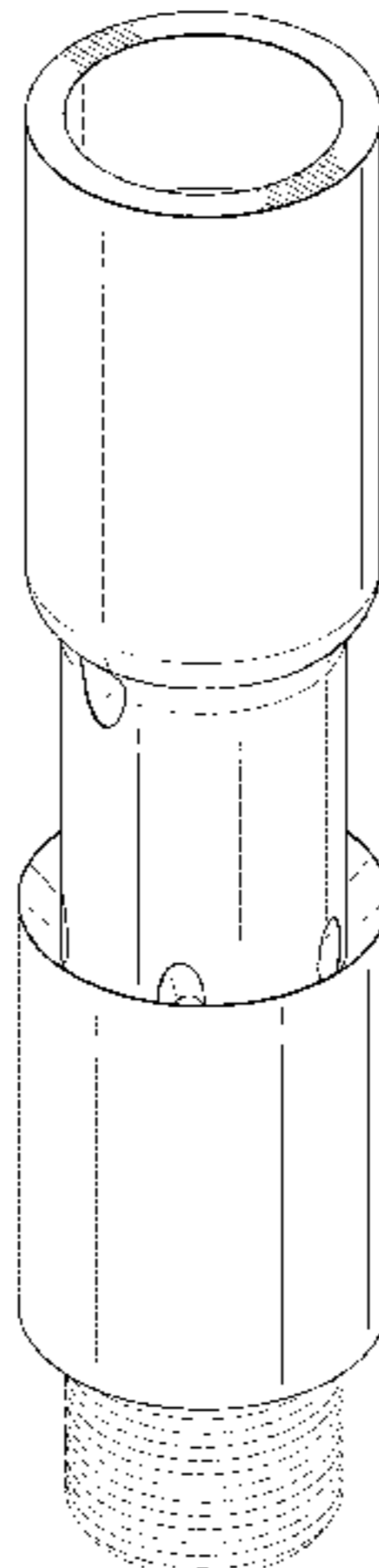
(57) **CLAIM**

The ornamental design for the combined downhole plunger  
adapter and sandwiper for pump, as shown and described.

**DESCRIPTION**

FIG. 1 is a top side perspective view of a combined downhole  
plunger adapter and sandwiper for pump;  
FIG. 2 is a front side elevational view of the combined down-  
hole plunger adapter and sandwiper for pump of FIG. 1;  
FIG. 3 is a rear side elevational view of the combined down-  
hole plunger adapter and sandwiper for pump of FIG. 1;  
FIG. 4 is a right side elevational view of the combined down-  
hole plunger adapter and sandwiper for pump of FIG. 1;  
FIG. 5 is a left side elevational view of the downhole plunger  
adapter with sandwiper for pump of FIG. 1;  
FIG. 6 is a top plan view of the combined downhole plunger  
adapter and sandwiper for pump of FIG. 1;  
FIG. 7 is a bottom plan view of the combined downhole  
plunger adapter and sandwiper for pump of FIG. 1;  
FIG. 8 is a bottom side perspective view of the combined  
downhole plunger adapter and sandwiper for pump of FIG. 1;  
FIG. 9 is a top side perspective view of another embodiment  
of a combined downhole plunger adapter and sandwiper for  
pump;  
FIG. 10 is a front side elevational view of the combined  
downhole plunger adapter and sandwiper for pump of FIG. 9;  
FIG. 11 is a rear side elevational view of the combined down-  
hole plunger adapter and sandwiper for pump of FIG. 9;  
FIG. 12 is a right side elevational view of the combined  
downhole plunger adapter and sandwiper for pump of FIG. 9;  
FIG. 13 is a left side elevational view of the combined down-  
hole plunger adapter and sandwiper for pump of FIG. 9;  
FIG. 14 is a top plan view of the combined downhole plunger  
adapter and sandwiper for pump of FIG. 9;  
FIG. 15 is a bottom plan view of the combined downhole  
plunger adapter and sandwiper for pump of FIG. 9; and,  
FIG. 16 is a bottom side perspective view of the combined  
downhole plunger adapter and sandwiper for pump of FIG. 9.  
The broken lines are included for the purpose of illustrating  
portions of the combined downhole plunger adapter and sand-  
wiper for pump that form no part of the claimed design.

**1 Claim, 10 Drawing Sheets**



(56)

References Cited

U.S. PATENT DOCUMENTS

1,455,850 A 8/1921 Penrod et al.  
 1,422,759 A 7/1922 Green  
 1,844,780 A 2/1932 Merrick  
 1,933,595 A 1/1933 Kapp  
 2,462,257 A 2/1949 Cunningham  
 2,635,554 A 9/1950 Haley  
 2,834,300 A 5/1958 Brock  
 3,090,324 A 5/1963 Schmidt  
 4,049,365 A 9/1977 Sparks, Sr.  
 4,194,567 A 3/1980 Marais  
 4,395,204 A 7/1983 Turner  
 4,509,365 A 4/1985 Eineichner et al.  
 D345,420 S 3/1994 Stewart, Sr.  
 5,372,488 A 12/1994 Turner  
 D355,199 S 2/1995 Ousey  
 5,505,258 A 4/1996 Muth  
 5,618,169 A 4/1997 Smith  
 5,765,639 A 6/1998 Muth  
 5,934,372 A 8/1999 Muth  
 6,007,314 A 12/1999 Nelson, II  
 6,145,590 A 11/2000 Havard  
 6,250,392 B1 6/2001 Muth  
 D461,827 S 8/2002 Koebbe  
 D472,558 S 4/2003 MacPherson et al.  
 6,543,543 B2 4/2003 Muth  
 6,746,222 B2 6/2004 Skillman  
 7,008,197 B2 3/2006 Ford  
 D520,521 S 5/2006 Angeletta  
 7,143,829 B2 12/2006 Booth

D557,286 S 12/2007 Pedrollo  
 7,404,702 B2 \* 7/2008 Ford ..... 417/430  
 7,428,923 B2 9/2008 Ford  
 D583,389 S 12/2008 Bilger  
 D584,320 S 1/2009 Huang  
 D589,984 S 4/2009 Roesler  
 7,607,901 B2 10/2009 Williams et al.  
 D610,166 S 2/2010 Foreman  
 D623,200 S 9/2010 Fulkerson et al.  
 D624,561 S 9/2010 Yu  
 7,909,589 B2 3/2011 Williams  
 D641,382 S 7/2011 Hawes et al.  
 D643,442 S 8/2011 Sato et al.  
 D652,059 S 1/2012 Sato et al.  
 D682,317 S 5/2013 Carruth et al.  
 8,535,024 B2 9/2013 Conyers et al.  
 D700,622 S 3/2014 Carruth et al.  
 D700,623 S \* 3/2014 Van Genechten ..... D15/7  
 2002/0066572 A1 6/2002 Muth  
 2005/0265875 A1 12/2005 Williams et al.  
 2008/0112826 A1 5/2008 Ford  
 2012/0141310 A1 6/2012 Conyers et al.  
 2012/0211237 A1 8/2012 Rich

OTHER PUBLICATIONS

Don-Nan Machine and Manufacturing, Drawings of Plunger Sand  
 Diverter and Bushing, pp. 1-3, product sold 2009.  
 Don-Nan Machine and Manufacturing, Drawings of Sand Sucker  
 Plunger, pp. 1-3, product sold 2006.

\* cited by examiner

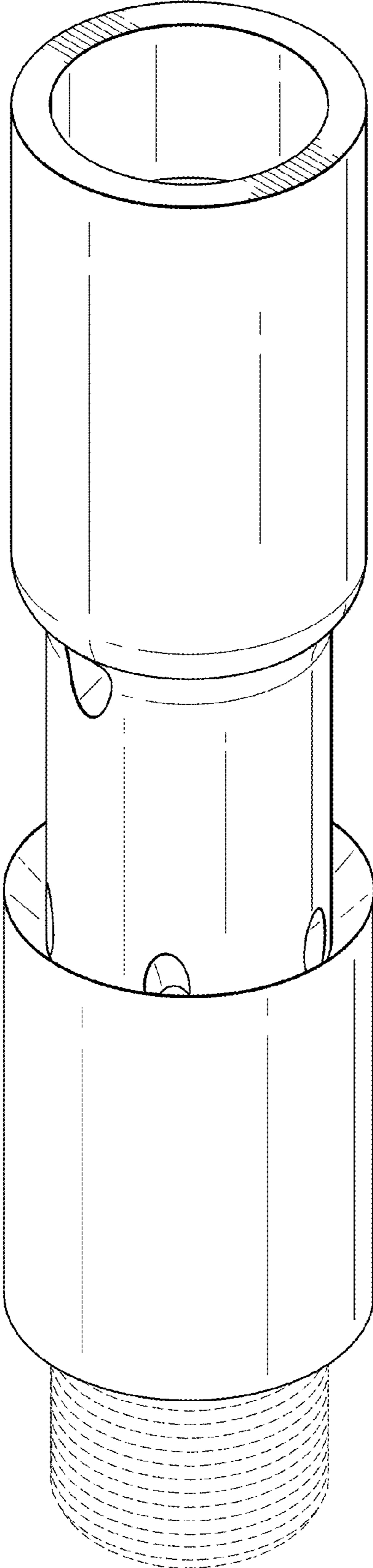


FIG. 1

FIG. 2

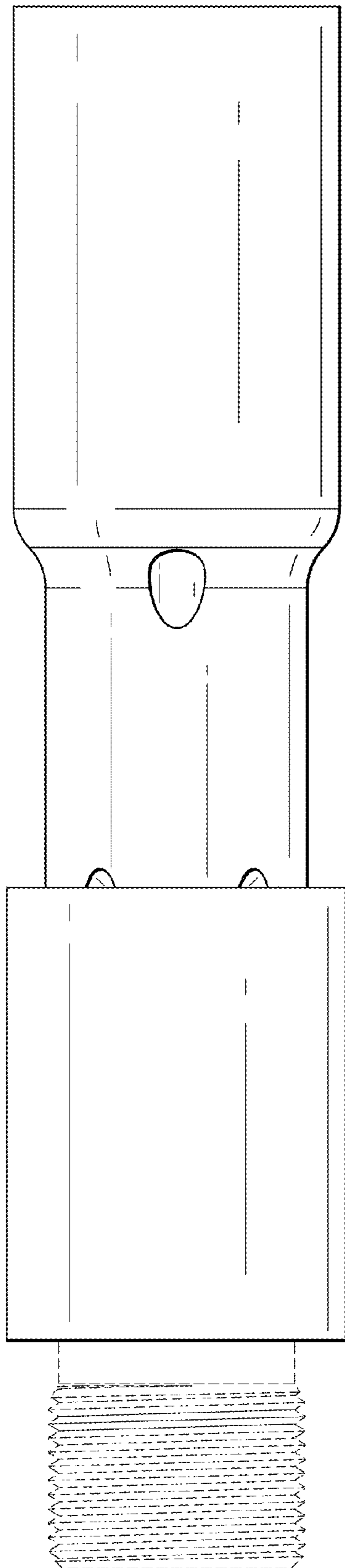


FIG. 3

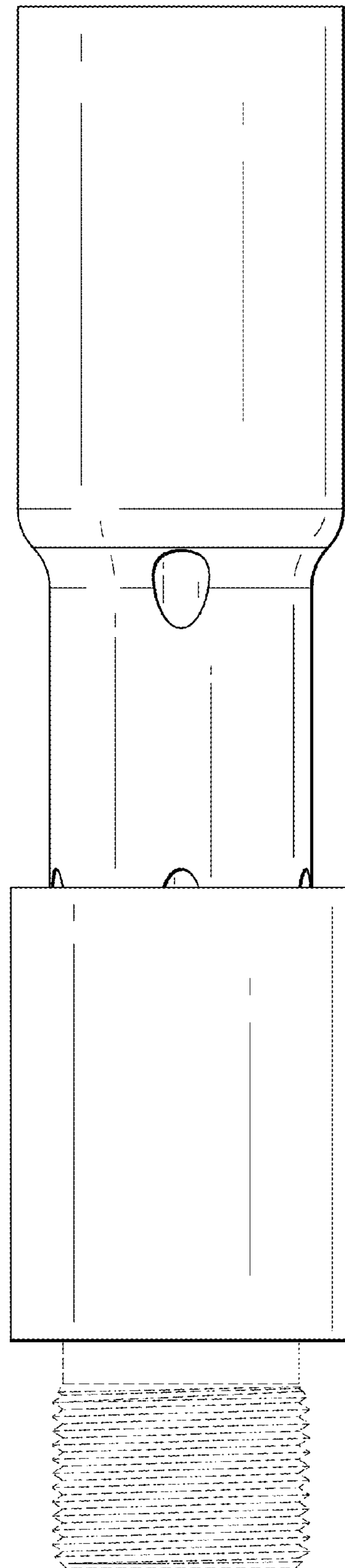




FIG. 4

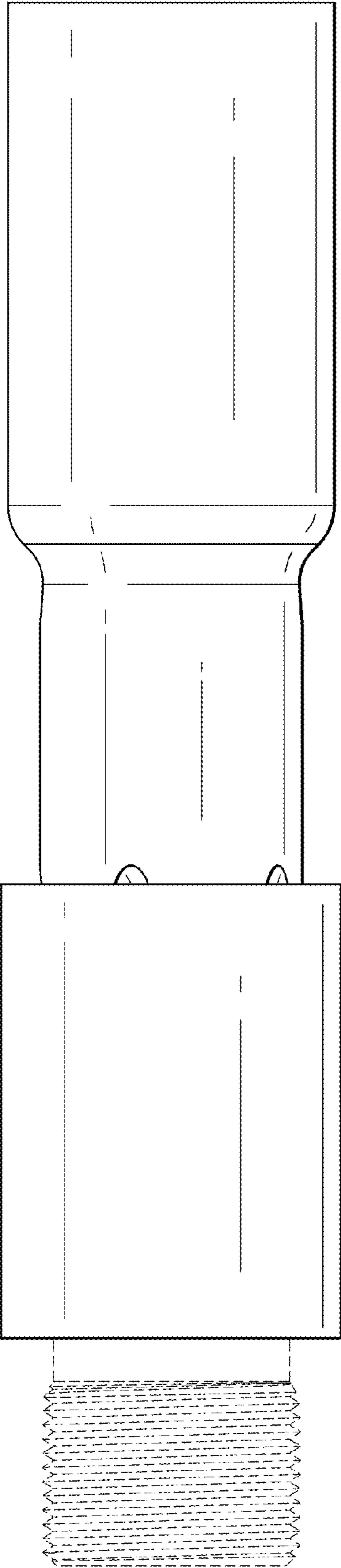
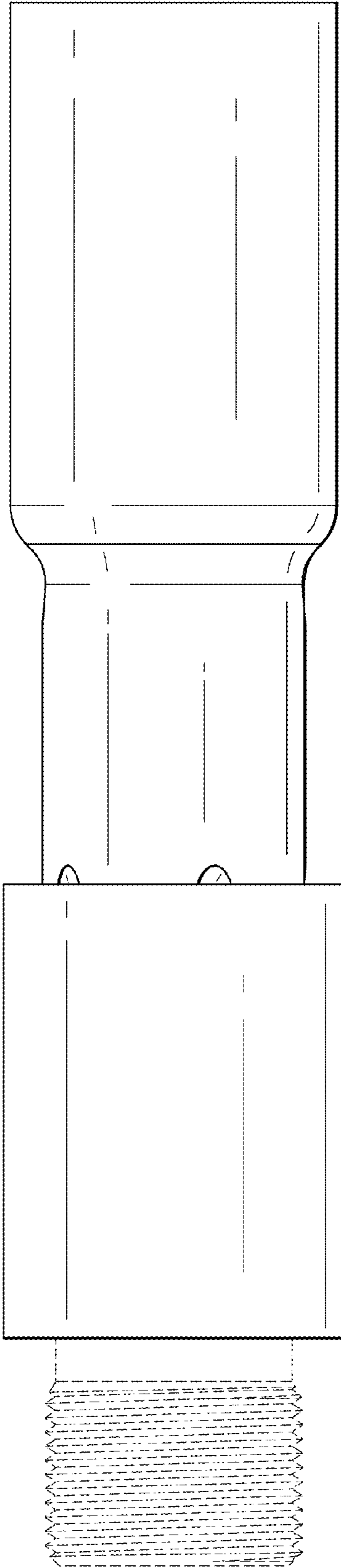


FIG. 5



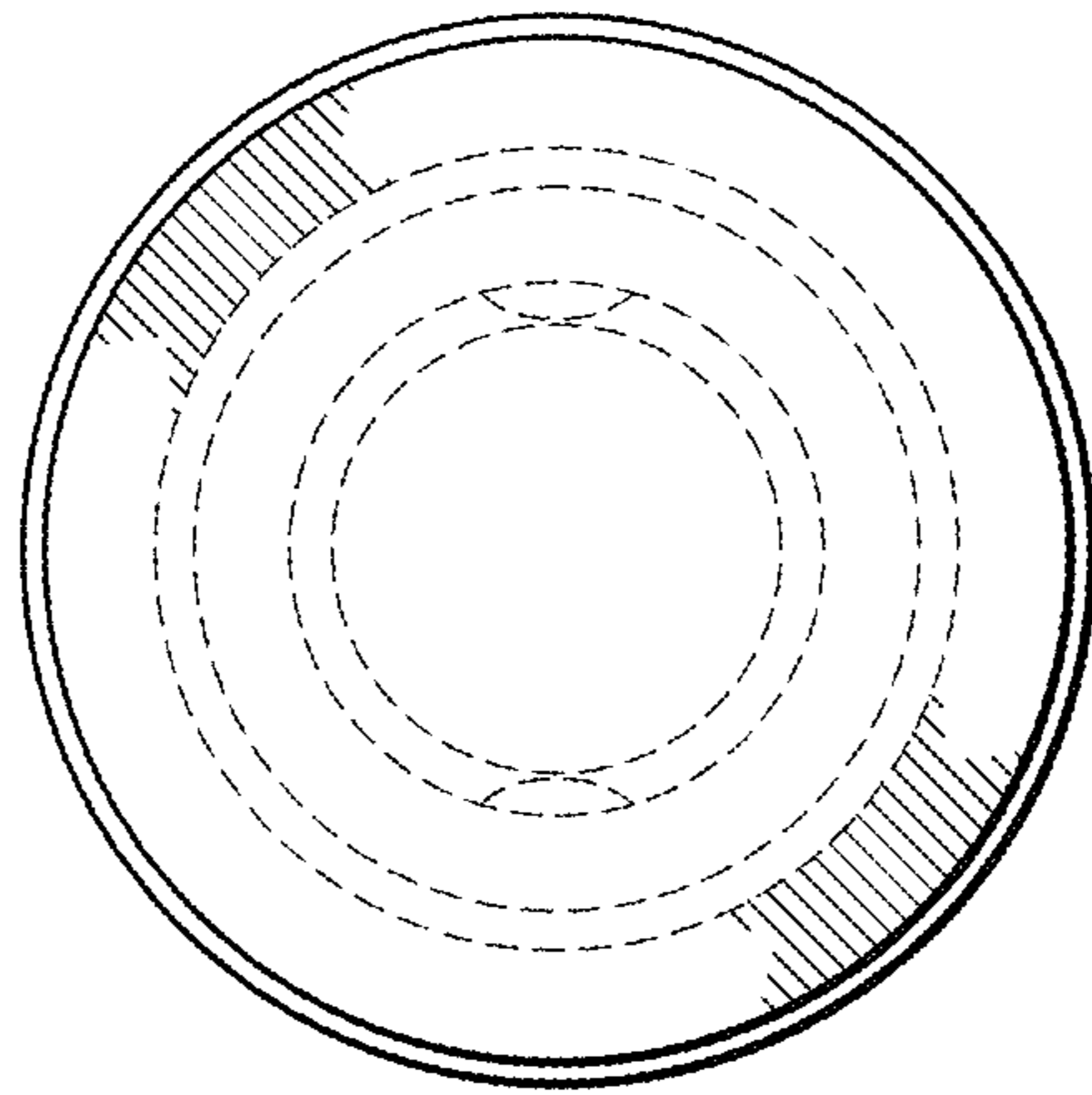


FIG. 6

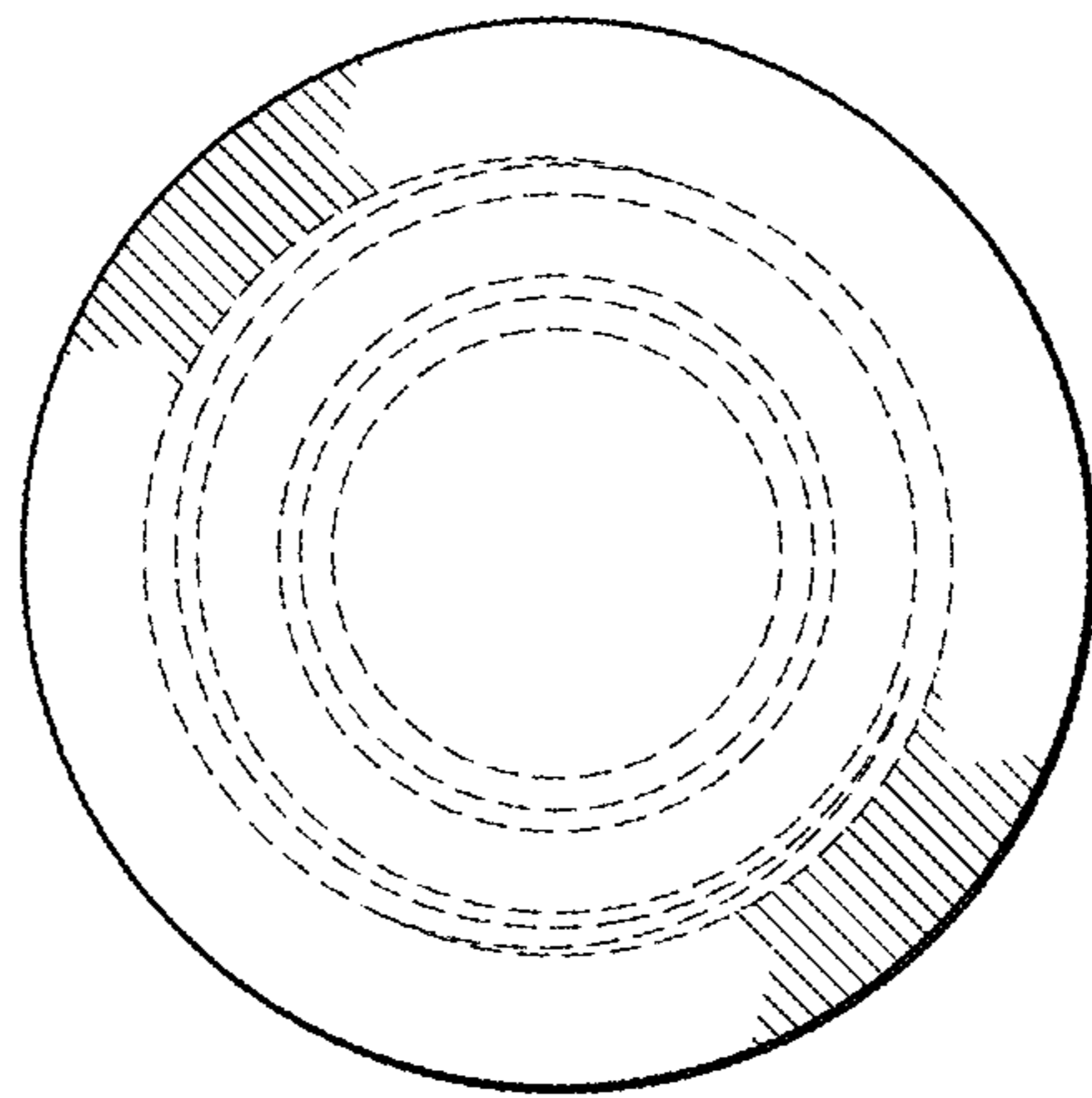


FIG. 7

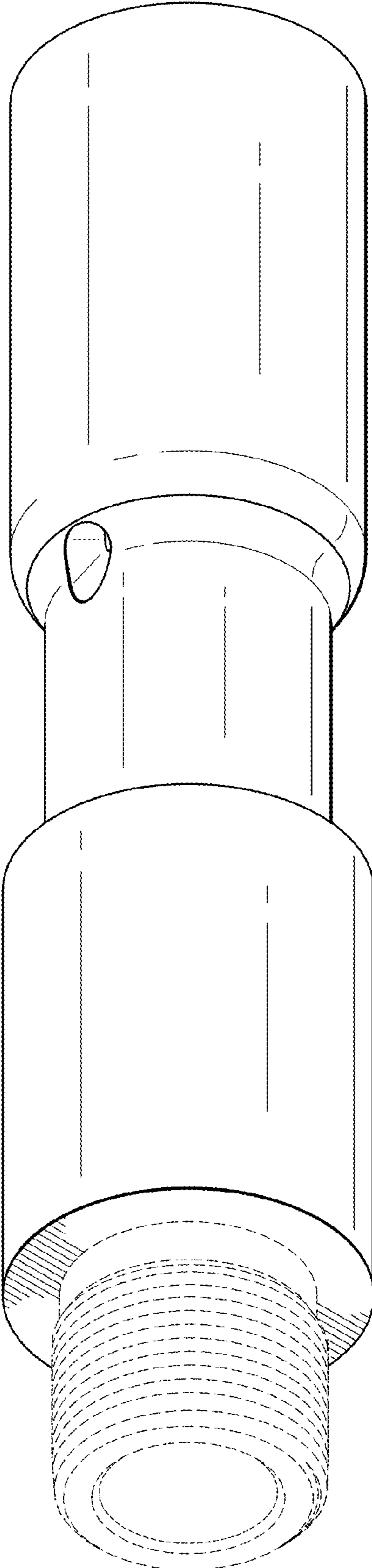


FIG. 8

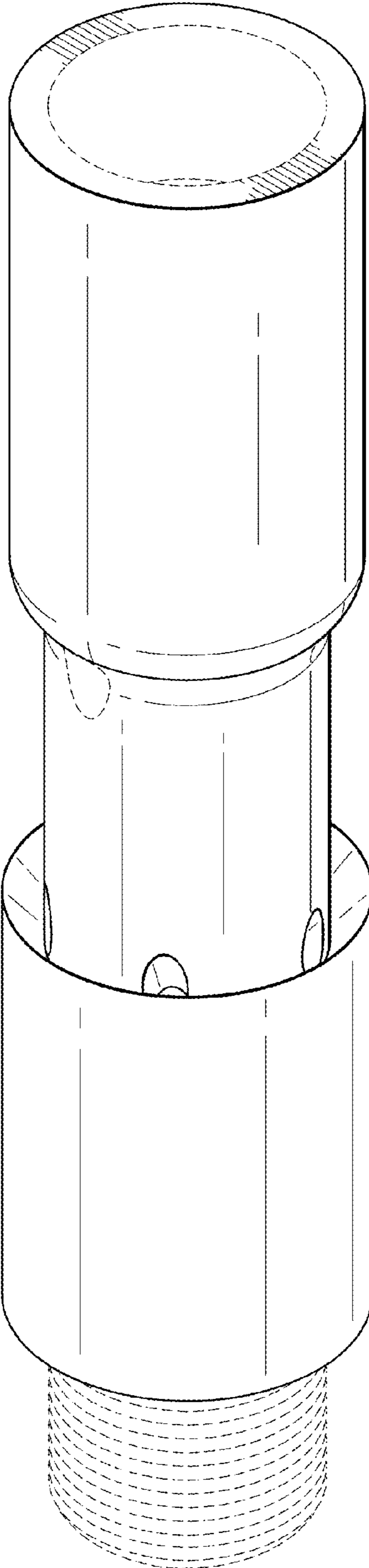


FIG. 9



FIG. 10

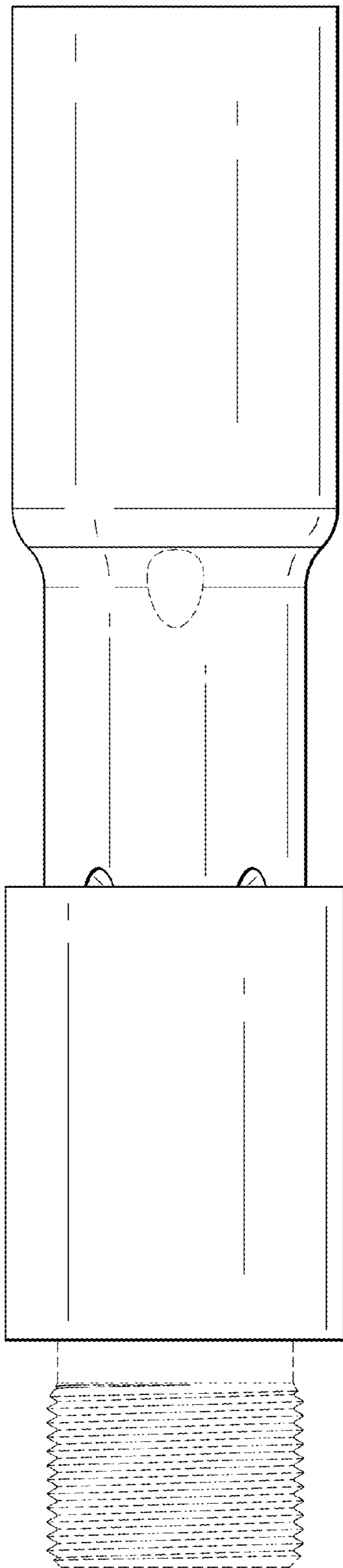


FIG. 11

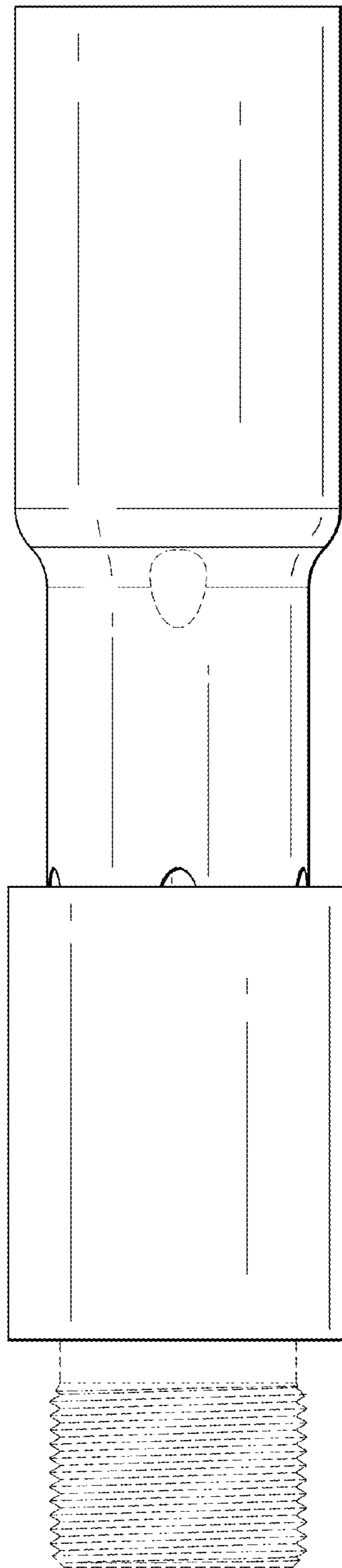


FIG. 12

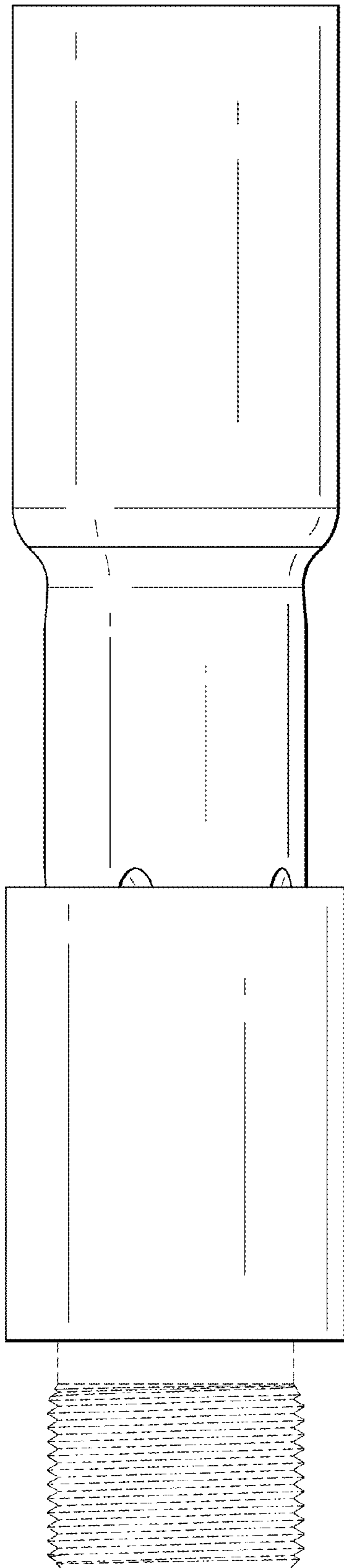
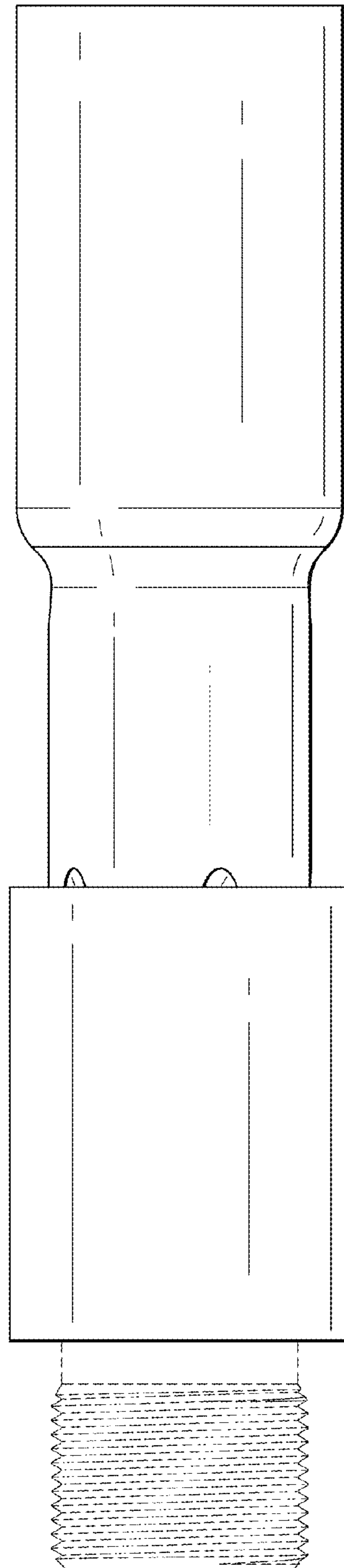


FIG. 13



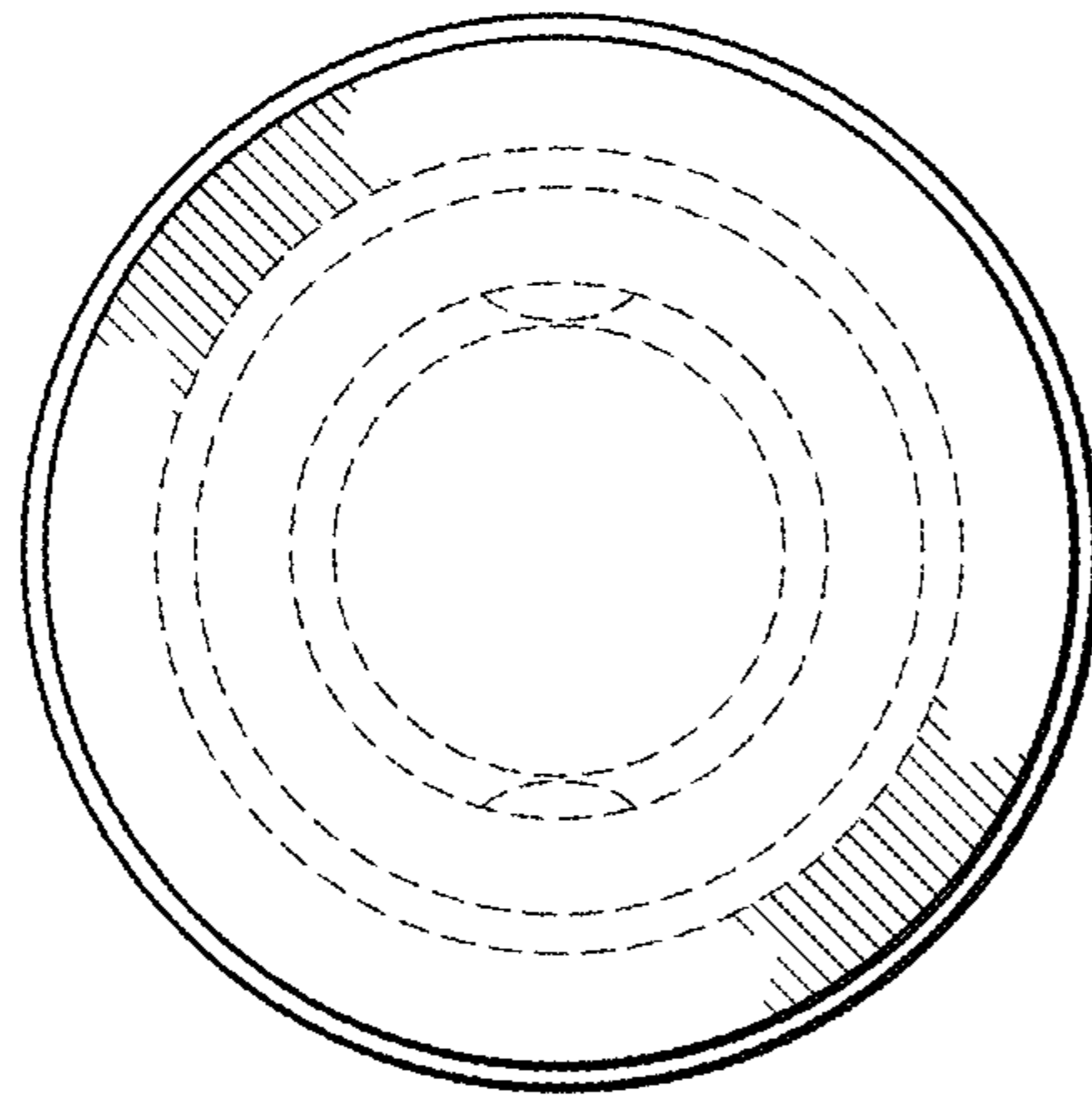


FIG. 14

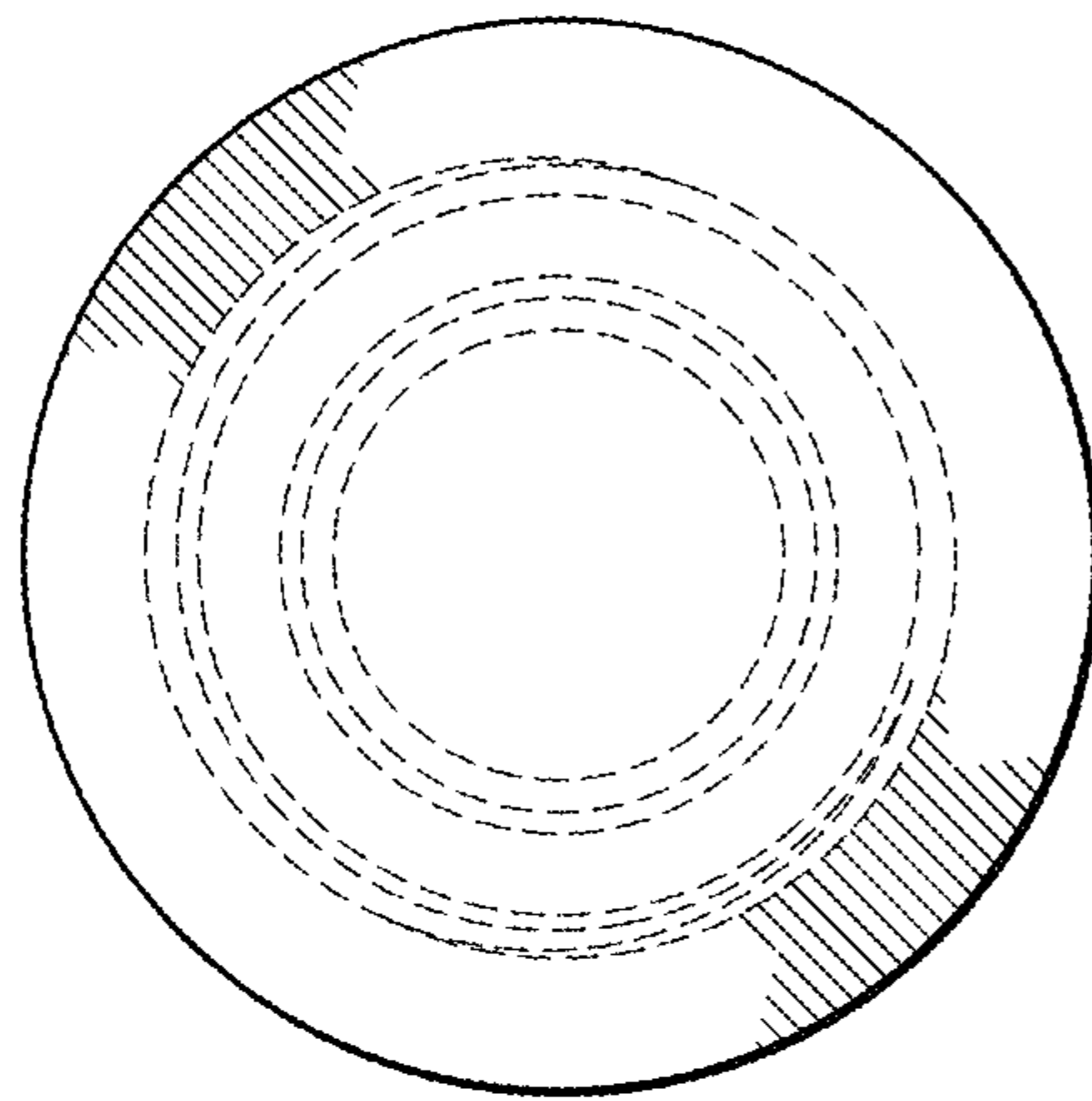


FIG. 15

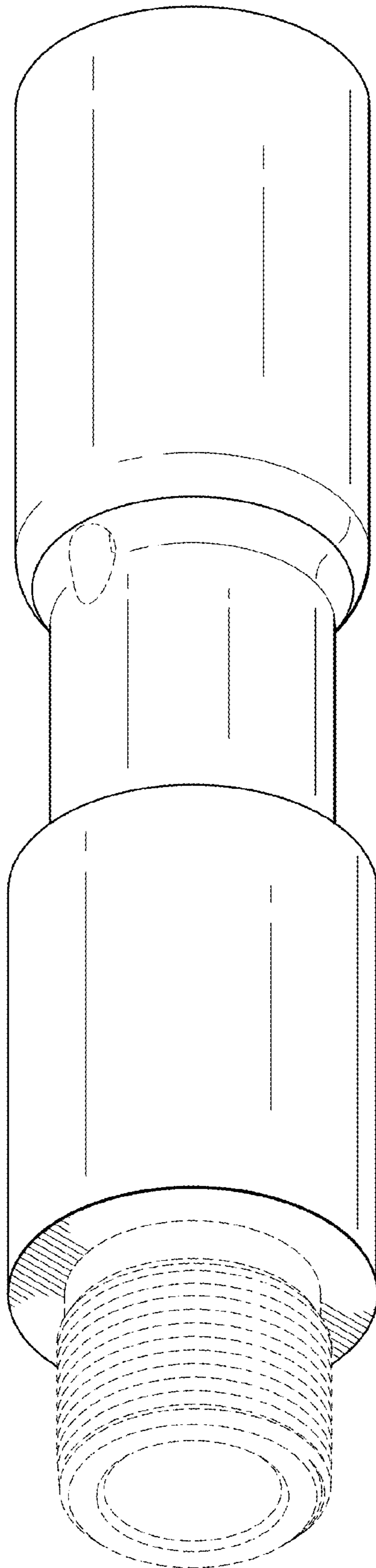


FIG. 16