



US00D724102S

(12) **United States Design Patent**
Andre et al.

(10) **Patent No.:** **US D724,102 S**
(45) **Date of Patent:** **** *Mar. 10, 2015**

(54) **ELECTRONIC DEVICE**

455/3.01–3.06, 550.1, 573.1; 370/342–344;
369/1, 2, 6–12; 463/43–47; 273/148 B

(71) Applicant: **Apple Inc.**, Cupertino, CA (US)

See application file for complete search history.

(72) Inventors: **Bartley K. Andre**, Palo Alto, CA (US);
Daniel J. Coster, San Francisco, CA (US);
Daniele De Iuliis, San Francisco, CA (US);
M. Evans Hankey, San Francisco, CA (US);
Richard P. Howarth, San Francisco, CA (US);
Jonathan P. Ive, San Francisco, CA (US);
Duncan Robert Kerr, San Francisco, CA (US);
Shin Nishibori, Kailua, HI (US);
Matthew Dean Rohrbach, San Francisco, CA (US);
Peter Russell-Clarke, San Francisco, CA (US);
Douglas B. Satzger, Menlo Park, CA (US);
Christopher J. Stringer, Woodside, CA (US);
Eugene Antony Whang, San Francisco, CA (US);
Rico Zörkendörfer, San Francisco, CA (US)

(56) **References Cited**

U.S. PATENT DOCUMENTS

2,521,423 A 9/1950 Stuck
D306,519 S 3/1990 Nakata

(Continued)

FOREIGN PATENT DOCUMENTS

CN 3513646D 3/2006
CN 3543434D 7/2006
CN 300738882 1/2008

OTHER PUBLICATIONS

Saytes, "Saytes: Tecnologia sumergible," Saytes.es, accessed at http://www.saytes.es/product_info.php?products_id=494 retrieved Feb. 18, 2009, 2 pages.

Primary Examiner — Prabhakar Deshmukh

(74) *Attorney, Agent, or Firm* — Sterne, Kessler, Goldstein & Fox P.L.L.C.

(73) Assignee: **Apple Inc.**, Cupertino, CA (US)

(*) Notice: This patent is subject to a terminal disclaimer.

(**) Term: **14 Years**

(21) Appl. No.: **29/468,988**

(22) Filed: **Oct. 4, 2013**

Related U.S. Application Data

(63) Continuation of application No. 29/430,107, filed on Aug. 21, 2012, now Pat. No. Des. 691,176, which is a continuation of application No. 29/404,435, filed on Oct. 20, 2011, now Pat. No. Des. 665,819, which is a (Continued)

(51) **LOC (10) Cl.** **14-03**

(52) **U.S. Cl.**
USPC **D14/496**; D14/203.1

(58) **Field of Classification Search**
USPC D14/496, 401, 435, 474, 483, 217, 137,
D14/138, 160, 168, 356, 203.1–203.8, 507;
345/156, 169, 173–179, 905;
715/727–729, 864; 710/1, 5, 8; 713/1,
713/600; 455/1.1, 1.7, 73, 344–347, 93, 95,

(57) **CLAIM**

The ornamental design for an electronic device, as shown and described.

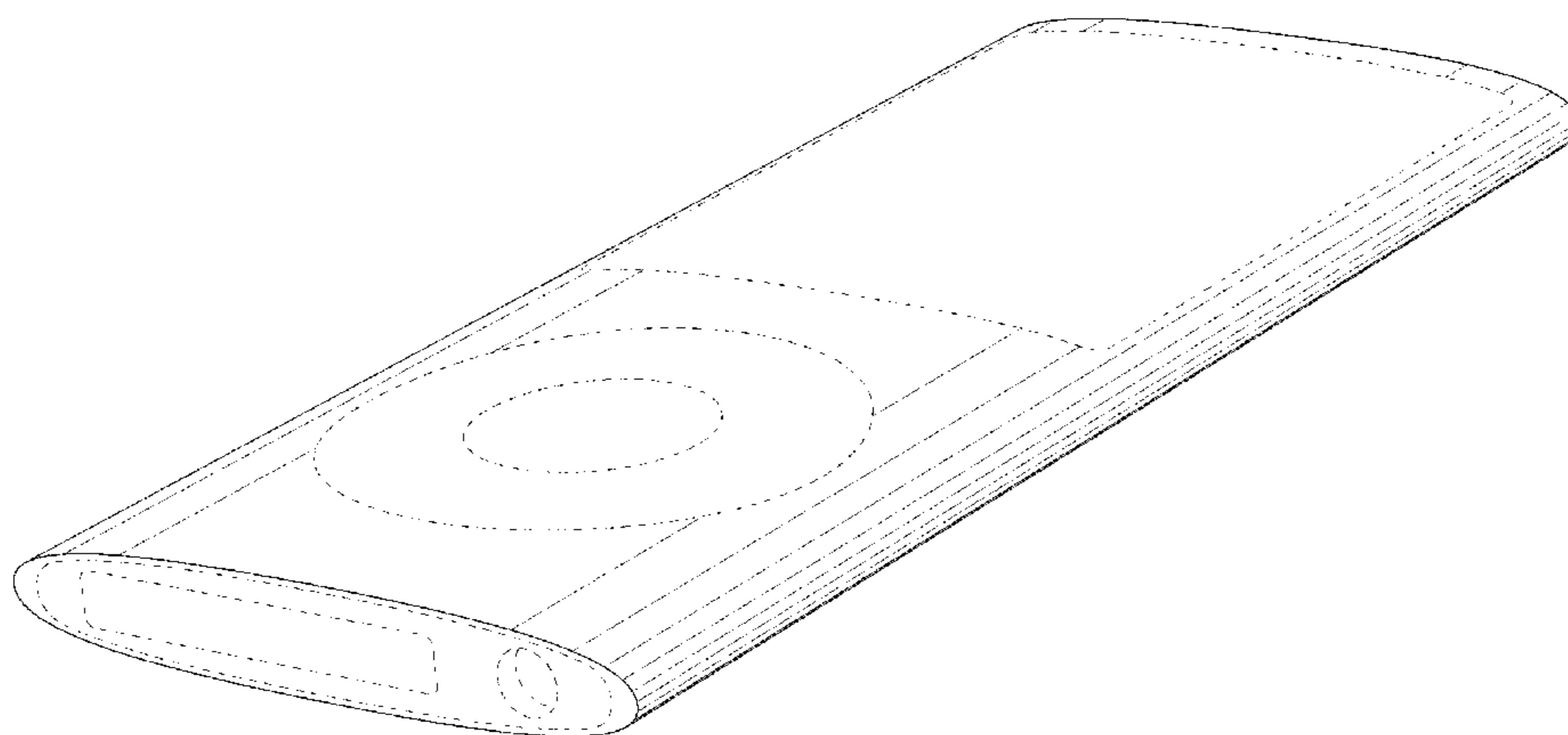
DESCRIPTION

FIG. 1 is a bottom front perspective view of an electronic device showing our new design;
FIG. 2 is a bottom rear perspective view thereof;
FIG. 3 is a top front perspective view thereof;
FIG. 4 is a front view thereof;
FIG. 5 is a rear view thereof;
FIG. 6 is a left side view thereof;
FIG. 7 is a right side view thereof;
FIG. 8 is a top view thereof; and,
FIG. 9 is a bottom view thereof.

The shade lines in the Figures show contour and not surface ornamentation.

The broken lines in the Figures show portions of the electronic device which form no part of the claimed design. The dot dash lines show an unclaimed boundary and form no part of the claimed design.

1 Claim, 5 Drawing Sheets



Related U.S. Application Data

continuation of application No. 29/324,261, filed on Sep. 9, 2006, now Pat. No. Des. 648,703, and a continuation of application No. 29/386,815, filed on Mar. 4, 2011, now Pat. No. Des. 647,876, said application No. 29/324,261 is a continuation-in-part of application No. 29/324,128, filed on Sep. 5, 2008, now Pat. No. Des. 604,713, said application No. 29/386,815 is a continuation of application No. 29/375,893, filed on Sep. 29, 2010, now Pat. No. Des. 635,123, which is a continuation of application No. 29/361,165, filed on May 6, 2010, now Pat. No. Des. 626,530, which is a continuation of application No. 29/350,739, filed on Nov. 23, 2009, now Pat. No. Des. 616,863, which is a continuation of application No. 29/324,136, filed on Sep. 6, 2008, now Pat. No. Des. 604,714, which is a continuation of application No. 29/324,128, filed on Sep. 5, 2008, now Pat. No. Des. 604,713.

(56)

References Cited

U.S. PATENT DOCUMENTS

| | | | | |
|-----------|-----|---------|-----------------|-----------|
| 5,414,444 | A * | 5/1995 | Britz | 345/156 |
| D381,663 | S | 7/1997 | Friis | |
| D396,860 | S | 8/1998 | Yasutomi | |
| D425,885 | S | 5/2000 | Amron | |
| 6,122,526 | A | 9/2000 | Parulski et al. | |
| D432,523 | S | 10/2000 | Grinkus et al. | |
| D438,525 | S | 3/2001 | Katayama | |
| D441,735 | S * | 5/2001 | Katayama | D14/203.7 |
| D446,499 | S | 8/2001 | Andre et al. | |
| D469,109 | S | 1/2003 | Andre et al. | |
| D473,207 | S | 4/2003 | Tanio | |
| D489,052 | S | 4/2004 | Shiraki et al. | |
| D497,618 | S | 10/2004 | Andre et al. | |

| | | | | |
|-----------|------|---------|------------------|-----------|
| D502,677 | S | 3/2005 | Baum | |
| D503,409 | S | 3/2005 | Wong et al. | |
| D506,476 | S | 6/2005 | Andre et al. | |
| D516,576 | S | 3/2006 | Ive et al. | |
| D516,579 | S | 3/2006 | Nakamura | |
| 7,013,164 | B2 | 3/2006 | Lin | |
| D518,290 | S | 4/2006 | Andre et al. | |
| 7,046,230 | B2 | 5/2006 | Zadesky et al. | |
| D525,987 | S | 8/2006 | Kim | |
| D529,512 | S | 10/2006 | Reawsanguanwong | |
| D533,565 | S * | 12/2006 | Kim | D14/203.7 |
| D538,820 | S | 3/2007 | Andre et al. | |
| D539,814 | S | 4/2007 | Andre et al. | |
| D541,298 | S | 4/2007 | Andre et al. | |
| 7,230,822 | B2 | 6/2007 | Langberg et al. | |
| D547,349 | S | 7/2007 | Sakaguchi et al. | |
| D548,744 | S | 8/2007 | Andre et al. | |
| D548,745 | S | 8/2007 | Andre et al. | |
| D550,714 | S | 9/2007 | Ferraboshi | |
| 7,281,214 | B2 * | 10/2007 | Fadell | 715/745 |
| D555,169 | S | 11/2007 | Shimizu et al. | |
| D565,596 | S | 4/2008 | Kim | |
| D568,338 | S | 5/2008 | Andre et al. | |
| D570,872 | S | 6/2008 | Niizawa et al. | |
| D570,876 | S | 6/2008 | Lee | |
| D574,014 | S | 7/2008 | Dai | |
| D580,953 | S | 11/2008 | Andre et al. | |
| D586,740 | S | 2/2009 | Song | |
| D591,766 | S | 5/2009 | Andre et al. | |
| D593,994 | S | 6/2009 | Andre et al. | |
| D604,713 | S | 11/2009 | Andre et al. | |
| D604,714 | S | 11/2009 | Andre et al. | |
| 7,627,343 | B2 | 12/2009 | Fadell et al. | |
| D616,863 | S | 6/2010 | Andre et al. | |
| D622,696 | S | 8/2010 | Akana et al. | |
| D626,530 | S | 11/2010 | Andre et al. | |
| D635,123 | S | 3/2011 | Andre et al. | |
| D647,876 | S | 11/2011 | Andre et al. | |
| D648,703 | S | 11/2011 | Andre et al. | |

* cited by examiner

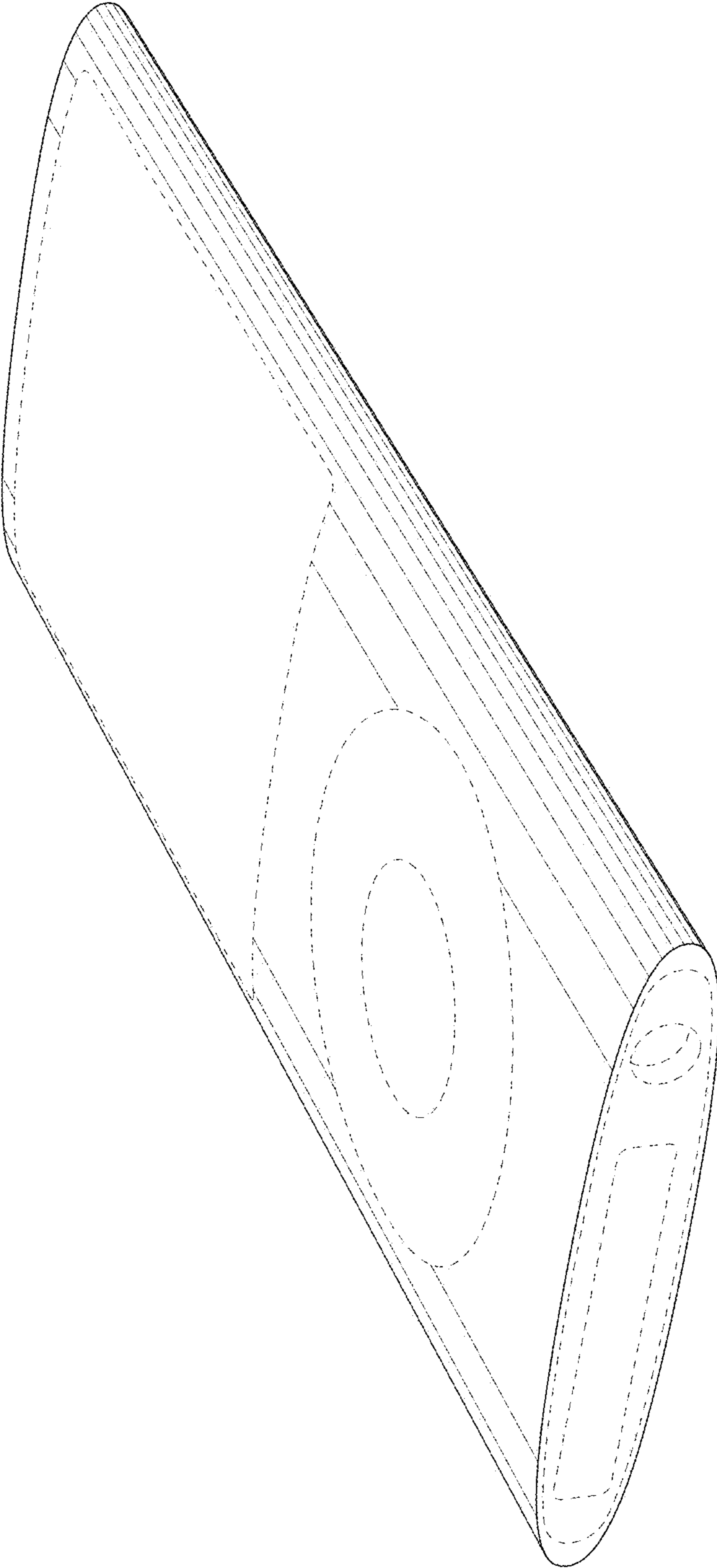


FIG. 1

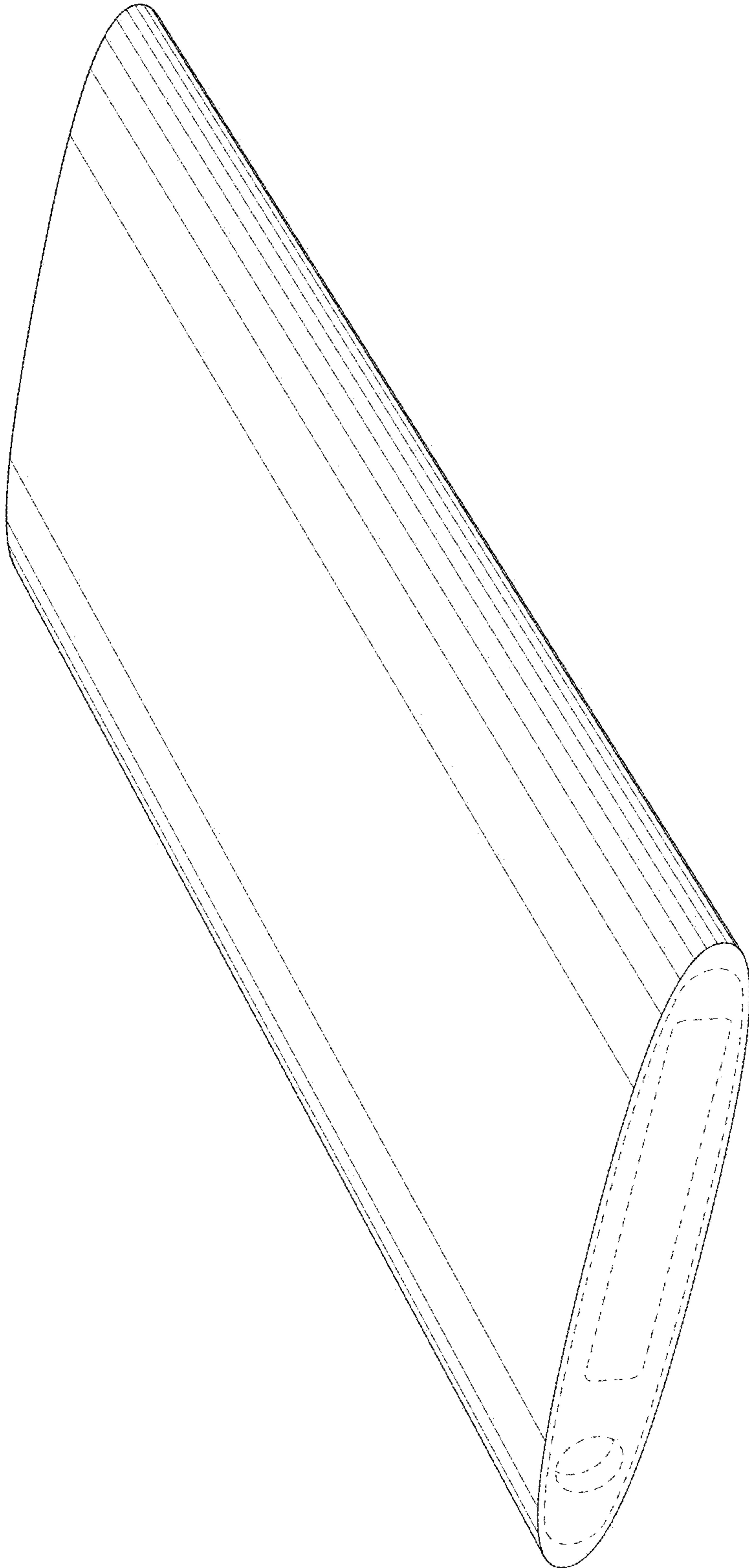


FIG. 2

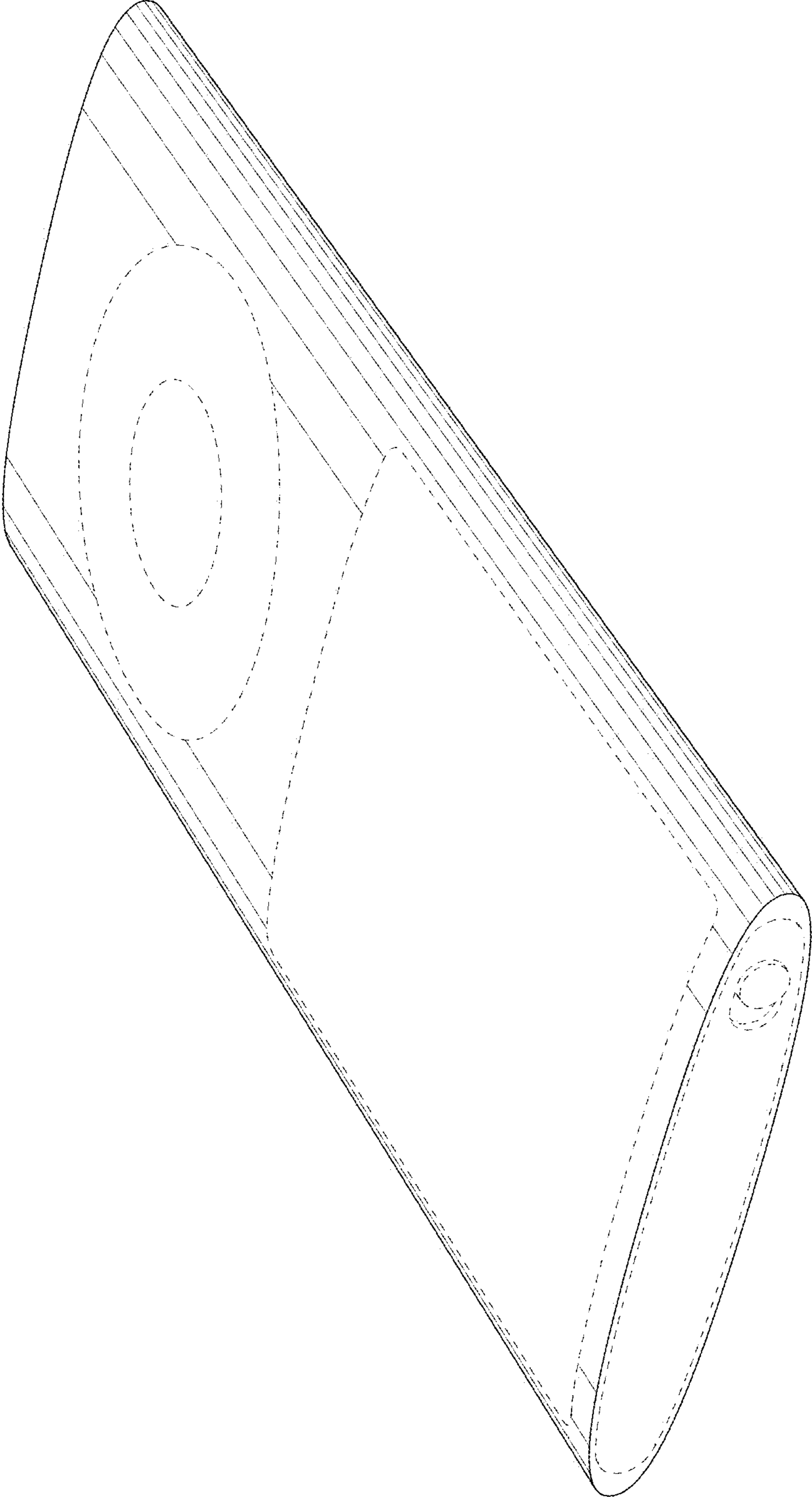


FIG. 3

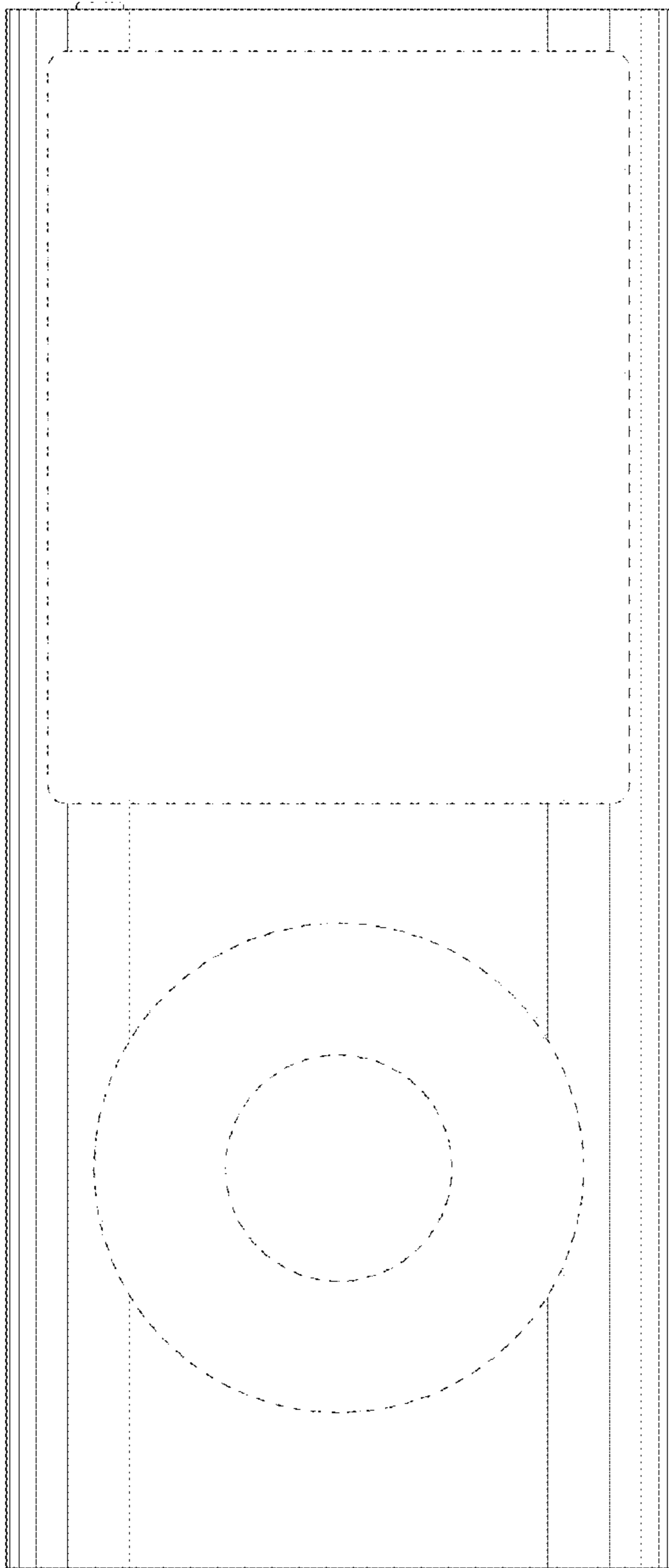


FIG. 4

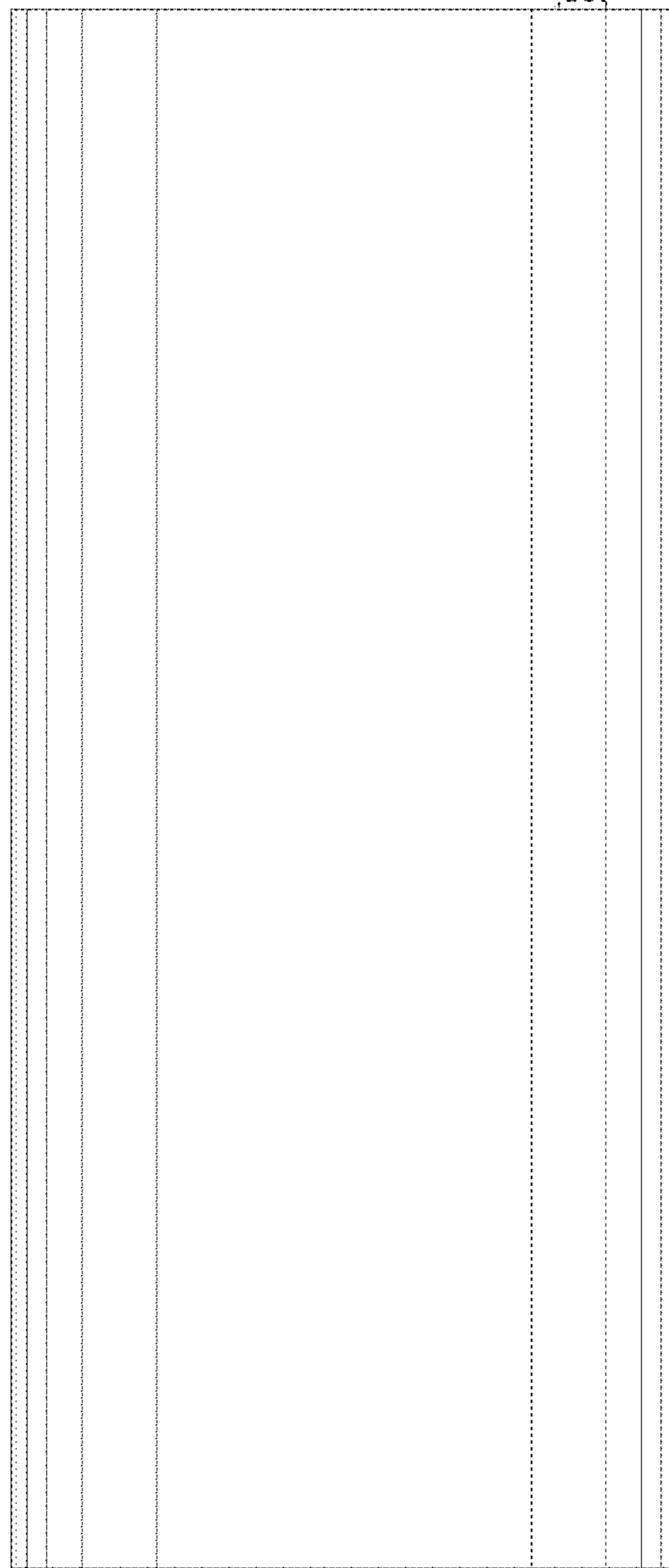


FIG. 5

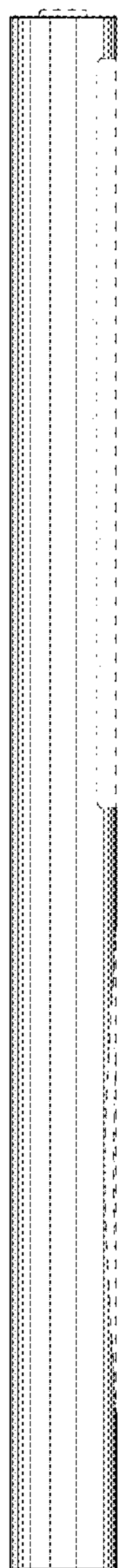


FIG. 6

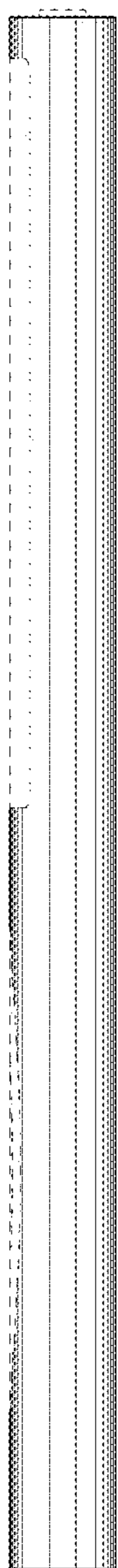


FIG. 7

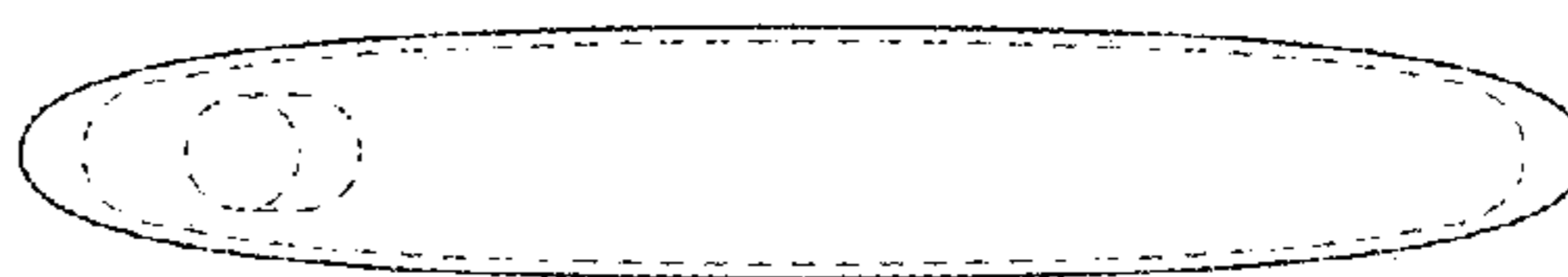


FIG. 8

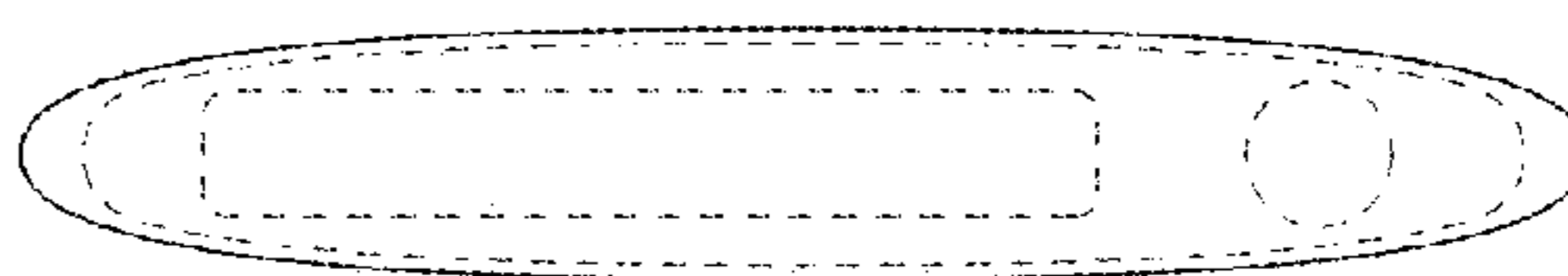


FIG. 9