



US00D724096S

(12) **United States Design Patent**
Huang

(10) **Patent No.:** **US D724,096 S**
(45) **Date of Patent:** **** Mar. 10, 2015**

(54) **FLASH DRIVE HOUSING WITH A SNAP HOOK**

(71) Applicant: **Ho E Screw & Hardware Co. Ltd.**,
Taoyuan (TW)

(72) Inventor: **Joseph Huang**, Taoyuan (TW)

(73) Assignee: **Ho E Screw & Hardware Co., Ltd.**,
Taoyuan (TW)

(**) Term: **14 Years**

(21) Appl. No.: **29/481,926**

(22) Filed: **Feb. 12, 2014**

(30) **Foreign Application Priority Data**

Sep. 2, 2013 (TW) 102305860

(51) **LOC (10) Cl.** **14-02**

(52) **U.S. Cl.**
USPC **D14/480.3; D3/208**

(58) **Field of Classification Search**
CPC H05K 5/0278; G06K 19/07732
USPC D14/411, 433, 435.1, 436, 480.1-480.7,
D14/484.1, 137, 155, 203.1-203.8, 240,
D14/242; D13/133, 154; D3/201, 207, 208,
D3/273

See application file for complete search history.

(56) **References Cited**

U.S. PATENT DOCUMENTS

D513,000	S	*	12/2005	Cohen	D14/480.3
D524,038	S	*	7/2006	Leung	D3/208
D606,078	S	*	12/2009	Chen	D14/480.6
7,883,353	B2	*	2/2011	Hao et al.	439/358
D633,909	S	*	3/2011	Heath et al.	D14/356
D640,263	S	*	6/2011	Huang	D14/480.3
8,081,483	B2	*	12/2011	Huang	361/752
D655,709	S	*	3/2012	Huang	D14/480.3

8,179,669	B2	*	5/2012	Huang	361/679.31
8,192,211	B1	*	6/2012	Huang	439/131
D662,941	S	*	7/2012	Emami	D14/480.3
D672,361	S	*	12/2012	Huang	D14/480.3
8,542,483	B2	*	9/2013	Huang	361/679.32
8,760,876	B2	*	6/2014	Huang	361/737
D709,513	S	*	7/2014	Huang	D14/480.3
2004/0145878	A1	*	7/2004	Wang	361/785
2012/0239836	A1	*	9/2012	Enayati	710/74
2013/0182386	A1	*	7/2013	Emami	361/679.32
2013/0327183	A1	*	12/2013	Tai-Kao	81/3.09
2014/0211407	A1	*	7/2014	Huang	361/679.32

OTHER PUBLICATIONS

TechPowerUp :: A-Data S805 Flash Drive Review, [online] Jul. 14, 2009 [retrieved on Aug. 7, 2009]. Retrieved from the Internet <URL: http://www.techpowerup.com/reviews/AData/S805_Flash_Drive/>.*

HP v250w 16GB 16G USB Flash Pen Drive Disk Metal, [online], [retrieved on Mar. 26, 2013]. Retrieved from the Internet <URL: http://stores.ebay.com/2ronz/USB-Flash-Drive-/_i.html?_fsb=2167100>.*

* cited by examiner

Primary Examiner — Karen E Kearney

(74) *Attorney, Agent, or Firm* — Guice Patents PLLC

(57) **CLAIM**

The ornamental design for a flash drive housing with a snap hook, as shown and described.

DESCRIPTION

FIG. 1 is a perspective view of a flash drive housing with a snap hook;

FIG. 2 is a front view thereof;

FIG. 3 is a rear view thereof;

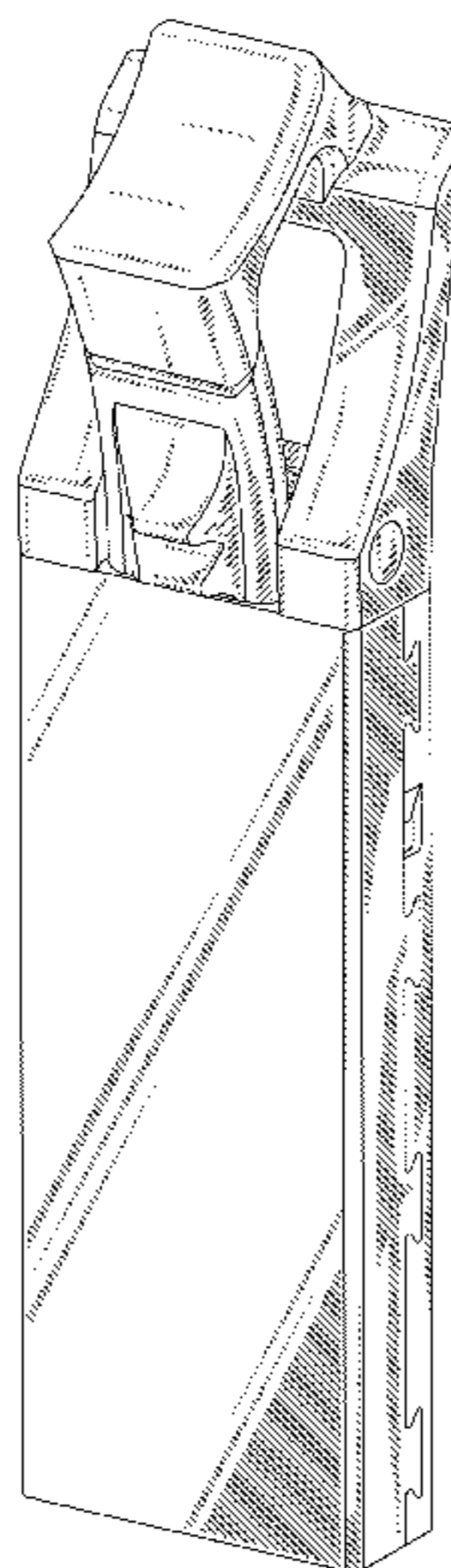
FIG. 4 is a left side view thereof;

FIG. 5 is a right side view thereof;

FIG. 6 is a top view thereof; and,

FIG. 7 is a bottom view thereof.

1 Claim, 7 Drawing Sheets



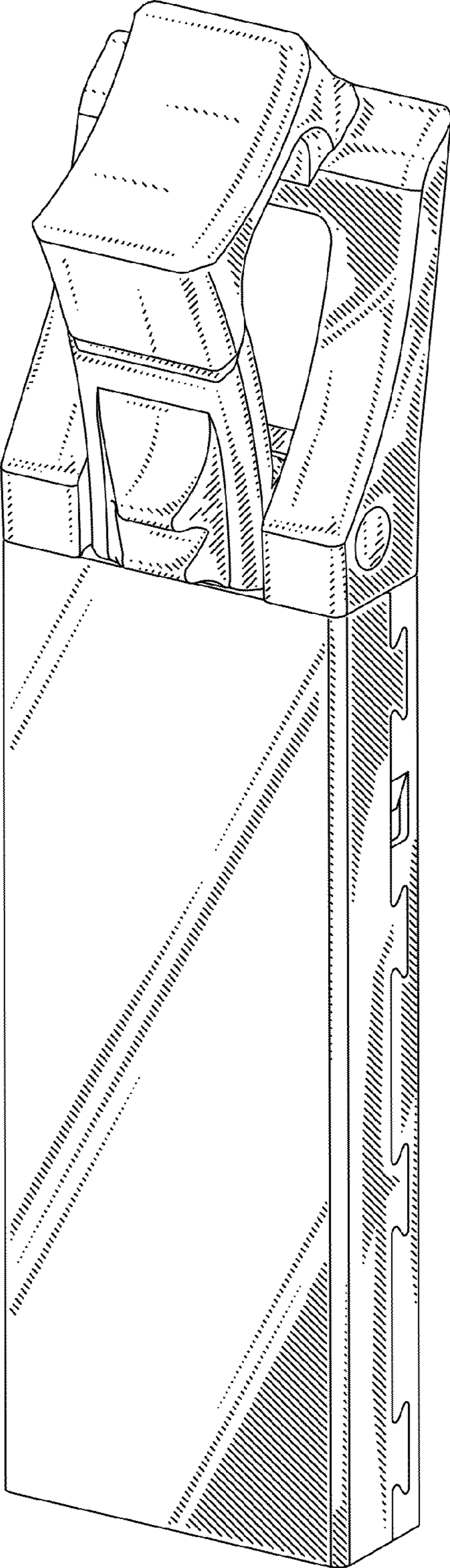


FIG. 1

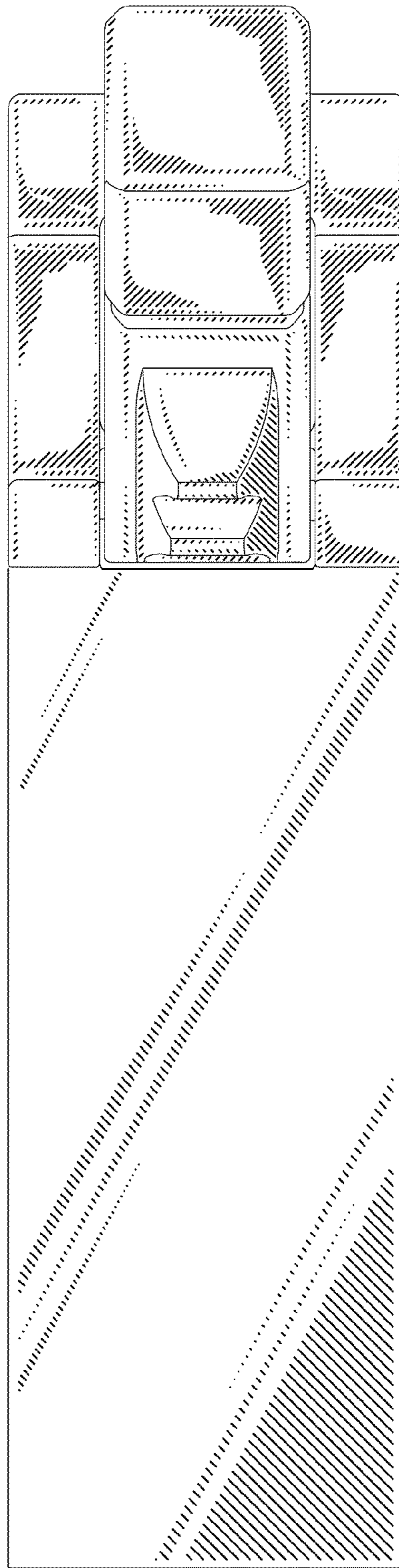


FIG. 2

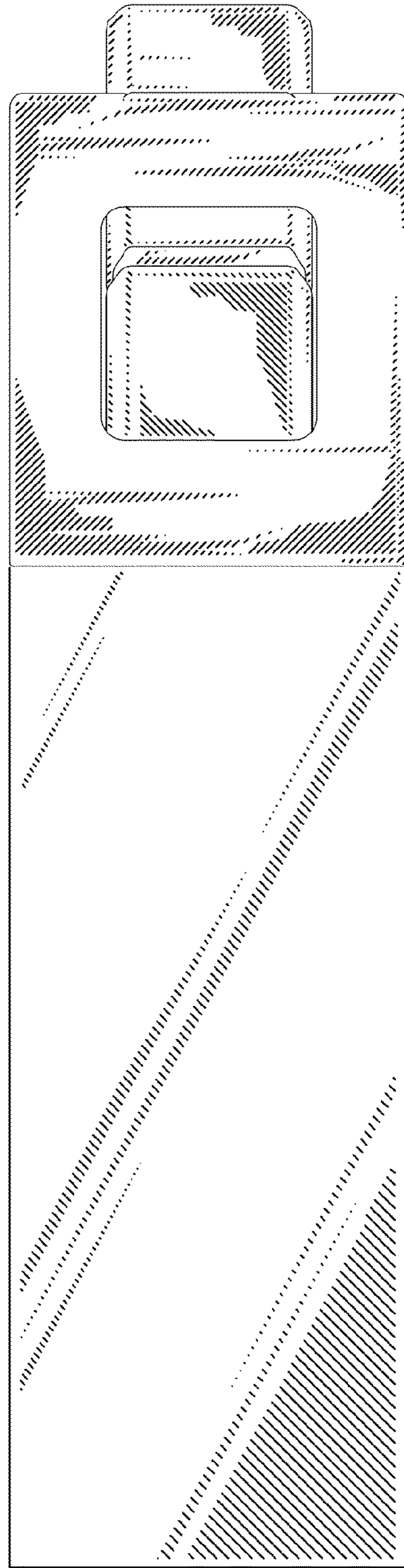


FIG. 3

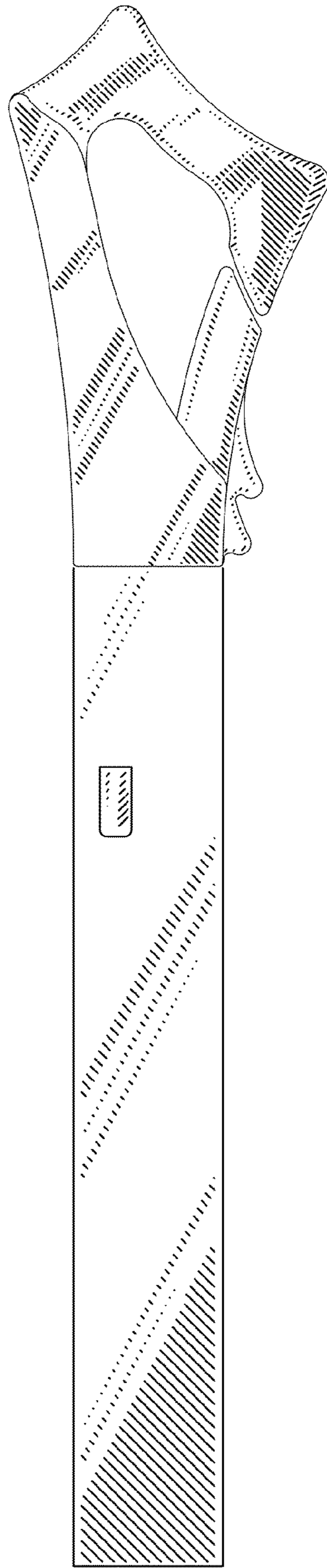


FIG. 4

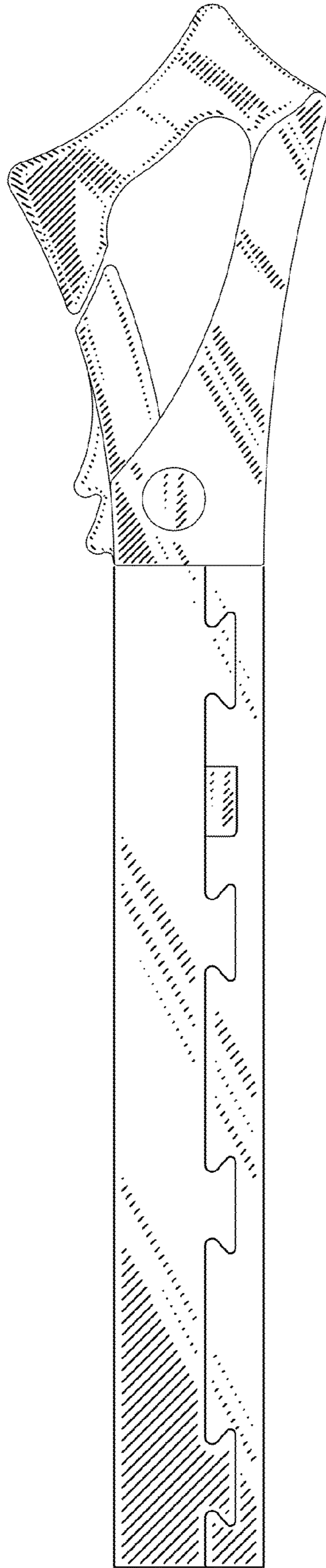


FIG. 5

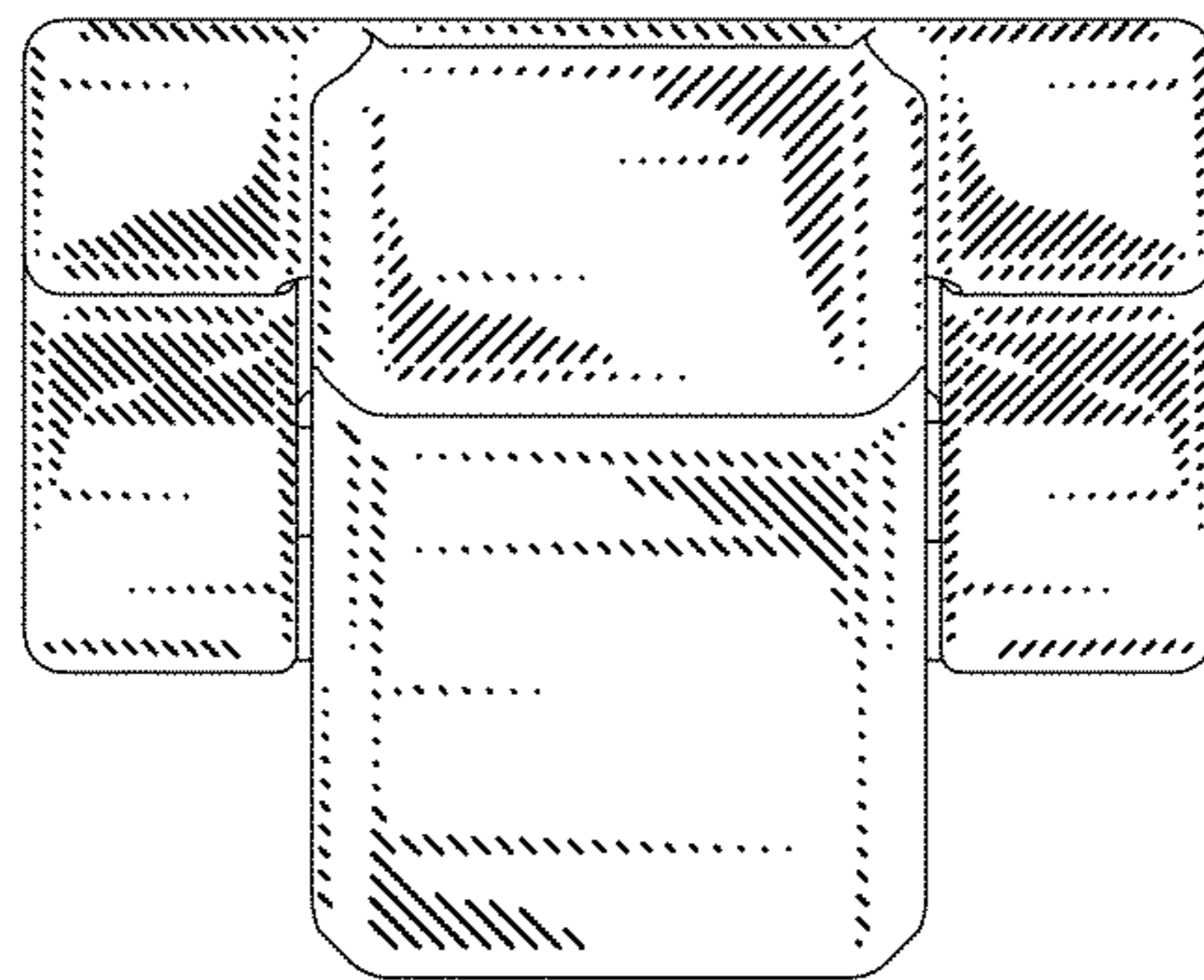


FIG. 6

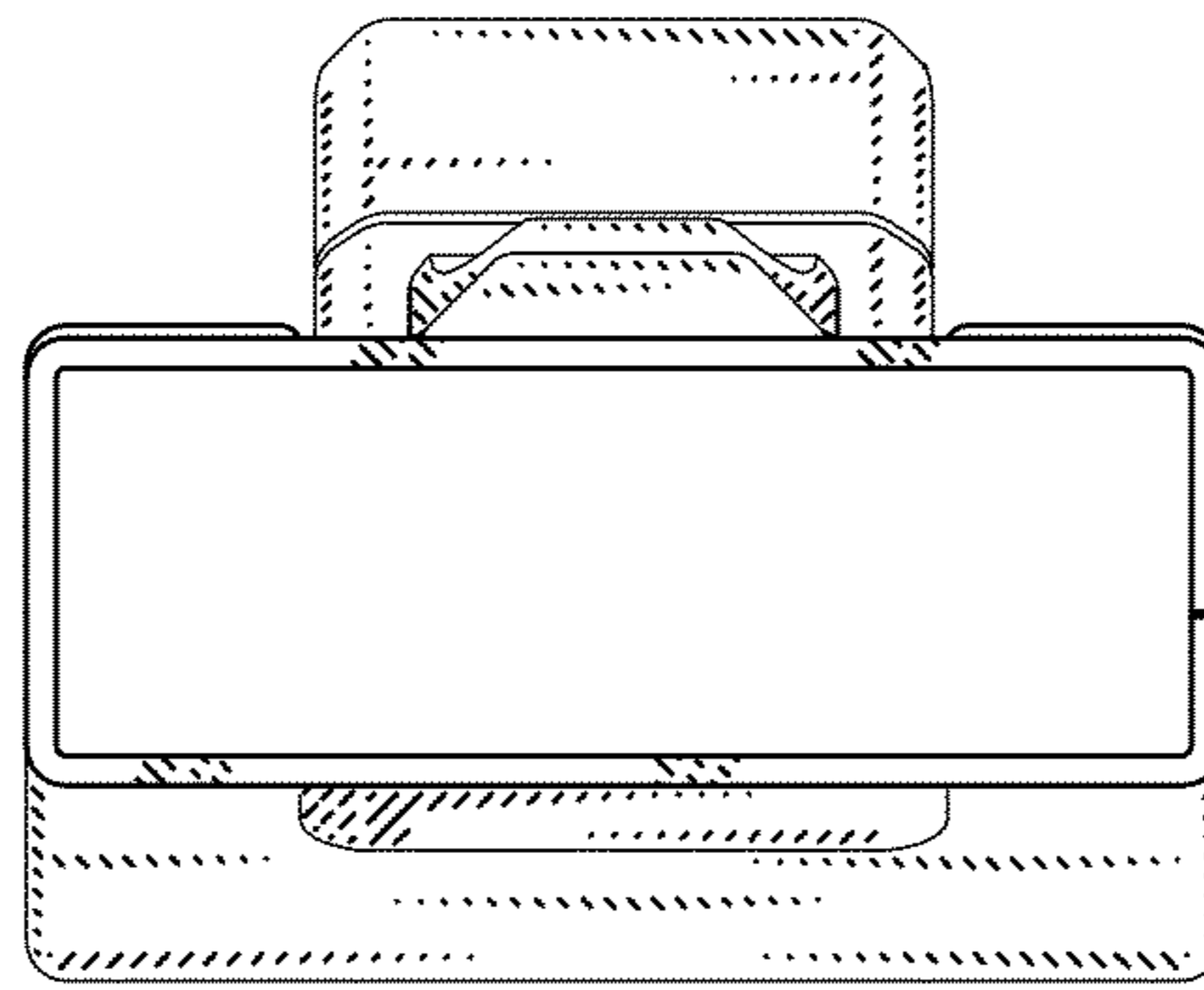


FIG. 7