



US00D724094S

(12) **United States Design Patent**  
**Blochinger et al.**

(10) **Patent No.:** **US D724,094 S**  
(45) **Date of Patent:** **\*\* Mar. 10, 2015**

(54) **CASE FOR ELECTRONIC DEVICE**

(71) Applicant: **Otter Products, LLC**, Fort Collins, CO  
(US)

(72) Inventors: **Alfred Blochinger**, Fort Collins, CO  
(US); **Andrew C. Crawford**, Melbourne  
(AU); **Troy Nyssen**, Melbourne (AU)

(73) Assignee: **Otter Products, LLC**, Fort Collins, CO  
(US)

(\*\*) Term: **14 Years**

(21) Appl. No.: **29/489,317**

(22) Filed: **Apr. 29, 2014**

(51) **LOC (10) Cl.** ..... **14-02**

(52) **U.S. Cl.**  
USPC ..... **D14/440**

(58) **Field of Classification Search**  
USPC ..... D14/250, 251, 253, 240, 217, 496, 440,  
D14/203.3, 203.4, 203.5, 203.8, 341, 318;  
D3/218, 215, 201, 294, 289, 900;  
220/4.02; 248/309.1; 361/679.56;  
379/426, 433.11, 455; 455/575.1,  
455/575.8, 457.1; 190/100; 206/305, 320,  
206/45.2; D21/469; 312/240  
See application file for complete search history.

(56) **References Cited**

**U.S. PATENT DOCUMENTS**

5,456,497	A *	10/1995	Ross, Jr.	281/42
D380,477	S *	7/1997	Williams et al.	D14/250
D426,379	S *	6/2000	Levy et al.	D3/218
D470,840	S *	2/2003	Skjoth	D14/250
D589,699	S *	4/2009	Silvera	D3/218
D600,699	S *	9/2009	Johnston et al.	D14/440
7,717,483	B1 *	5/2010	Bombara	294/172
D632,686	S *	2/2011	Magness et al.	D14/250
D633,504	S *	3/2011	Alexander, Jr.	D14/447
D638,254	S *	5/2011	Barber	D7/354
D643,423	S *	8/2011	Smith et al.	D14/250
D643,433	S *	8/2011	Hsieh et al.	D14/440
D664,130	S *	7/2012	Lee	D14/240

D665,810	S *	8/2012	Jones et al.	D14/440
D665,996	S *	8/2012	Holbrook	D3/276
D669,890	S *	10/2012	Hopkins et al.	D14/251
D678,292	S *	3/2013	Phillips et al.	D14/440
D679,685	S *	4/2013	Cox	D14/250
D682,817	S *	5/2013	Murchison et al.	D14/250
D694,244	S *	11/2013	Magness et al.	D14/440
D696,256	S *	12/2013	Piedra et al.	D14/440
D700,610	S *	3/2014	Deutsch et al.	D14/440
D703,211	S *	4/2014	Weller et al.	D14/440
D703,647	S *	4/2014	Kim	D14/250
D705,767	S *	5/2014	Yoon	D14/250
D709,868	S *	7/2014	Witter et al.	D14/250
8,827,234	B2 *	9/2014	Baker	248/682
2007/0215512	A1 *	9/2007	Bellissimo	206/557
2009/0219677	A1 *	9/2009	Mori et al.	361/679.03
2012/0037523	A1 *	2/2012	Diebel et al.	206/320

\* cited by examiner

*Primary Examiner* — Cynthia Underwood

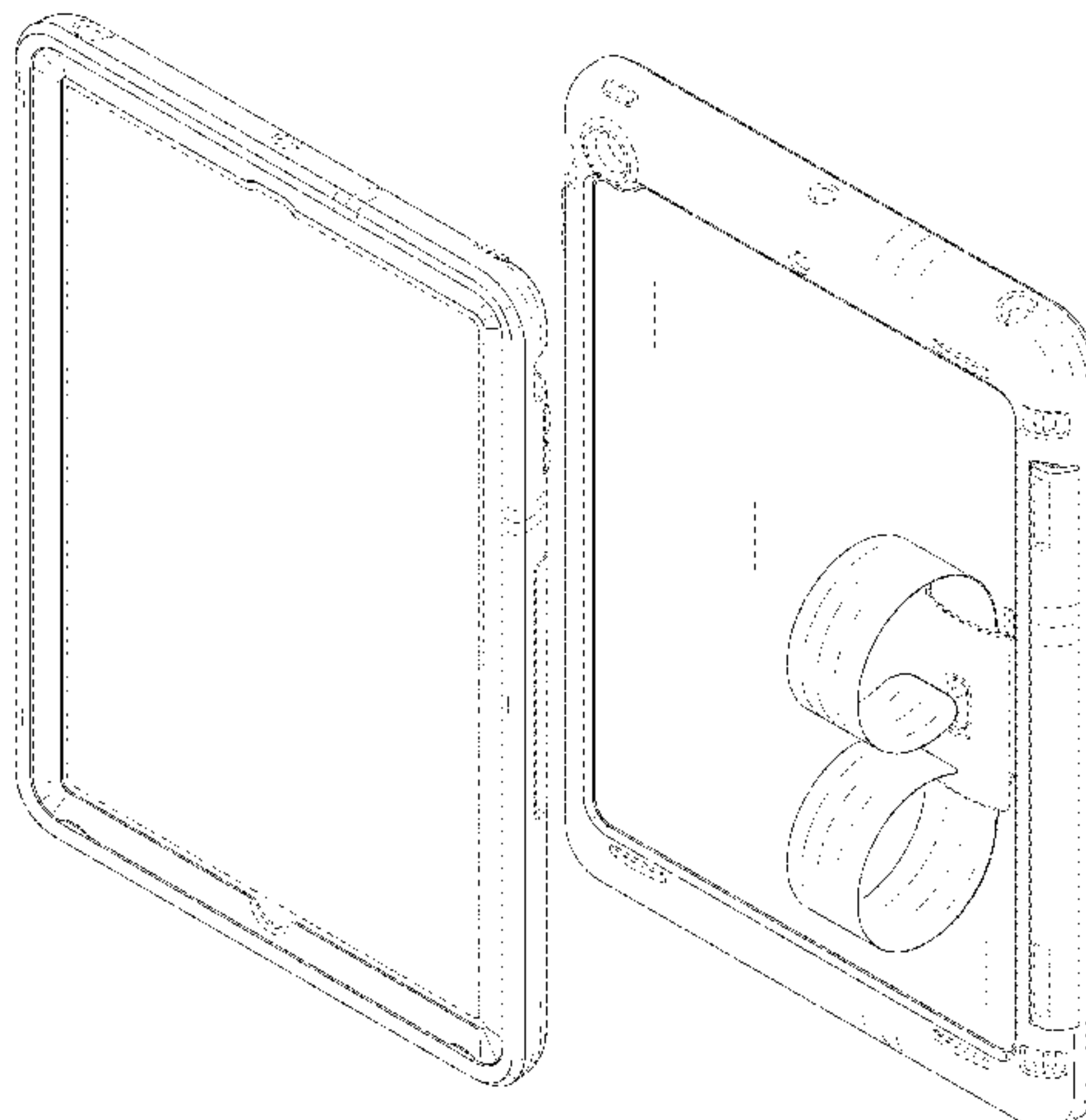
(57) **CLAIM**

The ornamental design for a case for electronic device, as shown and described.

**DESCRIPTION**

FIG. 1 is a first configuration of a front isometric view of a case for electronic device showing our new design;  
FIG. 2 is a rear isometric view thereof;  
FIG. 3 is a front view thereof;  
FIG. 4 is a rear view thereof;  
FIG. 5 is a left view thereof;  
FIG. 6 is a right view thereof;  
FIG. 7 is a top view thereof;  
FIG. 8 is a bottom view thereof;  
FIG. 9 is a second configuration of a rear isometric view of a case for electronic device;  
FIG. 10 is a rear view thereof;  
FIG. 11 is a left view thereof; and,  
FIG. 12 is a bottom view thereof.  
The dot-dash-dot broken lines represent a boundary of the claimed design. The dash-dash-dash broken lines depict unclaimed environment. The broken lines form no part of the claimed design.

**1 Claim, 10 Drawing Sheets**



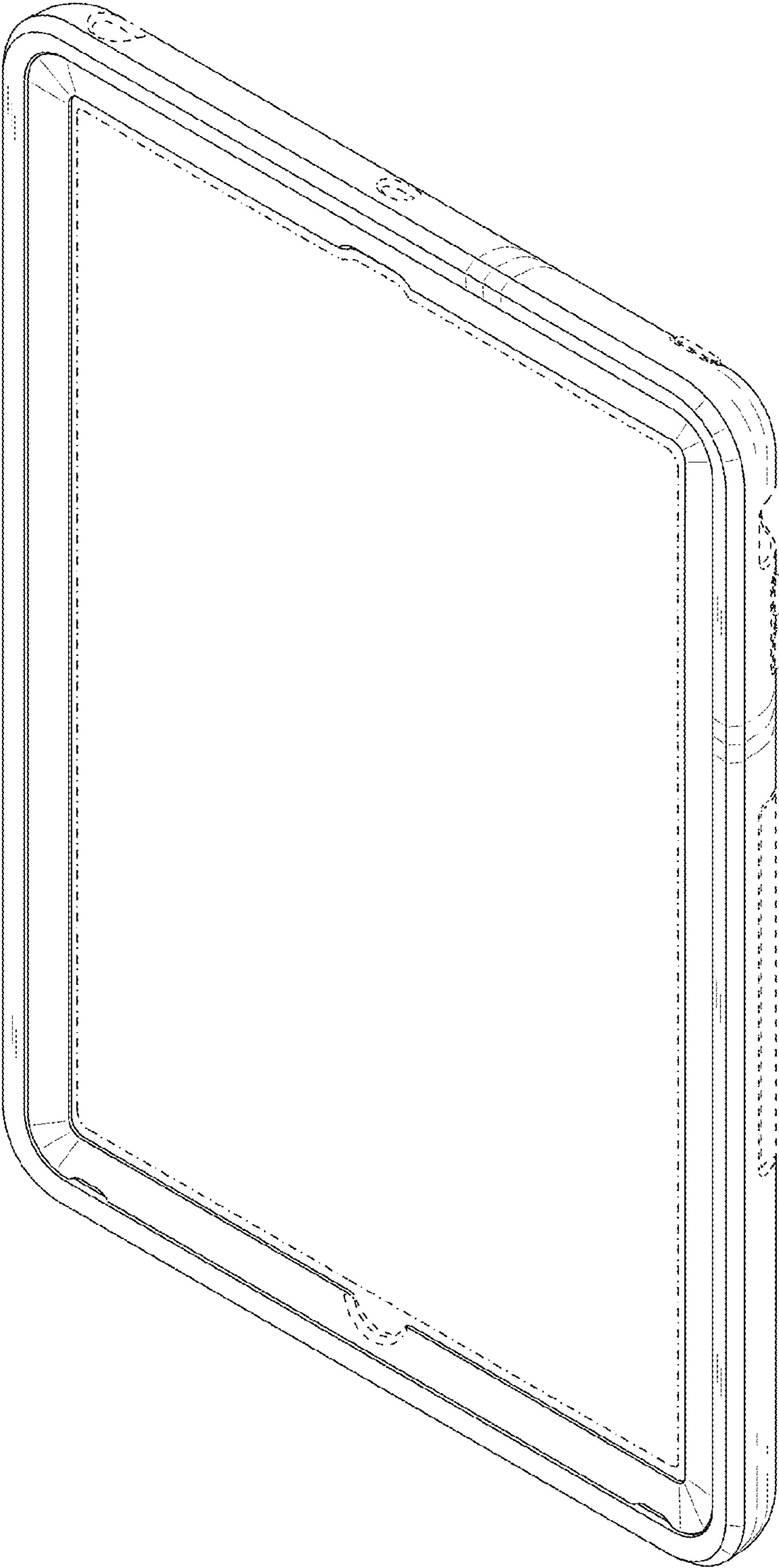


FIG. 1

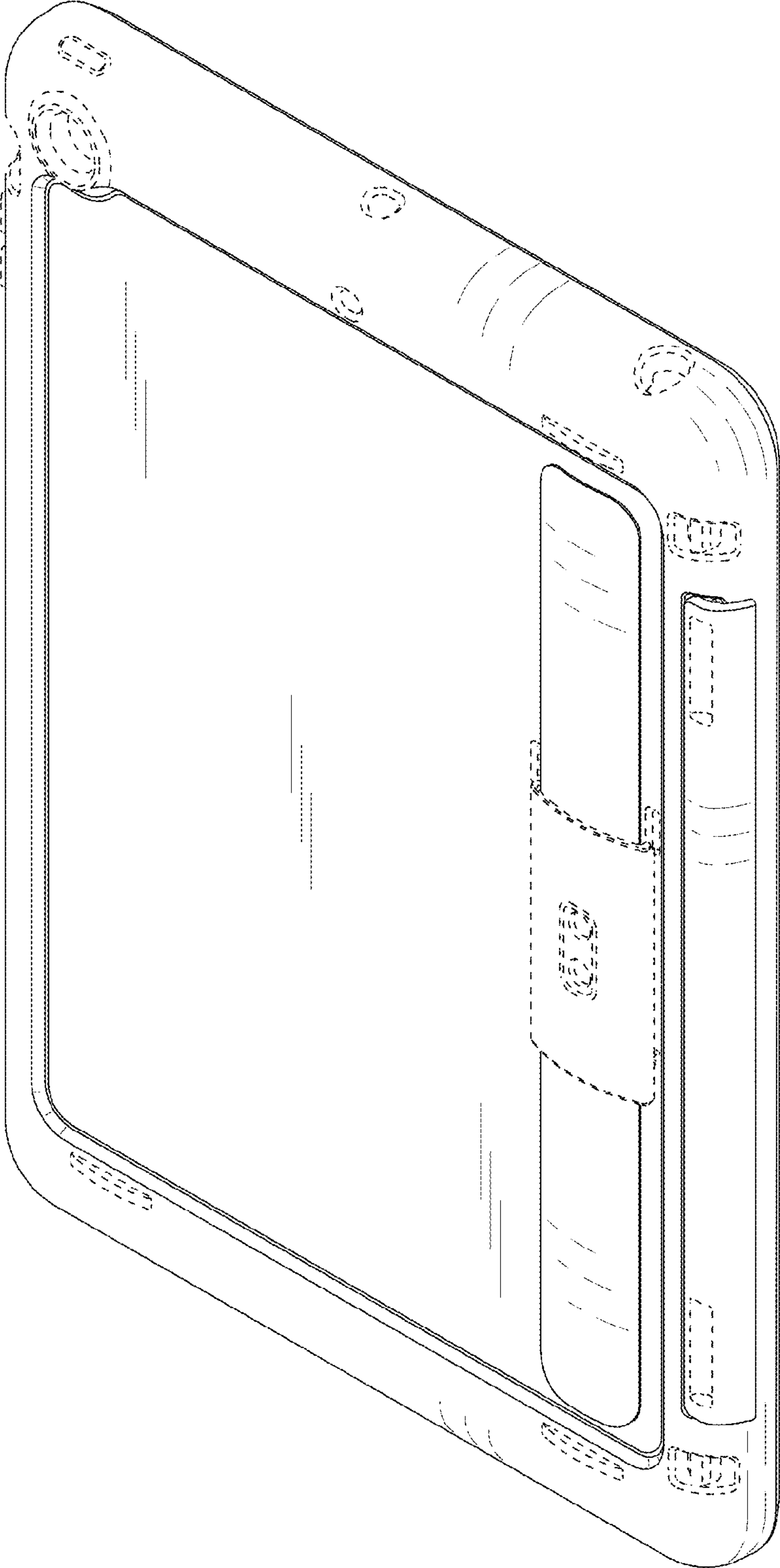


FIG. 2

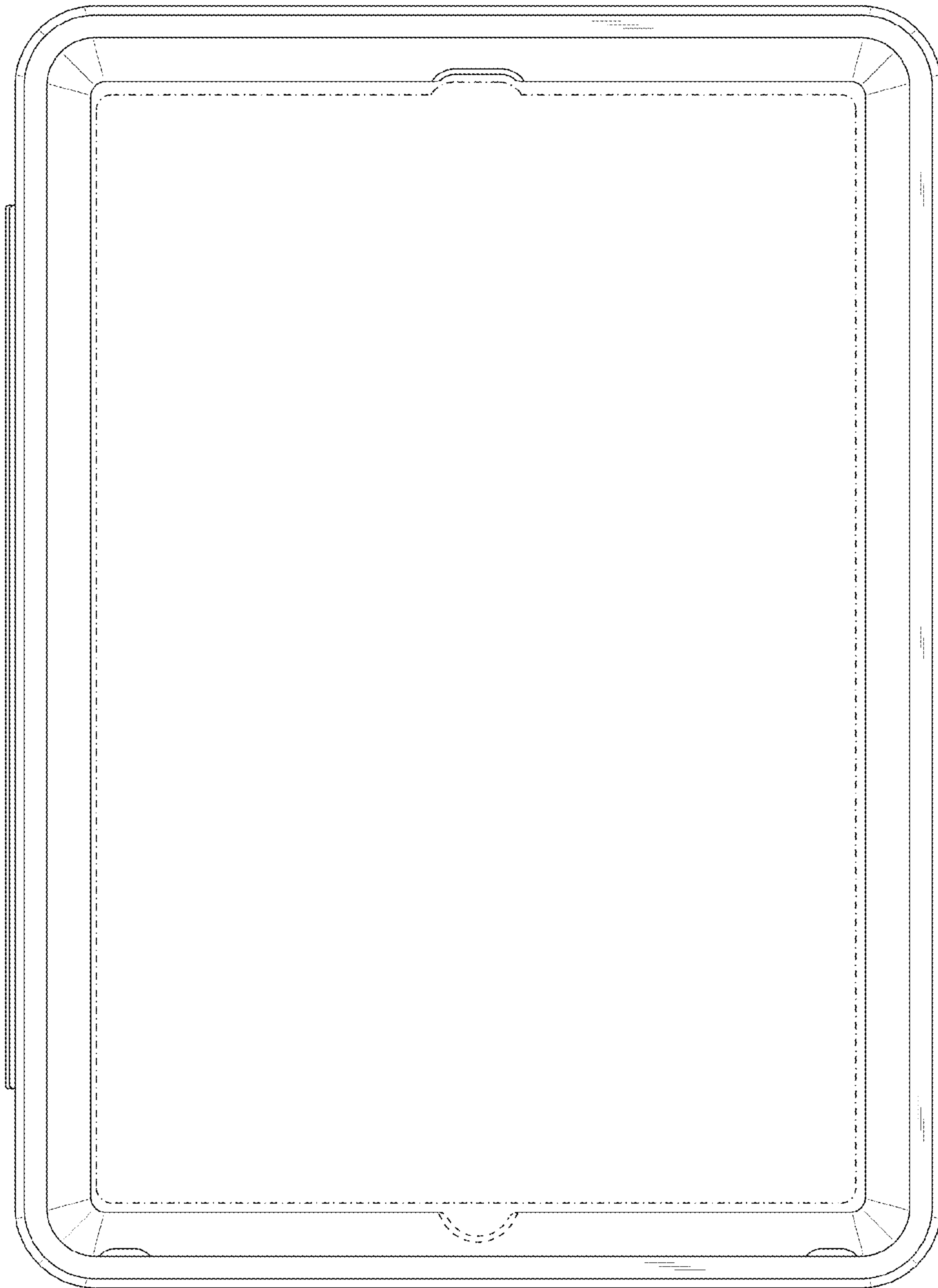


FIG. 3



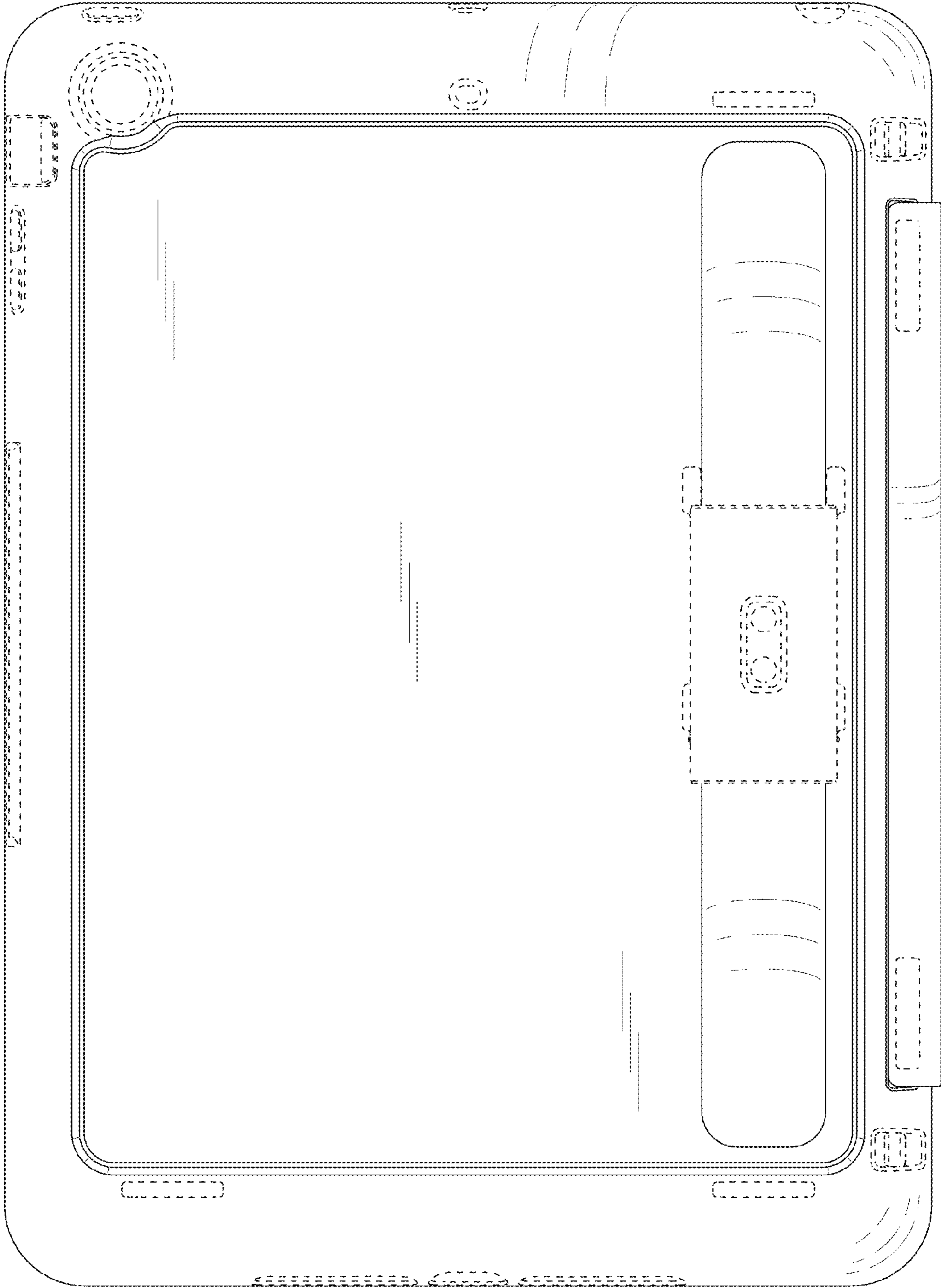


FIG. 4

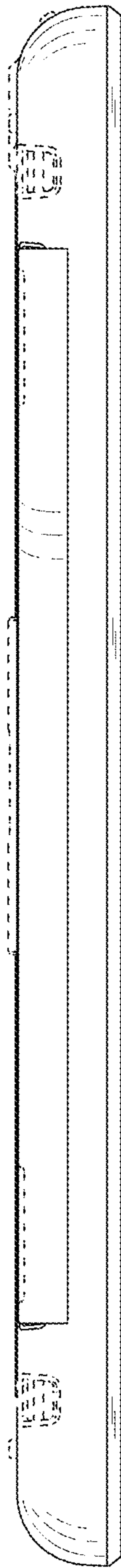


FIG. 5

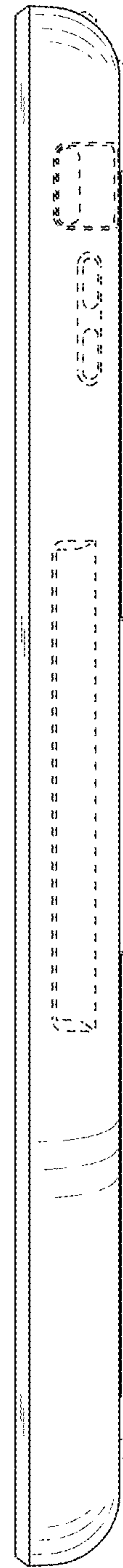


FIG. 6

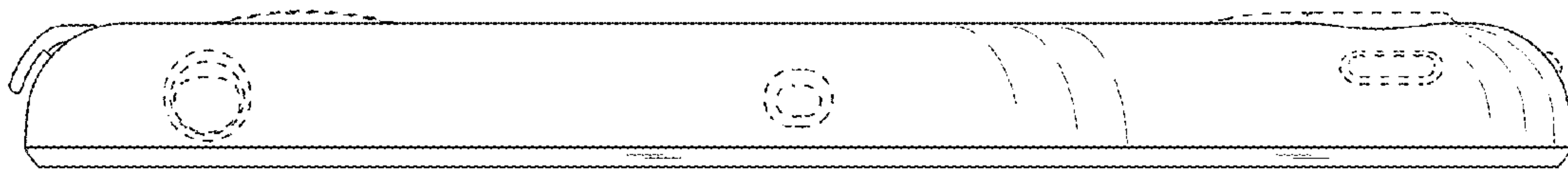


FIG. 7

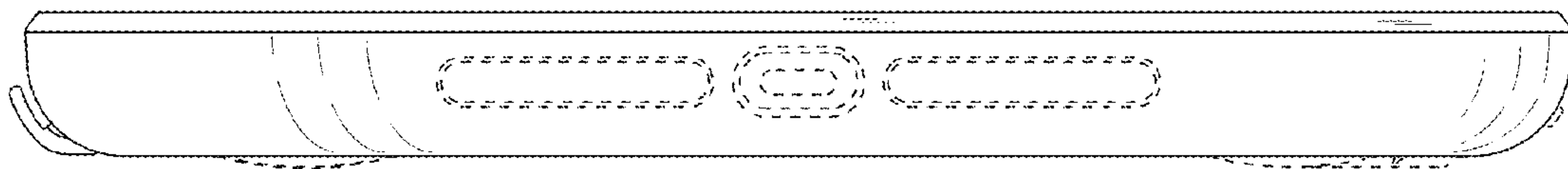


FIG. 8

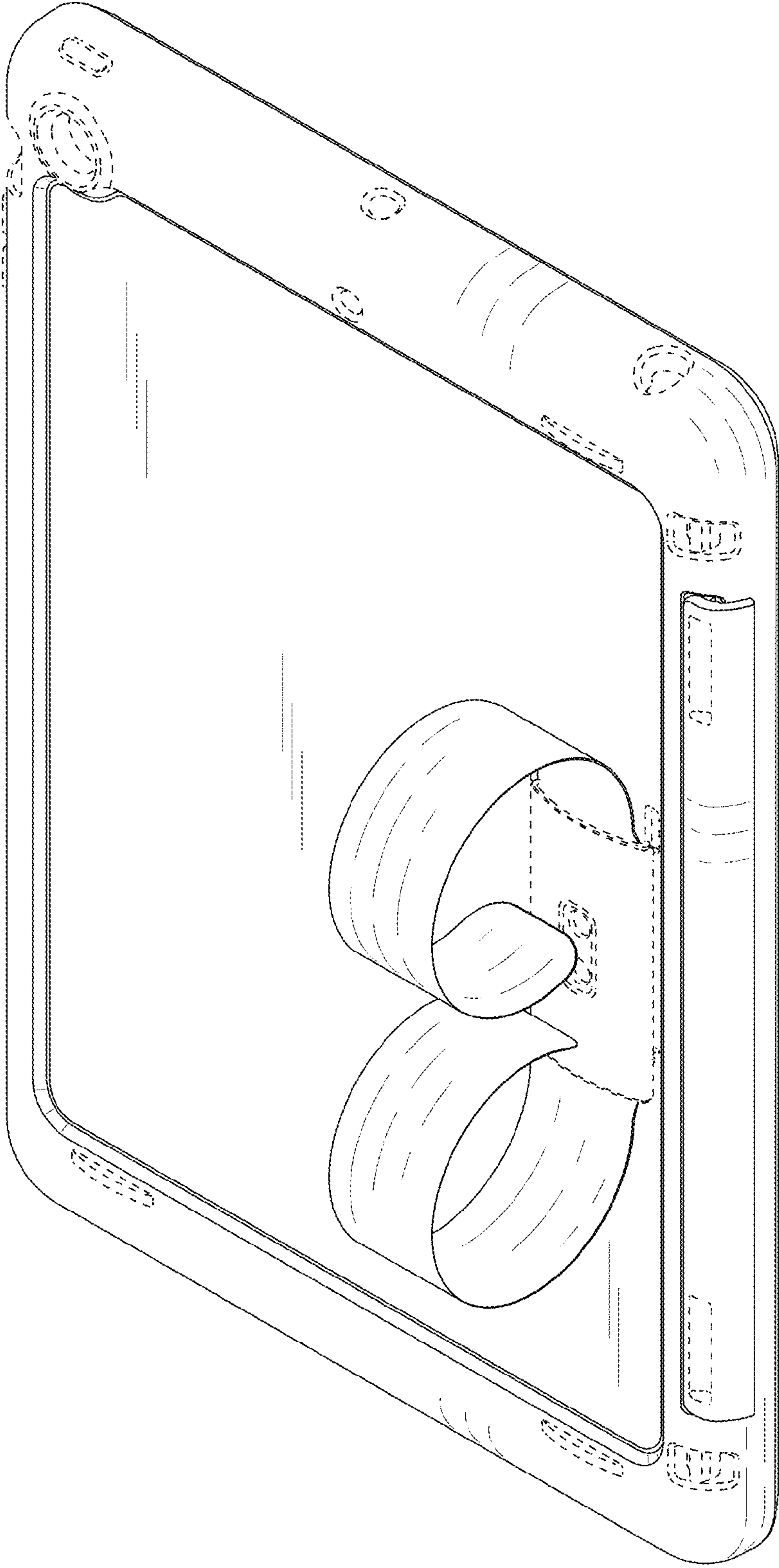


FIG. 9



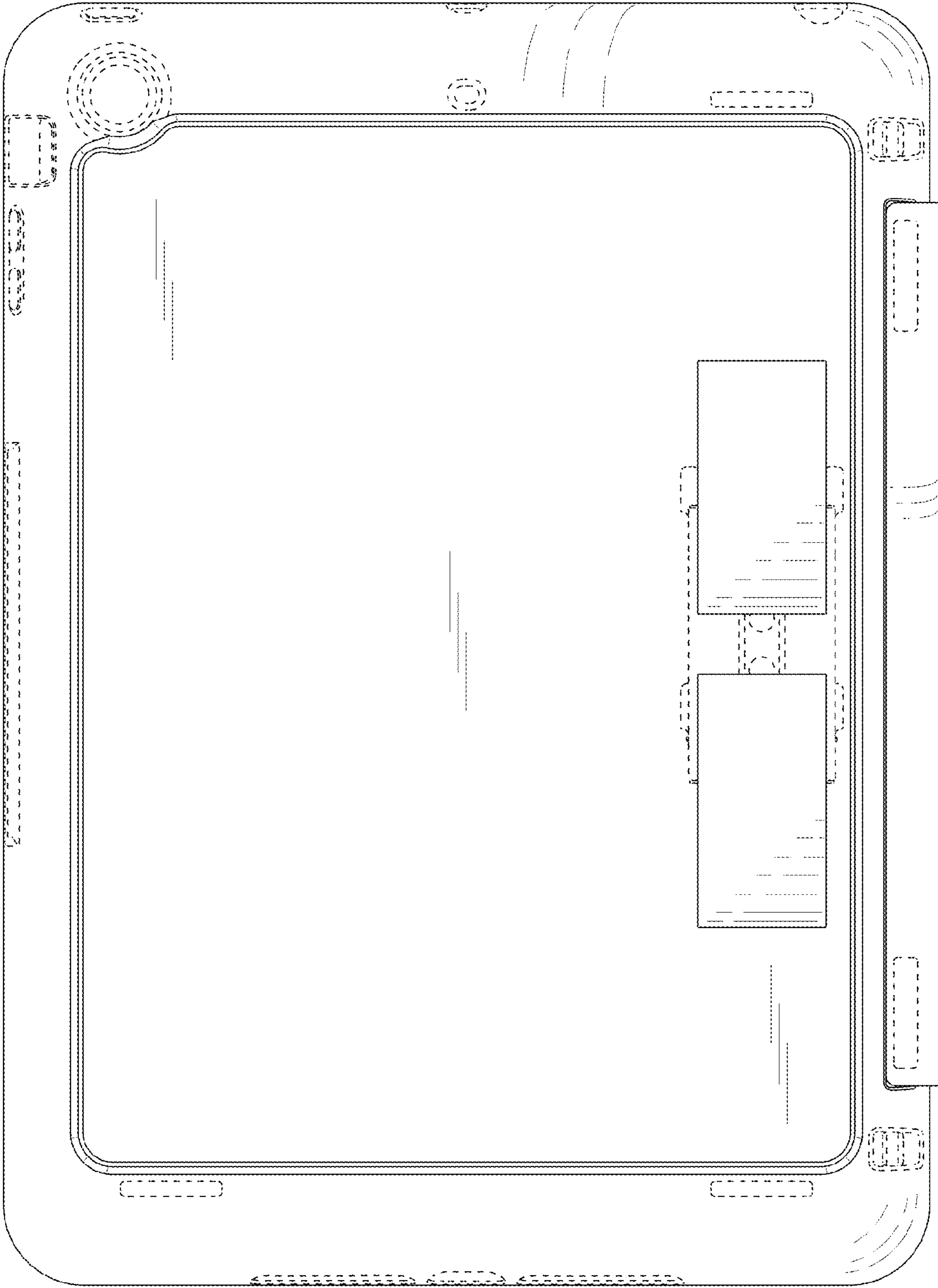


FIG. 10

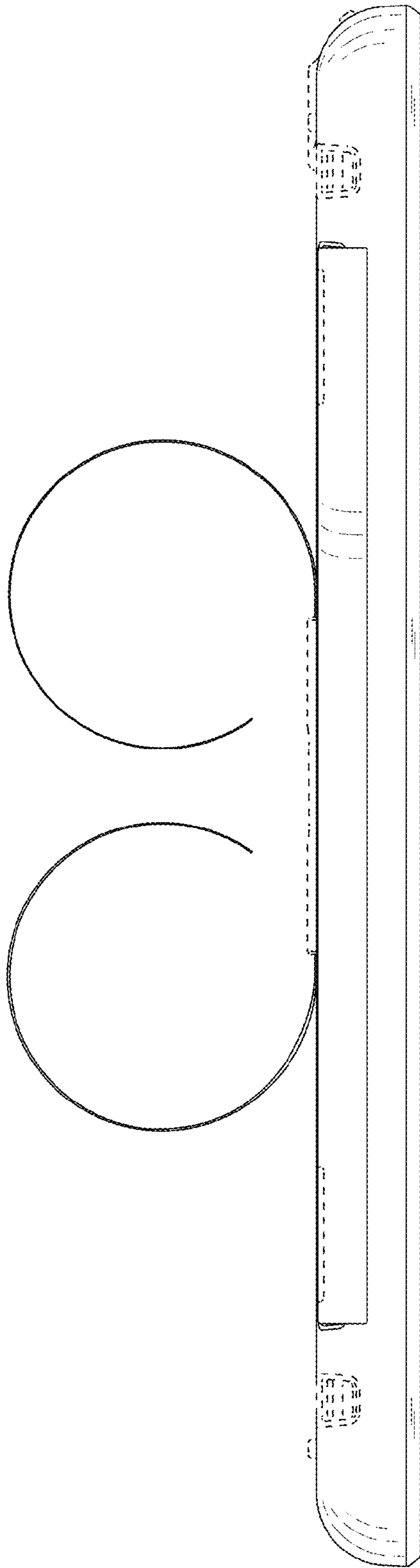


FIG. 11

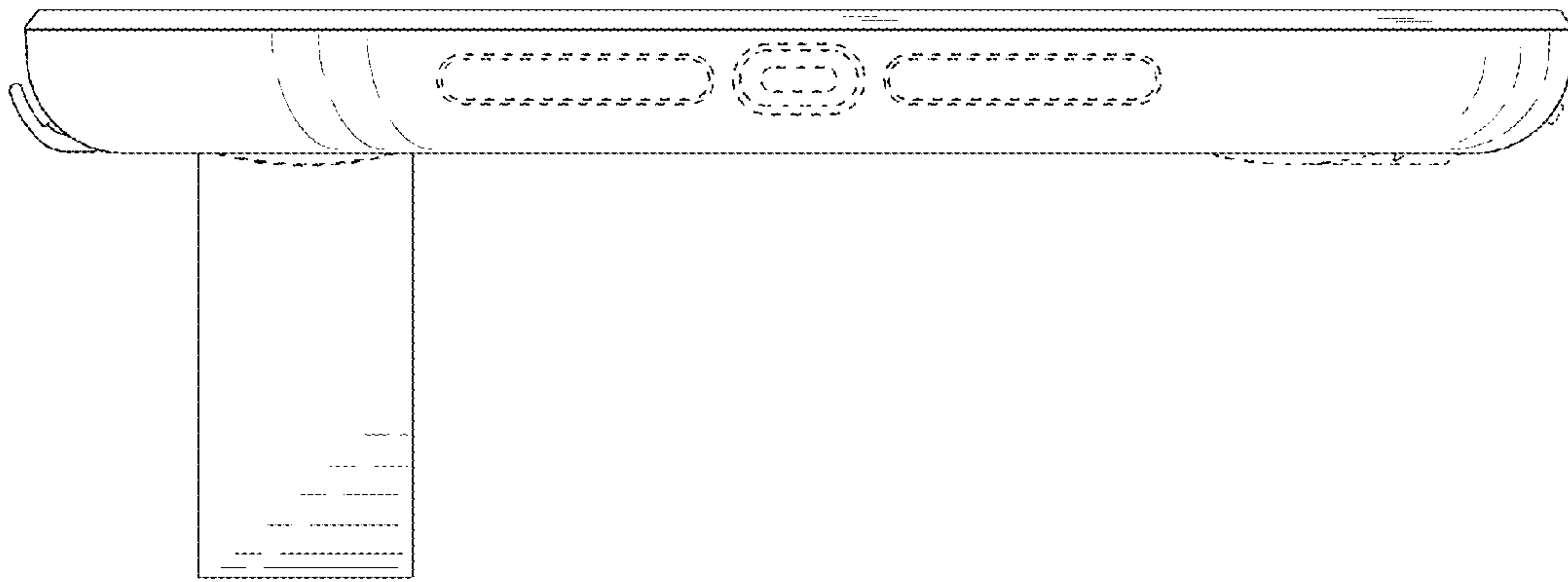


FIG. 12