

US00D724092S

(12) **United States Design Patent**
Zangari et al.

(10) **Patent No.:** **US D724,092 S**

(45) **Date of Patent:** **** Mar. 10, 2015**

(54) **PROTECTIVE COVER FOR A TABLET COMPUTER**

(56) **References Cited**

U.S. PATENT DOCUMENTS

(71) Applicant: **Moleskine S.p.A.**, Milan (MI) (IT)

| | | | | | | |
|--------------|----|---|---------|-----------------|-------|---------|
| D118,197 | S | * | 12/1939 | Trussell | | D19/26 |
| D323,348 | S | * | 1/1992 | Tooker | | D19/26 |
| D449,166 | S | * | 10/2001 | Shapiro | | D3/303 |
| D600,699 | S | * | 9/2009 | Johnston et al. | | D14/440 |
| D649,185 | S | * | 11/2011 | Bakrania | | D19/26 |
| D678,293 | S | * | 3/2013 | Meehan | | D14/440 |
| D678,884 | S | * | 3/2013 | Phillips et al. | | D14/440 |
| D684,978 | S | * | 6/2013 | Phillips et al. | | D14/440 |
| D688,250 | S | * | 8/2013 | Phillips et al. | | D14/440 |
| D696,256 | S | * | 12/2013 | Piedra et al. | | D14/440 |
| D706,783 | S | * | 6/2014 | Almodova | | D14/440 |
| D707,229 | S | * | 6/2014 | Almodova | | D14/440 |
| 2010/0300909 | A1 | * | 12/2010 | Hung | | 206/320 |

(72) Inventors: **Gabriel Zangari**, Milan (IT); **Samantha Rossini**, Milan (IT); **Dagmara Seiminiec**, Milan (IT)

(73) Assignee: **Moleskine S.p.A.**, Milan (IT)

(**) Term: **14 Years**

* cited by examiner

(21) Appl. No.: **29/477,655**

Primary Examiner — Cynthia Underwood

(22) Filed: **Dec. 24, 2013**

(74) *Attorney, Agent, or Firm* — Steinfl & Bruno, LLP

(30) **Foreign Application Priority Data**

(57) **CLAIM**

Jul. 12, 2013 (EM) 002273524-0001

The ornamental design for the protective cover for a tablet computer, as shown and described.

Jul. 12, 2013 (EM) 002273524-0002

DESCRIPTION

(51) **LOC (10) Cl.** **14-02**

FIG. 1 shows a perspective view of a protective cover for a tablet computer.

(52) **U.S. Cl.**

FIG. 2 shows a top view of the protective cover.

USPC **D14/440**

FIG. 3 shows a bottom view of the protective cover.

(58) **Field of Classification Search**

CPC ... G06F 1/1601; G06F 1/1626; G06F 1/1633;

FIG. 4 shows a right side view of the protective cover.

G06F 1/1675; G06F 1/1679; G02F 1/1306;

FIG. 5 shows a left side view of the protective cover.

G02F 1/133; G02F 1/133308; G02F 1/153;

FIG. 6 shows a rear side view of the protective cover.

G02F 1/1533; G02F 2001/133317; H04M

FIG. 7 shows a front side view of the protective cover.

1/185; H04M 1/0252; H04B 1/3888

FIG. 8 shows an interior perspective view of the protective cover when partially opened.

USPC D14/250, 251, 253, 240, 217, 496, 440,

FIG. 9 shows a top view of the protective cover when opened.

D14/203.3, 203.4, 203.5, 203.8, 341, 318;

FIG. 10 shows a first perspective view of the protective cover when opened and folded.

D3/218, 215, 201, 294, 289, 900;

FIG. 11 shows a second perspective view of the protective cover when opened and folded; and,

220/4.02; 248/309.1; 361/679.56;

FIG. 12 shows a third perspective view of the protective cover when opened and folded.

379/426, 433.11, 455; 455/575.1,

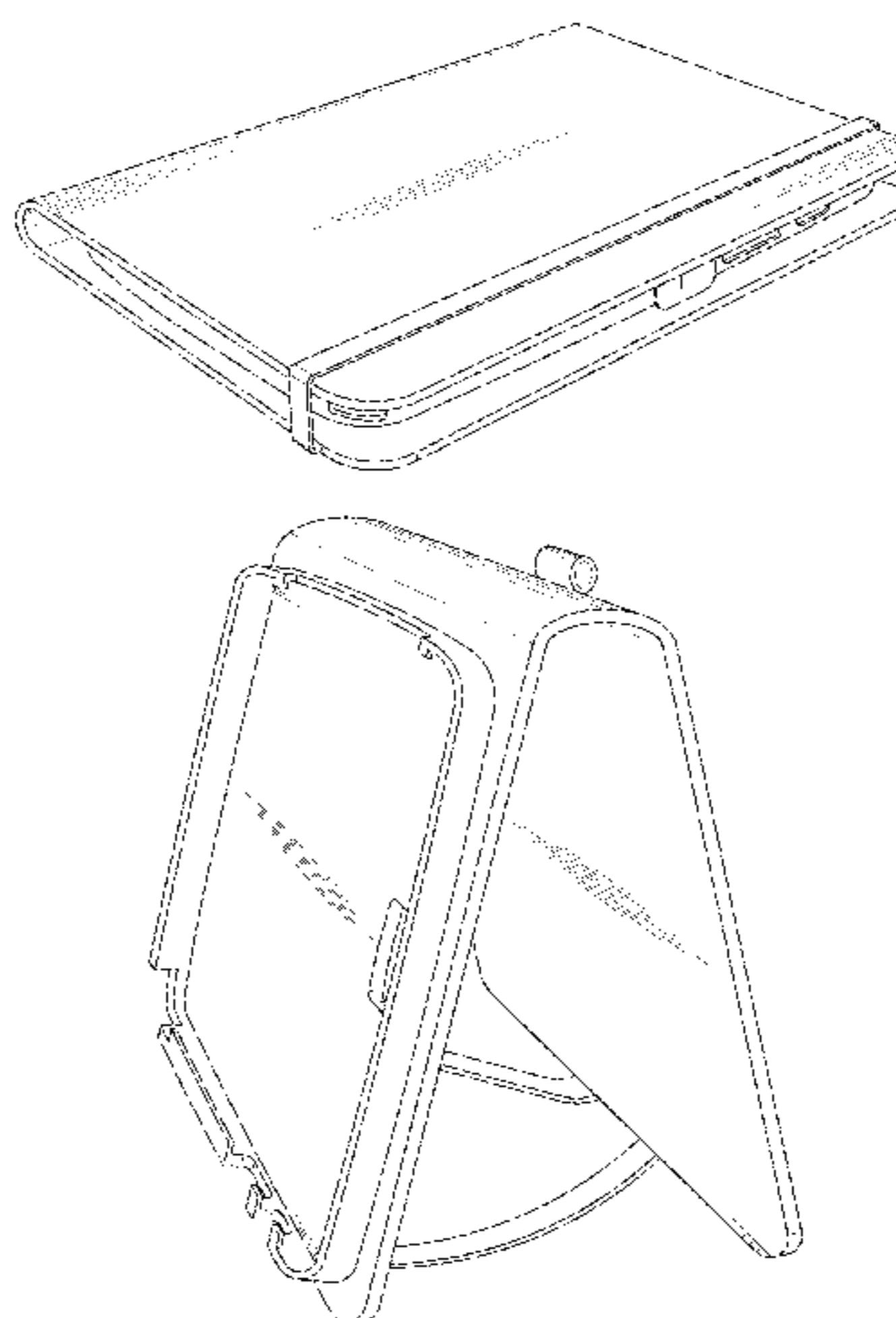
Broken lines shown in the drawings are not intended to form part of the claimed design.

455/575.8, 457.1; 190/100; 206/305, 320,

206/45.2; D21/469; 312/240

See application file for complete search history.

1 Claim, 10 Drawing Sheets



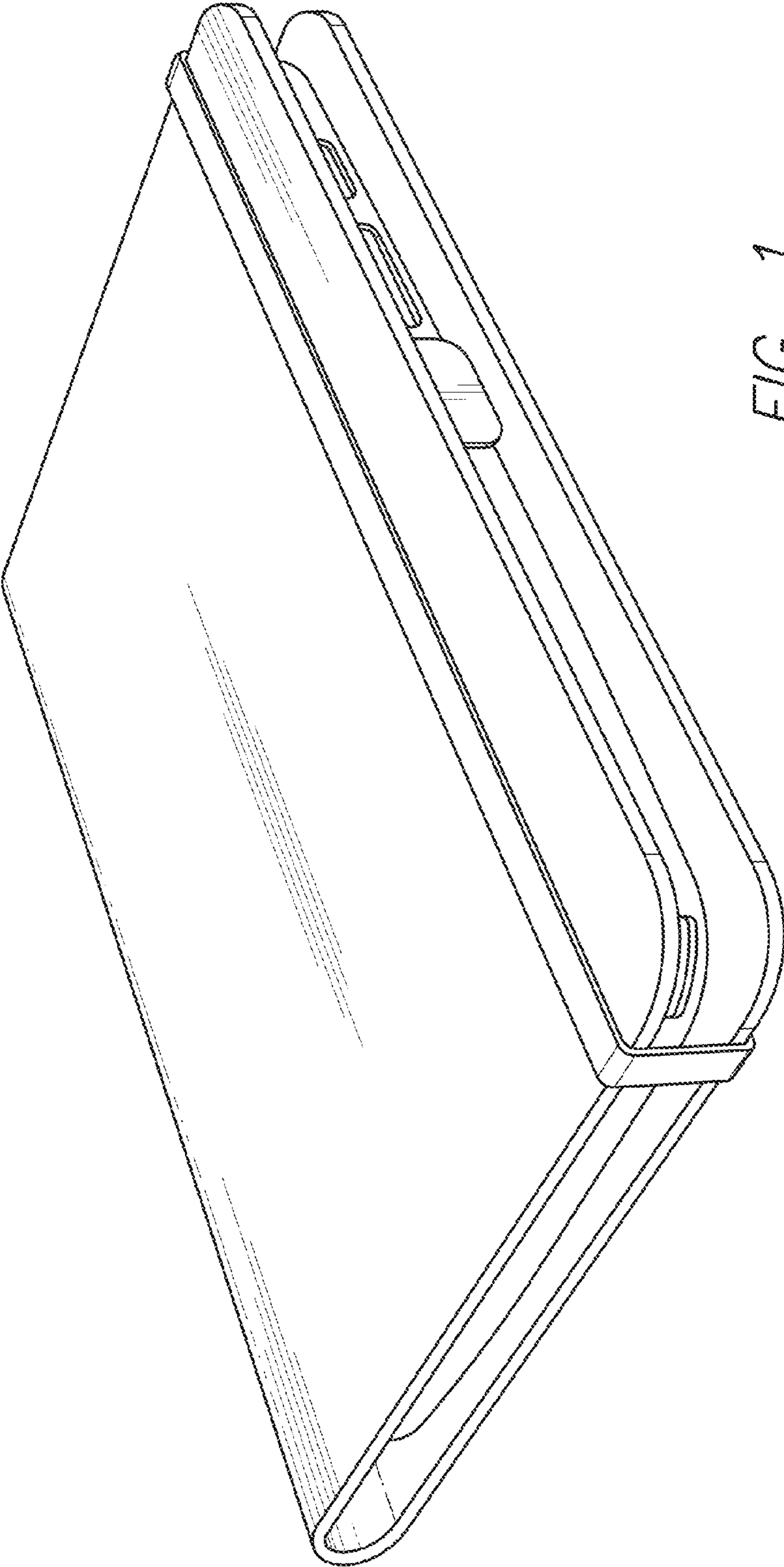


FIG. 1

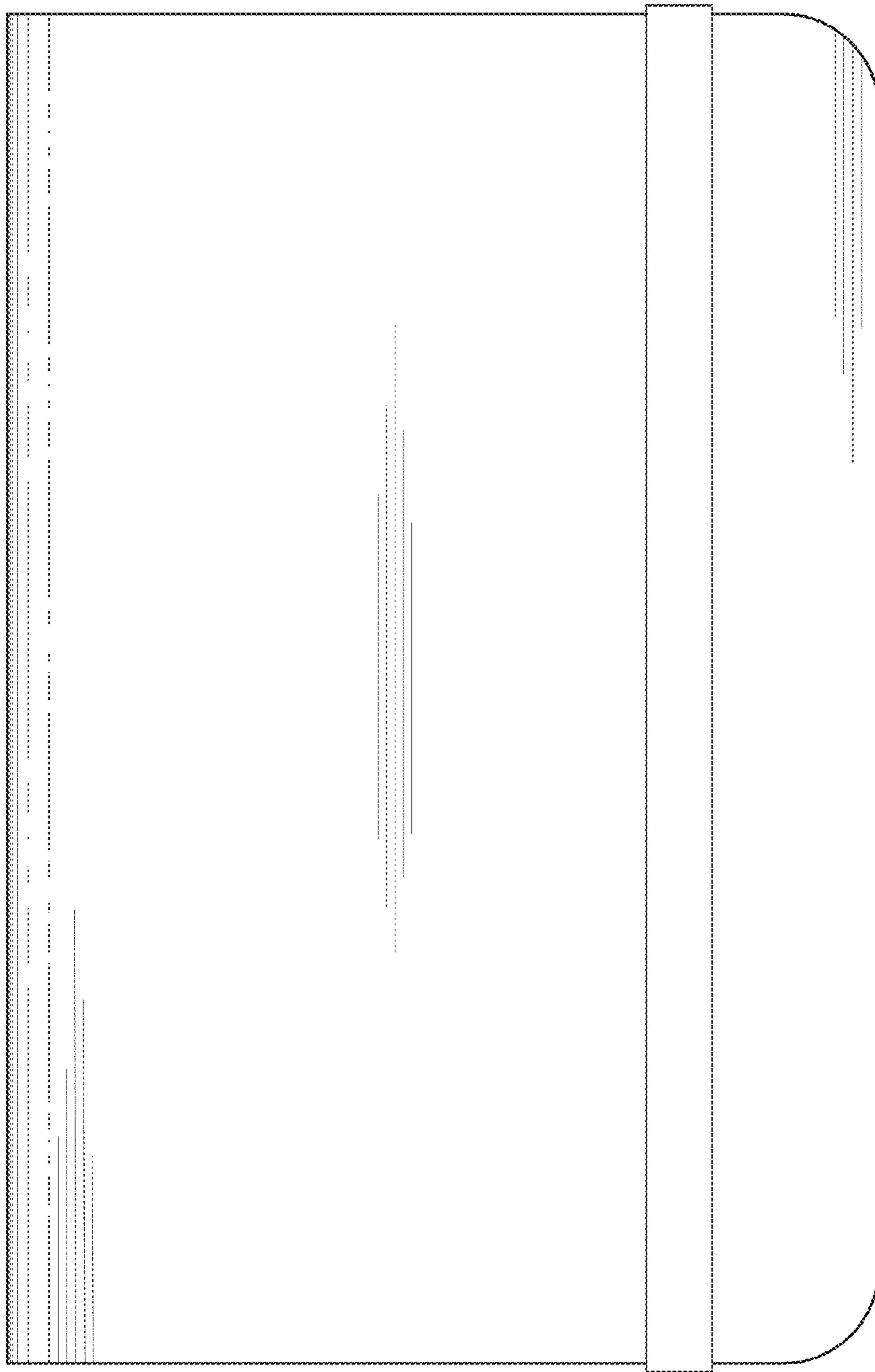


FIG. 2

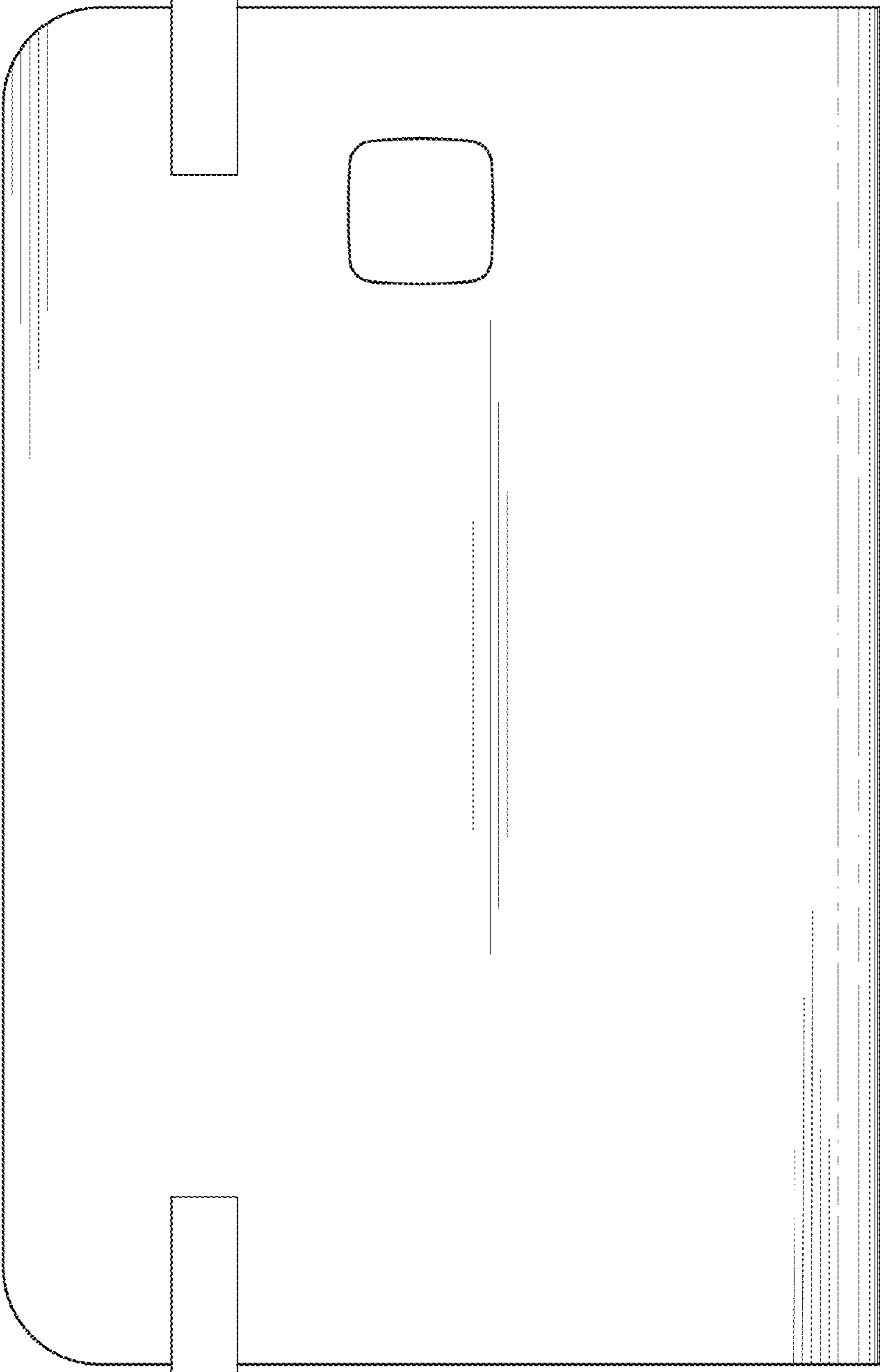


FIG. 3

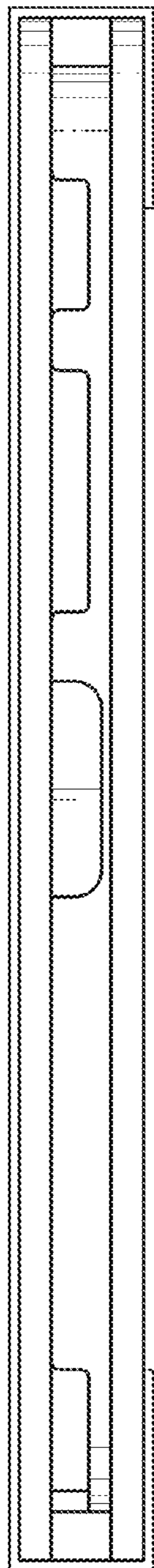


FIG. 4

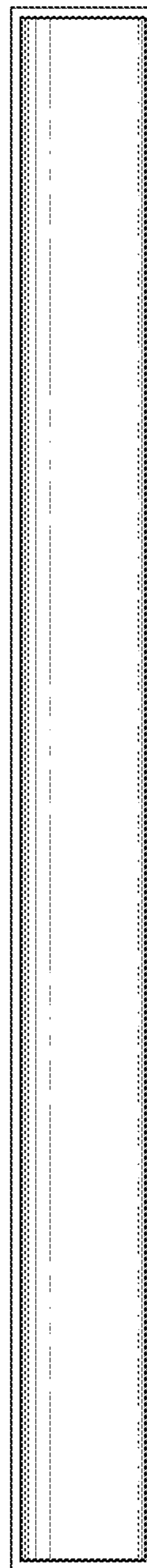


FIG. 5

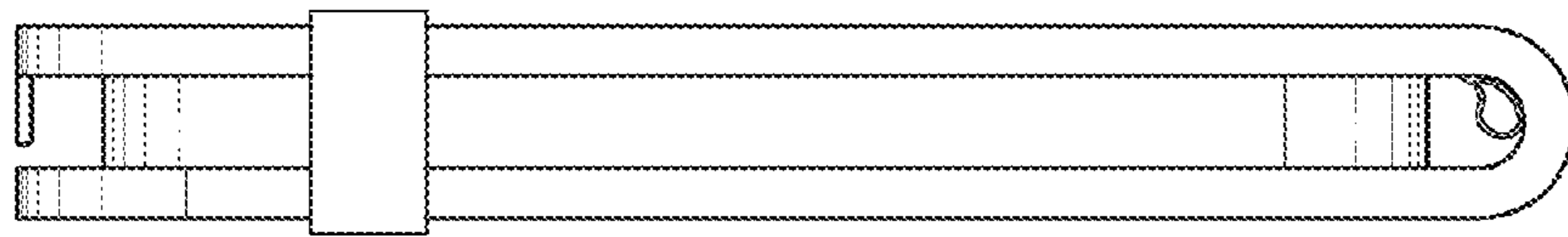


FIG. 6

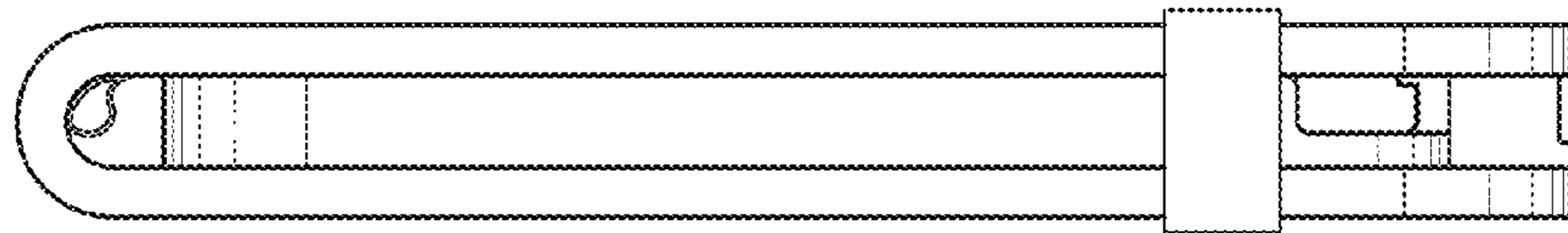


FIG. 7

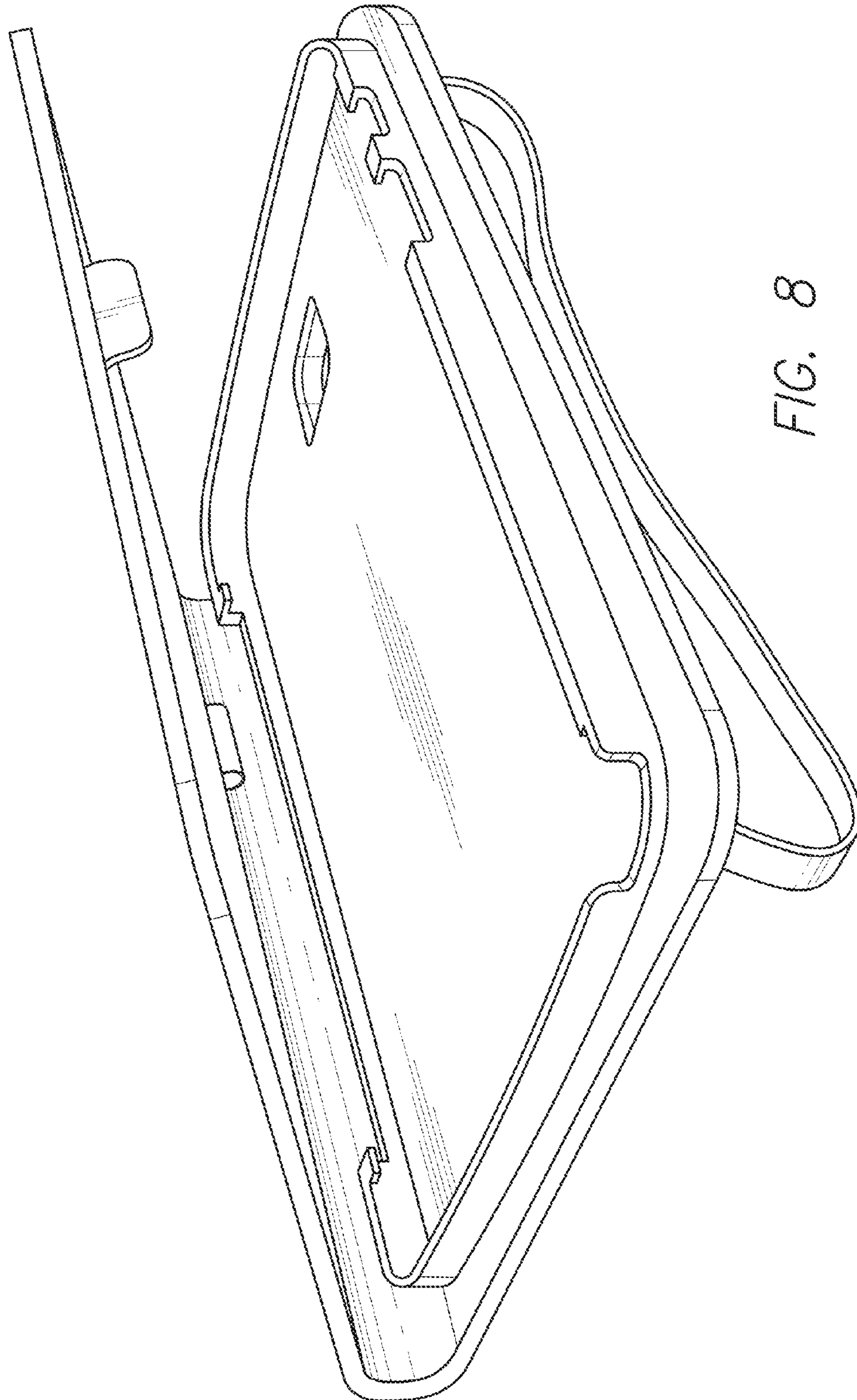


FIG. 8

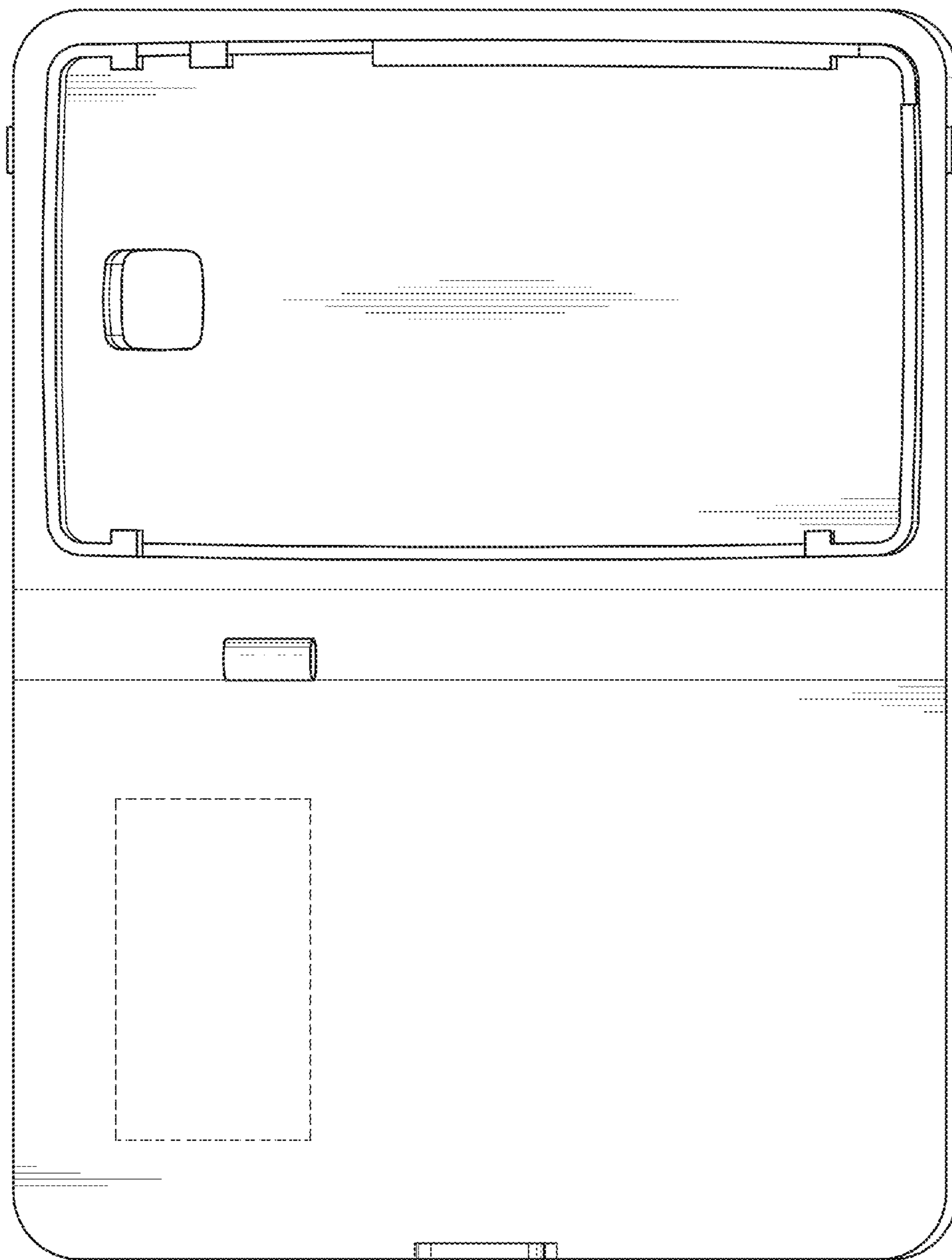


FIG. 9

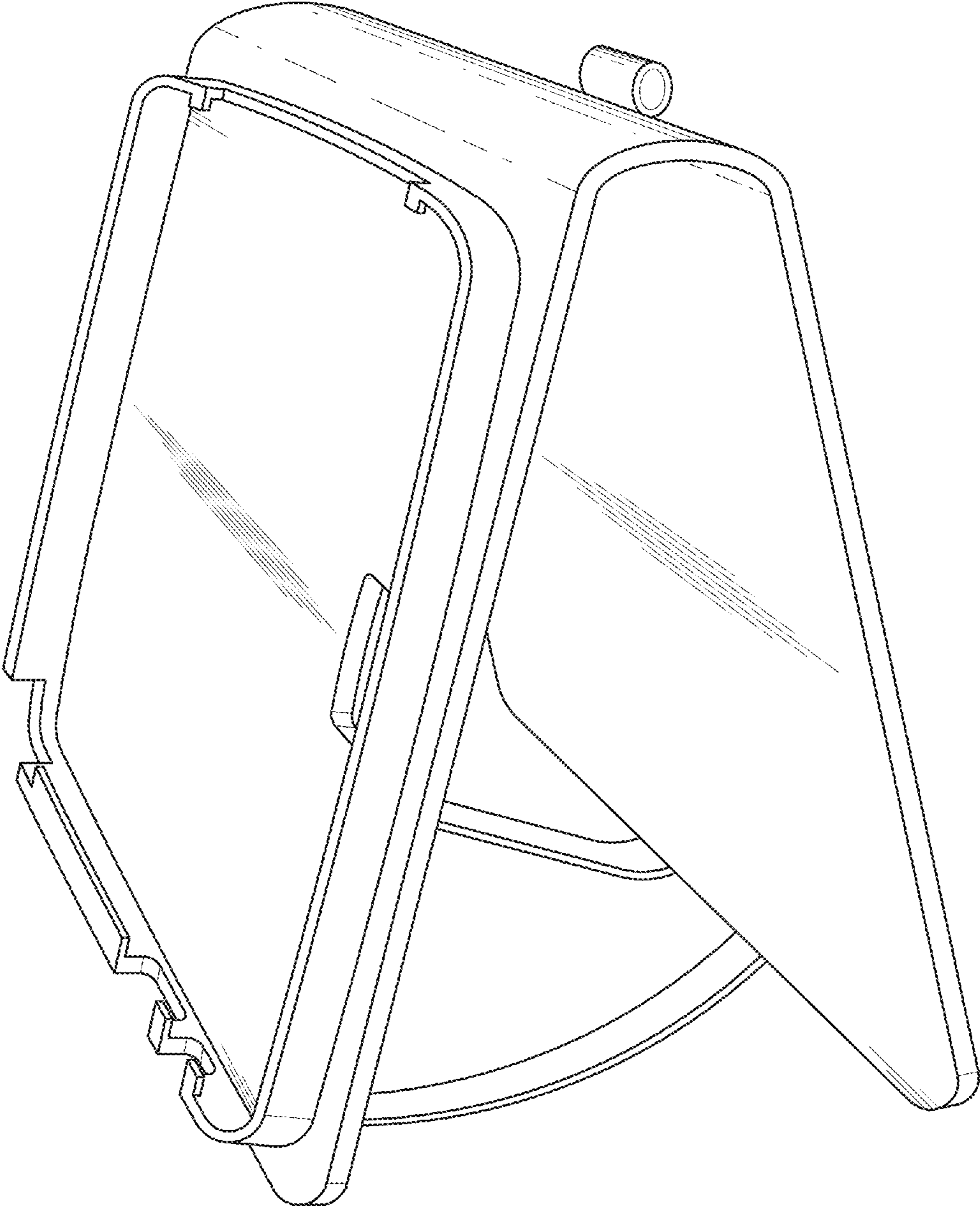


FIG. 10

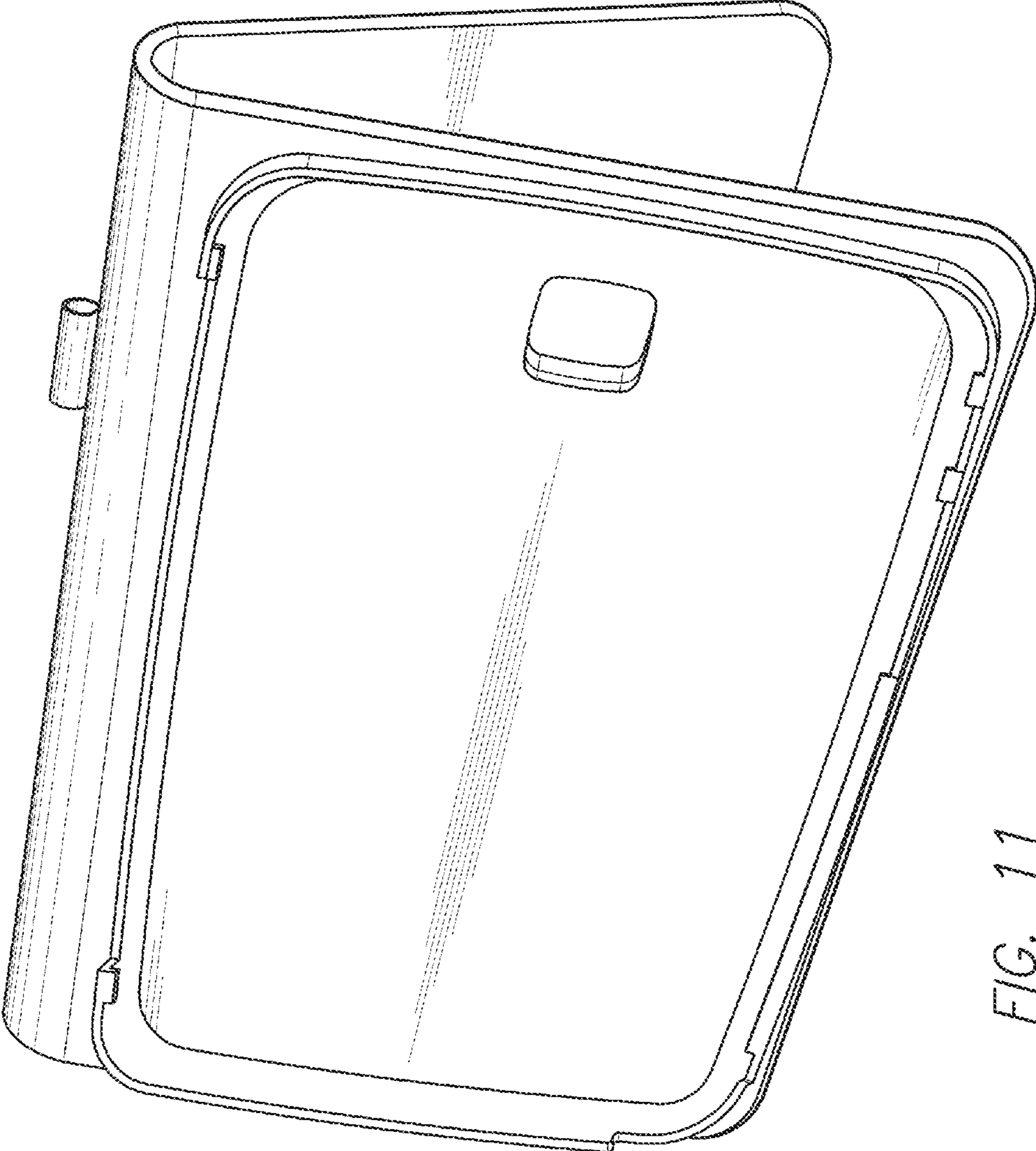


FIG. 11

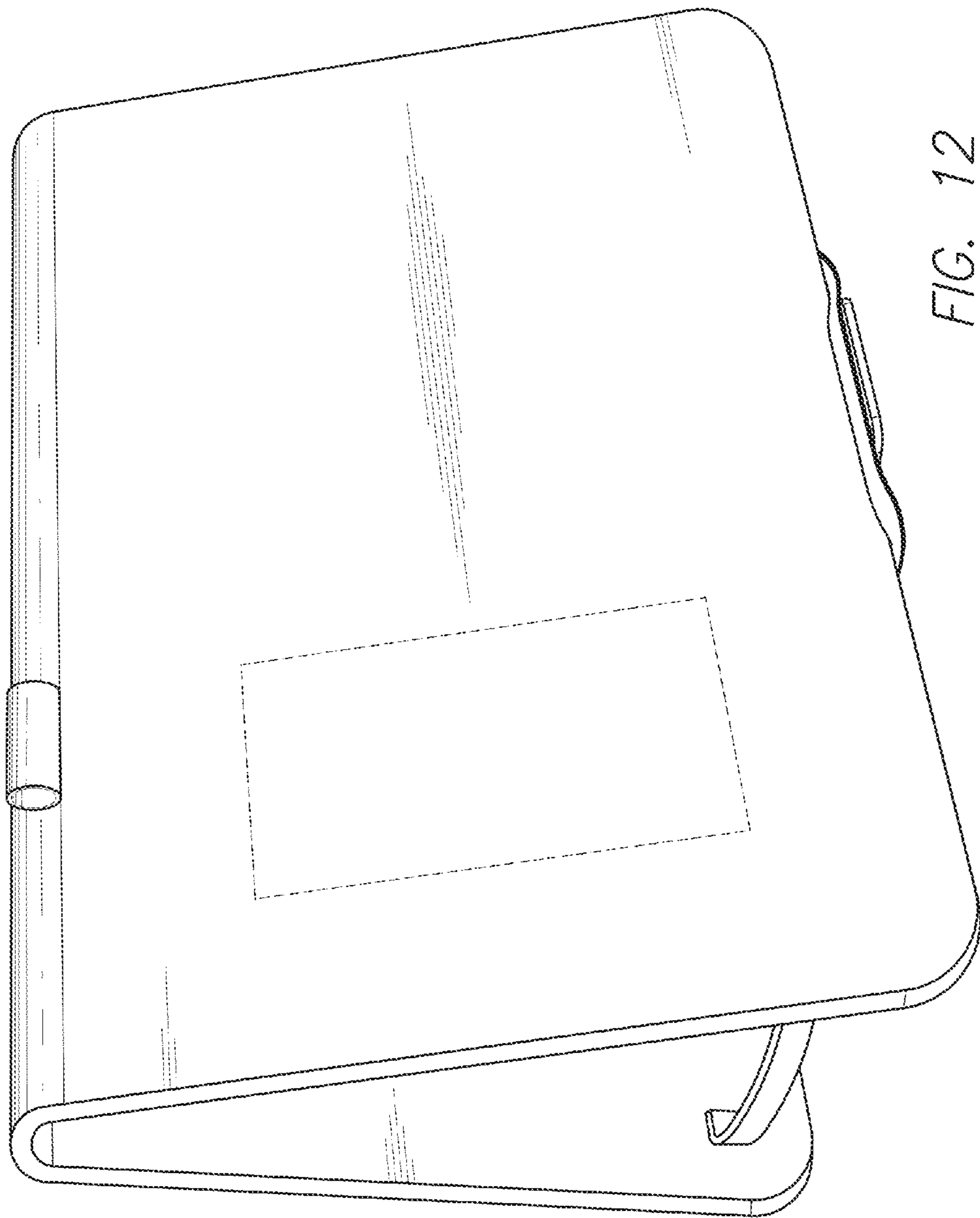


FIG. 12