



US00D724091S

(12) **United States Design Patent**  
**Gelsomini et al.**

(10) **Patent No.:** **US D724,091 S**  
(45) **Date of Patent:** **\*\* Mar. 10, 2015**

(54) **TABLET CASE**

(71) Applicant: **Dundee Precious Metals Inc.**, Toronto (CA)

(72) Inventors: **Mark Gelsomini**, Richmond Hill (CA);  
**Richard Coulson**, Vaughan (CA)

(73) Assignee: **Dundee Precious Metals Inc.**, Toronto (CA)

(\*\*) Term: **14 Years**

(21) Appl. No.: **29/472,647**

(22) Filed: **Nov. 14, 2013**

**Related U.S. Application Data**

(62) Division of application No. 29/438,004, filed on Nov. 23, 2012, now Pat. No. Des. 703,210.

(30) **Foreign Application Priority Data**

May 23, 2012 (CA) ..... 145744

(51) **LOC (10) Cl.** ..... **14-02**

(52) **U.S. Cl.**  
USPC ..... **D14/440**

(58) **Field of Classification Search**

CPC ... G06F 1/1601; G06F 1/1626; G06F 1/1633;  
G06F 1/1675; G06F 1/1679; G02F 1/1306;  
G02F 1/133; G02F 1/133308; G02F 1/153;  
G02F 1/1533; G02F 2001/133317; H04M  
1/185; H04M 1/0252; H04B 1/3888  
USPC ..... D14/250, 251, 253, 240, 217, 496, 440,  
D14/203.3, 203.4, 203.5, 203.8, 341, 318;  
D3/218, 215, 201, 294, 289, 900;  
220/4.02; 248/309.1; 361/679.56;  
379/426, 433.11, 455; 455/575.1,  
455/575.8, 457.1; 190/100; 206/305, 320,  
206/45.2; D21/469; 312/240

See application file for complete search history.

(56) **References Cited**

U.S. PATENT DOCUMENTS

D250,433 S	11/1978	Malcolm	
D358,328 S	5/1995	Huerto et al.	
6,772,879 B1	8/2004	Domotor	
D567,500 S	4/2008	Kwak et al.	
D571,757 S	6/2008	Kesler et al.	
7,542,052 B2	6/2009	Solomon et al.	
D635,555 S *	4/2011	Giles .....	D14/217
D647,303 S	10/2011	Mish et al.	
D662,925 S	7/2012	Mayberry et al.	
D668,660 S	10/2012	Norfolk	

(Continued)

*Primary Examiner* — Cynthia Underwood

(74) *Attorney, Agent, or Firm* — Gowling Lafleur  
Henderson LLP

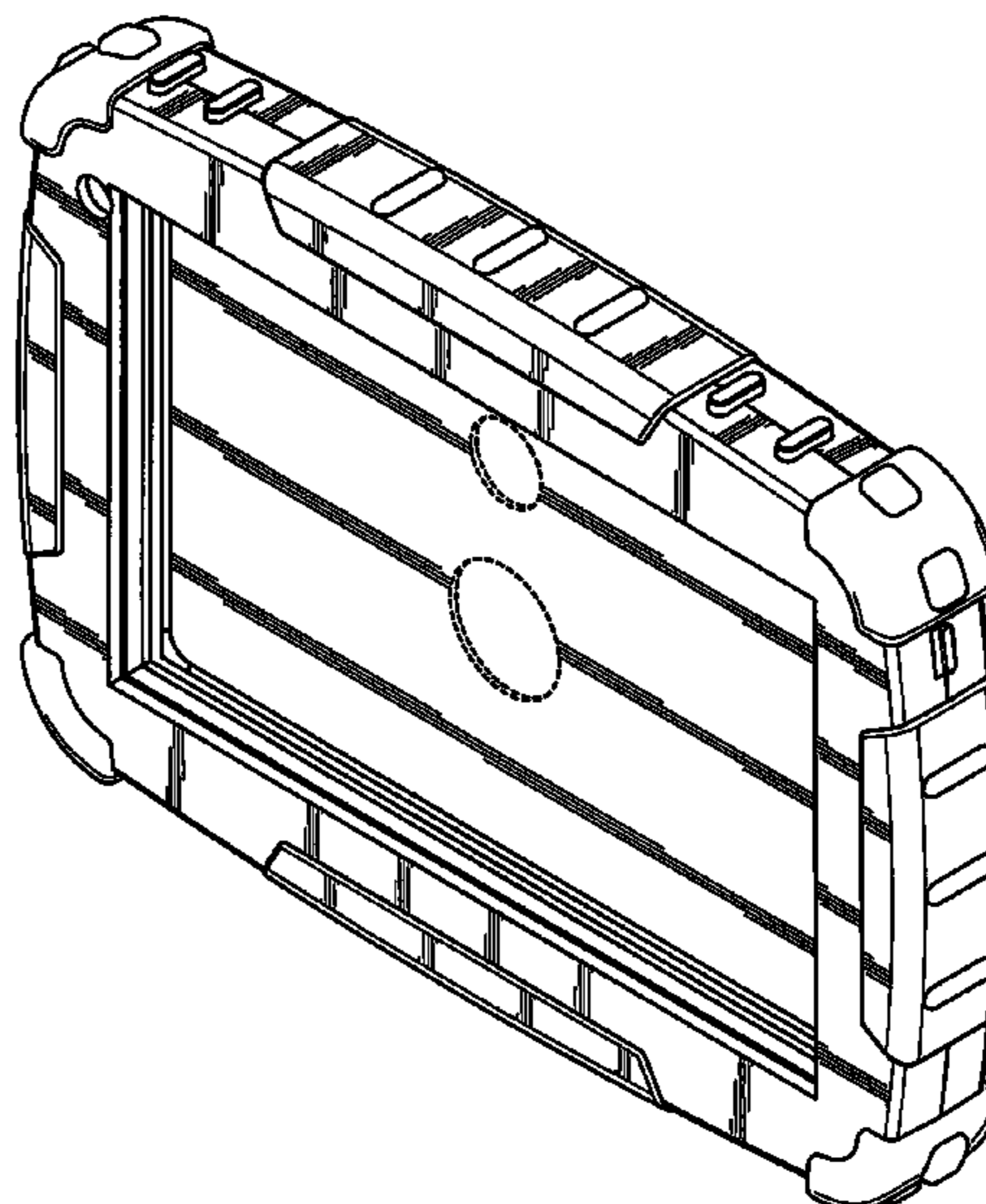
(57) **CLAIM**

The ornamental design for a tablet case, as shown and described.

**DESCRIPTION**

FIG. 1 is an isometric front view of a tablet case of the new design;  
FIG. 2 is a front view of the design of FIG. 1;  
FIG. 3 is a back side view of the design of FIG. 1;  
FIG. 4 is a right side view of the design of FIG. 1;  
FIG. 5 is a left view of the design of FIG. 1;  
FIG. 6 is a top view of the design of FIG. 1;  
FIG. 7 is a bottom view of the design of FIG. 1; and,  
FIG. 8 is an isometric back view of the design of FIG. 1.  
The broken lines showing selected portions of the tablet case is for environmental purposes only and forms no part of the claimed design.

**1 Claim, 8 Drawing Sheets**



(56)

**References Cited**

U.S. PATENT DOCUMENTS

D674,386 S *	1/2013	Mak .....	D14/341	D705,769 S *	5/2014	Esses .....	D14/250
D685,357 S *	7/2013	Rekuc et al. ....	D14/250	D706,271 S *	6/2014	Gelsomini et al. ....	D14/440
D689,851 S	9/2013	Chang et al.		D706,272 S *	6/2014	Poon .....	D14/440
D696,257 S *	12/2013	Ward et al. ....	D14/440	D709,064 S *	7/2014	Chang et al. ....	D14/250
				D712,386 S *	9/2014	Lu .....	D14/250
				2006/0104021 A1	5/2006	Chen et al.	
				2010/0008028 A1	1/2010	Richardson et al.	

\* cited by examiner

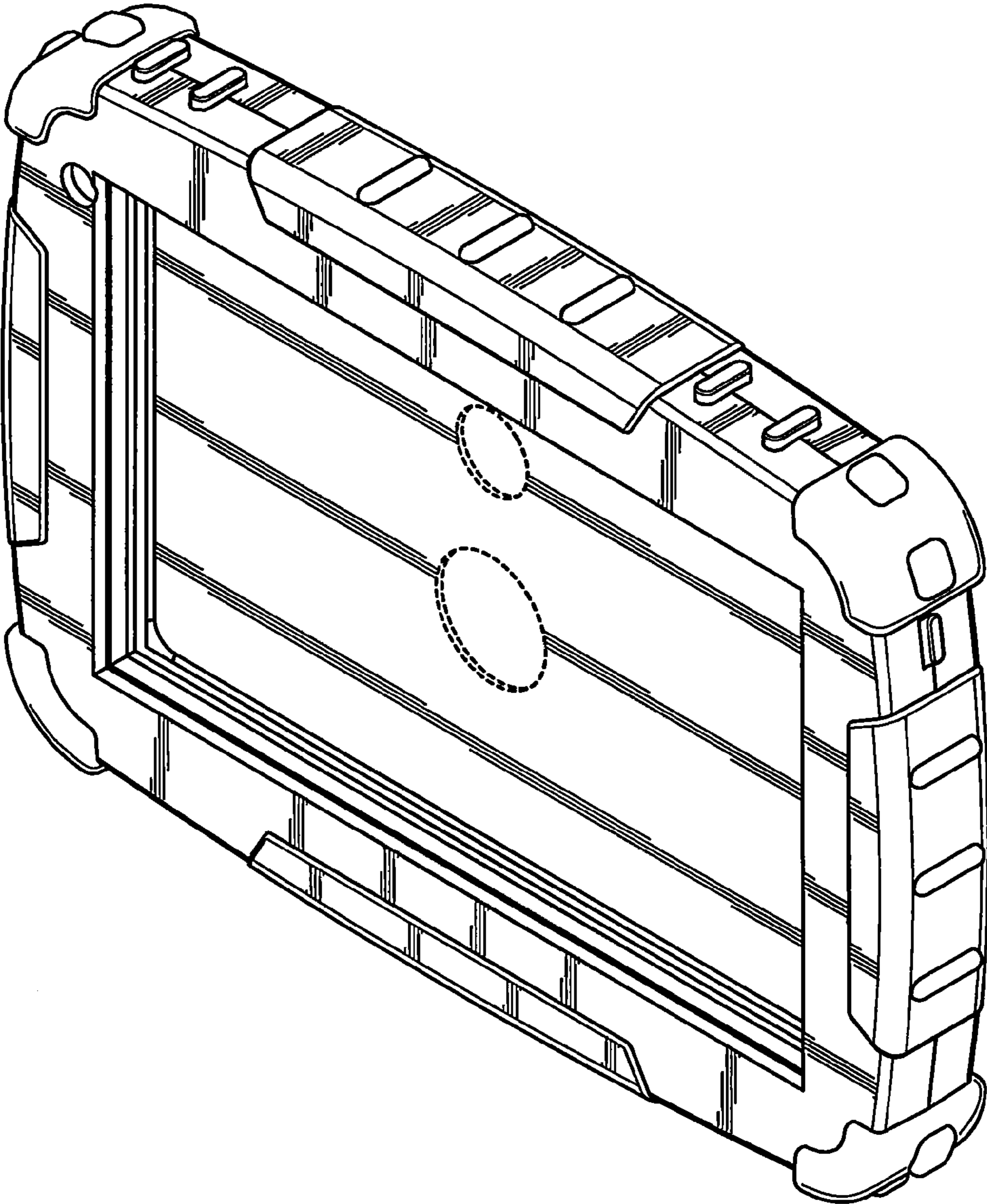


Figure 1

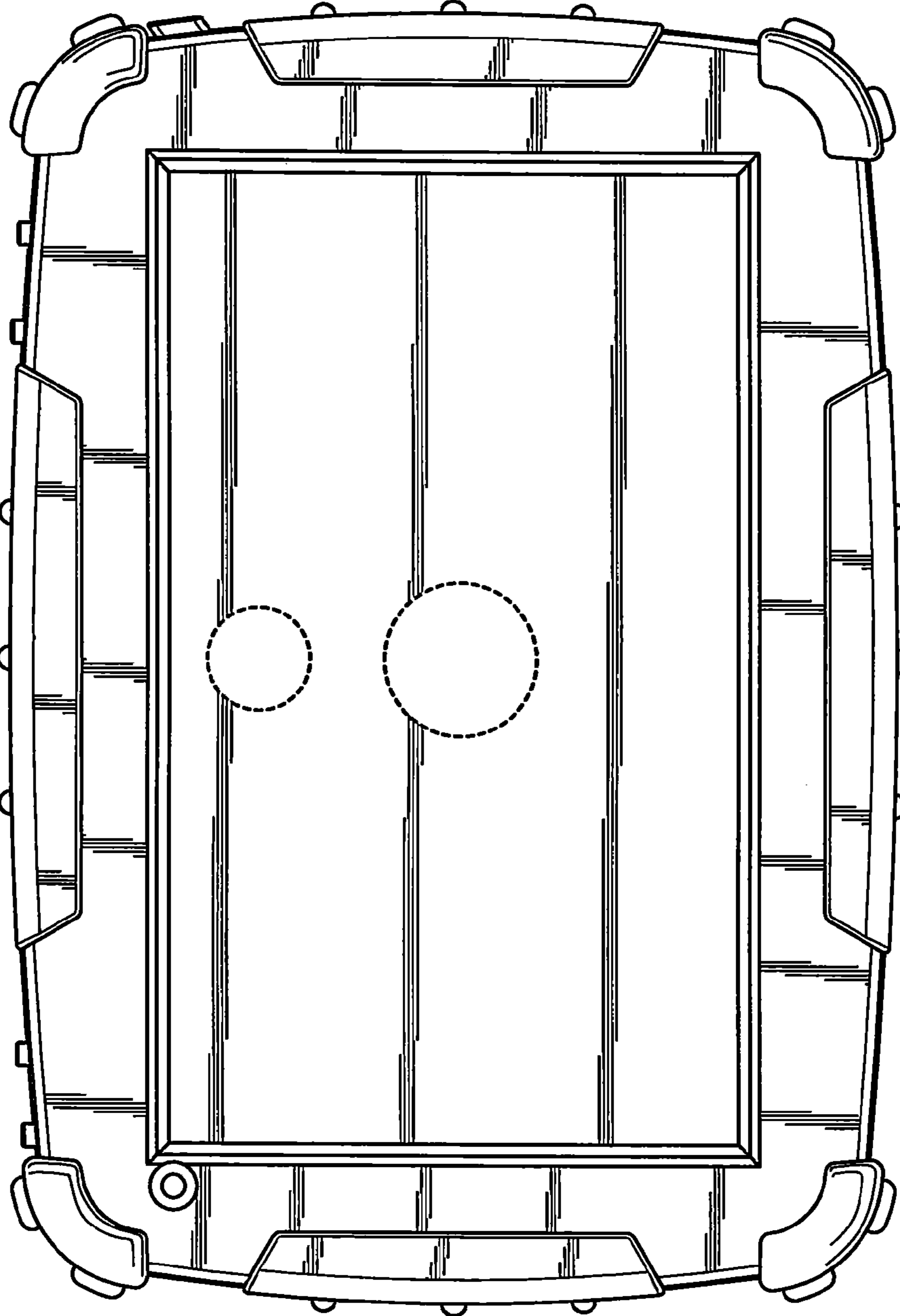


Figure 2



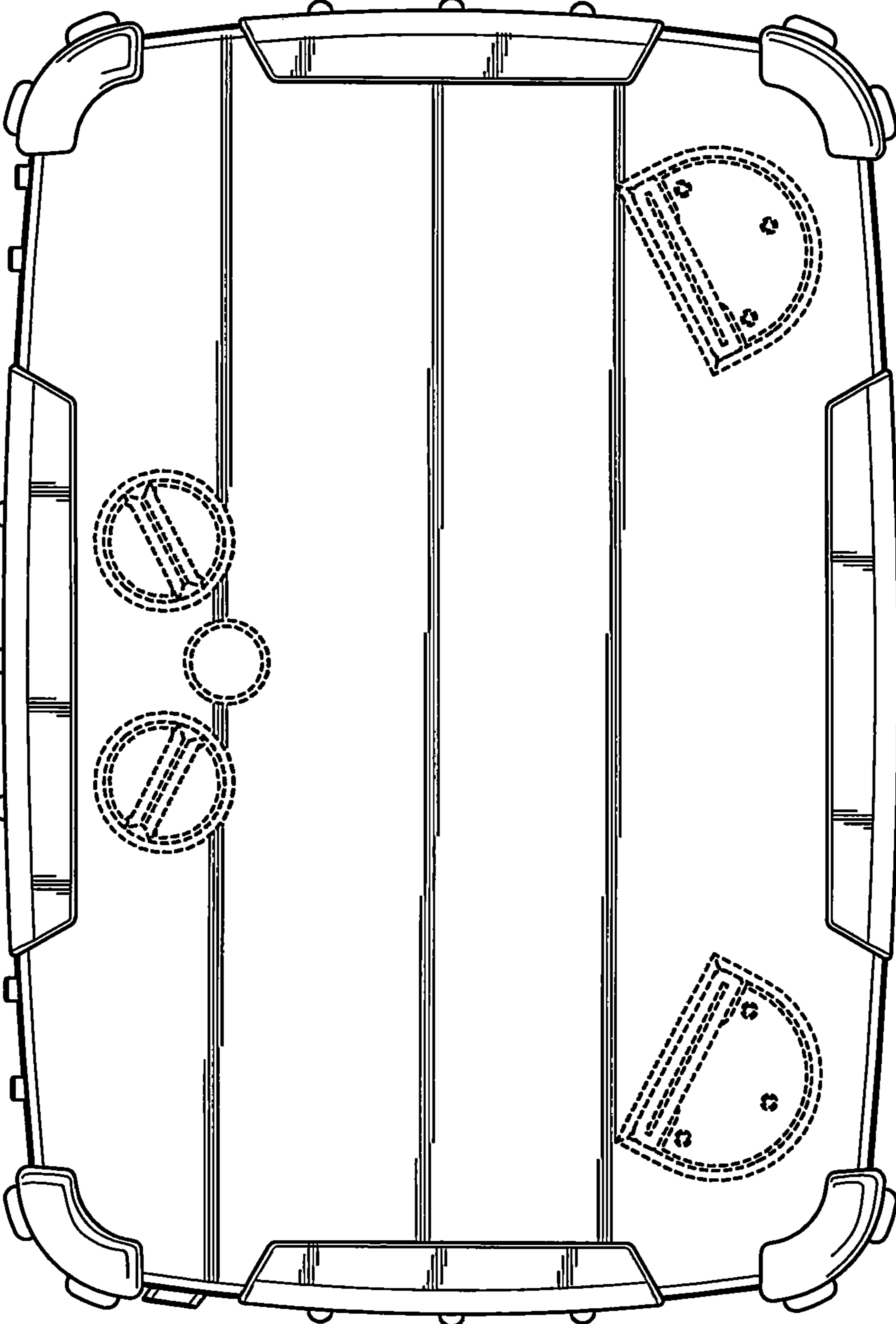


Figure 3

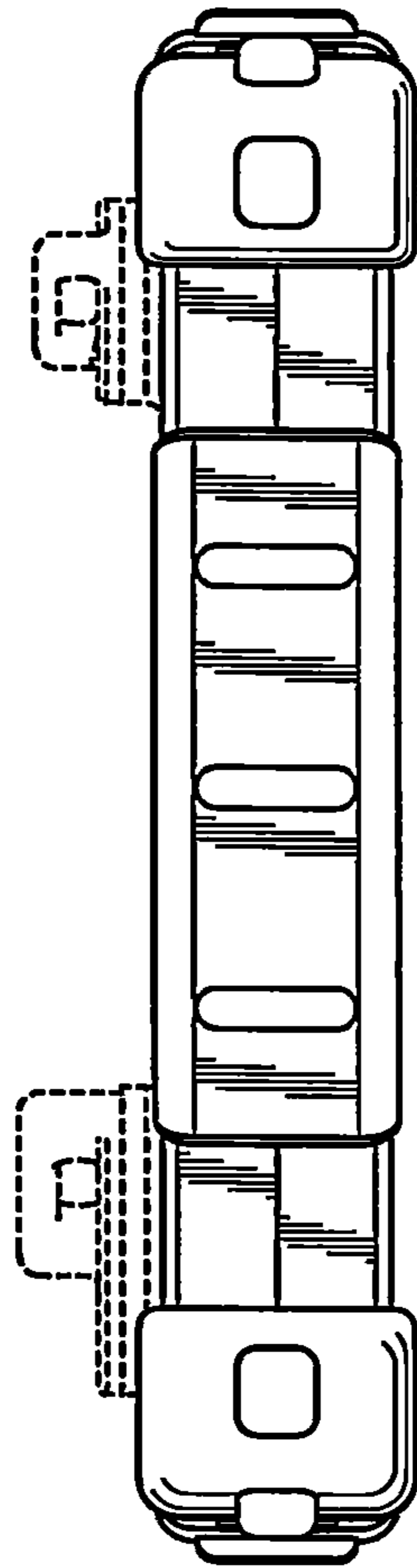


Figure 4

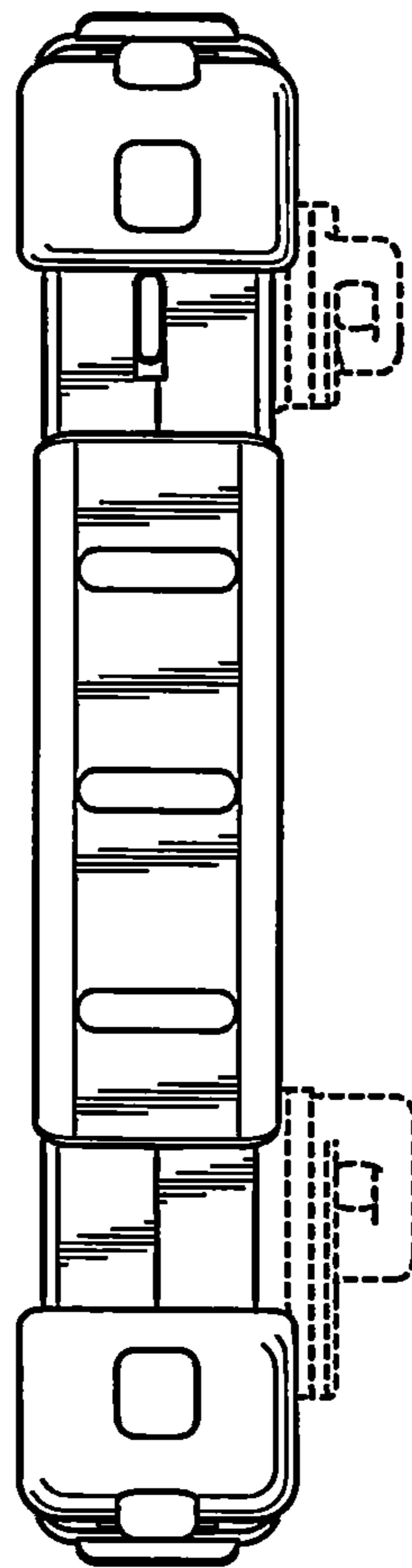


Figure 5

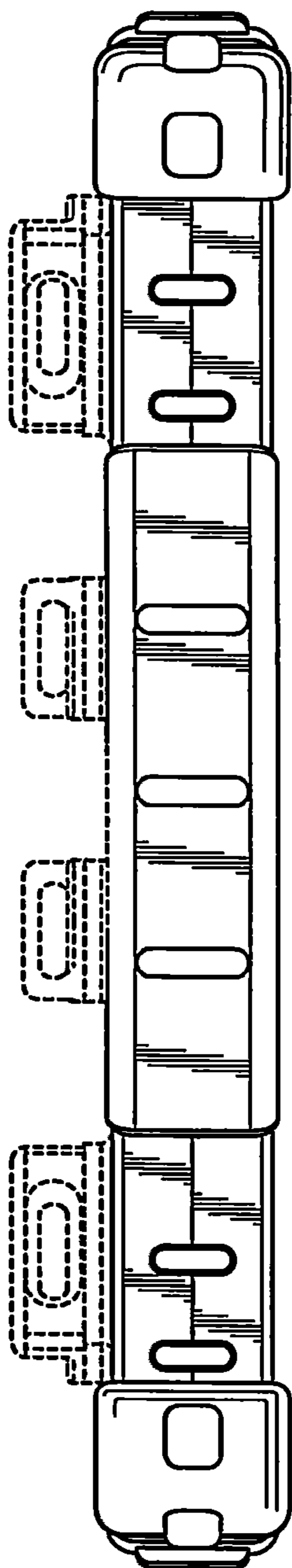


Figure 6



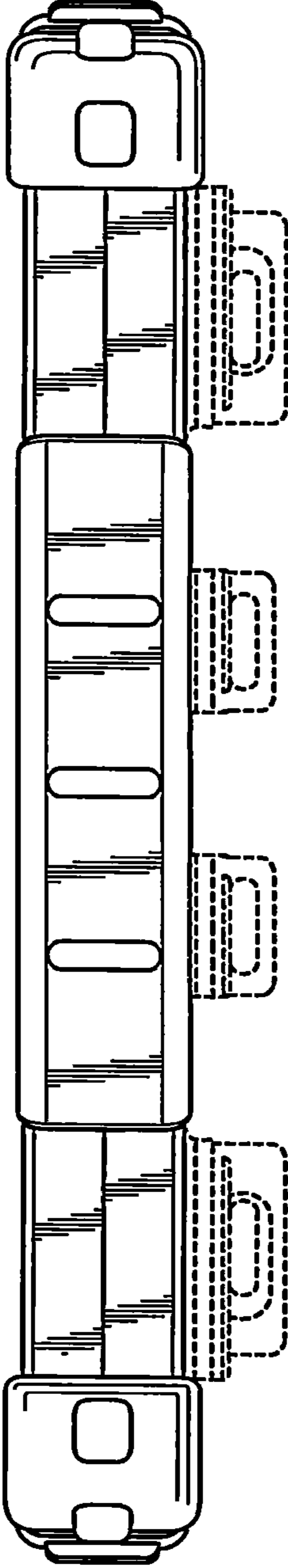


Figure 7

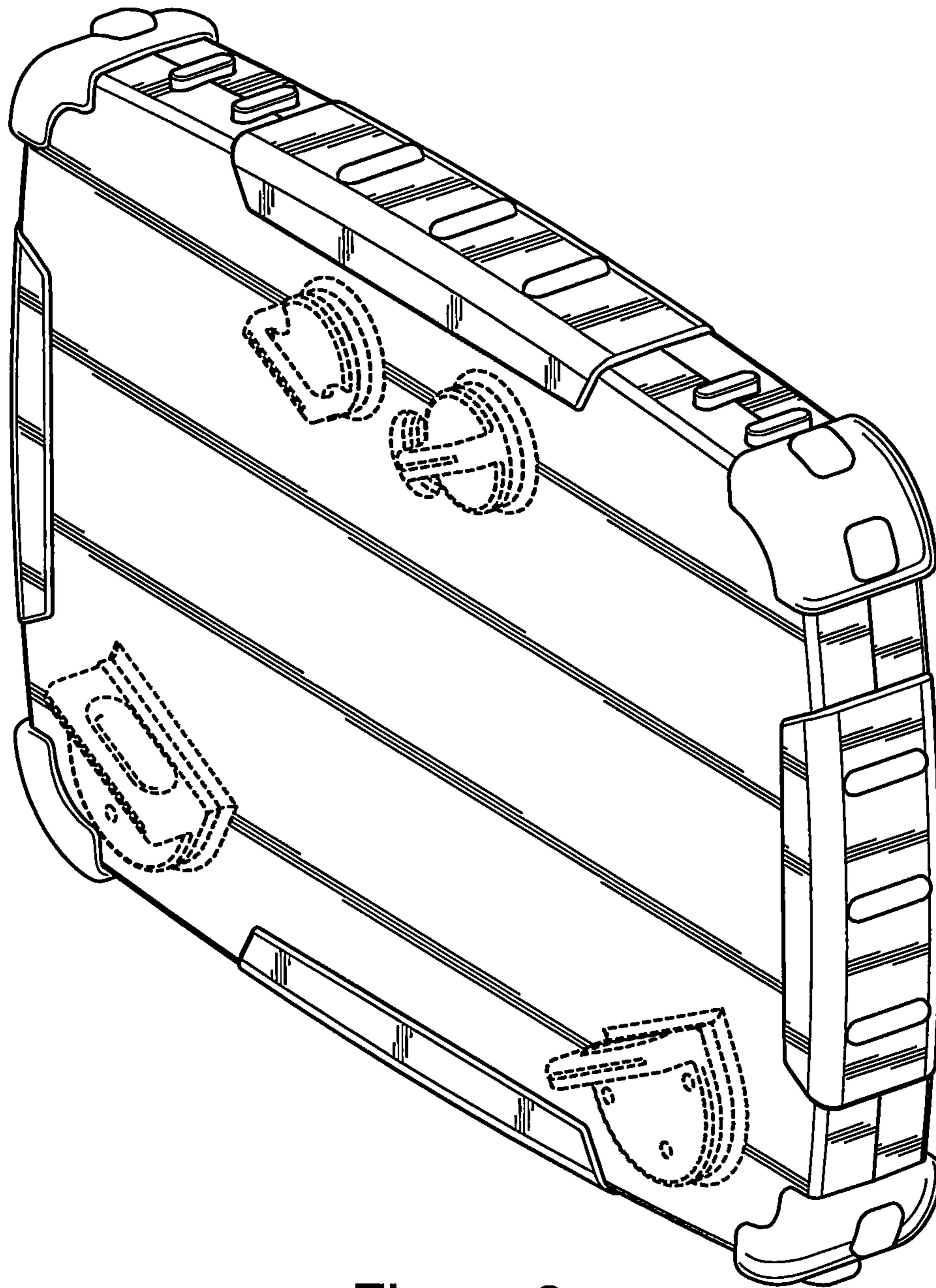


Figure 8