



US00D724090S

(12) **United States Design Patent**
Kim et al.

(10) **Patent No.:** **US D724,090 S**
(45) **Date of Patent:** **** Mar. 10, 2015**

(54) **COVER FOR MOBILE COMMUNICATION
TERMINAL**

(71) Applicant: **Samsung Electronics Co., Ltd.**,
Suwon-si, Gyeonggi-do (KR)

(72) Inventors: **Tae-Woo Kim**, Seoul (KR); **Yong-Seok
Bang**, Yongin-si (KR); **Bernard Lo**,
Ontario (CA)

(73) Assignee: **Samsung Electronics Co., Ltd.** (KR)

(**) Term: **14 Years**

(21) Appl. No.: **29/471,257**

(22) Filed: **Oct. 30, 2013**

(30) **Foreign Application Priority Data**

Aug. 12, 2013 (KR) 30-2013-0041448

(51) **LOC (10) Cl.** **14-02**

(52) **U.S. Cl.**
USPC **D14/440**

(58) **Field of Classification Search**

CPC ... G06F 1/1601; G06F 1/1626; G06F 1/1633;
G06F 1/1675; G06F 1/1679; G02F 1/1306;
G02F 1/133; G02F 1/133308; G02F 1/153;
G02F 1/1533; G02F 2001/133317; H04M
1/185; H04M 1/0252; H04B 1/3888
USPC D14/250, 251, 253, 240, 217, 496, 440,
D14/203.3, 203.4, 203.5, 203.8, 341, 318;
D3/218, 215, 201, 294, 289, 900;
220/4.02; 248/309.1; 361/679.56;
379/426, 433.11, 455; 455/575.1,
455/575.8, 457.1; 190/100; 206/305, 320,
206/45.2; D21/469; 312/240

See application file for complete search history.

(56) **References Cited**

U.S. PATENT DOCUMENTS

1,613,536 A * 1/1927 Rose 132/315
D230,376 S * 2/1974 Andrew D19/91

4,259,568 A * 3/1981 Dynesen 235/1 D
6,772,879 B1 * 8/2004 Domotor 206/45.23
7,281,698 B2 * 10/2007 Patterson, Jr. 248/458
7,414,833 B2 * 8/2008 Kittayapong 361/679.27
7,735,644 B2 * 6/2010 Sirichai et al. 206/320
D658,187 S * 4/2012 Diebel D14/440
D658,188 S * 4/2012 Diebel D14/440
D663,304 S * 7/2012 Akana et al. D14/440
8,230,992 B2 * 7/2012 Law et al. 206/320

(Continued)

Primary Examiner — Cynthia Underwood

(74) *Attorney, Agent, or Firm* — Cantor Colburn LLP

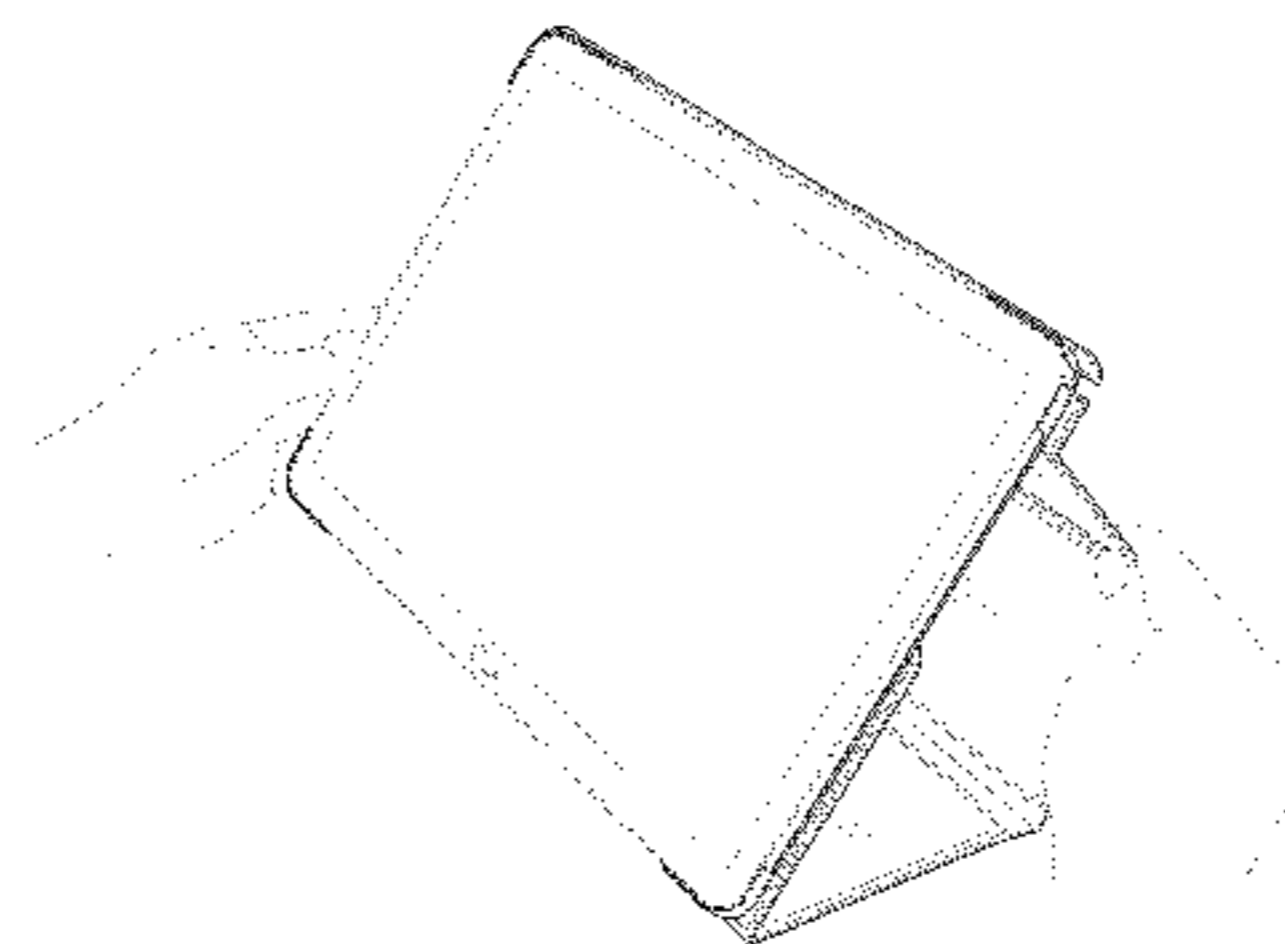
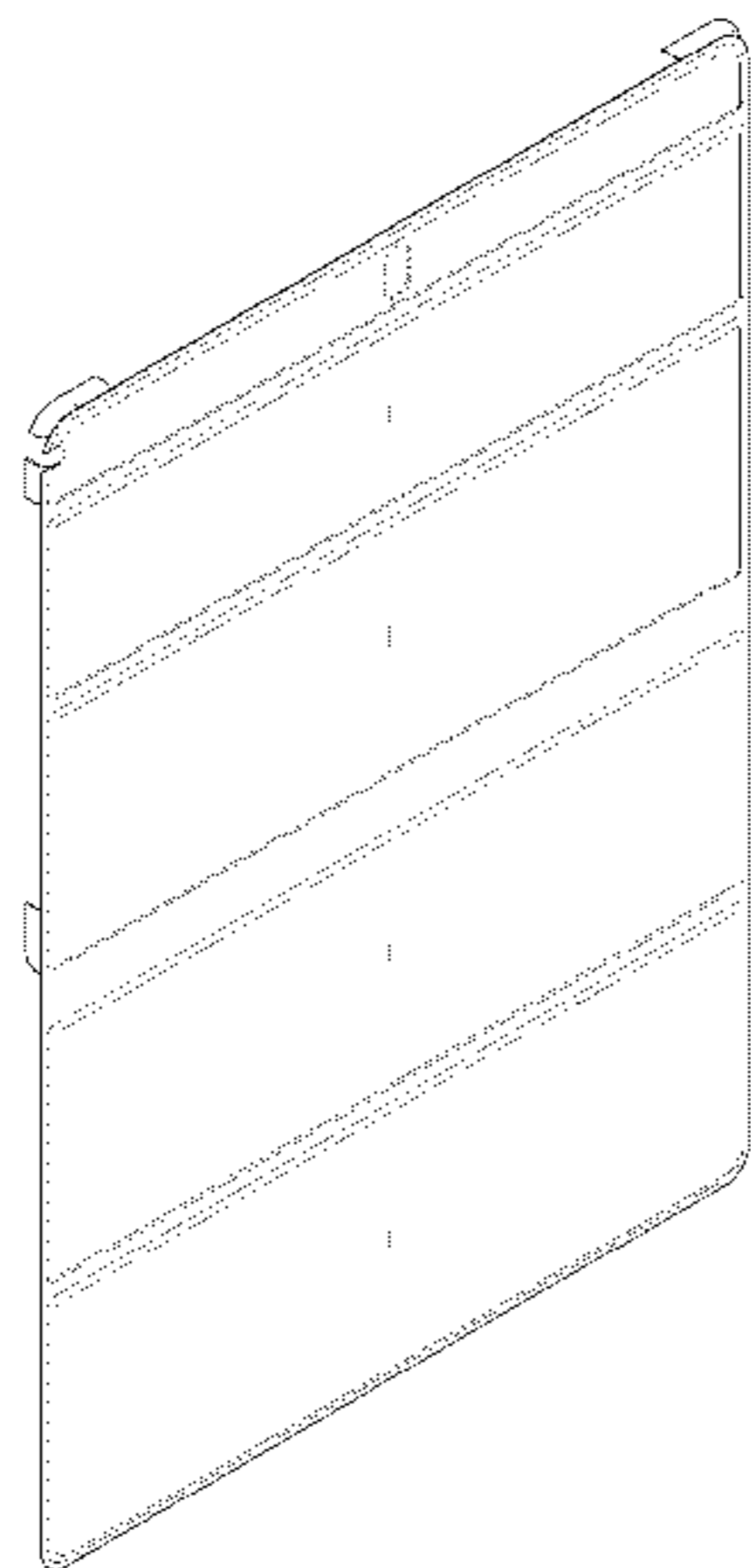
(57) **CLAIM**

We claim, the ornamental design for a cover for mobile communication terminal, as shown and described.

DESCRIPTION

FIG. 1 is a perspective view of a cover for mobile communication terminal, showing our new design;
FIG. 2 is a front elevation view thereof;
FIG. 3 is a rear elevation view thereof;
FIG. 4 is a side elevation view thereof;
FIG. 5 is a another side elevation view thereof;
FIG. 6 is a top plan view thereof;
FIG. 7 is a bottom plan view thereof;
FIG. 8 is another perspective view thereof, shown in an environment of use with a mobile communication terminal;
FIG. 9 is another perspective view thereof, shown in a folded configuration of use with a mobile communication terminal;
FIG. 10 is another perspective view thereof, shown in environment of use in an alternate configuration with a mobile communication terminal;
FIG. 11 is another perspective view thereof as shown in an environment of use with a mobile communication terminal;
and,
FIG. 12 is an enlarged view of the encircled portion of FIG. 4. The broken lines are for environmental purposes only and form no part of the claimed design.
The dot-dash broken lines encircling the portion of the claimed design that is illustrated in an enlargement form no part of the claimed design.

1 Claim, 10 Drawing Sheets



(56)

References Cited

U.S. PATENT DOCUMENTS

- | | | | | | | | |
|----------------|---------|---------------------------------|-----------|-------------------|---------|------------------|-----------|
| 8,245,843 B1 * | 8/2012 | Wu | 206/320 | D702,673 S * | 4/2014 | Murchison et al. | D14/250 |
| 8,312,991 B2 * | 11/2012 | Diebel et al. | 206/45.24 | D704,689 S * | 5/2014 | Chang | D14/250 |
| D671,948 S * | 12/2012 | Akana et al. | D14/440 | D704,693 S * | 5/2014 | Kim | D14/250 |
| D672,353 S * | 12/2012 | Liu | D14/440 | D706,270 S * | 6/2014 | Akana et al. | D14/440 |
| D672,781 S * | 12/2012 | Lu | D14/440 | D706,783 S * | 6/2014 | Almodova | D14/440 |
| D675,625 S * | 2/2013 | Hasbrook et al. | D14/440 | D707,229 S * | 6/2014 | Almodova | D14/440 |
| D678,260 S * | 3/2013 | Bau | D14/250 | 8,757,375 B2 * | 6/2014 | Huang | 206/320 |
| D679,279 S * | 4/2013 | Yang et al. | D14/440 | D708,838 S * | 7/2014 | Lee | D3/201 |
| D679,715 S * | 4/2013 | Akana et al. | D14/440 | 8,763,795 B1 * | 7/2014 | Oten et al. | 206/45.23 |
| 8,424,830 B2 * | 4/2013 | Yang et al. | 248/459 | 8,766,921 B2 * | 7/2014 | Ballagas et al. | 345/168 |
| D681,641 S * | 5/2013 | Van Den Nieuwenhuizen
et al. | D14/440 | 8,773,353 B2 * | 7/2014 | Wei | 345/156 |
| D682,836 S * | 5/2013 | Akana et al. | D14/440 | 8,783,458 B2 * | 7/2014 | Gallagher et al. | 206/320 |
| D682,838 S * | 5/2013 | Akana et al. | D14/440 | D710,859 S * | 8/2014 | Mecchella et al. | D14/440 |
| D683,141 S * | 5/2013 | Symons | D6/310 | 8,797,132 B2 * | 8/2014 | Childs et al. | 335/219 |
| D687,438 S * | 8/2013 | Lu | D14/440 | 2003/0034263 A1 * | 2/2003 | D'Hoste | 206/320 |
| D690,305 S * | 9/2013 | Wen | D14/440 | 2008/0302687 A1 * | 12/2008 | Sirichai et al. | 206/320 |
| D690,702 S * | 10/2013 | Chung | D14/440 | 2009/0159763 A1 * | 6/2009 | Kim | 248/174 |
| D691,142 S * | 10/2013 | Diebel | D14/440 | 2011/0266194 A1 * | 11/2011 | Bau | 206/736 |
| D692,434 S * | 10/2013 | Kim | D14/440 | 2011/0290687 A1 * | 12/2011 | Han | 206/320 |
| D693,823 S * | 11/2013 | Chen et al. | D14/440 | 2012/0211377 A1 * | 8/2012 | Sajid | 206/216 |
| D695,296 S * | 12/2013 | Hsu | D14/440 | 2012/0211613 A1 * | 8/2012 | Yang et al. | 248/174 |
| D696,253 S * | 12/2013 | Akana et al. | D14/345 | 2012/0305413 A1 * | 12/2012 | Chung | 206/45.23 |
| D696,256 S * | 12/2013 | Piedra et al. | D14/440 | 2012/0308981 A1 * | 12/2012 | Libin et al. | 434/362 |
| D696,669 S * | 12/2013 | Akana et al. | D14/440 | 2013/0015088 A1 * | 1/2013 | Wu | 206/320 |
| 8,640,864 B2 * | 2/2014 | Chen et al. | 206/45.2 | 2013/0020216 A1 * | 1/2013 | Chiou | 206/320 |
| 8,657,112 B2 * | 2/2014 | Igarashi | 206/320 | 2013/0140203 A1 * | 6/2013 | Chiang | 206/320 |
| D701,205 S * | 3/2014 | Akana et al. | D14/345 | 2013/0213838 A1 * | 8/2013 | Tsai et al. | 206/320 |
| | | | | 2013/0214661 A1 * | 8/2013 | McBroom | 312/325 |
| | | | | 2013/0241381 A1 * | 9/2013 | Hynecek et al. | 312/240 |
| | | | | 2013/0264459 A1 * | 10/2013 | McCosh et al. | 248/688 |

* cited by examiner

FIG. 1

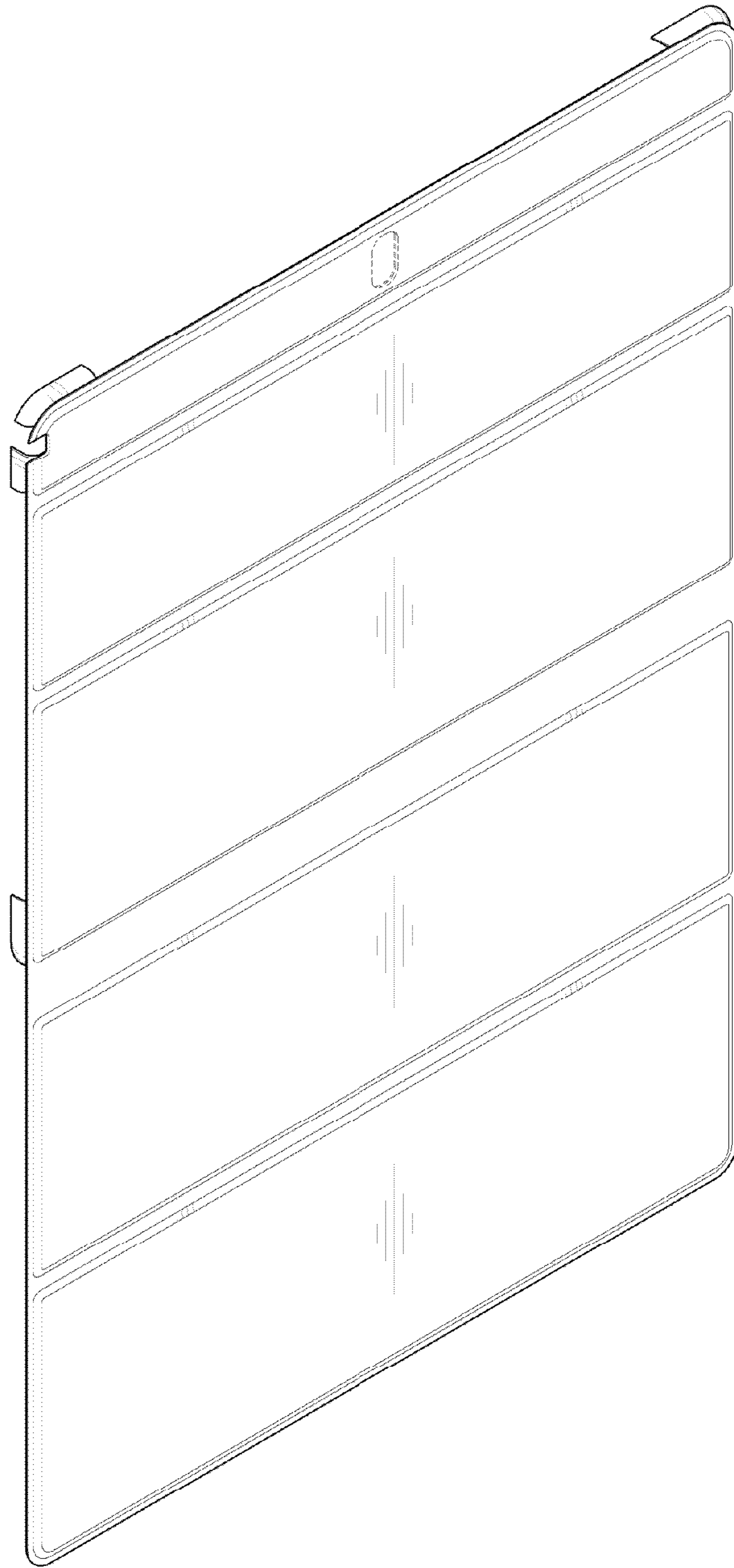


FIG. 2

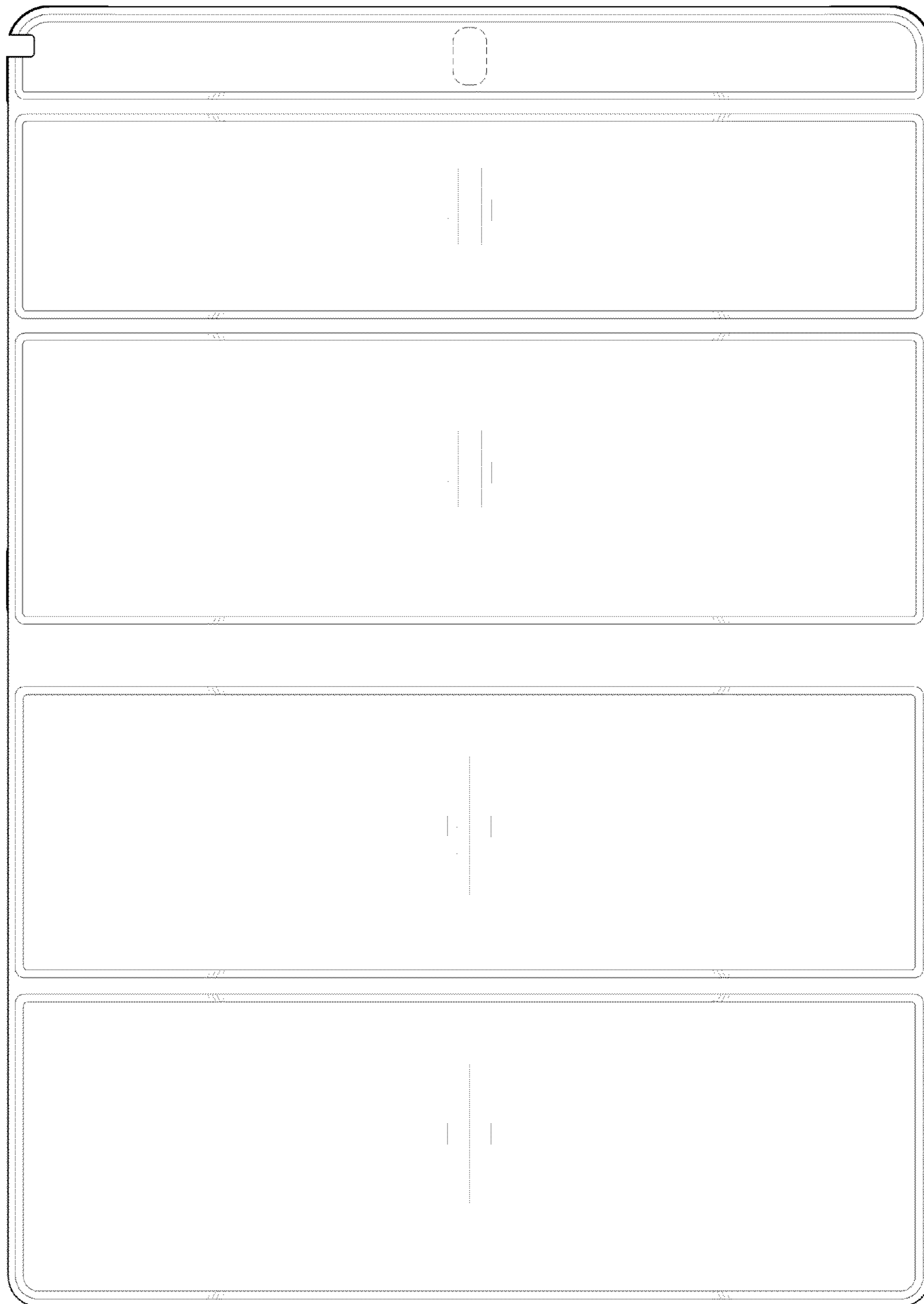


FIG. 3

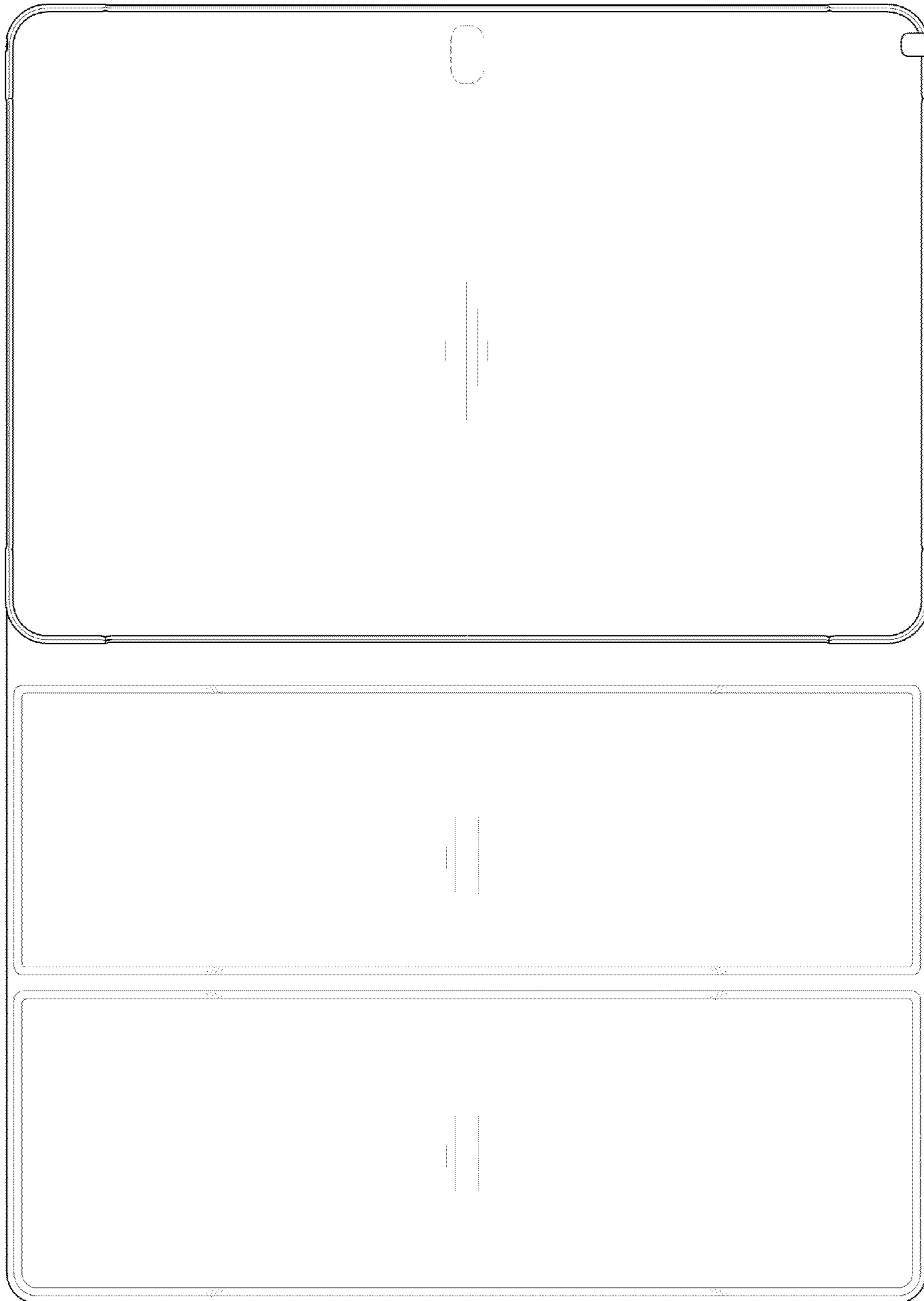


FIG. 4

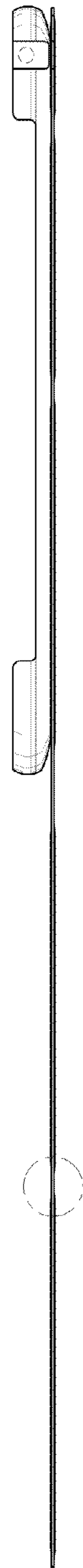


FIG. 5

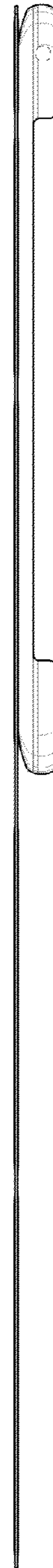


FIG. 6

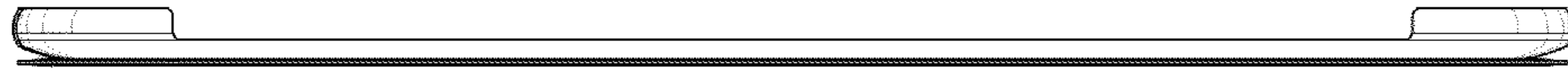


FIG. 7

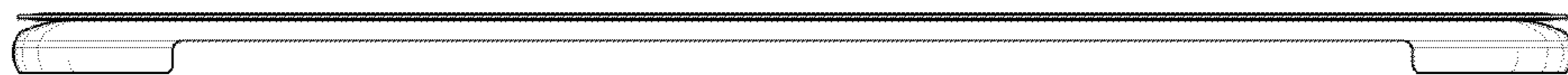


FIG. 8

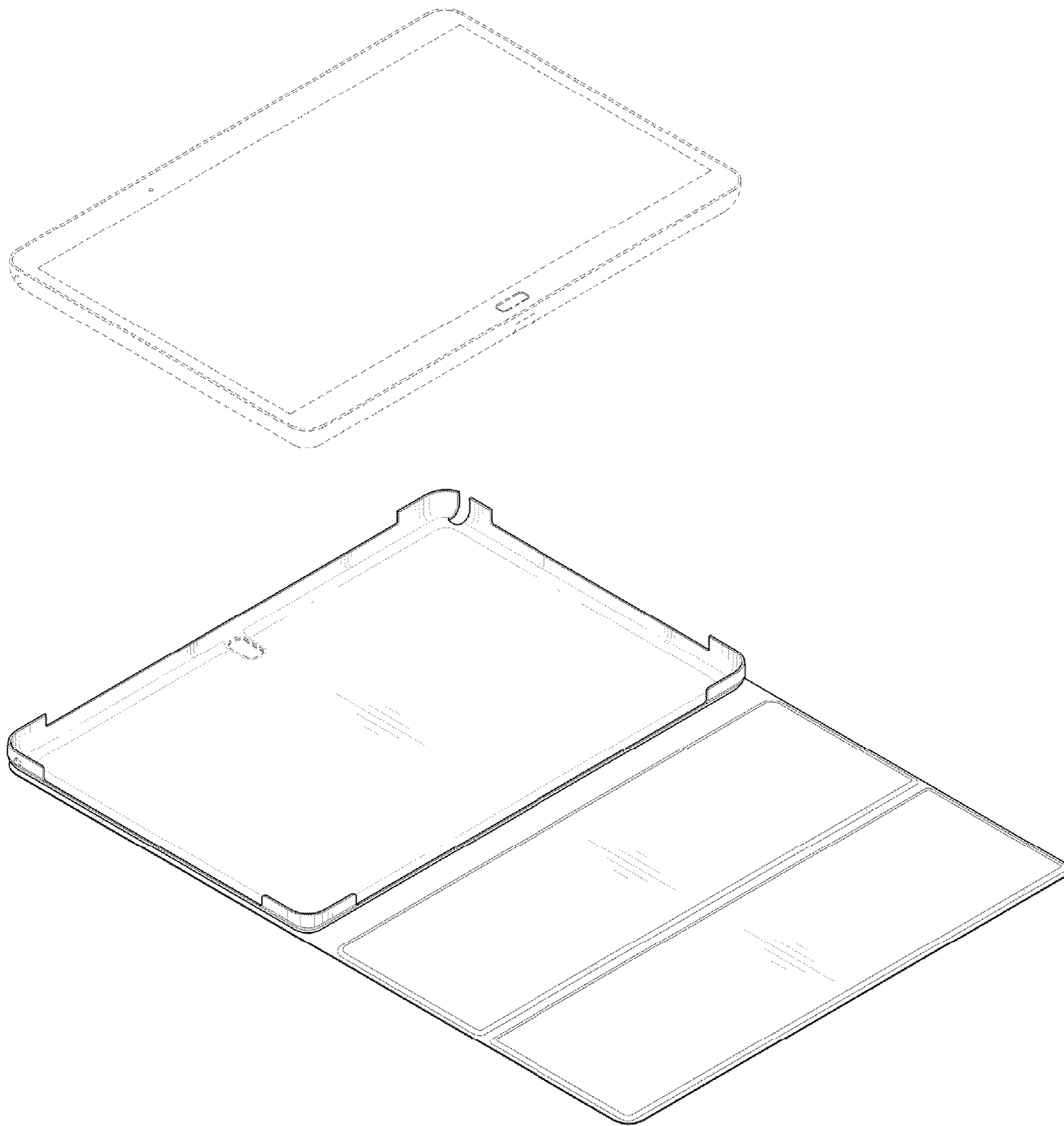


FIG. 9

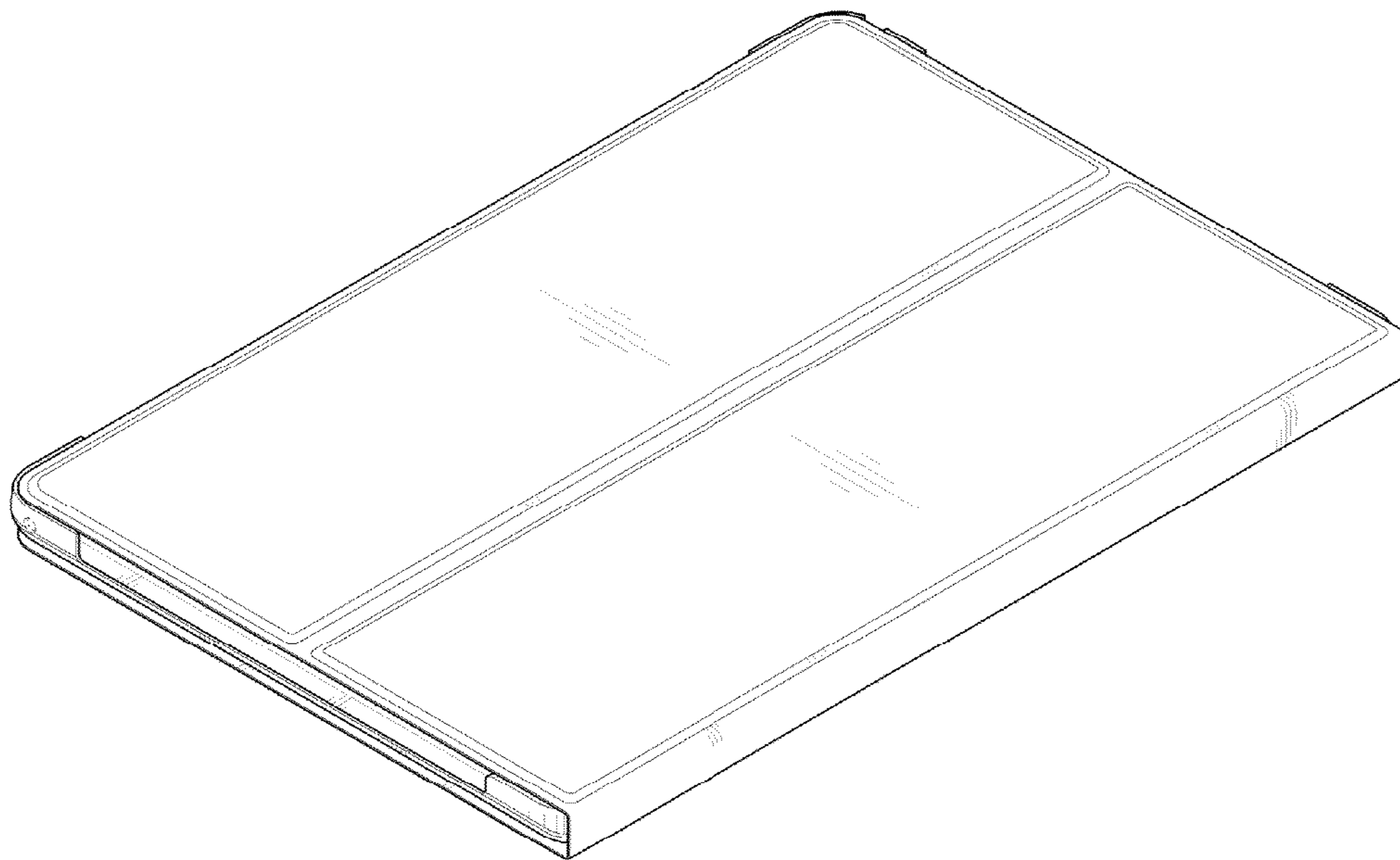


FIG. 10

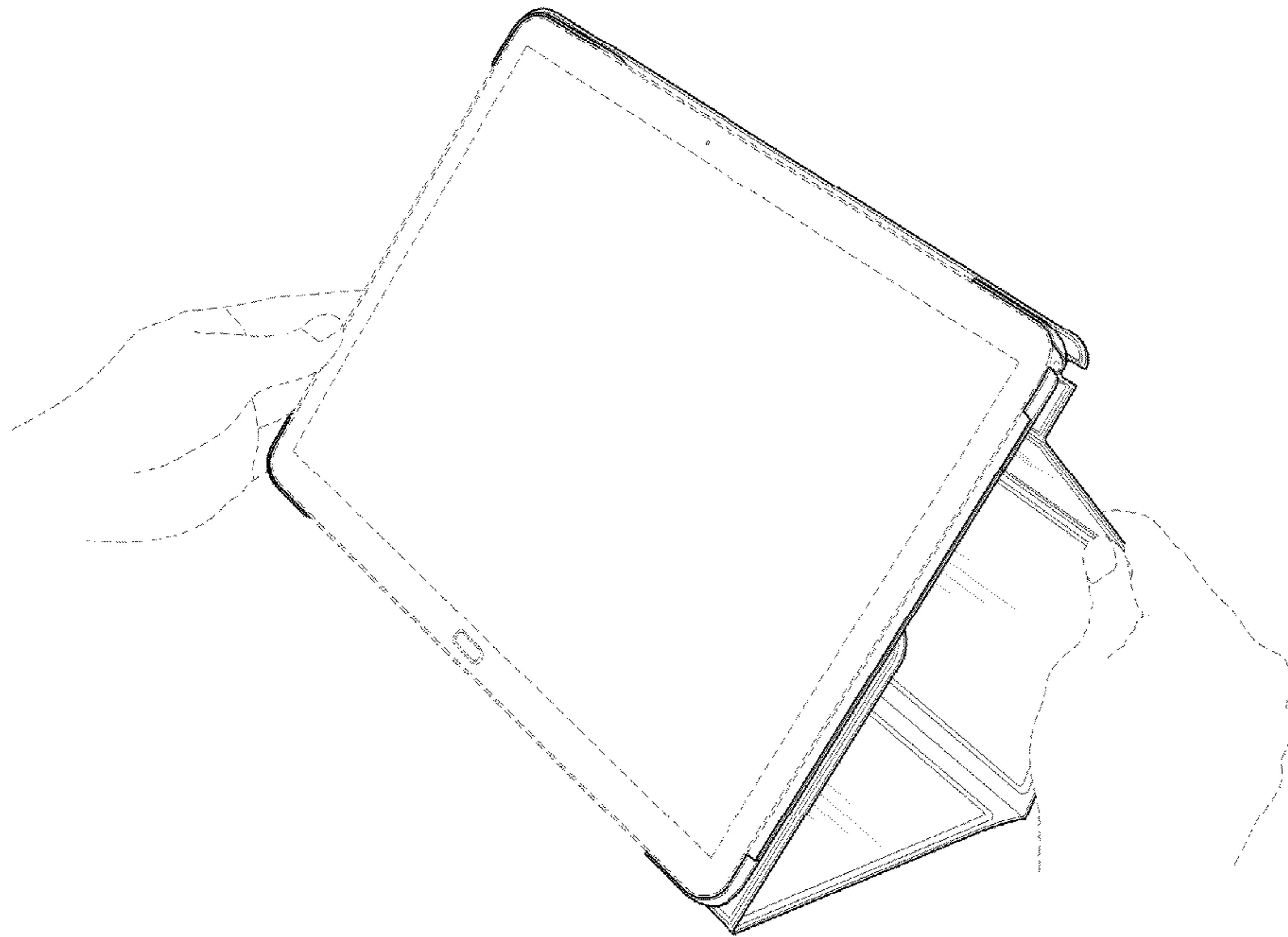


FIG. 11

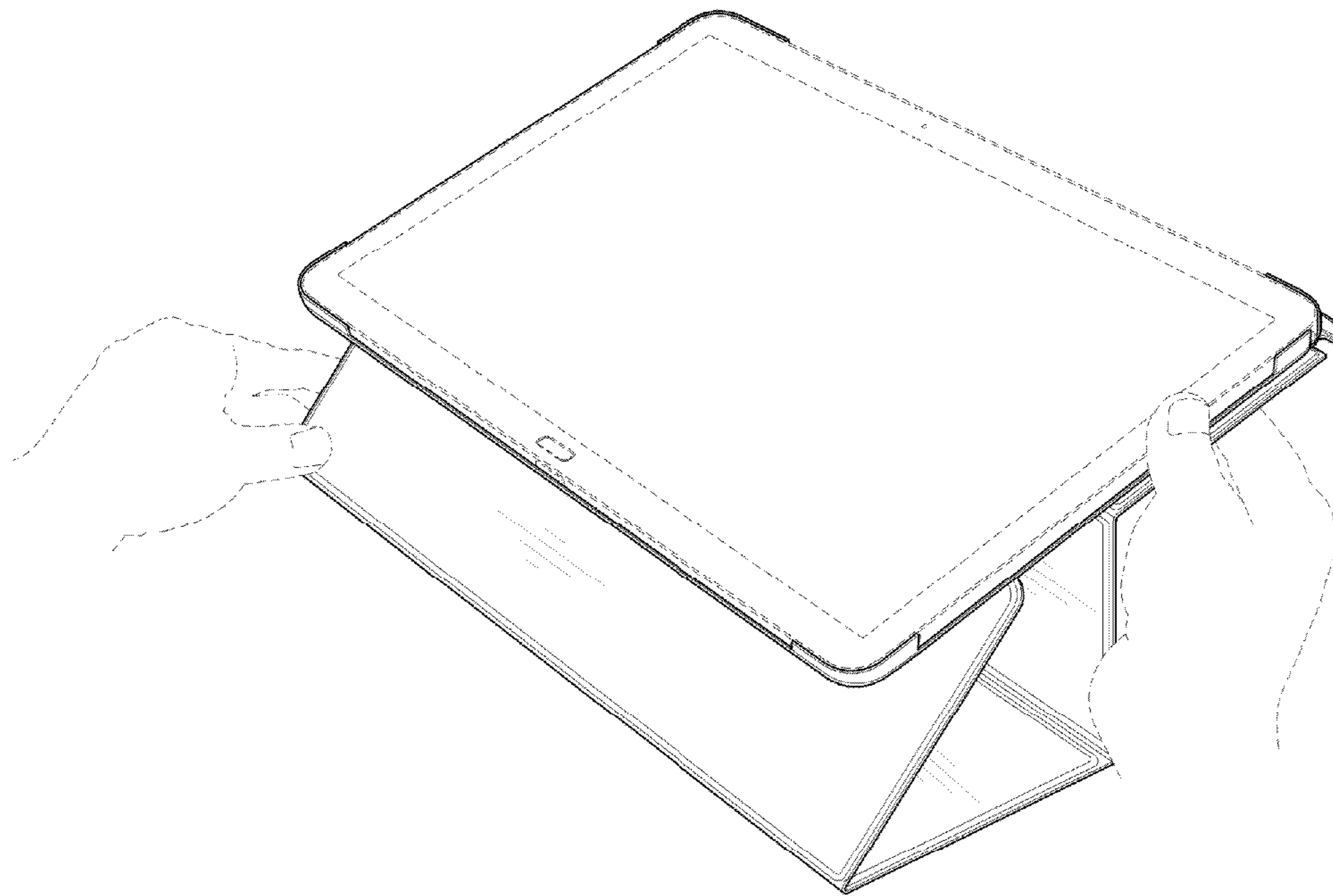


FIG. 12

