



US00D724089S

(12) **United States Design Patent**  
**Melanson et al.**

(10) **Patent No.:** **US D724,089 S**  
(45) **Date of Patent:** **\*\* Mar. 10, 2015**

(54) **CASE FOR ELECTRONIC DEVICE**

(71) Applicant: **Otter Products, LLC**, Fort Collins, CO (US)

(72) Inventors: **Christopher Melanson**, Fort Collins, CO (US); **Lee Gates**, Fort Collins, CO (US)

(73) Assignee: **Otter Products, LLC**, Fort Collins, CO (US)

(\*\*) Term: **14 Years**

(21) Appl. No.: **29/454,070**

(22) Filed: **May 6, 2013**

(51) **LOC (10) Cl.** ..... **14-02**

(52) **U.S. Cl.**  
USPC ..... **D14/440**

(58) **Field of Classification Search**

CPC ..... G06F 1/16; G06F 1/1626; G06F 1/1633;  
G06F 1/1675; G06F 1/1679; G02F 1/1306;  
G02F 1/133; G02F 1/133308; G02F 1/153;  
G02F 1/1533; G02F 2001/133317; H04M  
1/185; H04M 1/0252; H04B 1/3888  
USPC ..... D14/250, 251, 253, 240, 217, 496, 440,  
D14/203.3, 203.4, 203.5, 203.8, 341, 318;  
D3/218, 215, 201, 294, 289, 900;  
220/4.02; 248/309.1; 361/679.56;  
379/426, 433.11, 455; 455/575.1,  
455/575.8, 457.1; 190/100; 206/305, 320,  
206/45.2; D21/469; 312/240

See application file for complete search history.

(56) **References Cited**

**U.S. PATENT DOCUMENTS**

D581,155 S 11/2008 Richardson et al.  
D587,008 S 2/2009 Richardson et al.  
D589,016 S 3/2009 Richardson et al.  
D593,746 S 6/2009 Richardson et al.  
D597,301 S 8/2009 Richardson et al.

D603,602 S 11/2009 Richardson et al.  
D605,850 S 12/2009 Richardson et al.  
D613,282 S 4/2010 Richardson et al.  
D615,535 S 5/2010 Richardson et al.  
D617,784 S 6/2010 Richardson et al.  
D623,639 S 9/2010 Richardson et al.  
D626,964 S 11/2010 Richardson et al.  
D634,741 S 3/2011 Richardson et al.  
7,933,122 B2 4/2011 Richardson et al.  
D637,589 S 5/2011 Willes et al.  
D638,411 S 5/2011 Willes et al.  
D638,413 S 5/2011 Magness et al.  
D638,828 S 5/2011 Melanson et al.  
D640,679 S 6/2011 Willes et al.  
D641,013 S 7/2011 Richardson et al.  
D641,756 S \* 7/2011 Hsieh et al. .... D14/440  
D642,170 S 7/2011 Johnson et al.  
D642,171 S 7/2011 Melanson et al.  
D643,422 S 8/2011 Smith et al.  
D643,837 S 8/2011 Smith et al.  
D644,635 S \* 9/2011 Richardson et al. .... D14/250  
D644,637 S 9/2011 Smith et al.

(Continued)

*Primary Examiner* — Cynthia Underwood

(57) **CLAIM**

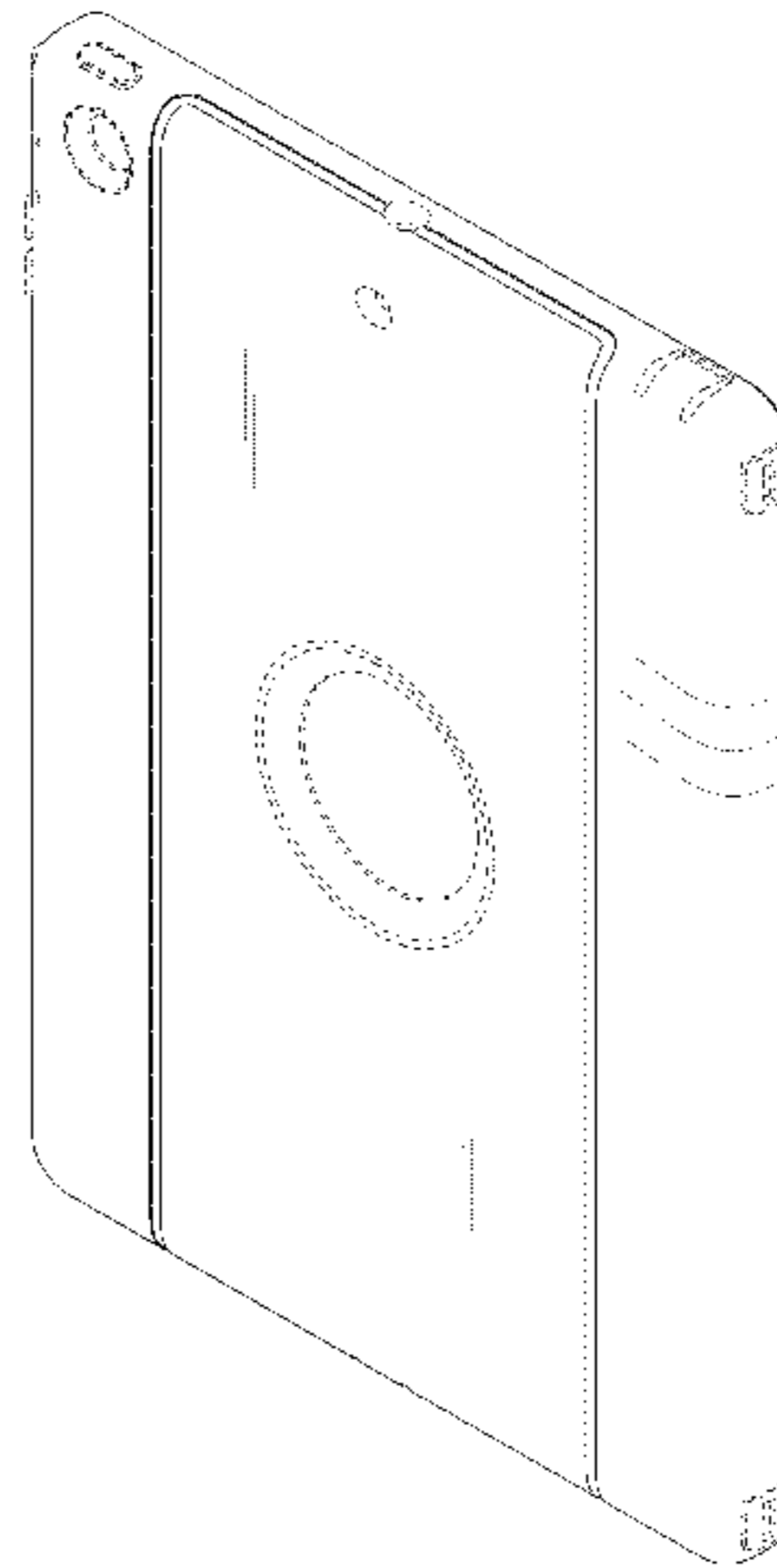
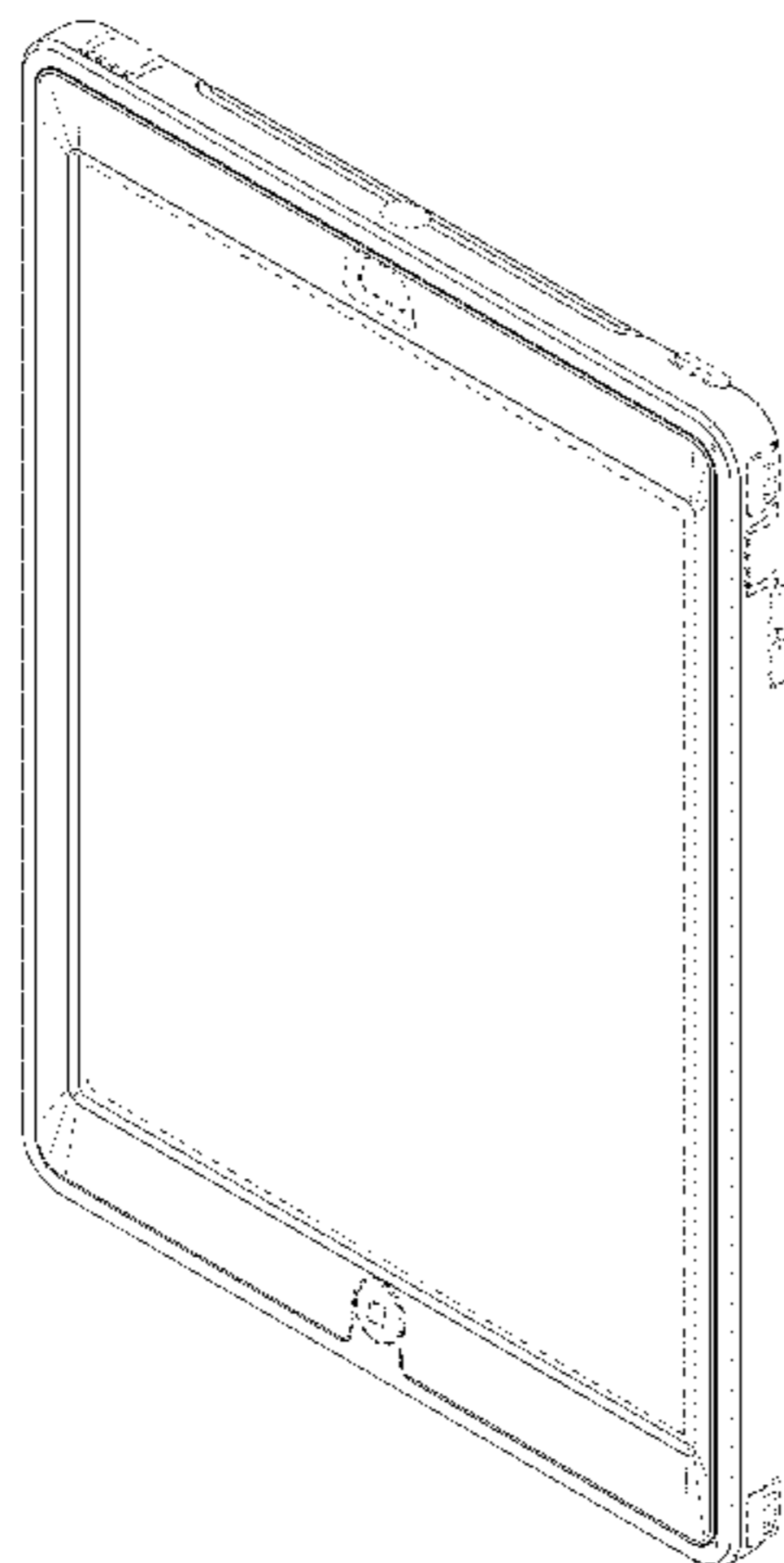
The ornamental design for a case for electronic device, as shown and described.

**DESCRIPTION**

FIG. 1 is a front isometric view of a case for electronic device showing our new design;  
FIG. 2 is a rear isometric view thereof;  
FIG. 3 is a front view thereof;  
FIG. 4 is a rear view thereof;  
FIG. 5 is a left view thereof;  
FIG. 6 is a right view thereof;  
FIG. 7 is a top view thereof; and,  
FIG. 8 is a bottom view thereof.

The dot-dash-dot broken lines represent a boundary of the claimed design. The dash-dash-dash broken lines depict unclaimed environment. The broken lines form no part of the claimed design.

**1 Claim, 6 Drawing Sheets**



(56)

**References Cited**

U.S. PATENT DOCUMENTS

D644,639 S	9/2011	Weller et al.	D673,936 S	1/2013	Michie et al.
D645,031 S	9/2011	Richardson et al.	D673,939 S	1/2013	Chang et al.
D649,347 S	11/2011	Smith et al.	D673,940 S	1/2013	Chang et al.
D651,203 S	12/2011	Michie et al.	D673,941 S	1/2013	Melanson et al.
D651,594 S	1/2012	Melanson et al.	D674,791 S	1/2013	Melanson et al.
D654,485 S	2/2012	Chang et al.	D675,603 S	2/2013	Melanson et al.
D654,487 S	2/2012	Weller et al.	D676,036 S	2/2013	Chang et al.
D654,490 S *	2/2012	Weller et al. .... D14/250	D676,435 S	2/2013	Chang et al.
D654,492 S	2/2012	Melanson et al.	D676,838 S	2/2013	Magness et al.
D657,137 S	4/2012	Weller et al.	D677,251 S	3/2013	Melanson et al.
D661,482 S	6/2012	Chang et al.	D680,522 S	4/2013	Melanson
D661,483 S	6/2012	Weller et al.	D681,023 S	4/2013	Weller et al.
D673,539 S	1/2013	Magness et al.	D681,613 S	5/2013	Magness et al.
D673,541 S	1/2013	Weller et al.	D681,617 S	5/2013	Weller et al.
D673,543 S	1/2013	Melanson et al.	D681,641 S *	5/2013	Van Den Nieuwenhuizen et al. .... D14/440
D673,545 S	1/2013	Magness et al.	D683,340 S	5/2013	Chang et al.
D673,546 S	1/2013	Magness et al.	D683,341 S	5/2013	Melanson et al.
D673,550 S	1/2013	Magness et al.	D684,568 S	6/2013	Fitzgerald et al.
D673,552 S	1/2013	Weller et al.	D695,744 S *	12/2013	Weller et al. .... D14/440
D673,569 S	1/2013	Smith et al.	D695,746 S *	12/2013	Magness et al. .... D14/440
			D703,652 S *	4/2014	Melanson et al. .... D14/250
			D709,868 S *	7/2014	Witter et al. .... D14/250

\* cited by examiner

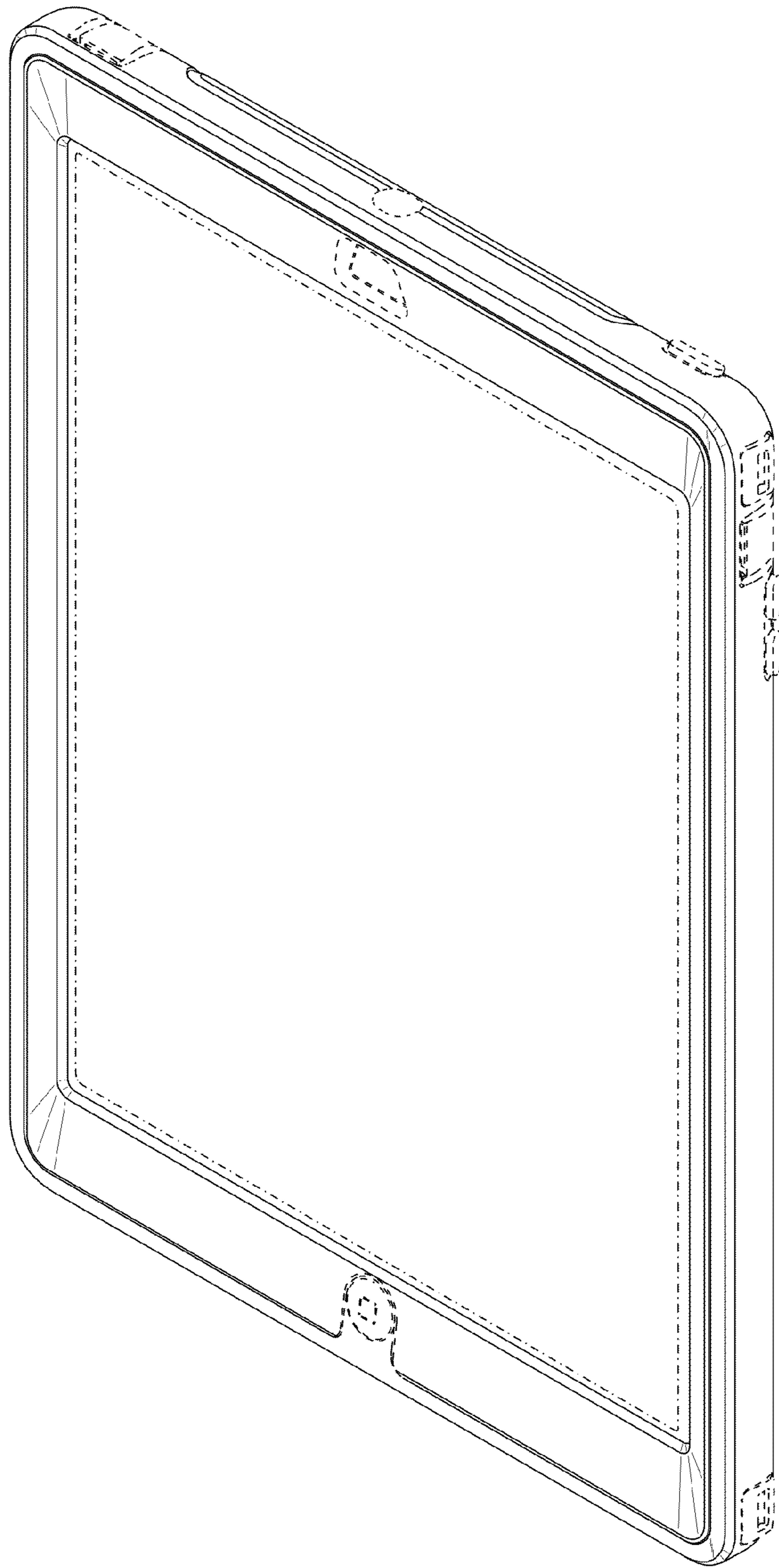


FIG. 1

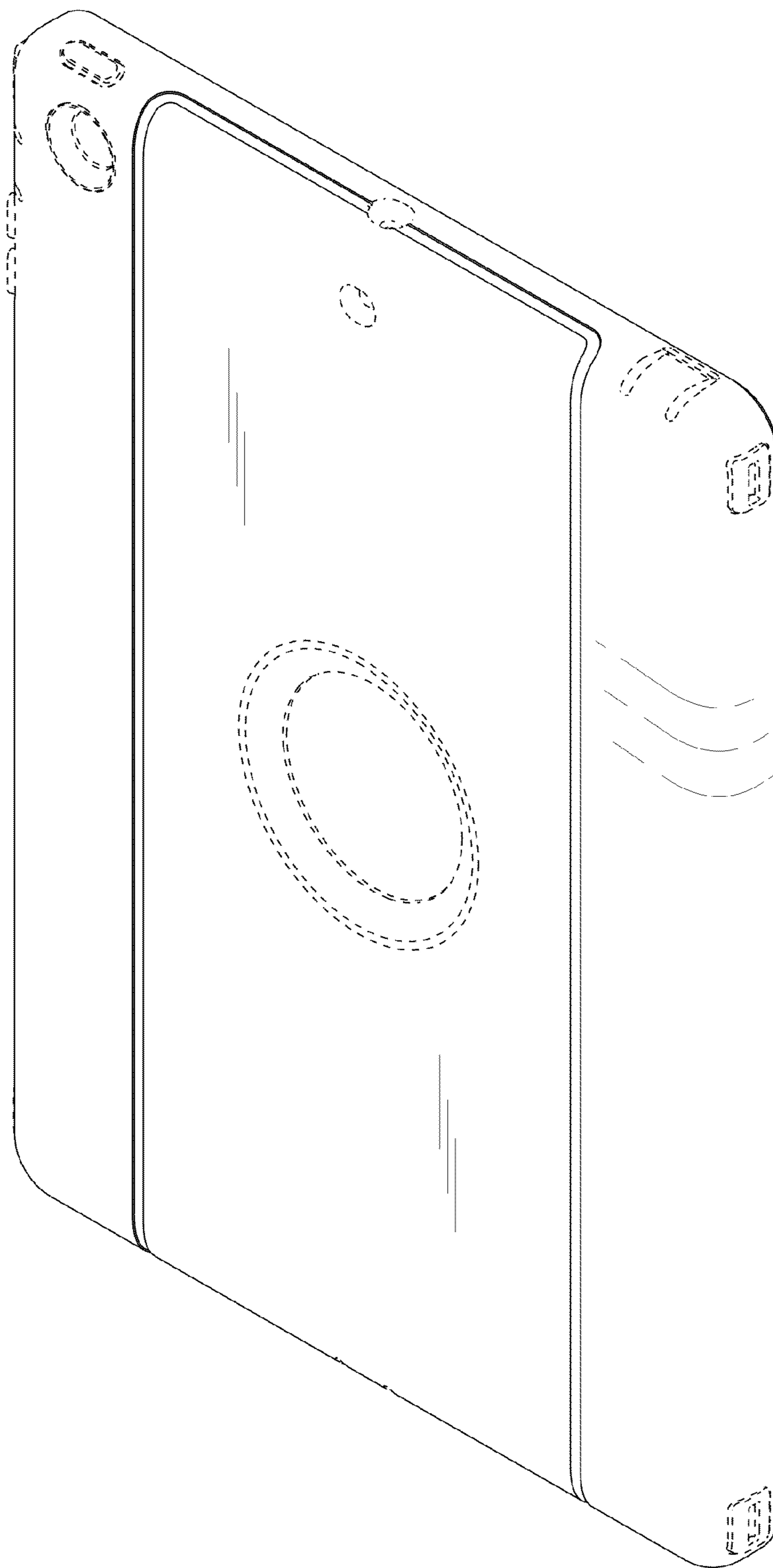


FIG. 2



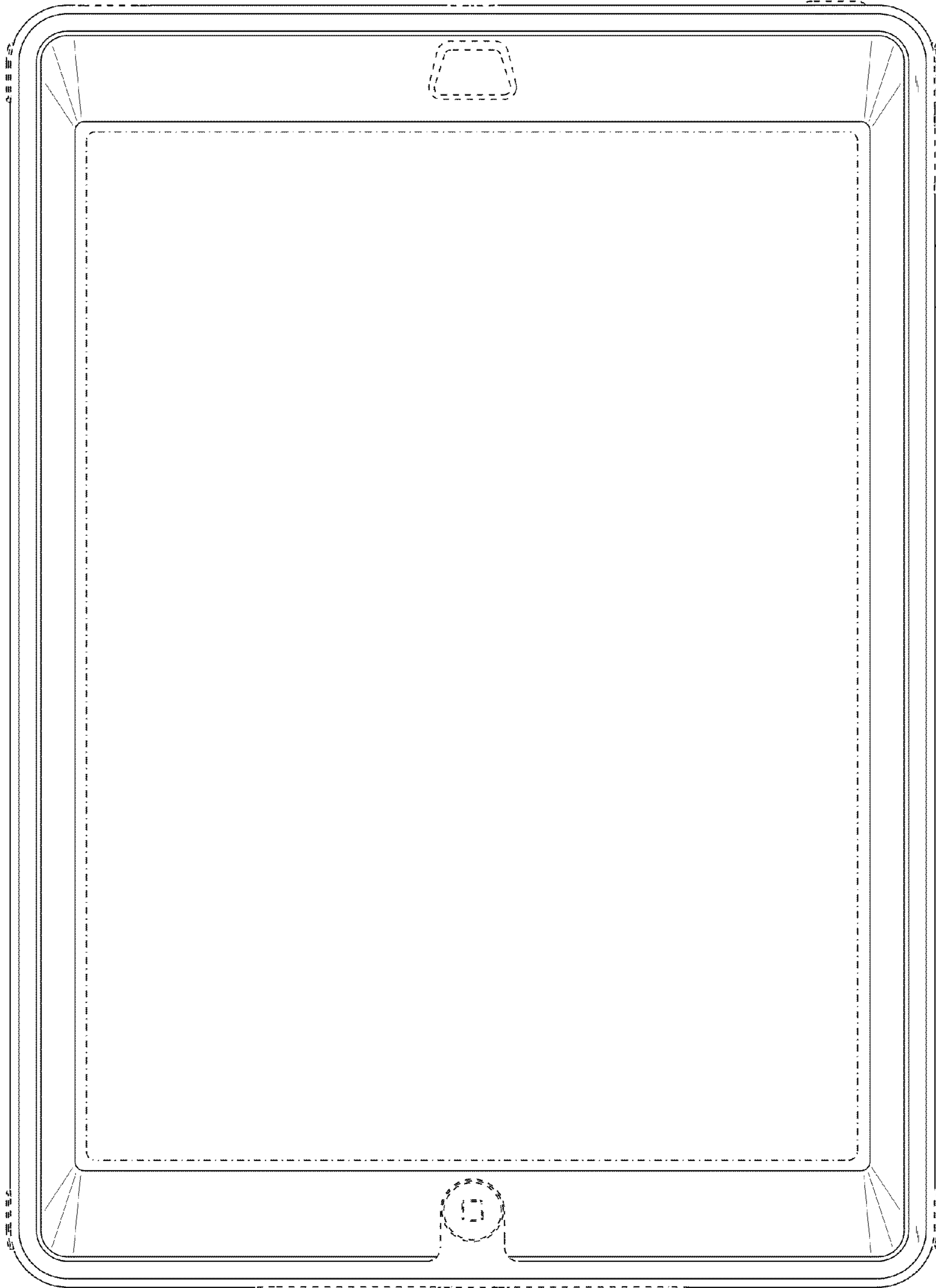


FIG. 3

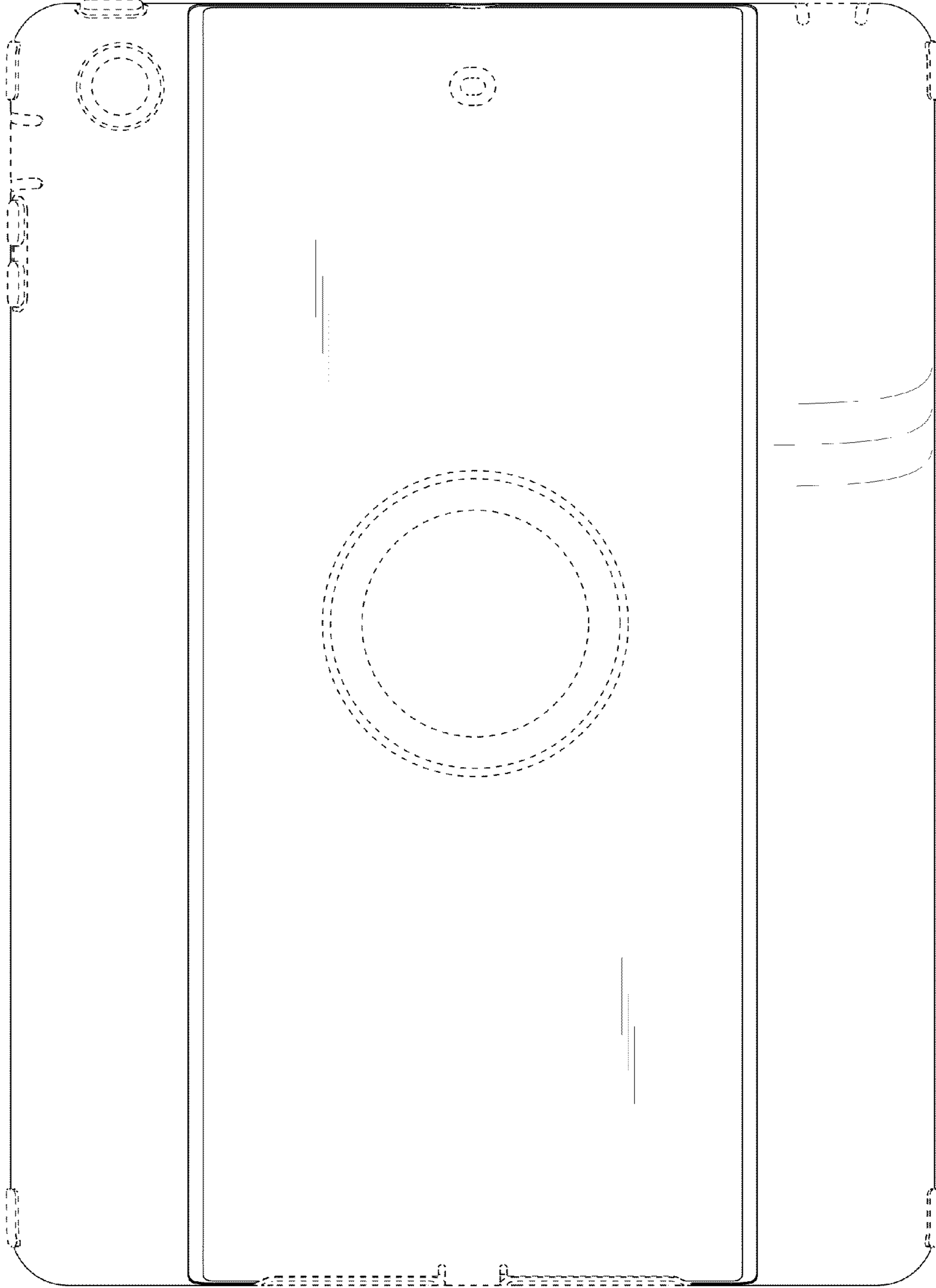


FIG. 4

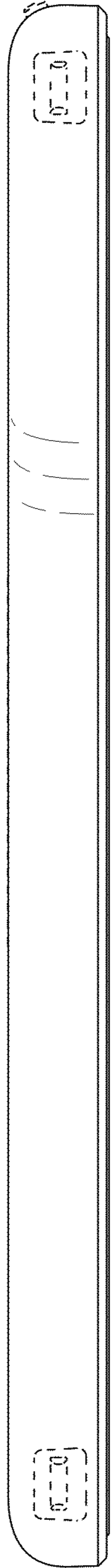


FIG. 5

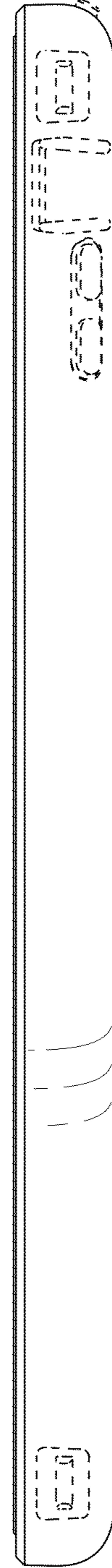


FIG. 6

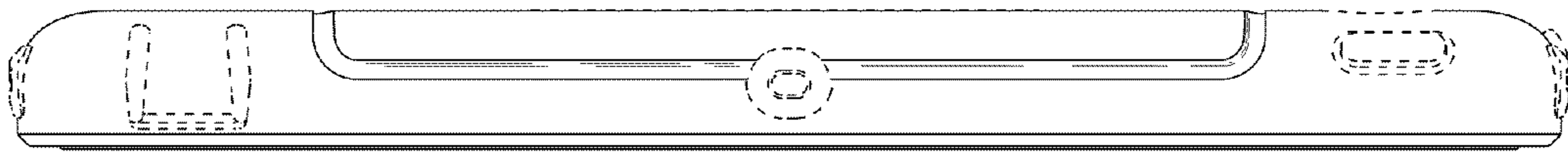


FIG. 7

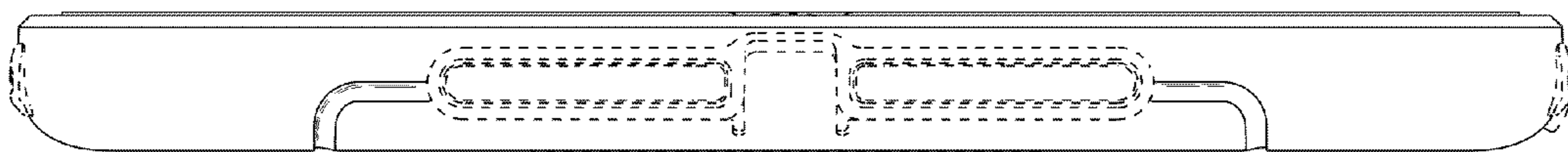


FIG. 8