



US00D724088S

(12) **United States Design Patent**
Giometti

(10) **Patent No.:** **US D724,088 S**
(45) **Date of Patent:** **** Mar. 10, 2015**

- (54) **REMOTE FARE READER**
- (71) Applicant: **SPX Corporation**, Charlotte, NC (US)
- (72) Inventor: **Tim Giometti**, Elks Grove Village, IL (US)
- (73) Assignee: **SPX Corporation** DE (US)
- (**) Term: **14 Years**
- (21) Appl. No.: **29/496,730**
- (22) Filed: **Jul. 16, 2014**
- (51) **LOC (10) Cl.** **14-02**
- (52) **U.S. Cl.**
USPC **D14/420**
- (58) **Field of Classification Search**
USPC D14/420, 426-428, 447, 453, 385, 363, D14/358, 240, 356, 362, 365, 370, 383, 388, D14/432, 433, 435, 439, 442, 443; D18/4.6; D13/158, 162, 171, 147, 164; 235/440, 235/462.13, 439, 492, 380, 375, 486, 382, 235/451, 487, 381, 441, 472.01-472.03, 235/462.45, 462.47, 462.43; 340/572.7, 340/573.3, 572.8, 572.1, 572.4, 10.1, 5.86; 455/41.1; 700/225; 710/2, 301, 64; 336/221, 232; 439/159; 361/752, 361/679.31, 679.32, 679.38, 679.45, 800; 358/473; 379/436, 438; 312/223.1
See application file for complete search history.

(56) **References Cited**
U.S. PATENT DOCUMENTS

D363,440	S *	10/1995	Hoofnagle et al.	D10/78
5,504,316	A *	4/1996	Bridgelall et al.	235/462.07
5,750,975	A *	5/1998	Myerson et al.	235/462.45
D402,979	S *	12/1998	Ogasawara	D14/507
5,861,615	A *	1/1999	Bridgelall et al.	235/462.27
D430,048	S *	8/2000	Hoofnagle et al.	D10/78
D460,559	S *	7/2002	Knieriem et al.	D24/186
6,460,768	B2 *	10/2002	Ring et al.	235/462.43

6,544,174	B2 *	4/2003	West et al.	600/300
6,575,368	B1 *	6/2003	Tamburrini et al.	235/462.25
D480,397	S *	10/2003	Forsythe et al.	D14/383
6,719,201	B2 *	4/2004	Tamburrini et al.	235/462.07
D489,722	S *	5/2004	Matuschek	D14/388
D489,816	S *	5/2004	Ross	D24/107
6,899,274	B2 *	5/2005	Kumagai et al.	235/472.01
D510,533	S *	10/2005	Hoofnagle	D10/78
D515,574	S *	2/2006	Colburn	D14/383
D536,795	S *	2/2007	Knieriem et al.	D24/186
D543,475	S *	5/2007	Janky	D10/78
7,222,794	B2 *	5/2007	Kumagai et al.	235/462.43
7,243,850	B2 *	7/2007	Tamburrini et al.	235/462.45
7,273,178	B2 *	9/2007	Shimura	235/462.36
D586,345	S *	2/2009	Kim	D14/383
D590,828	S *	4/2009	Sherrod et al.	D14/385
7,527,207	B2 *	5/2009	Acosta et al.	235/462.31
7,556,201	B2 *	7/2009	Schonenberg et al.	235/462.4
D609,351	S *	2/2010	Wagener et al.	D24/186
D613,289	S *	4/2010	Alegiani et al.	D14/426
D613,411	S *	4/2010	Collins et al.	D24/186
D618,355	S *	6/2010	Delaey	D24/185

(Continued)

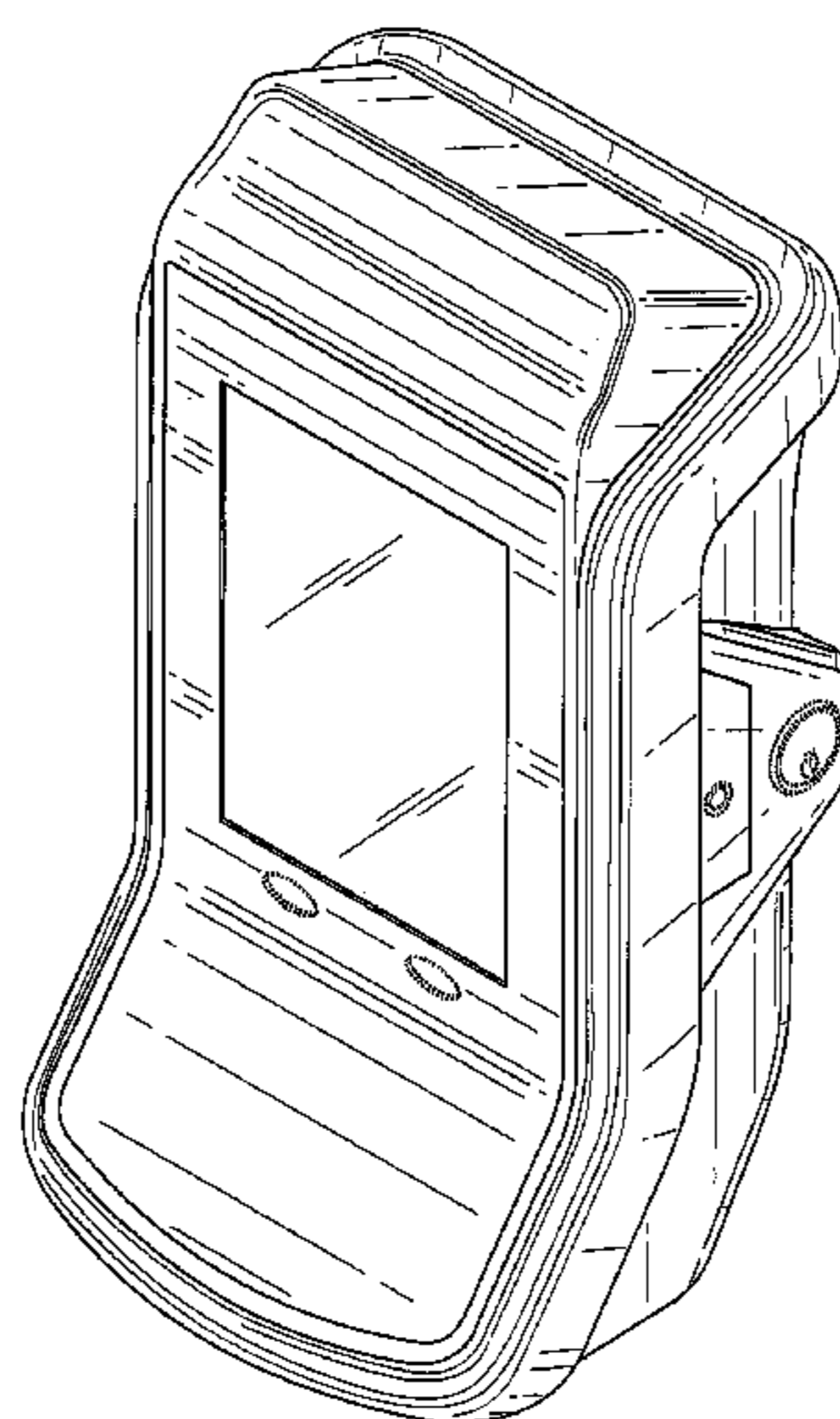
Primary Examiner — Susan Moon Lee
(74) *Attorney, Agent, or Firm* — Baker & Hostetler LLP

(57) **CLAIM**
The ornamental design for a remote fare reader, as shown and described.

DESCRIPTION

FIG. 1 is a perspective view of the front, top, and right side of the remote fare reader, particularly showing the inventive design thereof;
FIG. 2 is a front view thereof;
FIG. 3 is a rear view thereof;
FIG. 4 is a right side view thereof;
FIG. 5 is a left side view thereof;
FIG. 6 is a top view thereof; and,
FIG. 7 is a bottom view thereof.
Broken lines and entirely unshaded portions contained within broken lines are not claimed.

1 Claim, 7 Drawing Sheets



(56)

References Cited

U.S. PATENT DOCUMENTS

D624,077 S *	9/2010	Maeda et al.	D14/385	D681,036 S *	4/2013	Taunay Da Graca Couto	D14/385
D624,915 S *	10/2010	Ferreira Sanchez	D14/385	D681,638 S *	5/2013	Taunay Da Graca Couto	D14/385
D634,227 S *	3/2011	Marzynski et al.	D10/78	D682,432 S *	5/2013	Khan et al.	D24/186
D637,507 S *	5/2011	Silverio et al.	D10/78	D683,248 S *	5/2013	Marzynski	D10/78
D643,126 S *	8/2011	Barker et al.	D24/186	D688,144 S *	8/2013	Svard et al.	D10/78
D646,188 S *	10/2011	Chen et al.	D10/78	D691,152 S *	10/2013	Meisel et al.	D14/480.3
D646,599 S *	10/2011	Chen et al.	D10/78	8,561,895 B2 *	10/2013	Gomez et al.	235/383
8,052,057 B2 *	11/2011	Smith et al.	235/462.07	8,561,906 B2 *	10/2013	Rudeen	235/462.21
D651,105 S *	12/2011	Teo et al.	D10/78	D693,252 S *	11/2013	Huang	D10/78
8,157,174 B2 *	4/2012	Kotlarsky et al.	235/462.07	D697,215 S *	1/2014	Billard et al.	D24/186
D659,138 S *	5/2012	Hsu et al.	D14/385	D698,447 S *	1/2014	Marzynski	D24/186
D661,209 S *	6/2012	Janky et al.	D10/78	D698,674 S *	2/2014	Mattsson	D10/78
D662,843 S *	7/2012	Ginther et al.	D10/78	D698,925 S *	2/2014	Marzynski	D24/186
D664,258 S *	7/2012	Harkin et al.	D24/186	D706,239 S *	6/2014	Chen et al.	D14/186
D669,048 S *	10/2012	List et al.	D14/129	D707,827 S *	6/2014	Tseng et al.	D24/186
D669,079 S *	10/2012	Hansen	D14/420	D711,004 S *	8/2014	Chen et al.	D24/186
D670,287 S *	11/2012	Shimizu et al.	D14/341	D711,005 S *	8/2014	Purdy et al.	D24/186
D670,393 S *	11/2012	Nygaardh	D24/186	D711,262 S *	8/2014	Kummer	D10/78
D671,934 S *	12/2012	Alman et al.	D14/253	D711,263 S *	8/2014	Elrod	D10/78
D675,617 S *	2/2013	Daniel	D14/385	D711,754 S *	8/2014	Kummer	D10/78
D675,947 S *	2/2013	Janky et al.	D10/78	2004/0169084 A1 *	9/2004	Tamburrini et al.	235/462.38
8,381,979 B2 *	2/2013	Franz	235/435	2006/0151609 A1 *	7/2006	Schonenberg et al. ..	235/462.39
D679,401 S *	4/2013	Fisher et al.	D24/186	2006/0180670 A1 *	8/2006	Acosta et al.	235/462.31
				2007/0095912 A1 *	5/2007	Lipscomb et al.	235/441

* cited by examiner

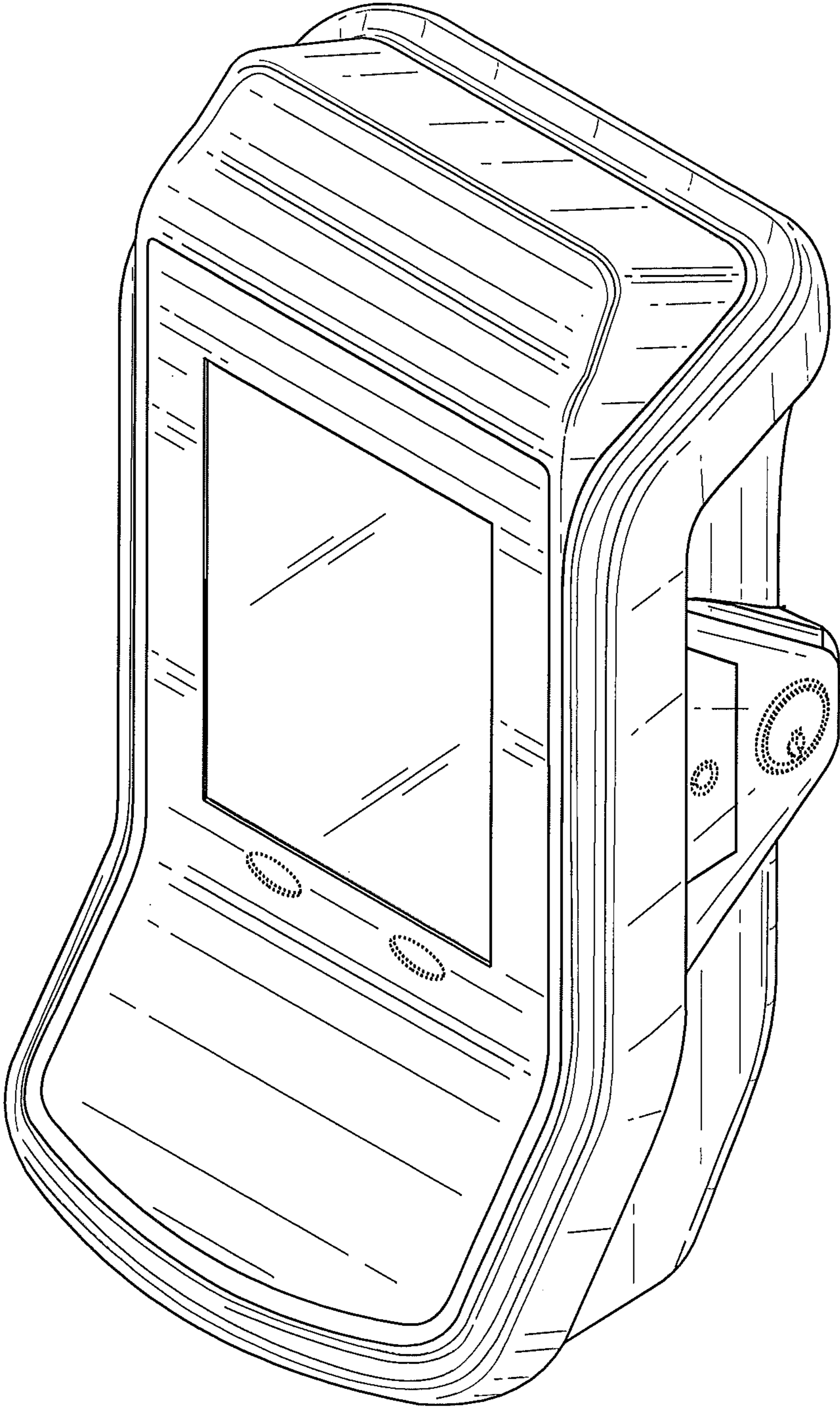


FIG. 1

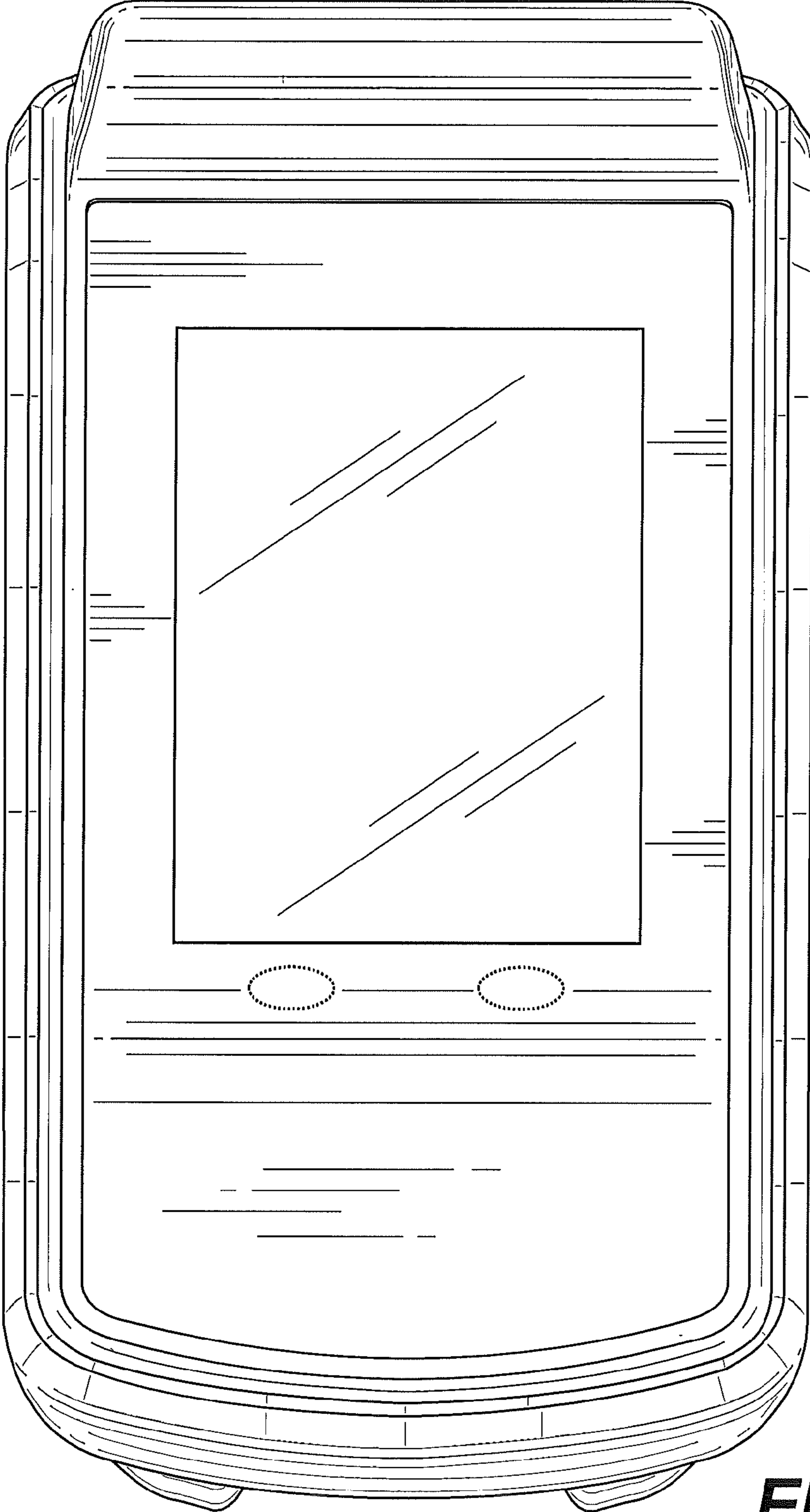


FIG. 2

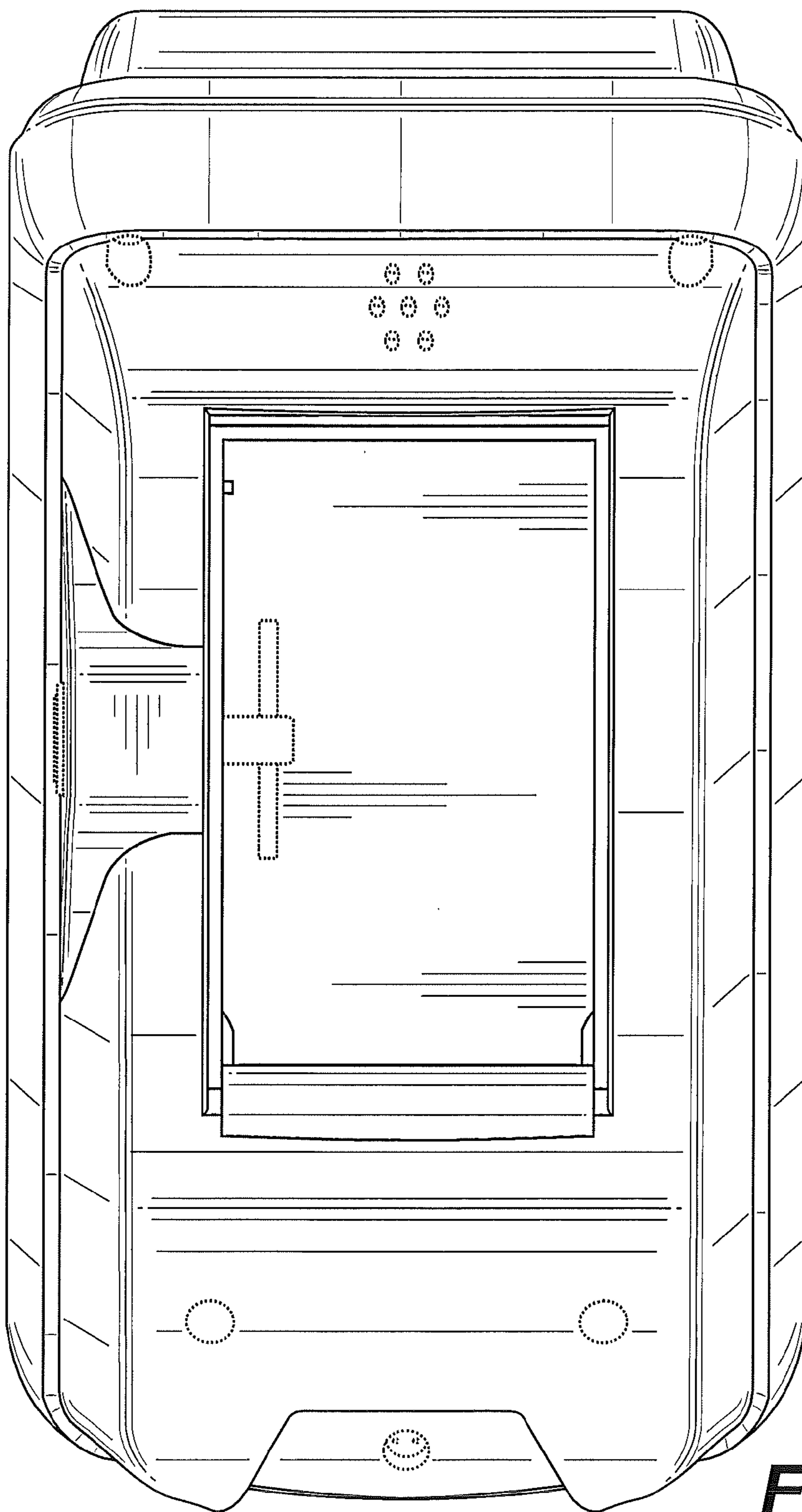


FIG. 3

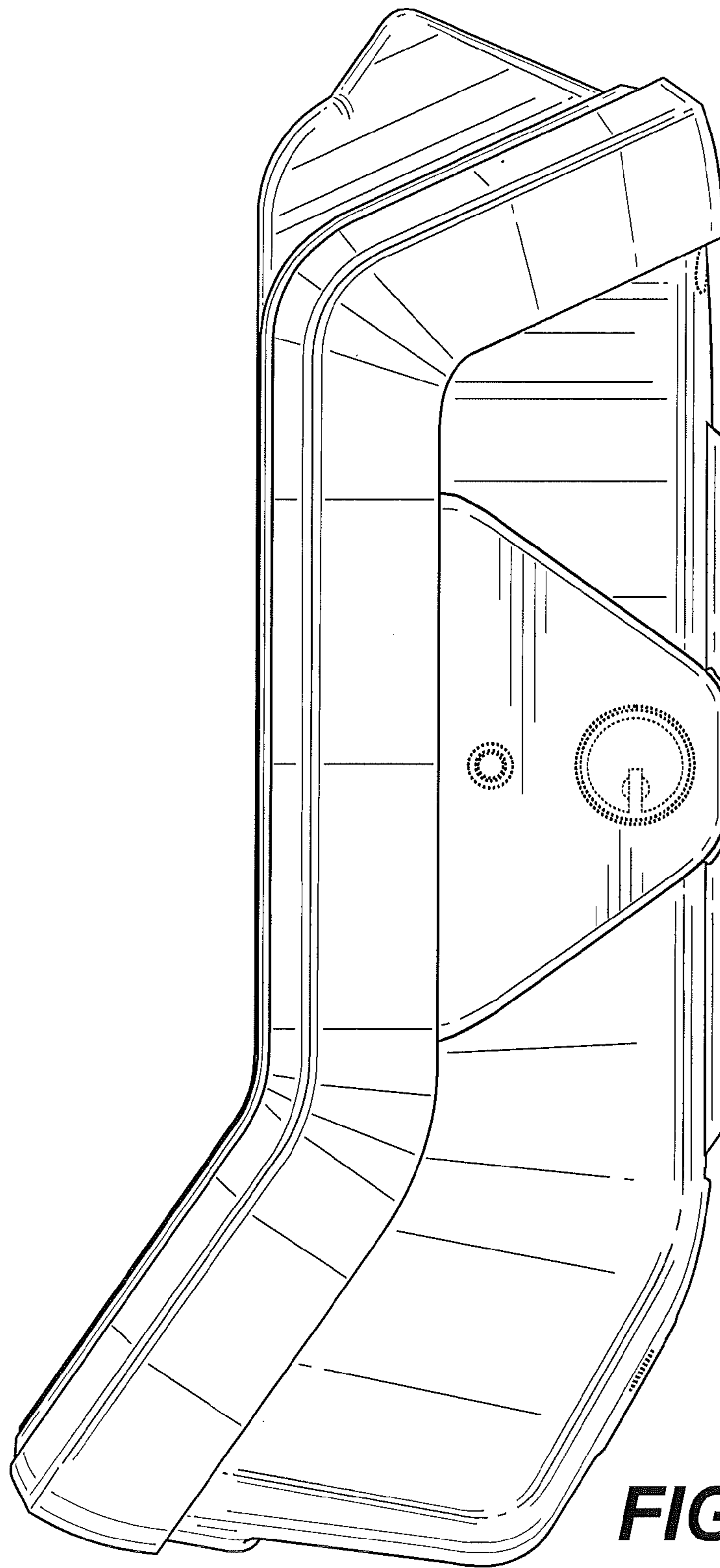


FIG. 4

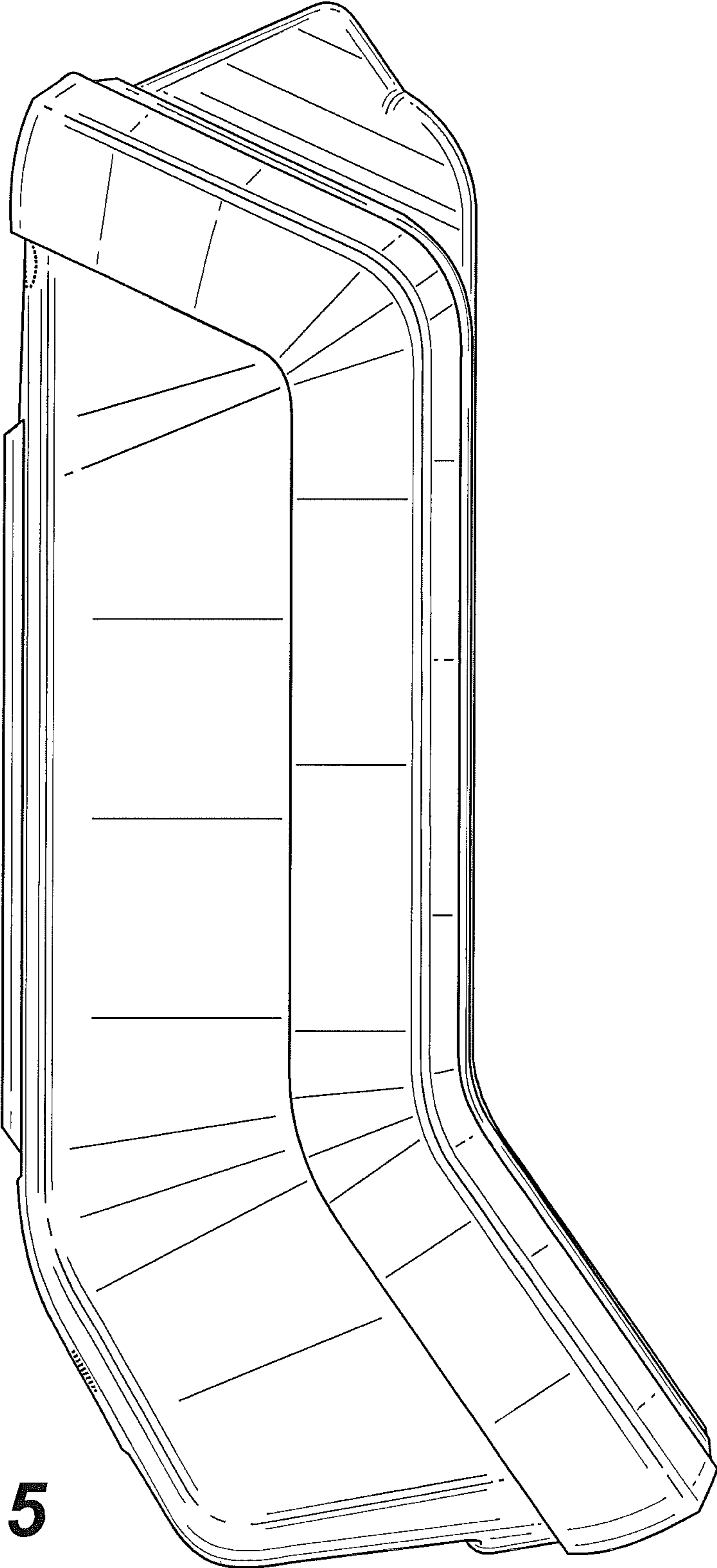


FIG. 5

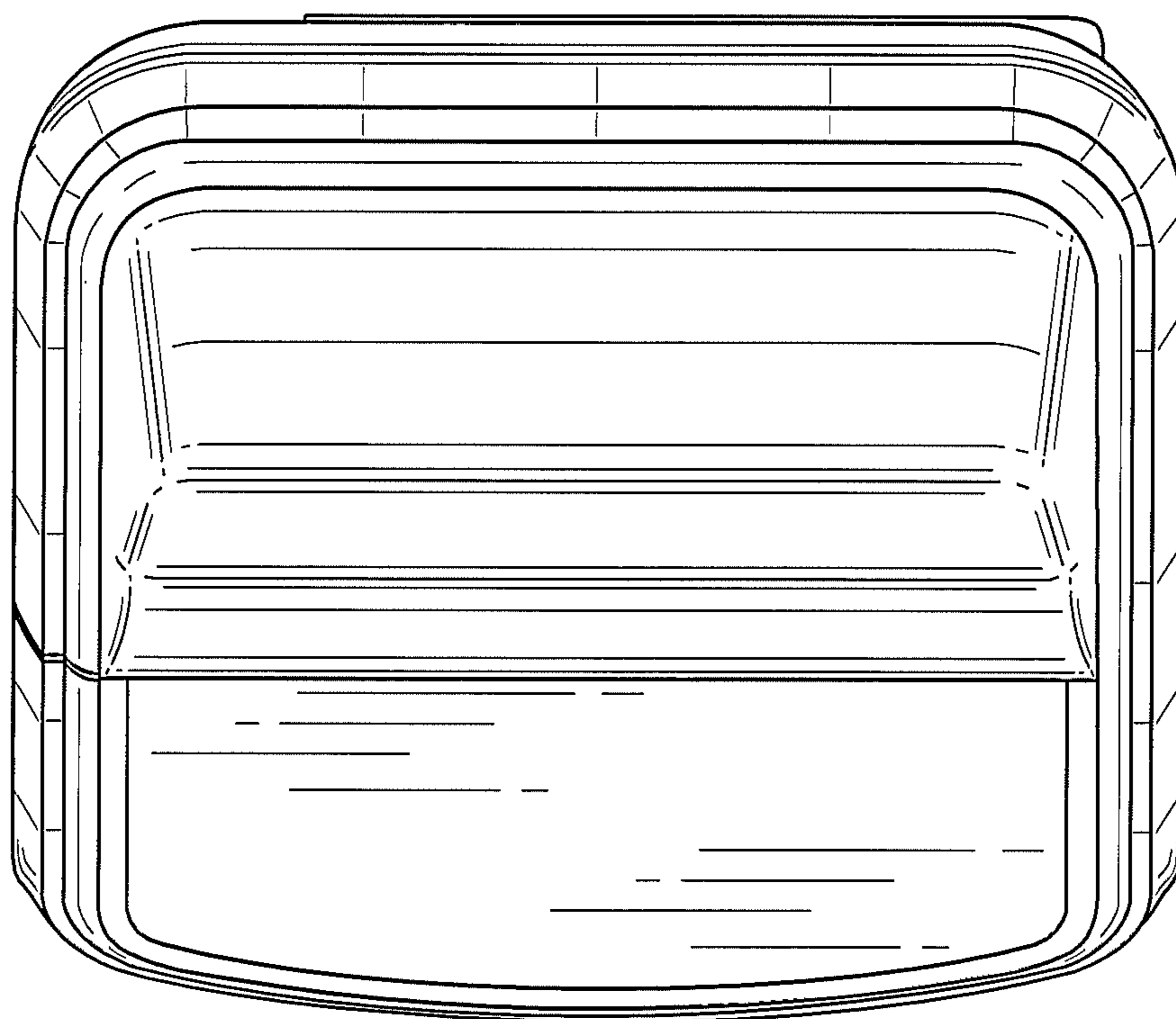


FIG. 6

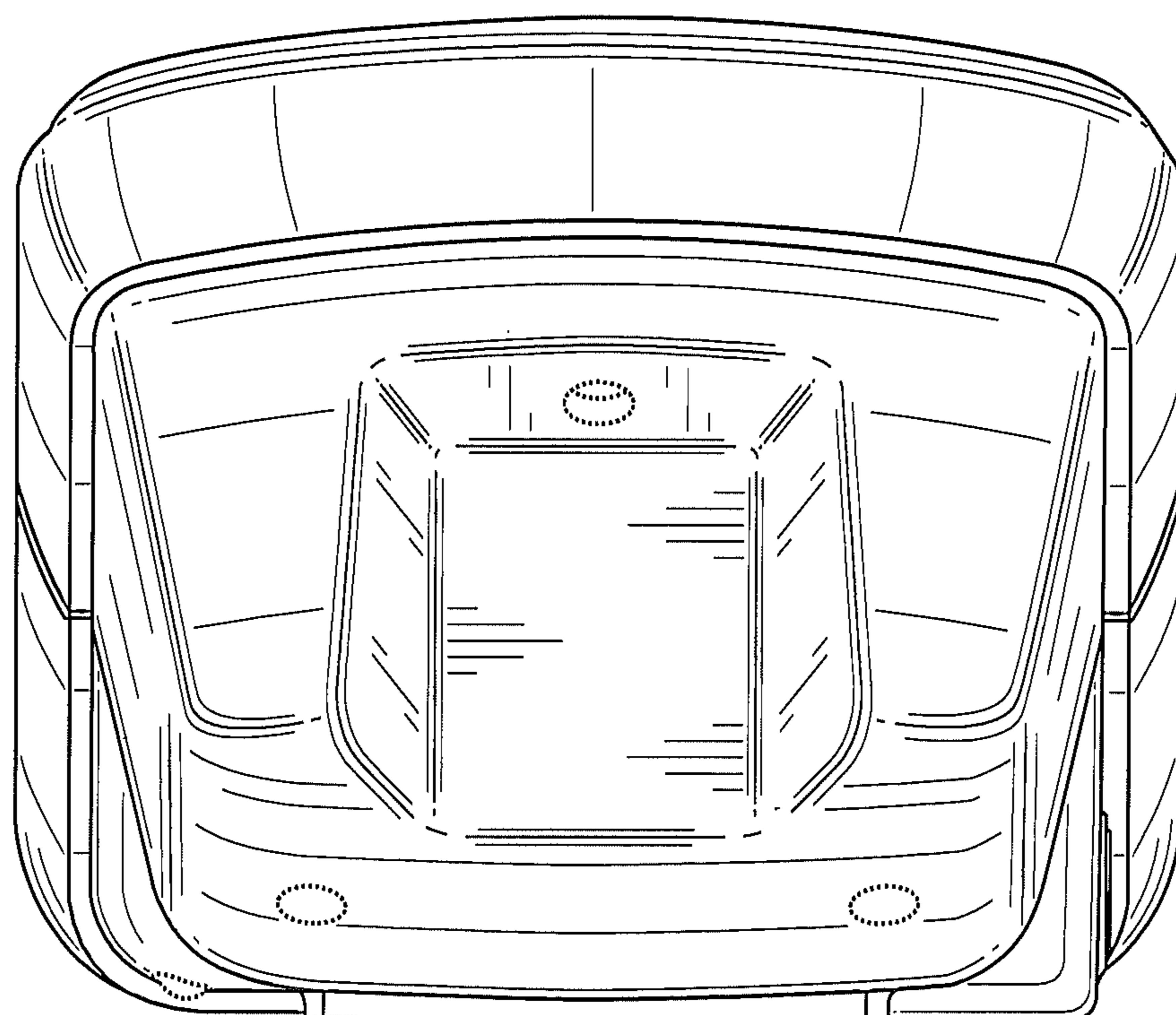


FIG. 7