



US00D724085S

(12) **United States Design Patent**
Dowd et al.

(10) **Patent No.:** **US D724,085 S**
(45) **Date of Patent:** **** Mar. 10, 2015**

(54) **STRAIGHT EDGE DEVICE**

(71) Applicant: **Adobe Systems Incorporated**, San Jose, CA (US)

(72) Inventors: **Geoffrey Dowd**, San Francisco, CA (US); **Sang Ik Lee**, Walnut Creek, CA (US); **Michael Gough**, Middletown, CA (US)

(73) Assignee: **Adobe Systems Incorporated**, San Jose, CA (US)

(**) Term: **14 Years**

(21) Appl. No.: **29/467,049**

(22) Filed: **Sep. 13, 2013**

Related U.S. Application Data

(63) Continuation-in-part of application No. 29/453,736, filed on May 2, 2013.

(51) **LOC (10) Cl.** **14-02**

(52) **U.S. Cl.**
USPC **D14/388**

(58) **Field of Classification Search**
CPC G06K 7/10881; G09F 3/038; G09F 3/044;
G09F 3/0383; G09F 3/03454
USPC D14/388, 389, 411; D19/37, 115;
345/156-166, 173, 174, 179;
178/18.01-19.07

See application file for complete search history.

(56) **References Cited**

U.S. PATENT DOCUMENTS

D613,742 S *	4/2010	Avery et al.	D14/411
8,780,089 B2 *	7/2014	Yuan et al.	345/179
8,786,549 B2 *	7/2014	Fu	345/161
8,786,564 B2 *	7/2014	Mo et al.	345/173
8,803,849 B2 *	8/2014	Xu	345/179

* cited by examiner

Primary Examiner — Antoine D Davis

(74) *Attorney, Agent, or Firm* — Shook, Hardy & Bacon L.L.P.

(57) **CLAIM**

The ornamental design for a straight edge device, as shown and described.

DESCRIPTION

FIGS. 1-4 are perspective views of a straightedge device, showing our new design, according to a first embodiment thereof.

FIG. 5 is a top plan view of the straightedge device, according to the first embodiment.

FIG. 6 is a bottom plan view of the straightedge device, according to the first embodiment.

FIG. 7 is a front elevation view of the straightedge device, according to the first embodiment.

FIG. 8 is a rear elevation view of the straightedge device, according to the first embodiment.

FIG. 9 is a right side elevation view of the straightedge device, according to the first embodiment.

FIG. 10 is a left side elevation view of the straightedge device, according to the first embodiment.

FIG. 11 is a perspective view of the straightedge device, according to the first embodiment.

FIGS. 12-15 are perspective views of the straightedge device, showing our new design, according to a second embodiment thereof.

FIG. 16 is a top plan view of the straightedge device, according to the second embodiment.

FIG. 17 is a bottom plan view of the straightedge device, according to the second embodiment.

FIG. 18 is a front elevation view of the straightedge device, according to the second embodiment.

FIG. 19 is a rear elevation view of the straightedge device, according to the second embodiment.

FIG. 20 is a right side elevation view of the straightedge device, according to the second embodiment.

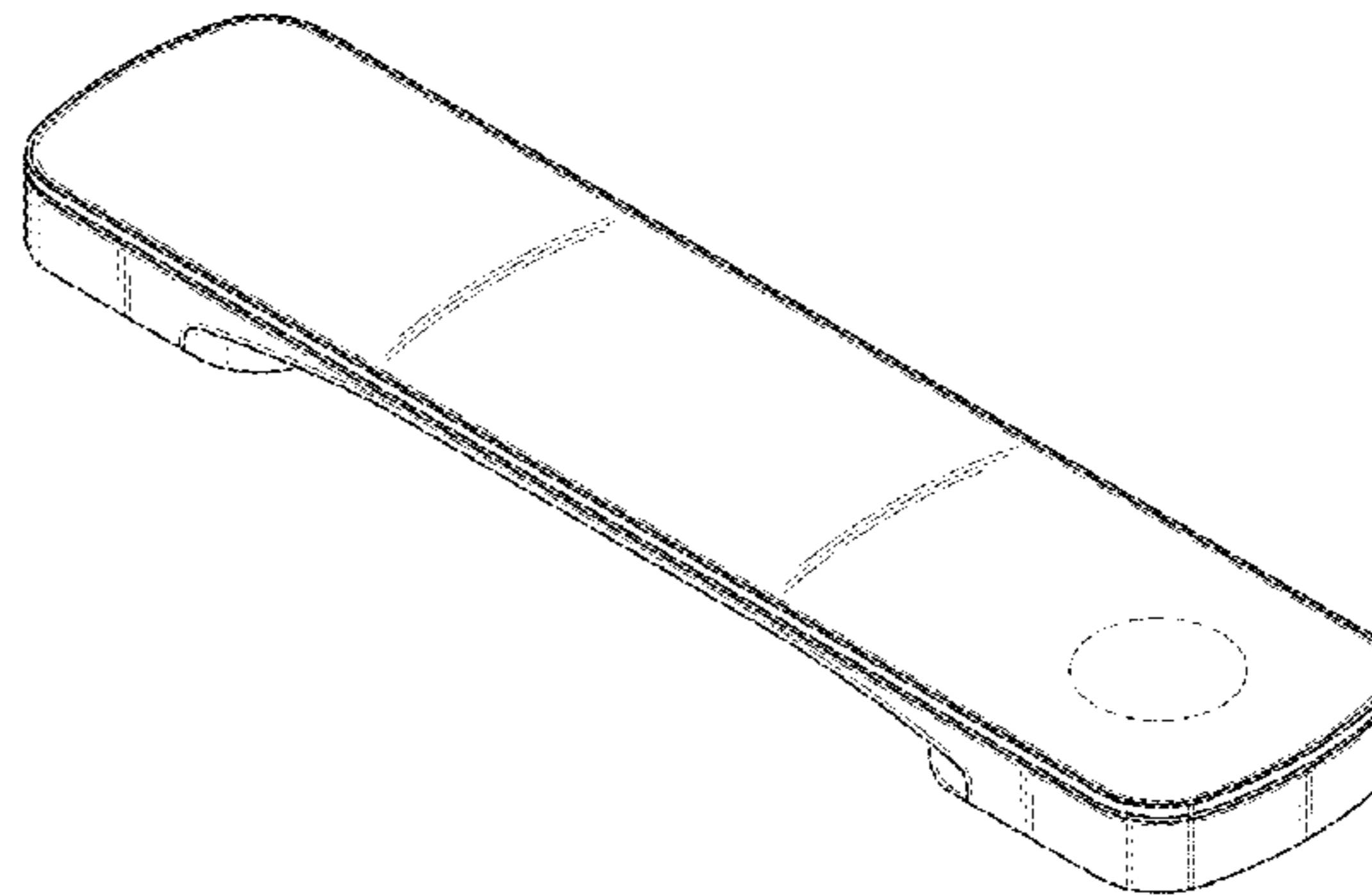
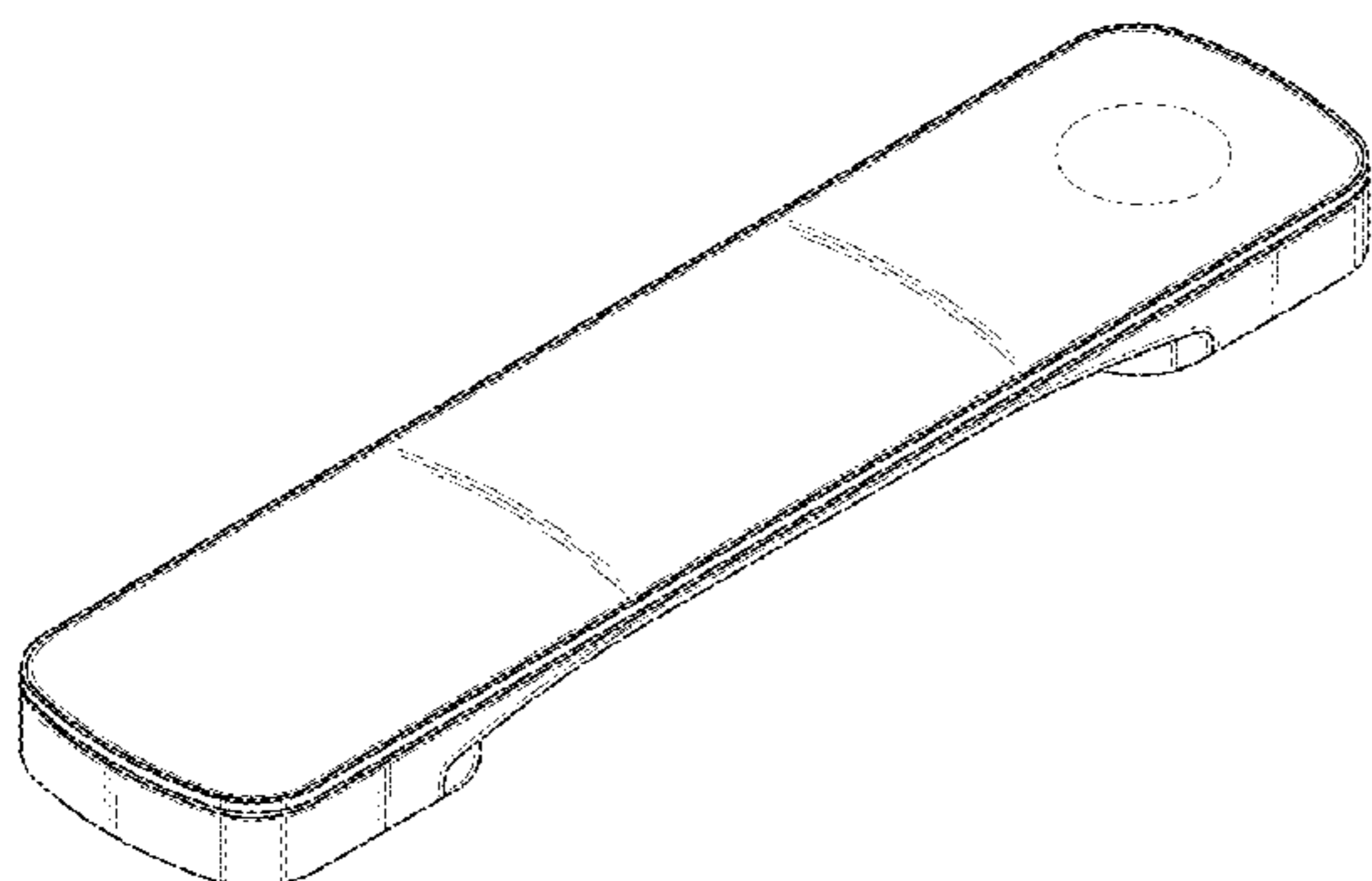
FIG. 21 is a left side elevation view of the straightedge device, according to the second embodiment; and,

FIG. 22 is a perspective view of the straightedge device, according to the second embodiment.

Subject matter shown in broken lines is environmental and forms no part of the claimed embodiment in which the broken lines appear. However, Applicants reserve the right to claim any combination or subset of subject matter, whether shown in broken lines or solid lines, in this application or in one or more divisional applications thereof.

All shade lines show contour and not surface ornamentation.

1 Claim, 12 Drawing Sheets



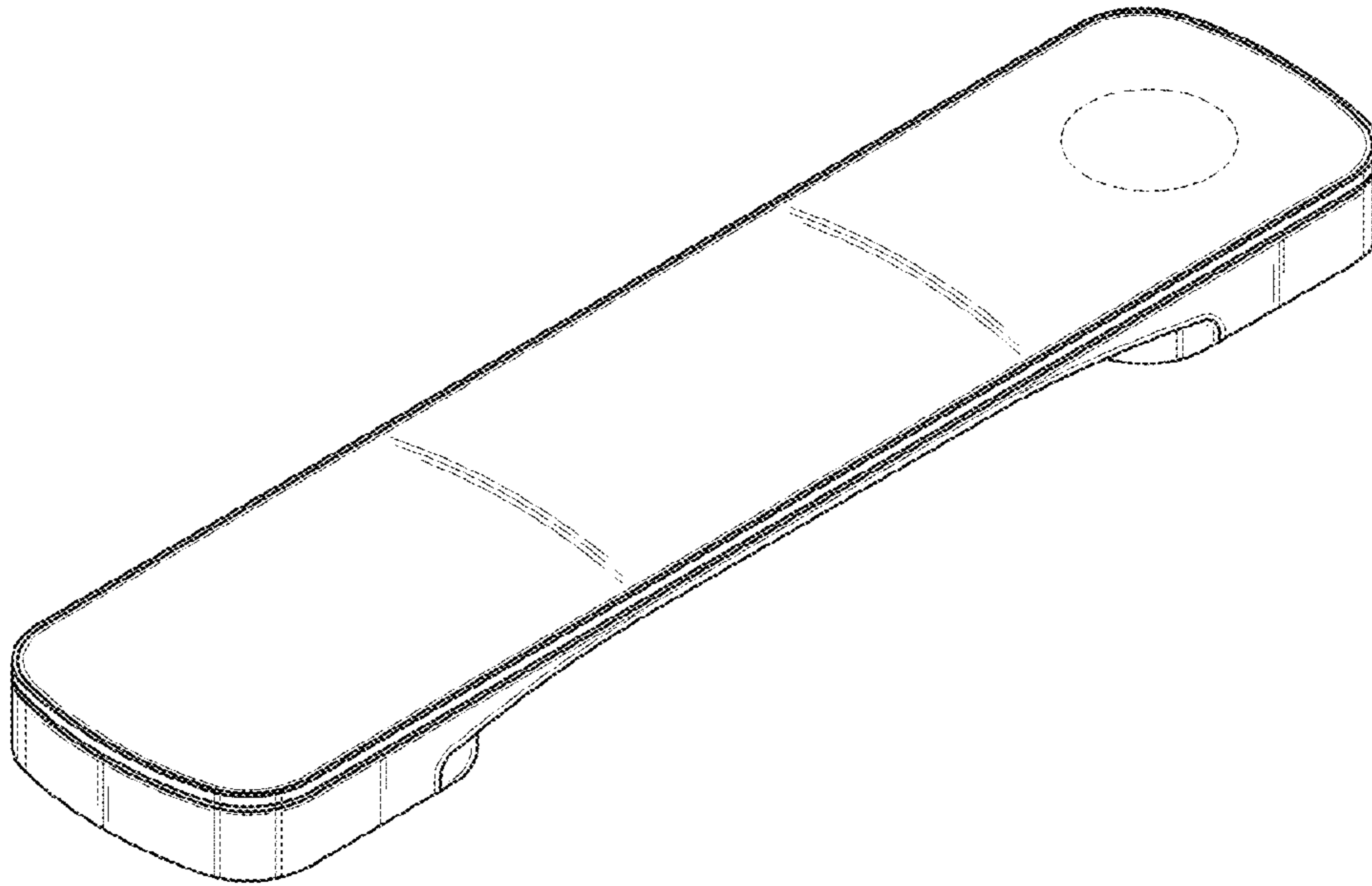


FIG. 1

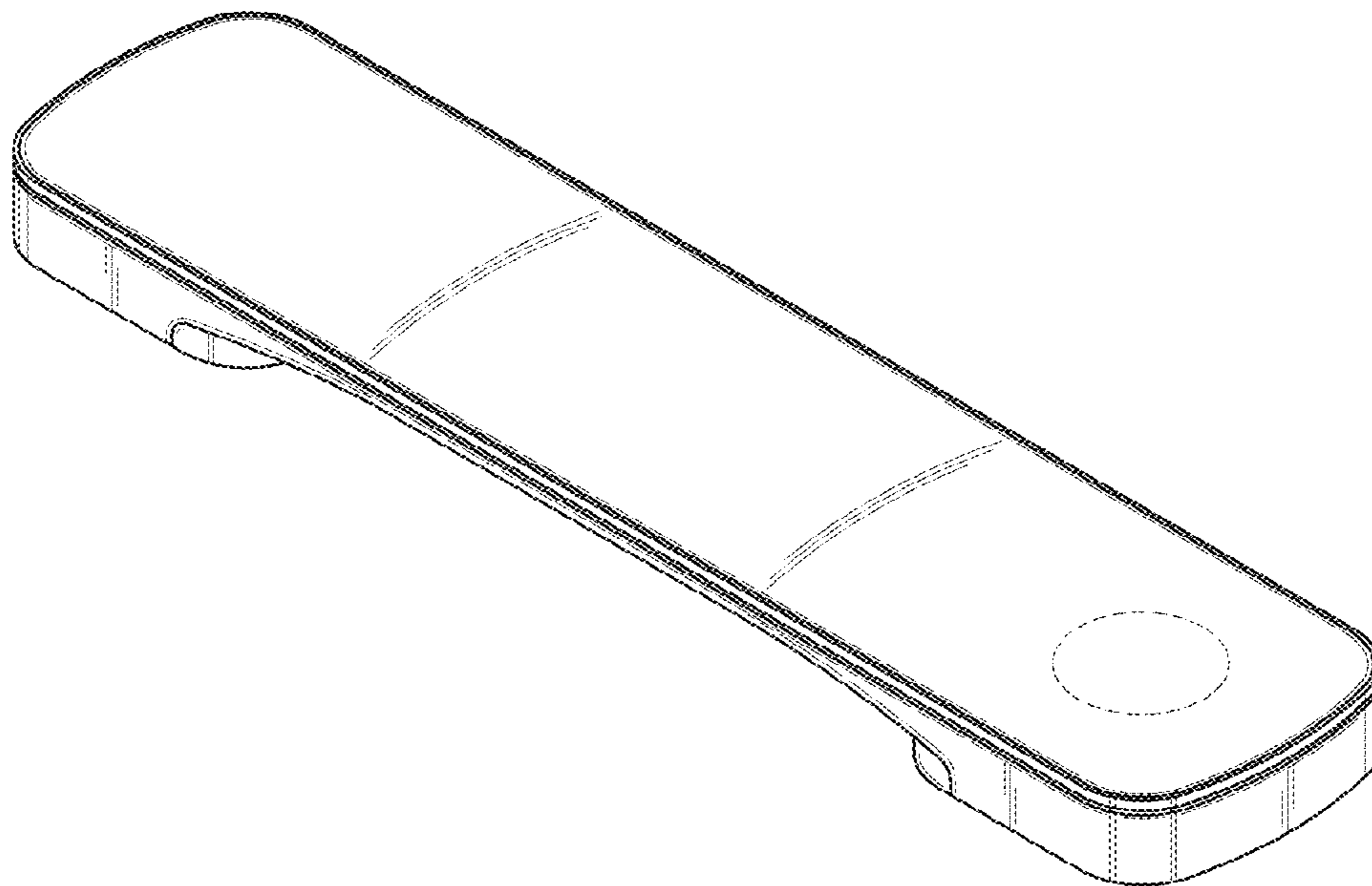


FIG. 2

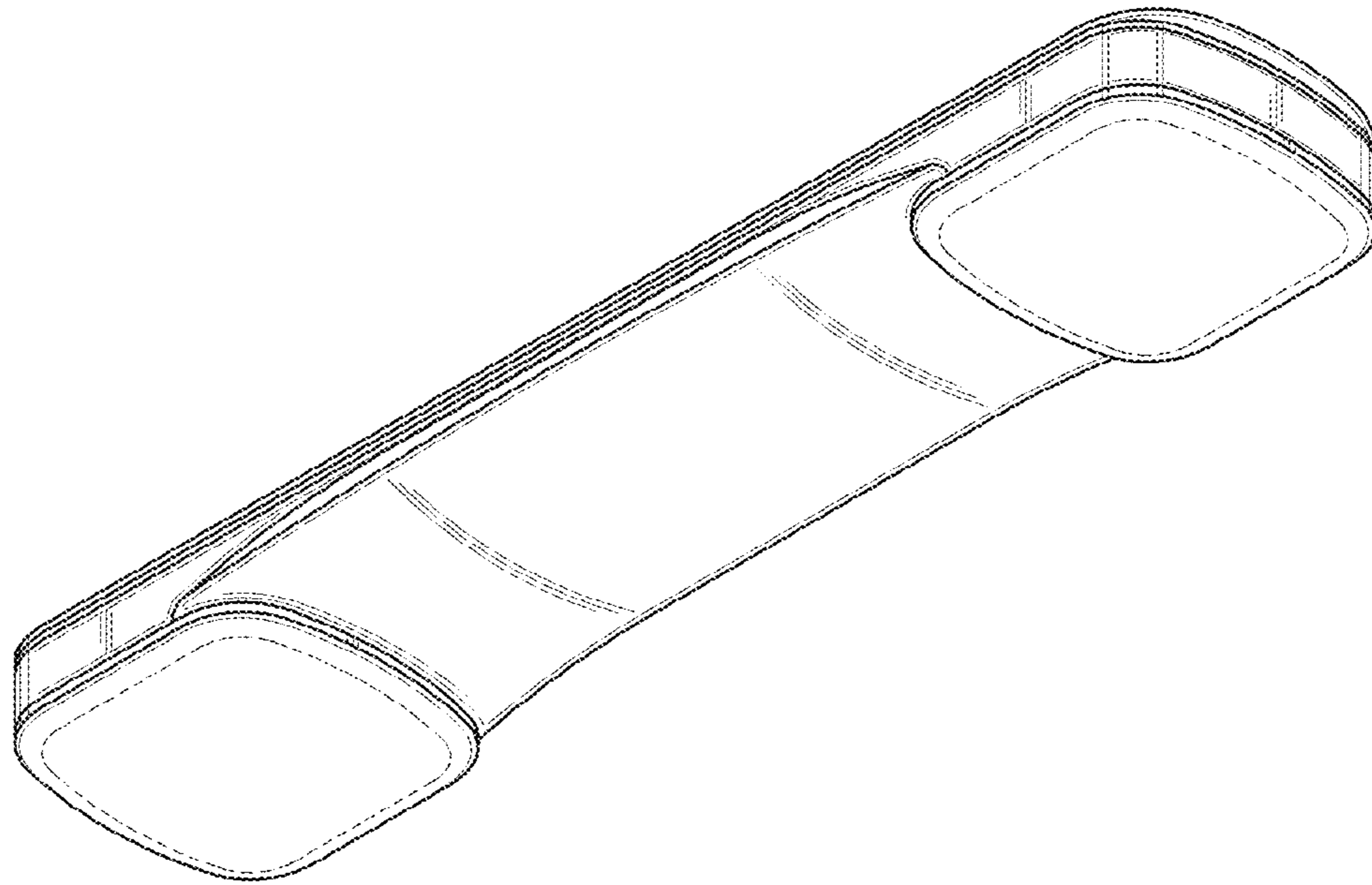


FIG. 3

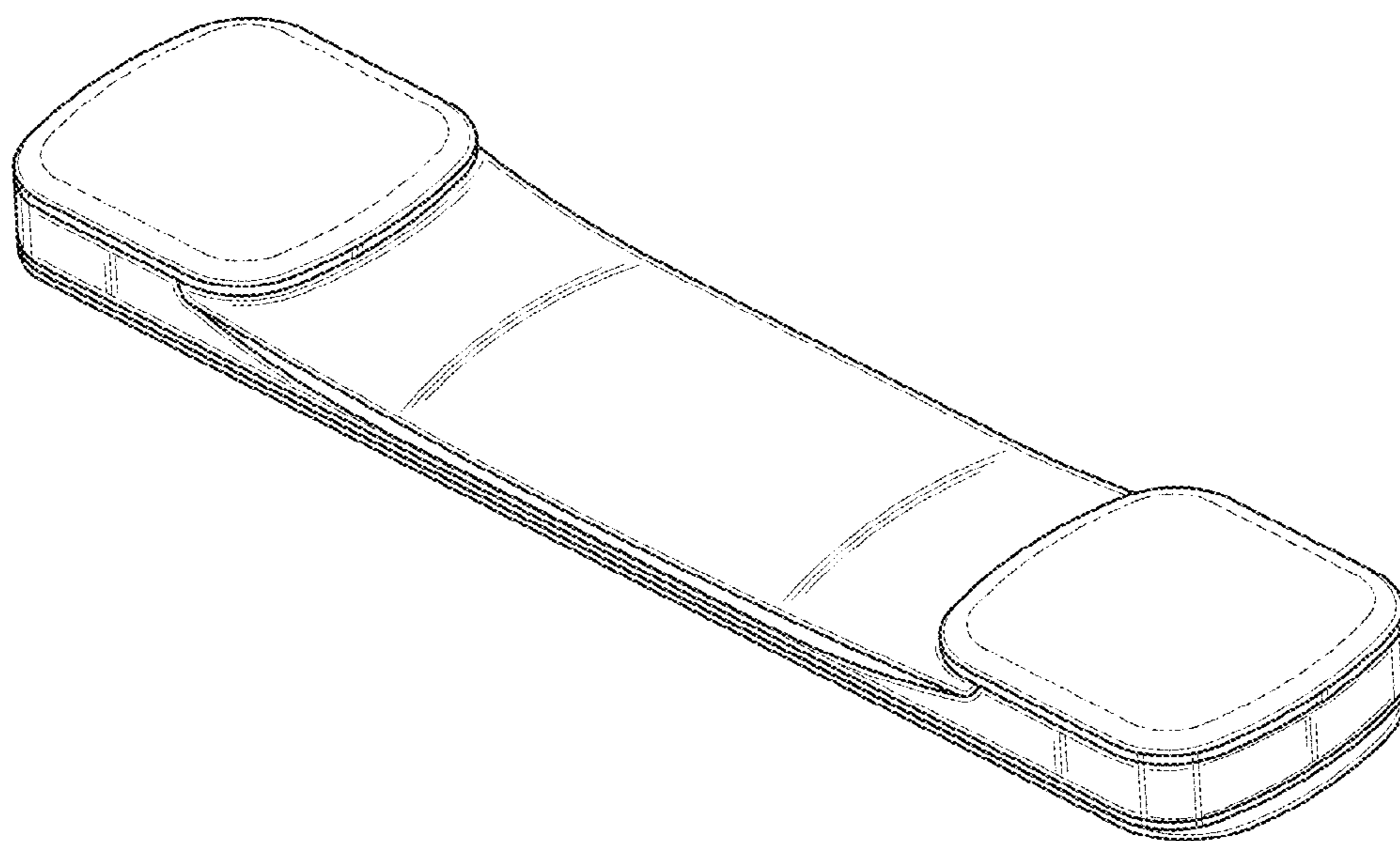


FIG. 4



FIG. 5

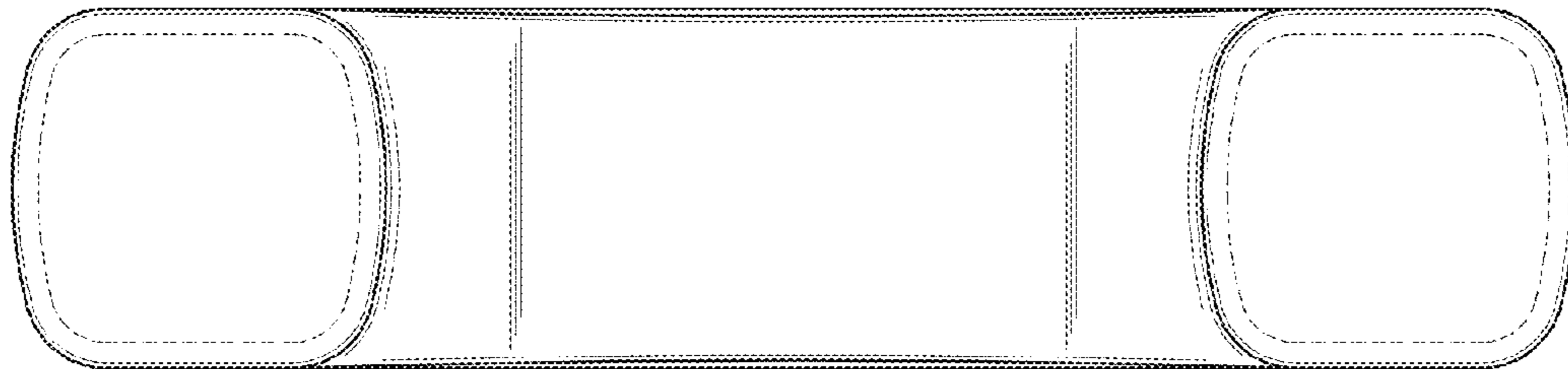


FIG. 6

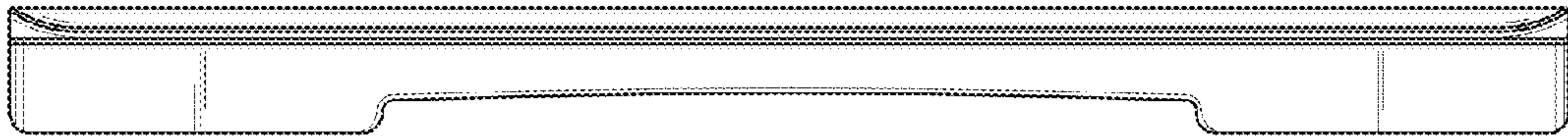


FIG. 7



FIG. 8

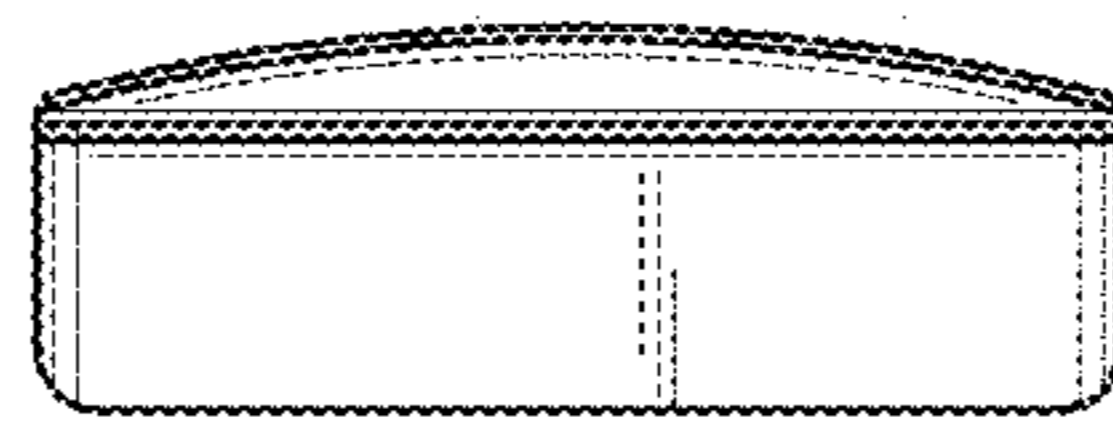


FIG. 9

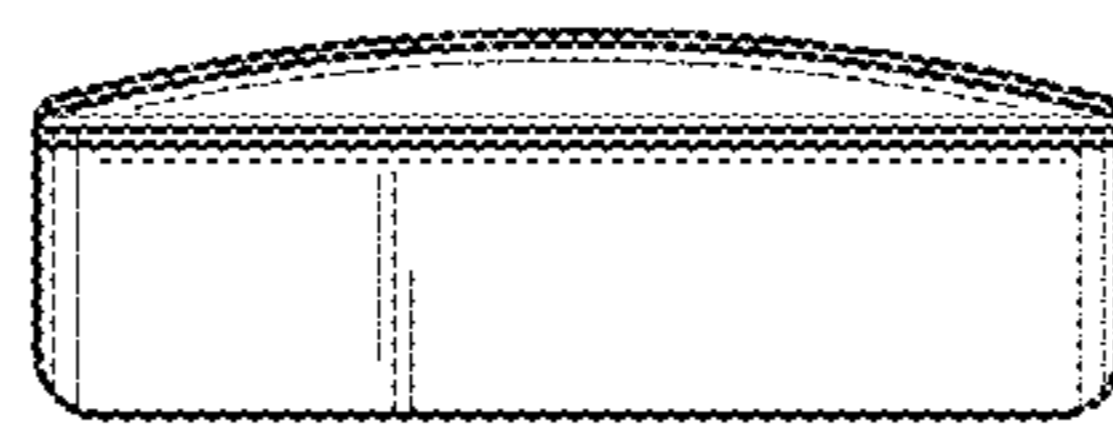


FIG. 10

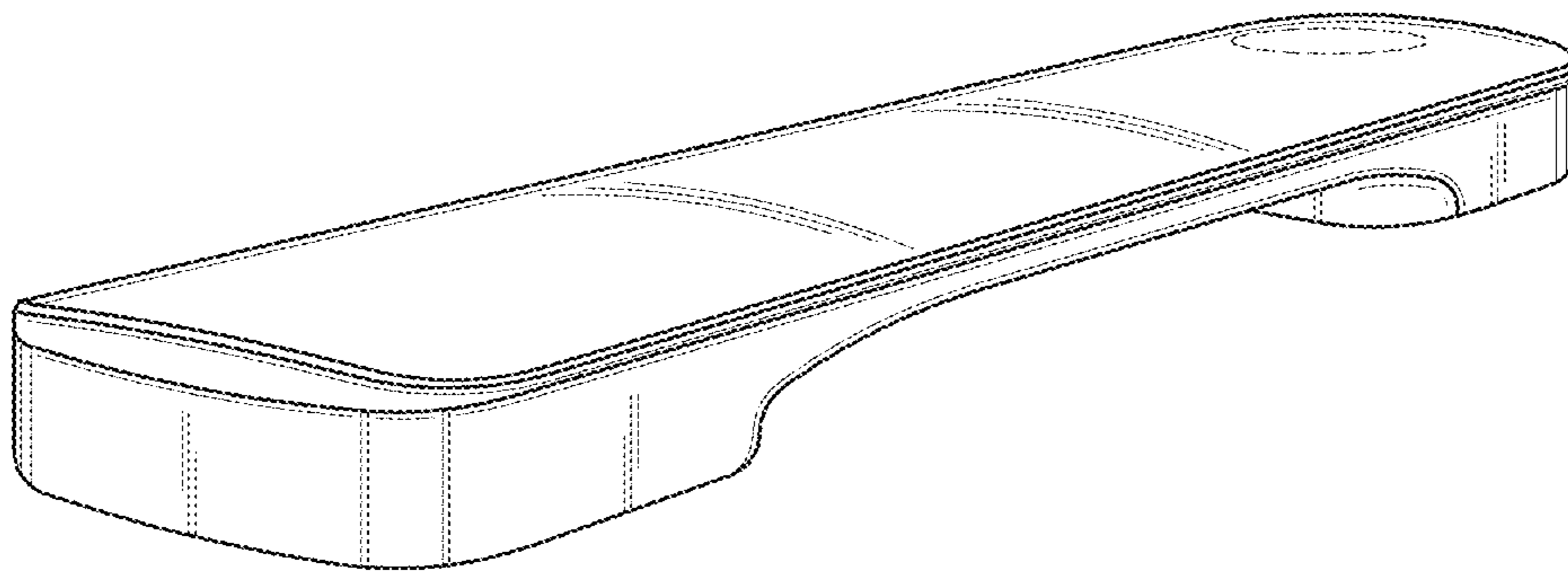


FIG. 11

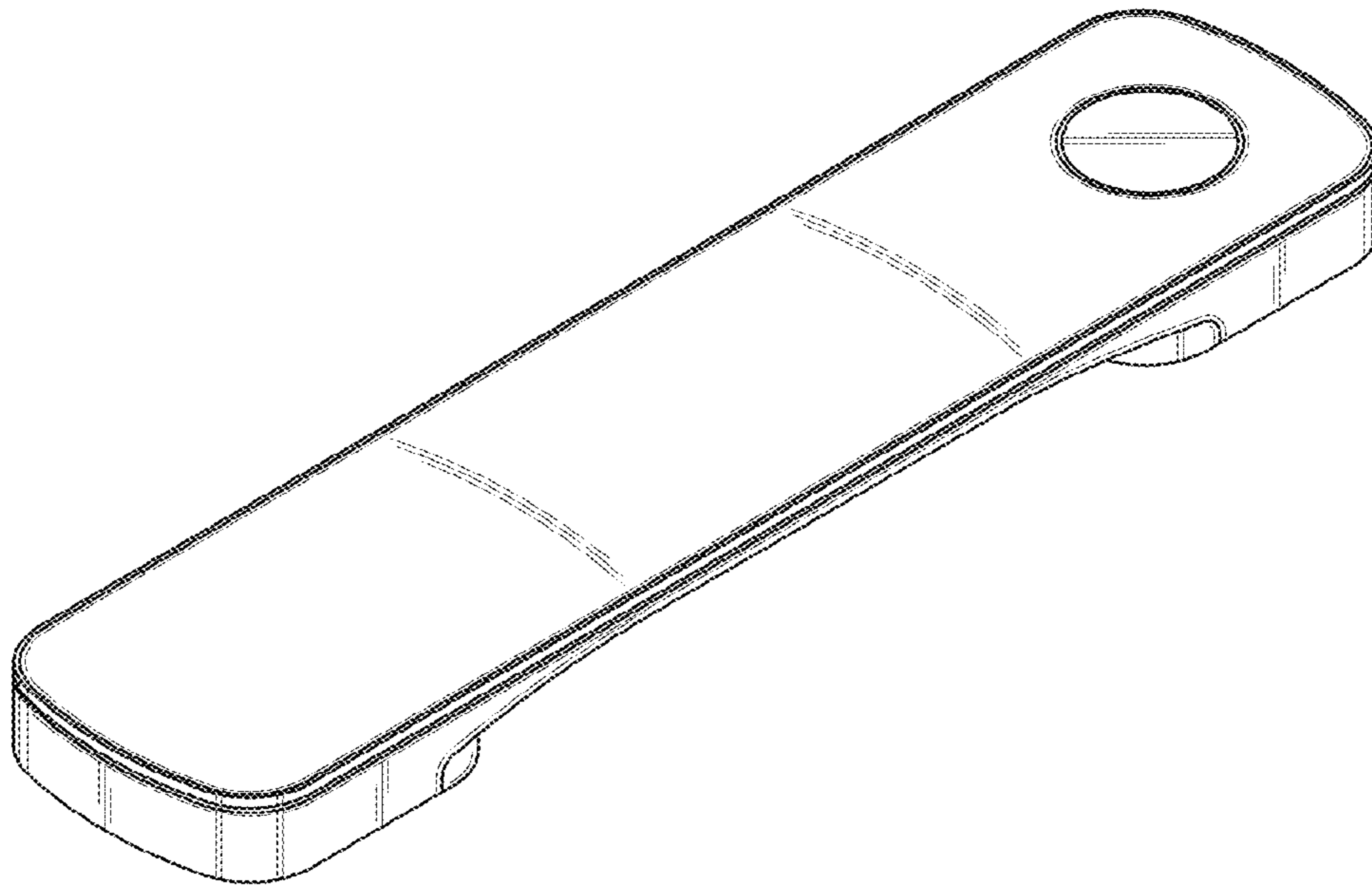


FIG. 12

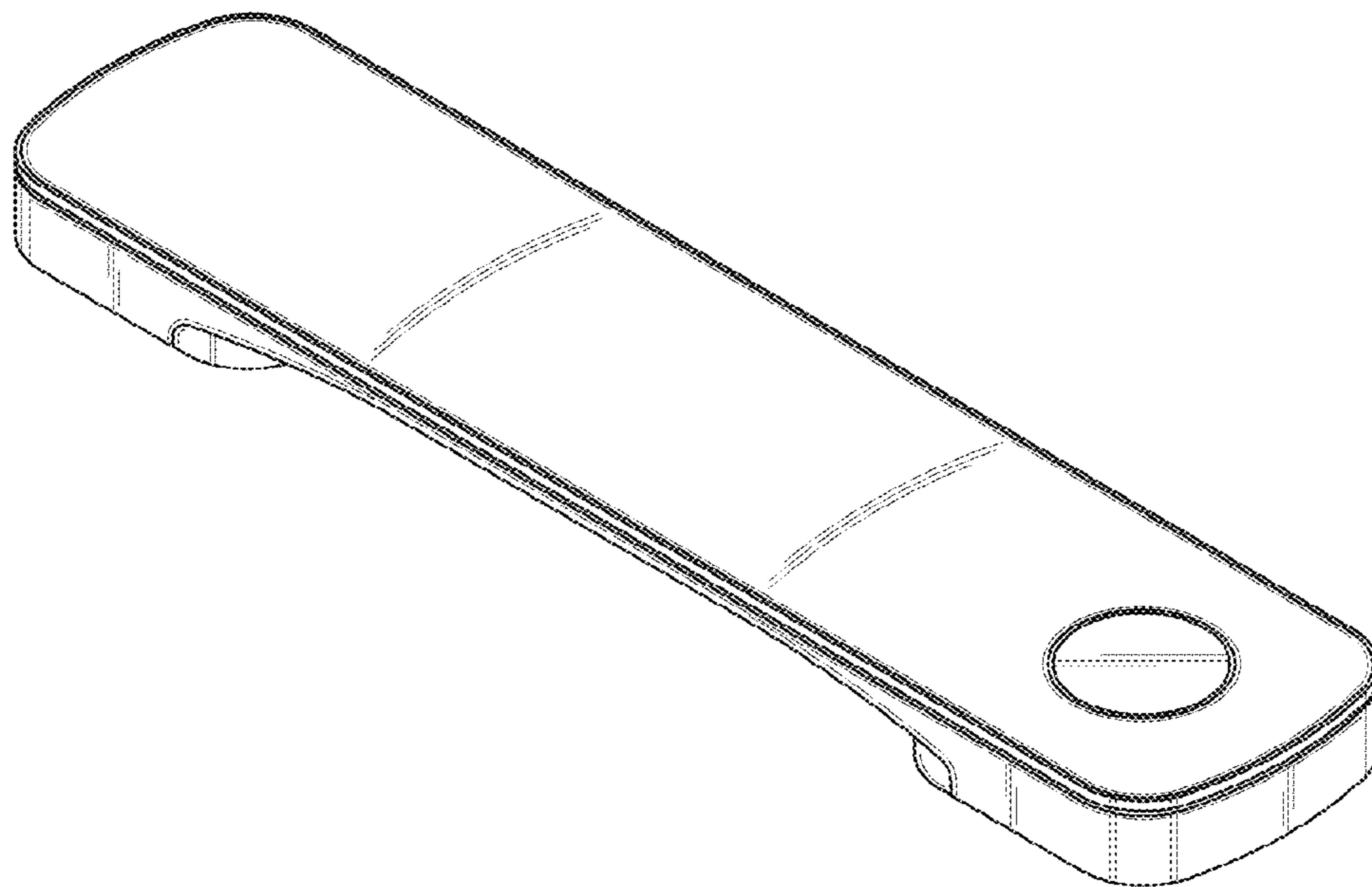


FIG. 13

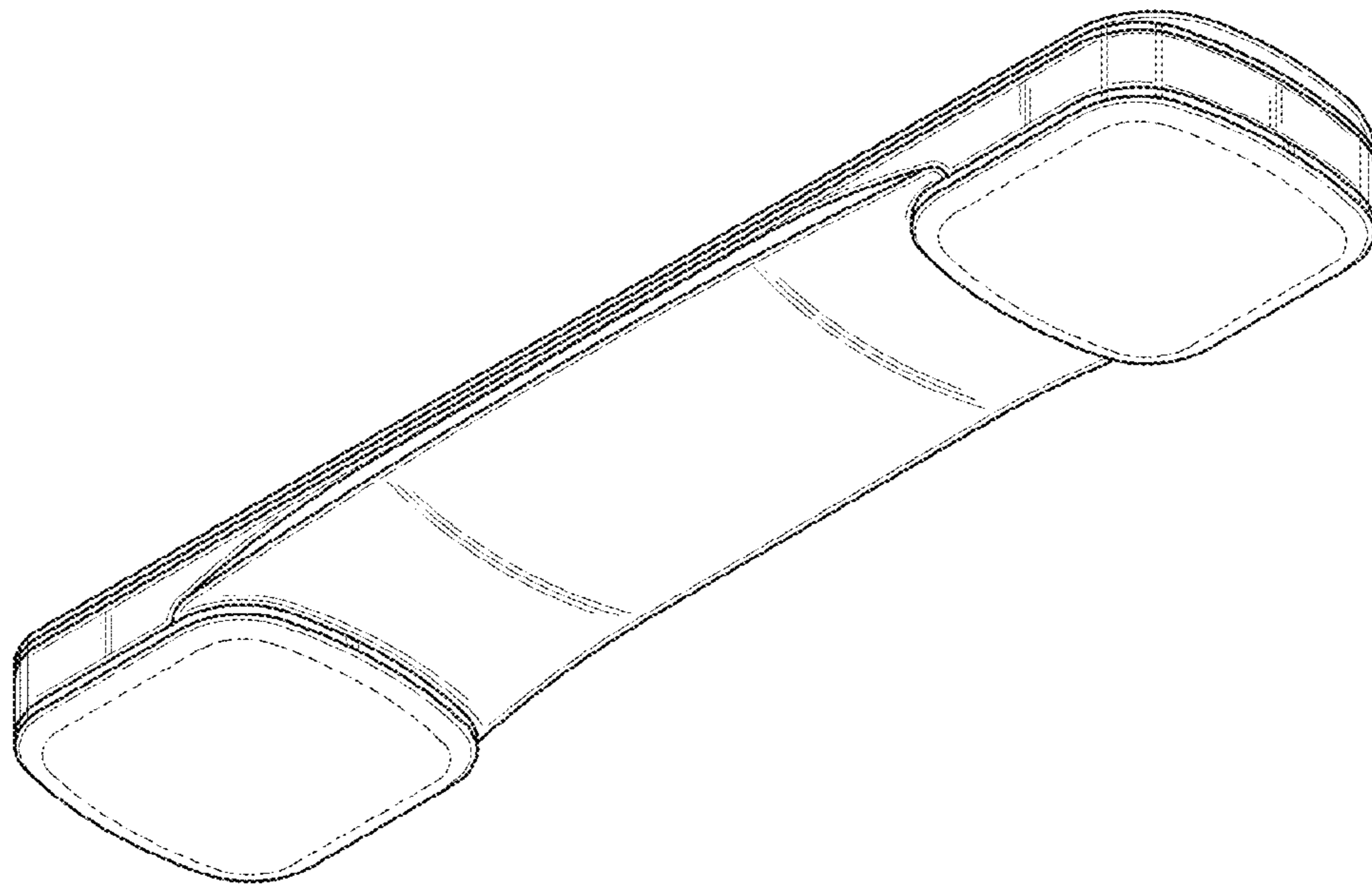


FIG. 14

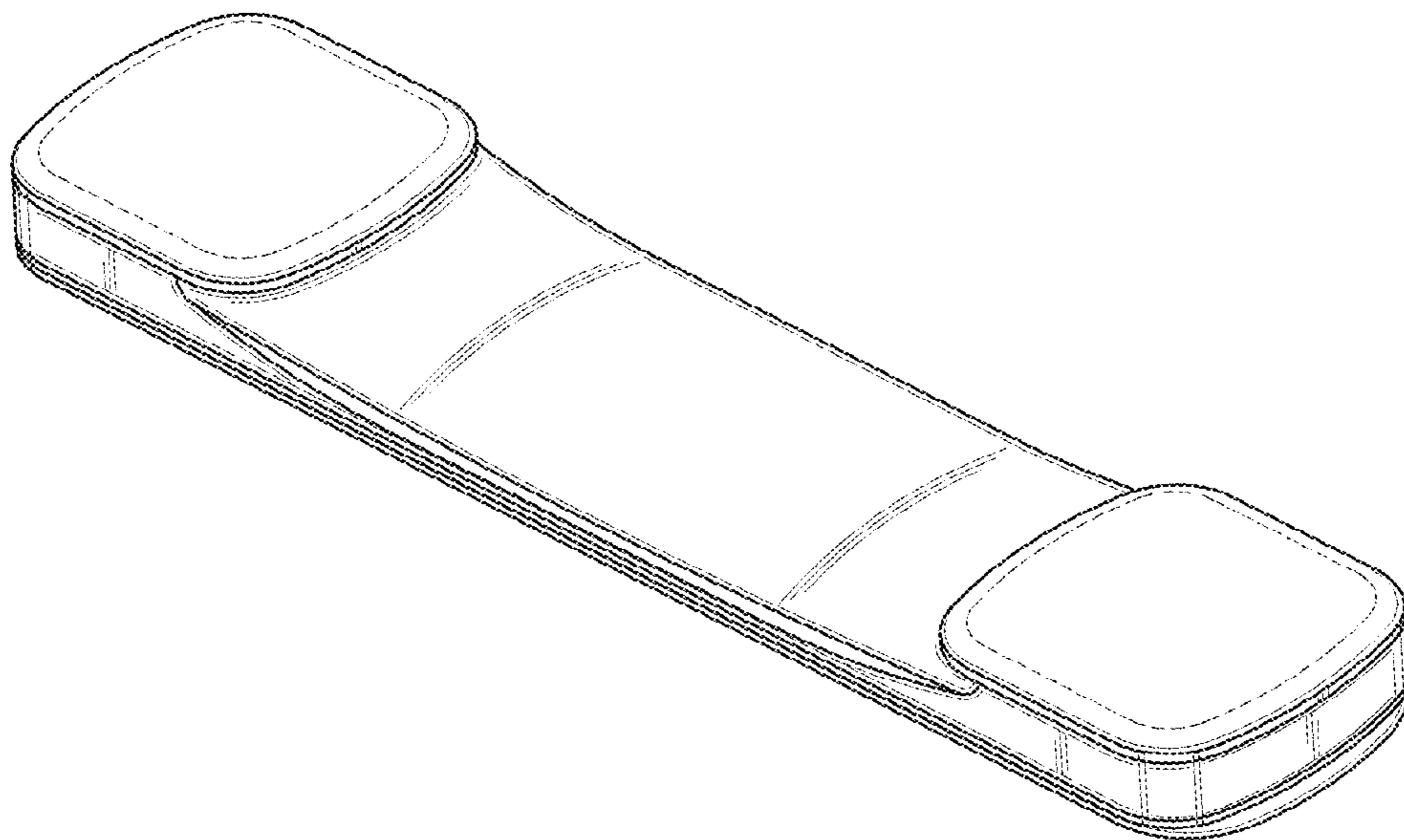


FIG. 15



FIG. 16

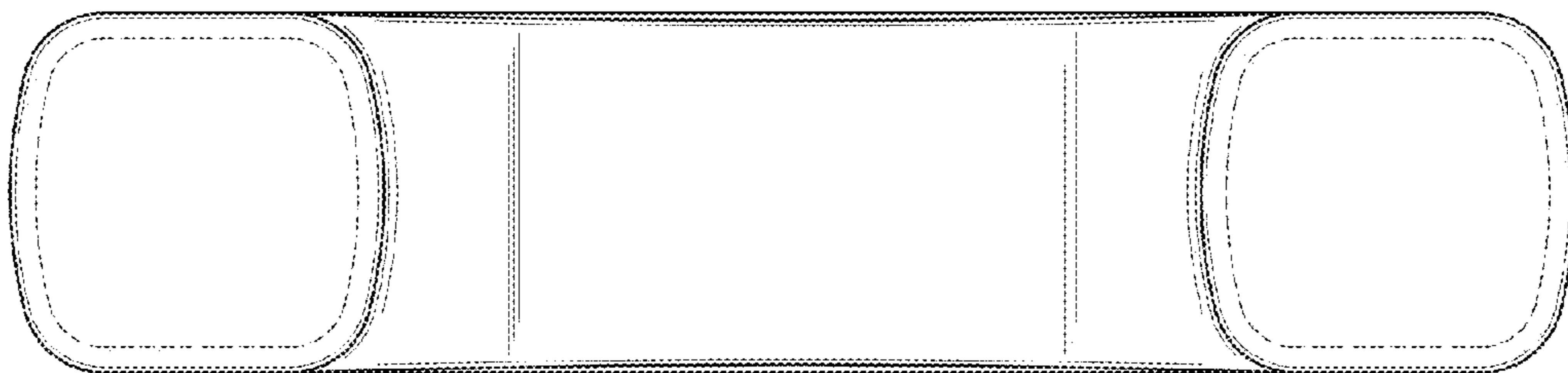


FIG. 17



FIG. 18

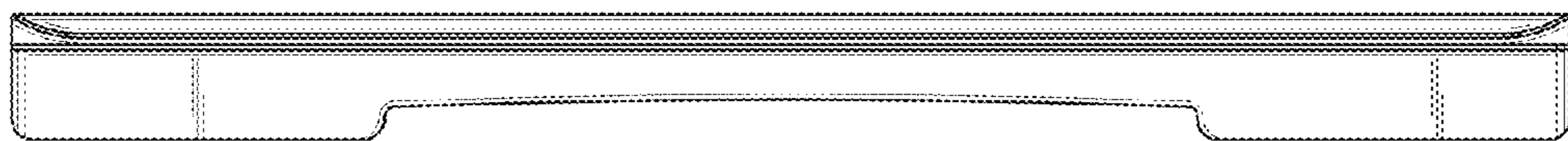


FIG. 19

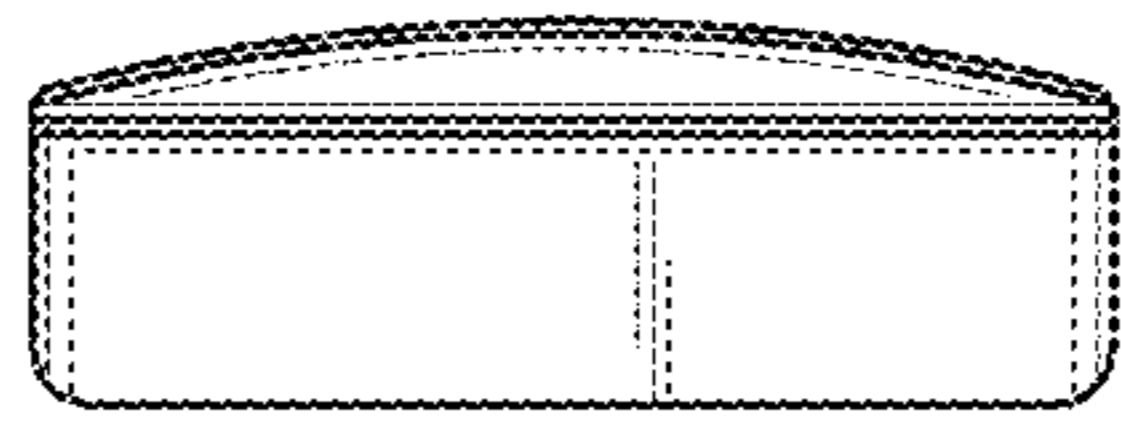


FIG. 20

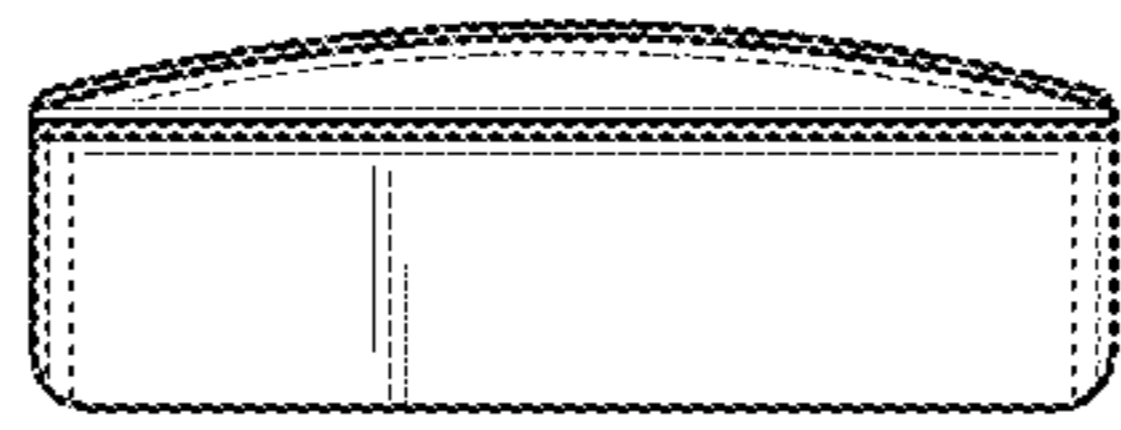


FIG. 21

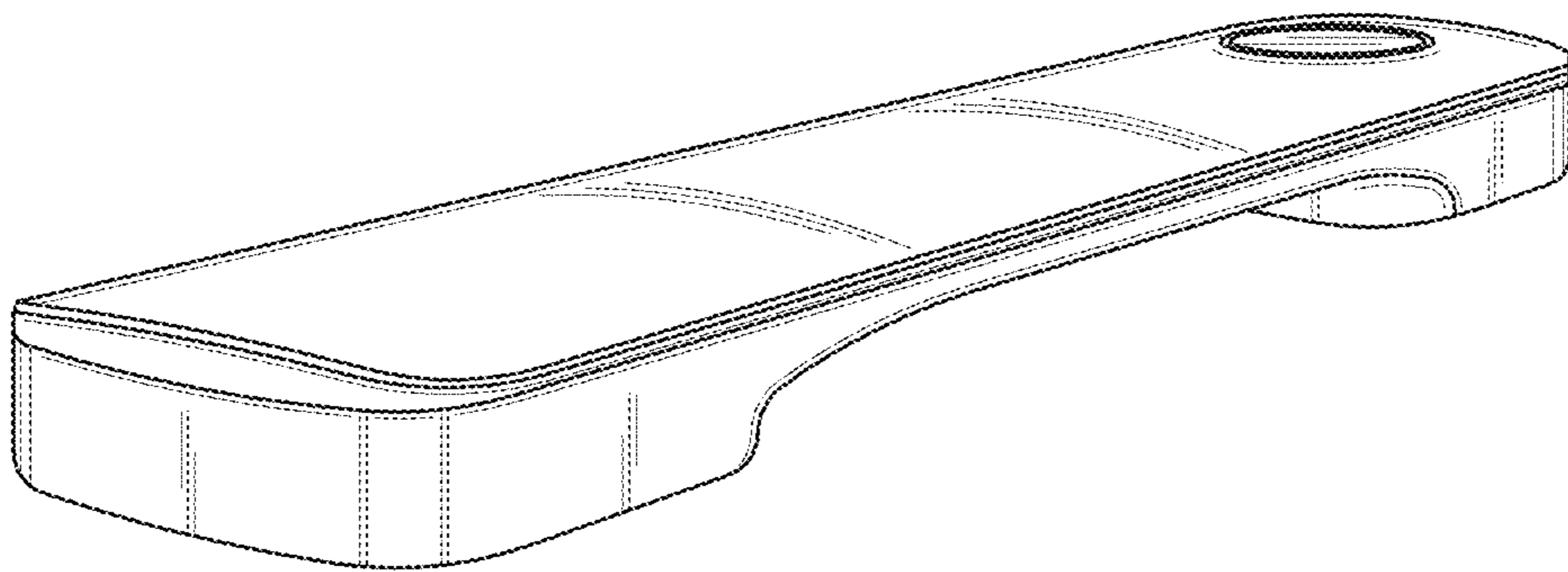


FIG. 22