



US00D724084S

(12) **United States Design Patent**
Choo et al.

(10) **Patent No.:** **US D724,084 S**
(45) **Date of Patent:** **** Mar. 10, 2015**

(54) **HEAD MOUNTED DISPLAY DEVICE**

(71) Applicant: **LG Electronics Inc.**, Seoul (KR)

(72) Inventors: **Zhimin Choo**, Seoul (KR); **Seihyun Cho**, Seoul (KR); **Sanghyuck Lee**, Seoul (KR); **Soonhyun Park**, Seoul (KR)

(73) Assignee: **LG Electronics Inc.**, Seoul (KR)

(**) Term: **14 Years**

(21) Appl. No.: **29/502,464**

(22) Filed: **Sep. 16, 2014**

(30) **Foreign Application Priority Data**

Mar. 17, 2014 (KR) 30-2014-0013282

(51) **LOC (10) Cl.** **14-02**

(52) **U.S. Cl.**
USPC **D14/372**

(58) **Field of Classification Search**

CPC G02B 27/017; G02B 27/0158; G02B 27/0161; G02B 27/0181; G02B 27/0185; G02B 27/0189

USPC D14/372, 496, 432, 371, 125, 126, 129, D14/299; D16/300-342; 351/158, 153, 144; 345/7-9, 905; 455/344; 348/115, 53, 348/121, 739

See application file for complete search history.

(56) **References Cited**

U.S. PATENT DOCUMENTS

- D338,514 S * 8/1993 Holmes D14/372
- D363,482 S * 10/1995 Robinson et al. D14/372
- D429,253 S * 8/2000 Robertson et al. D14/496
- D517,066 S * 3/2006 Travers et al. D14/372
- D645,862 S * 9/2011 Paul D14/372
- 8,072,393 B2 * 12/2011 Riechel 345/8
- D659,739 S * 5/2012 Olsson et al. D16/300

- D662,964 S * 7/2012 Olsson et al. D16/300
- D664,586 S * 7/2012 Olsson D16/300
- D669,066 S * 10/2012 Olsson et al. D14/309
- D669,471 S * 10/2012 Hwang et al. D14/372
- D671,589 S * 11/2012 Olsson D16/300
- D692,424 S * 10/2013 Pombo et al. D14/372
- D697,962 S * 1/2014 Olsson D16/300
- D701,506 S * 3/2014 Pombo D14/372
- D703,724 S * 4/2014 Olsson D16/300
- 2009/0128448 A1 * 5/2009 Riechel 345/8
- 2011/0089207 A1 * 4/2011 Tricoukes et al. 224/181
- 2012/0114131 A1 * 5/2012 Tricoukes et al. 381/74
- 2013/0285886 A1 * 10/2013 Pombo et al. 345/8

* cited by examiner

Primary Examiner — Austin Murphy

(74) *Attorney, Agent, or Firm* — Birch, Stewart, Kolasch & Birch, LLP

(57) **CLAIM**

The ornamental design for a head mounted display device, as shown and described.

DESCRIPTION

FIG. 1 is a perspective view of a head mounted display device showing our new design;

FIG. 2 is a front view thereof;

FIG. 3 is a rear view thereof;

FIG. 4 is a left side view thereof;

FIG. 5 is a right side view thereof;

FIG. 6 is a top plan view thereof;

FIG. 7 is a bottom plan view thereof;

FIG. 8 is a reference view thereof showing that the display part and earphone part can be moved up and down;

FIG. 9 is a reference view thereof showing the state that the user wears the subject design; and,

FIG. 10 is a reference view thereof showing the part of the head mounted display device which is consisted of transparent material by hatching.

The broken lines show unclaimed subject matter only and form no part of the claimed design.

1 Claim, 10 Drawing Sheets

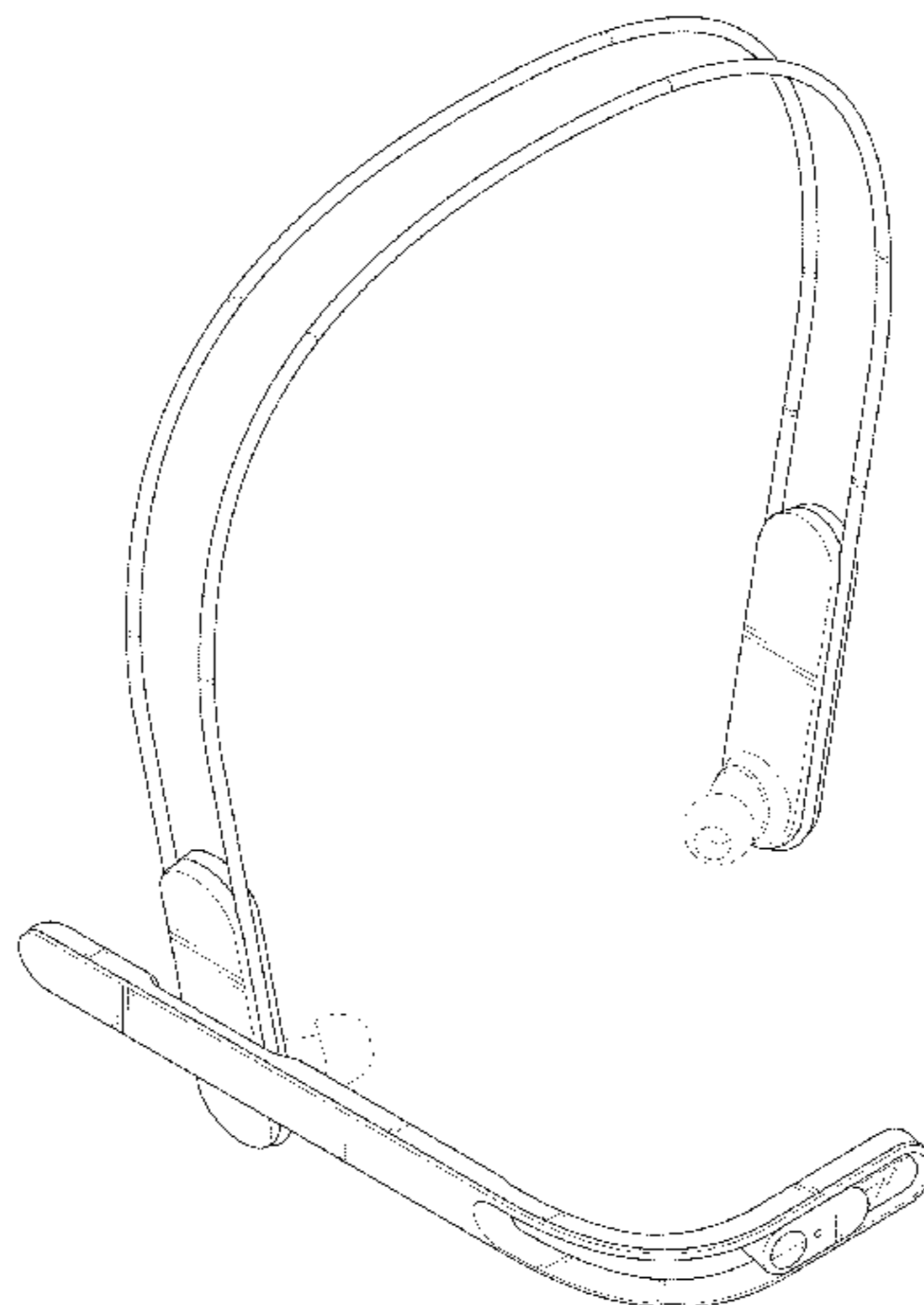


FIG. 1

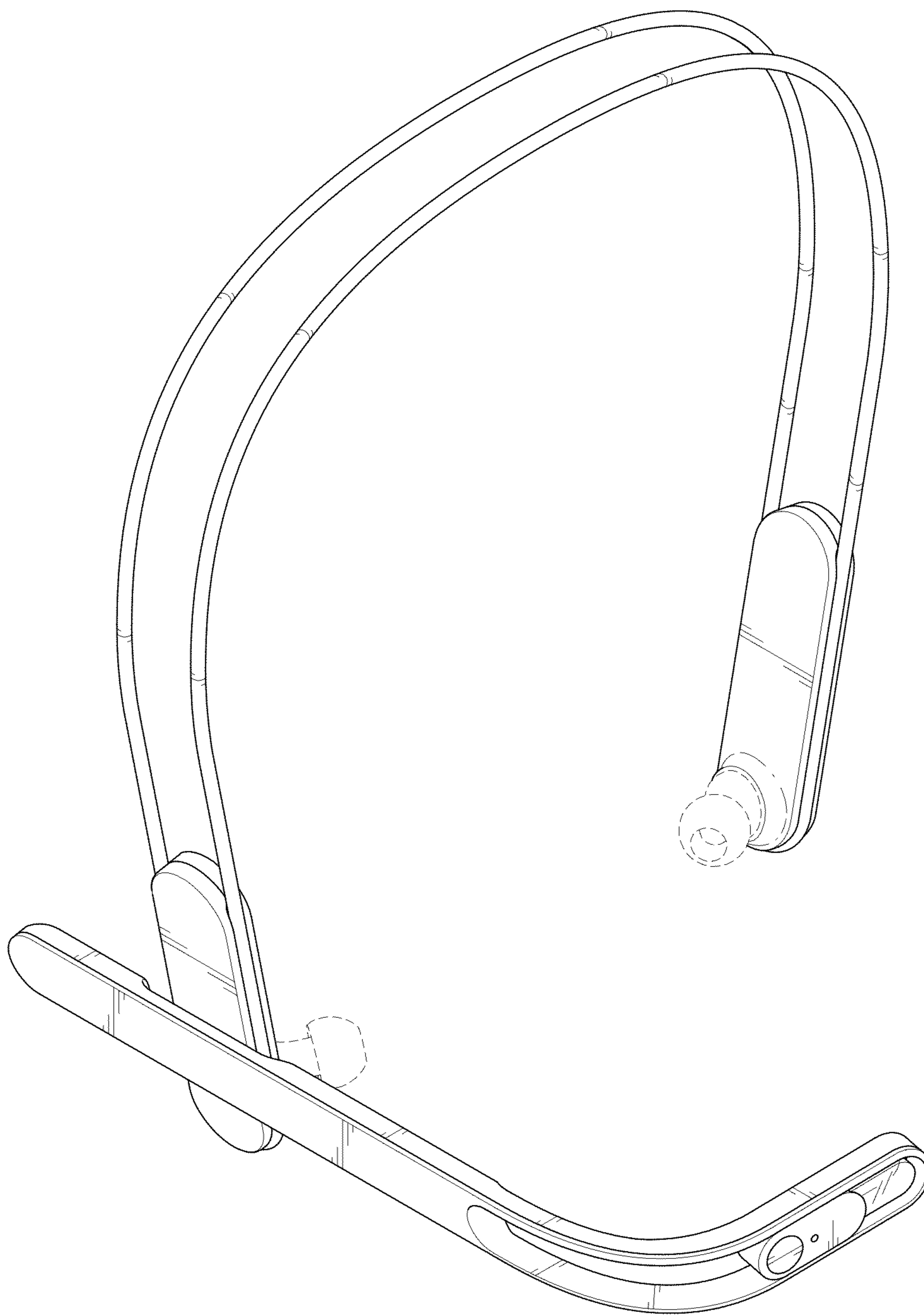


FIG. 2

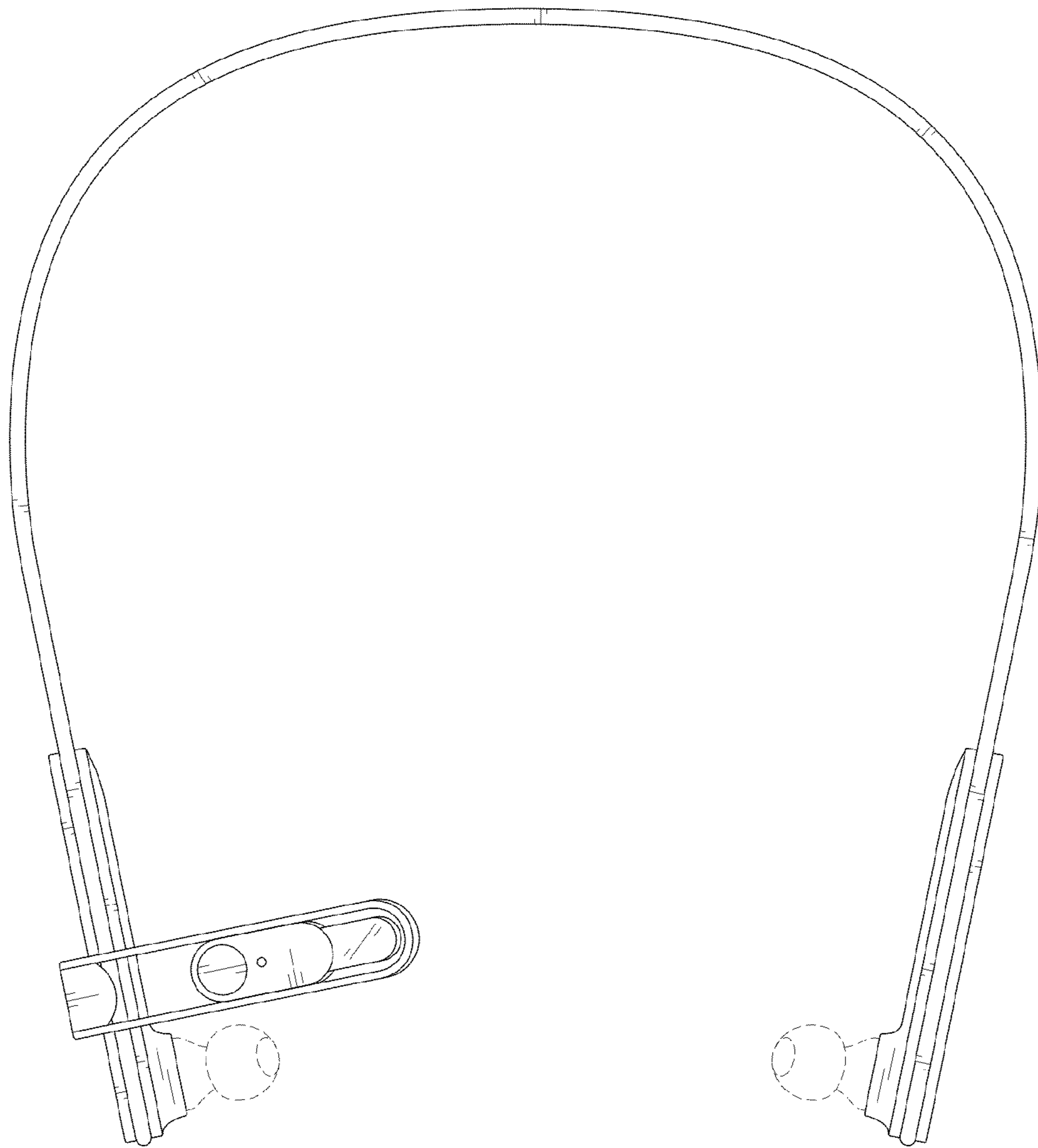


FIG. 3

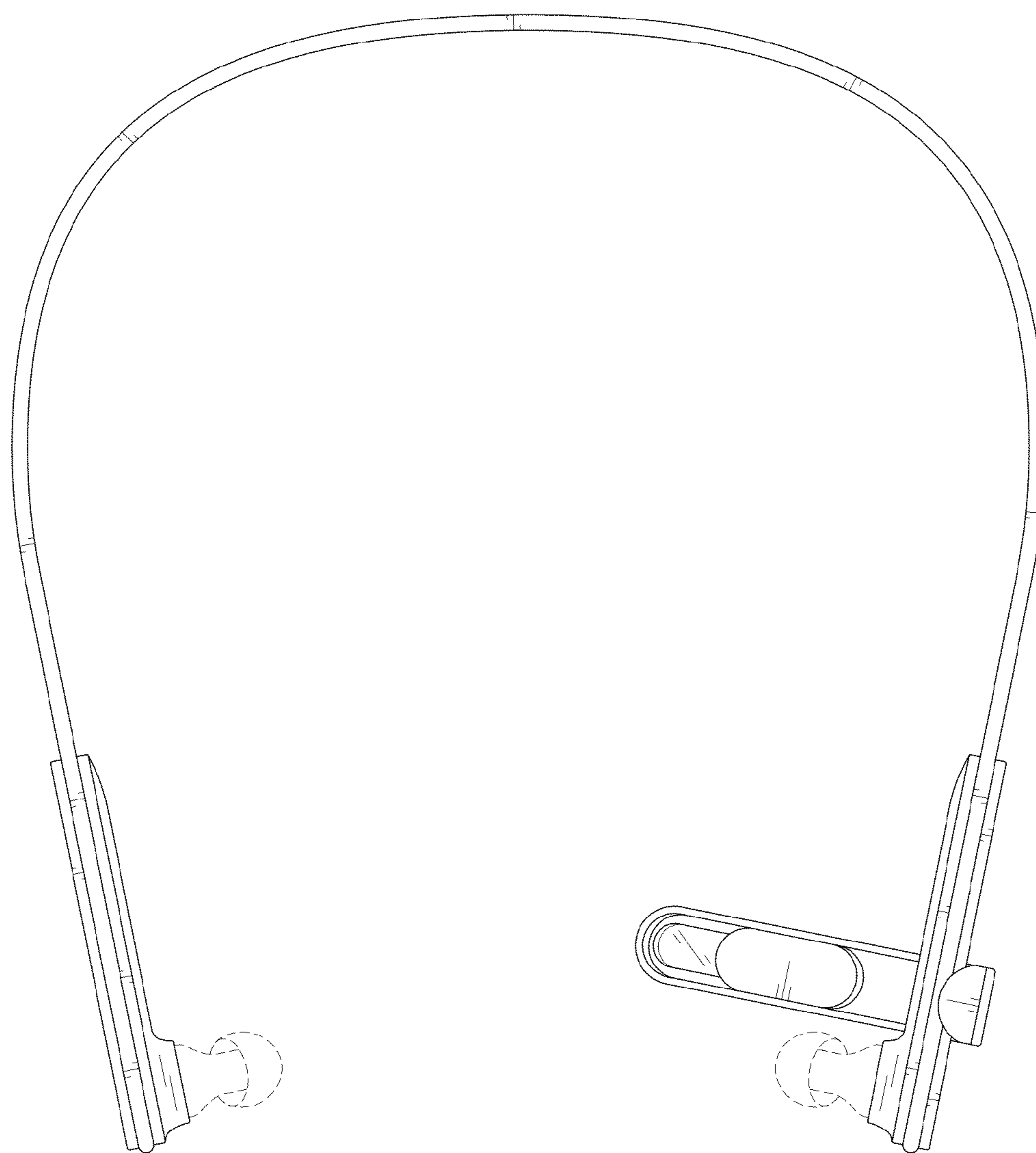


FIG. 4

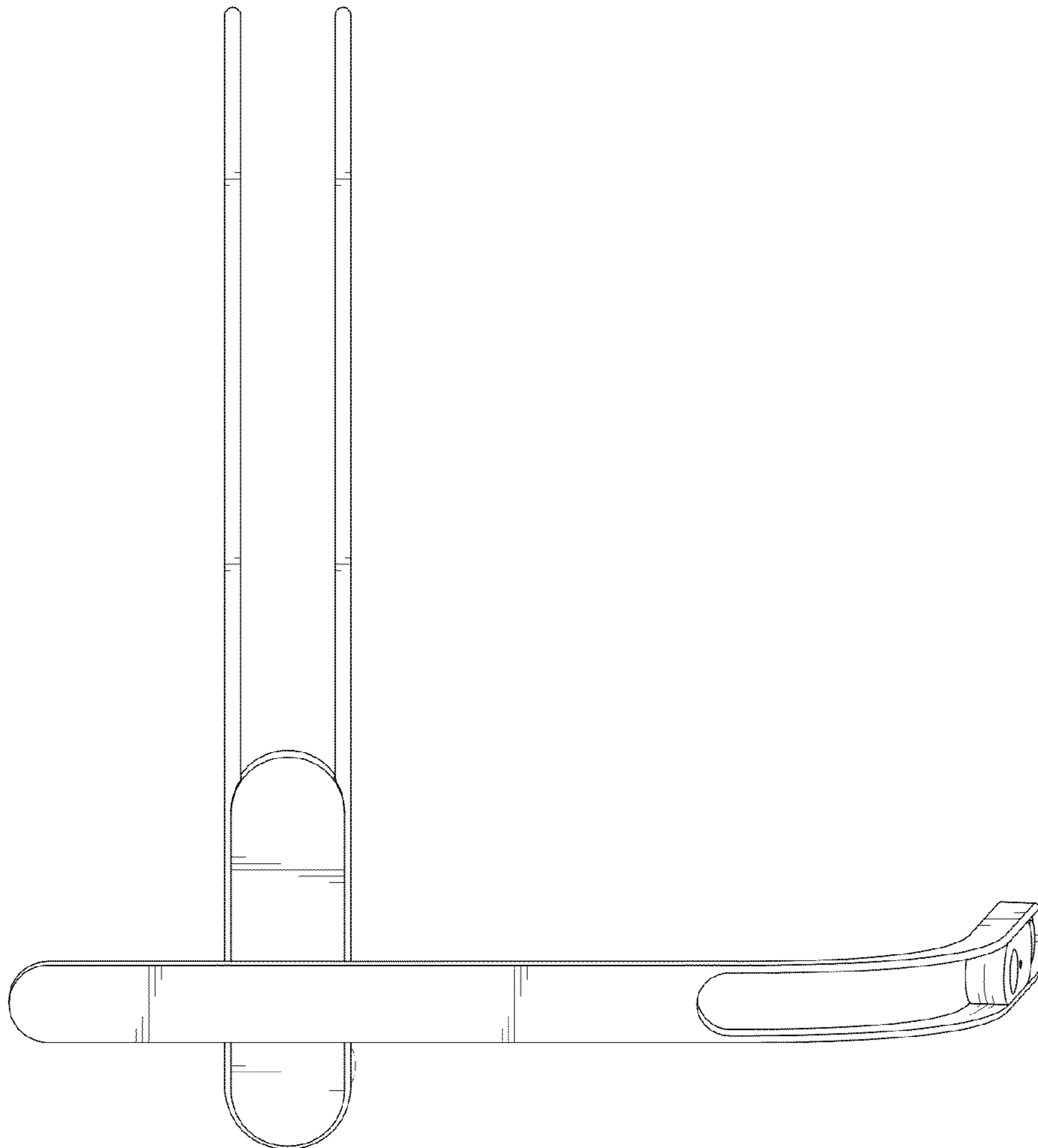


FIG. 5

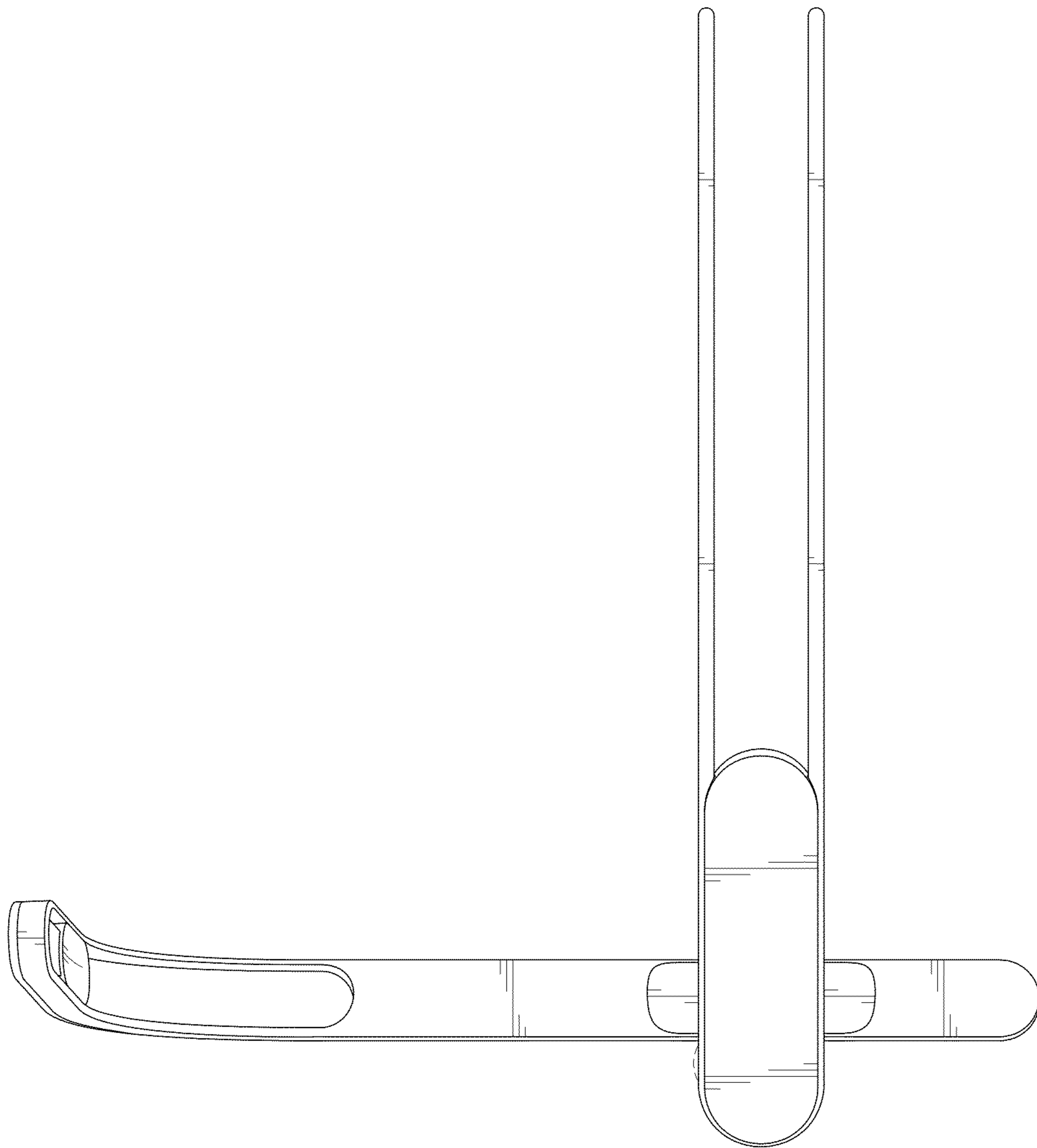


FIG. 6

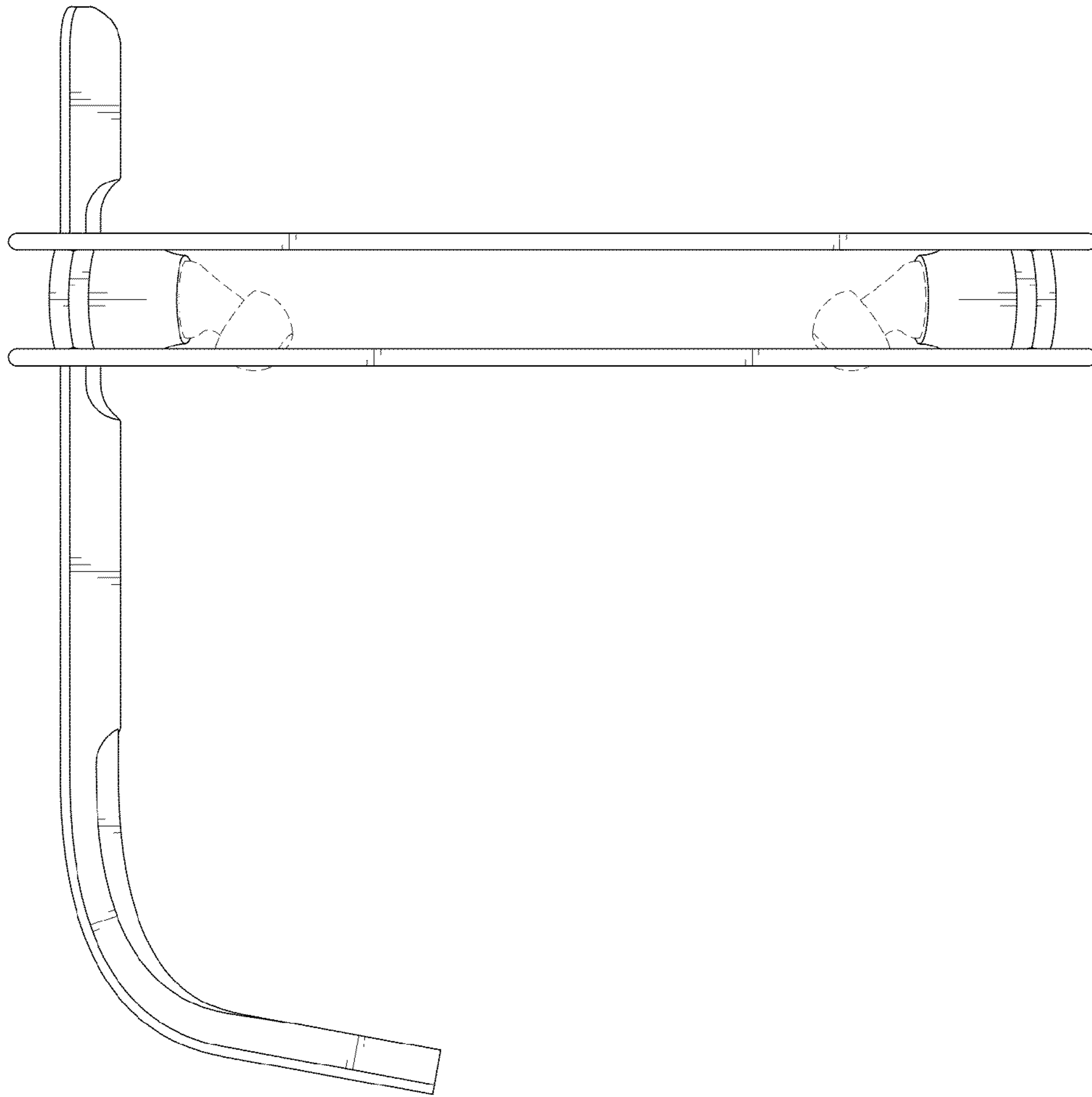


FIG. 7

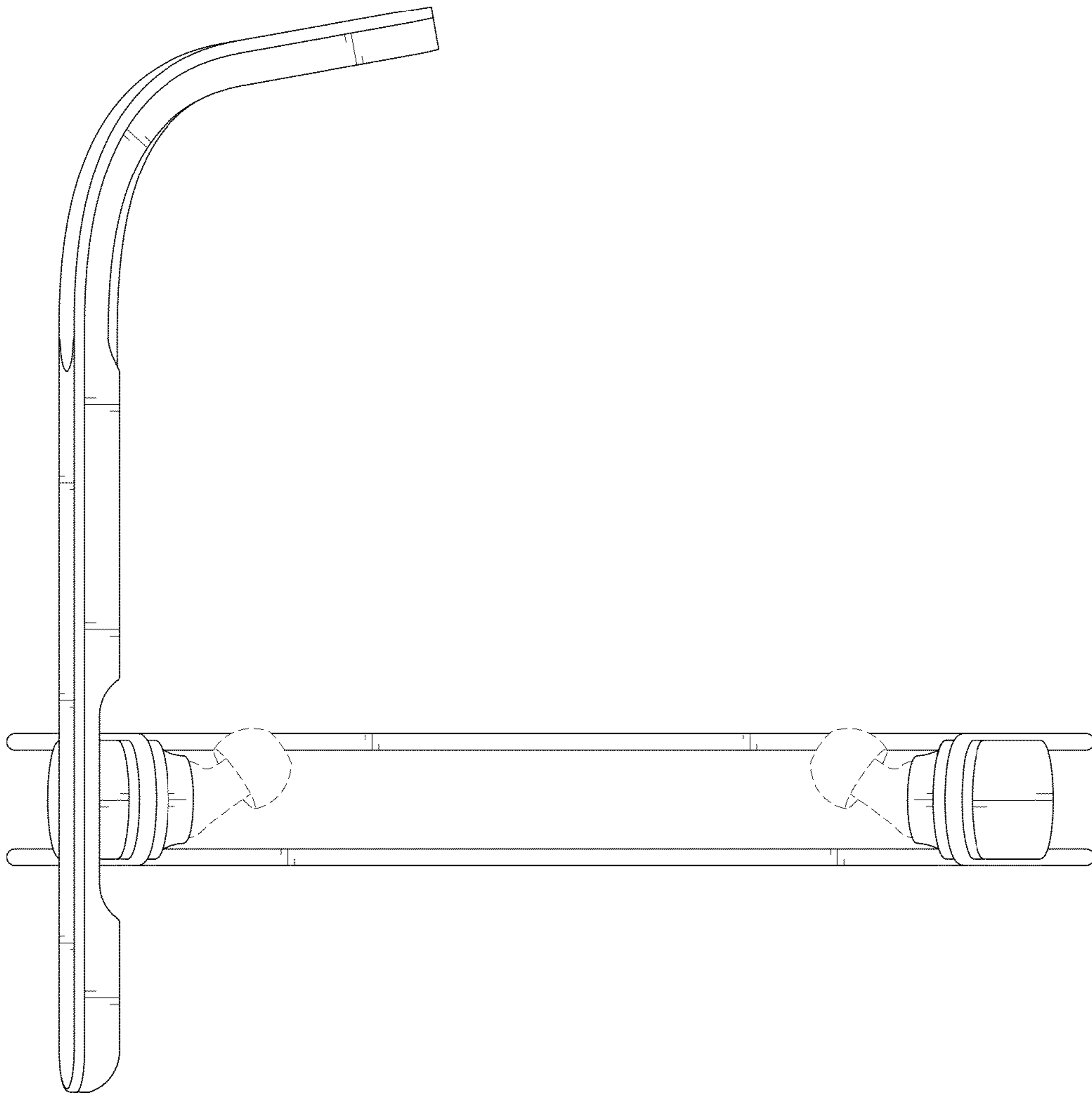


FIG. 8

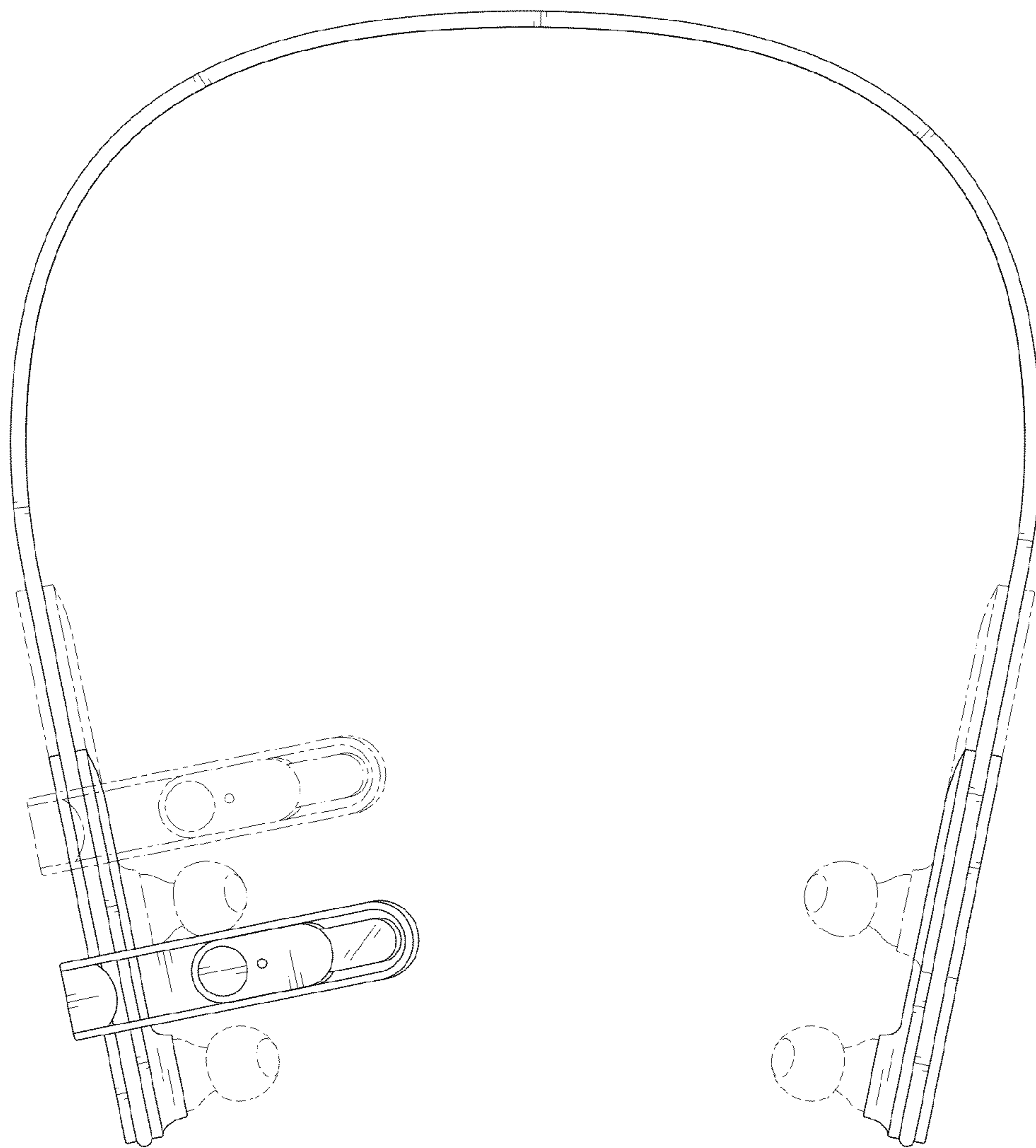


FIG. 9

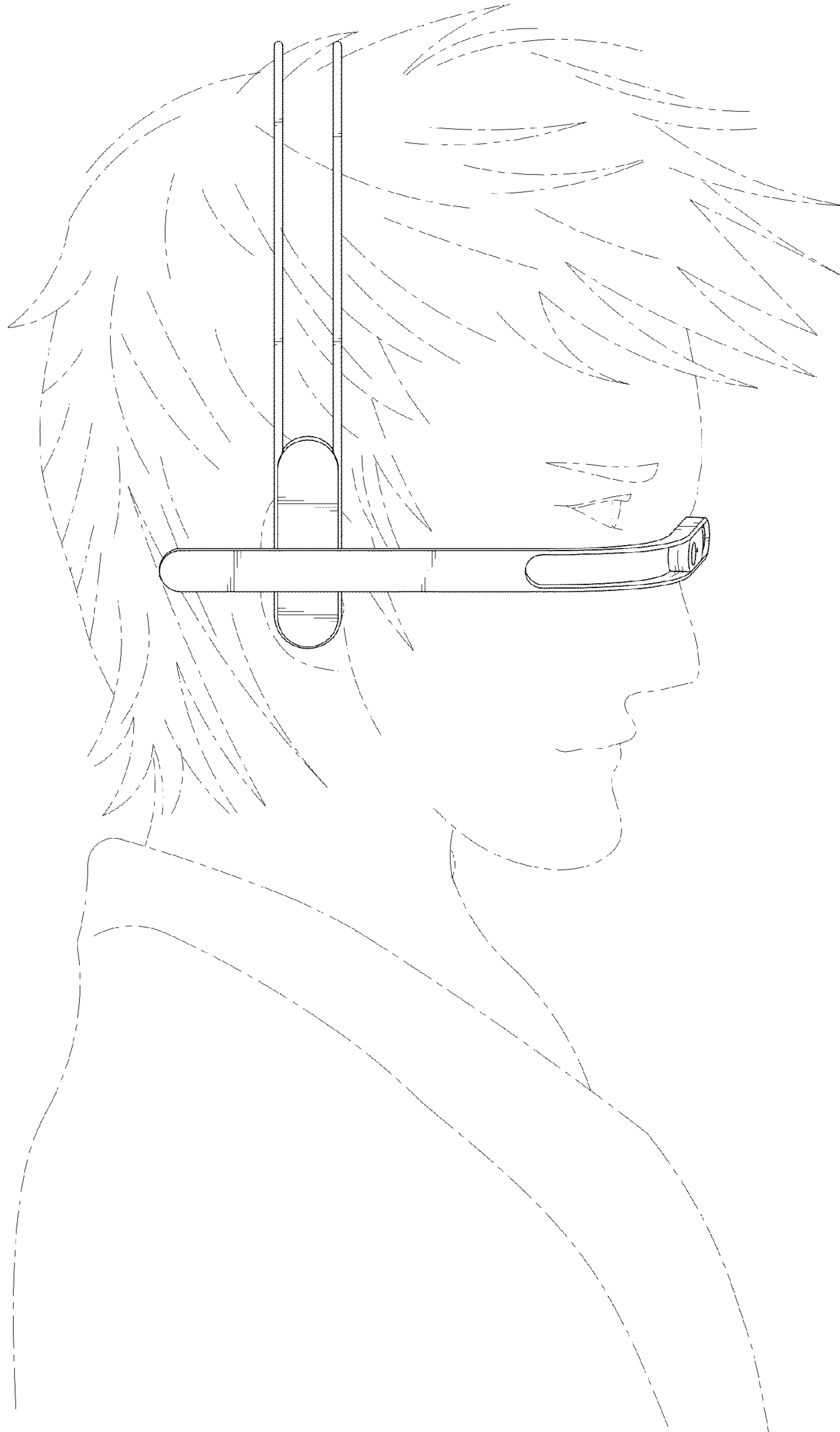


FIG. 10

