



US00D724081S

(12) **United States Design Patent**  
**Kuehn et al.**

(10) **Patent No.:** **US D724,081 S**  
(45) **Date of Patent:** **\*\* Mar. 10, 2015**

(54) **TOP LOADING FAN CARTRIDGE**  
(71) Applicant: **Hewlett-Packard Development Company, L.P.**, Houston, TX (US)  
(72) Inventors: **Keith J. Kuehn**, Magnolia, TX (US);  
**Kevin D. Conn**, Montgomery, TX (US);  
**Thomas Robert Bowden**, Houston, TX (US)

D447,484 S 9/2001 Reznikov et al.  
6,288,897 B1 9/2001 Fritschle et al.  
D458,924 S \* 6/2002 Tsuyuki et al. .... D14/367  
6,490,153 B1 12/2002 Casebolt et al.  
6,603,661 B2 8/2003 Smith et al.  
6,654,252 B2 11/2003 Raynham  
D484,509 S 12/2003 Frank et al.  
D494,975 S 8/2004 McClelland et al.  
6,839,233 B2 1/2005 Cravens et al.

(Continued)

(73) Assignee: **Hewlett-Packard Development Company, L.P.**, Houston, TX (US)

FOREIGN PATENT DOCUMENTS

JP 4126000 4/1992

(\*\*) Term: **14 Years**

OTHER PUBLICATIONS

(21) Appl. No.: **29/447,626**

“Cisco Nexus 7000 Series Switches Data Sheet” Retrieved Mar. 6, 2013 [http://www.cisco.com/en/US/prod/collateral/switches/ps9441/ps9402/ps9512/Data\\_Sheet\\_C78-437762.html](http://www.cisco.com/en/US/prod/collateral/switches/ps9441/ps9402/ps9512/Data_Sheet_C78-437762.html) 8 pp.

(22) Filed: **Mar. 5, 2013**

(51) **LOC (10) Cl.** ..... **14-02**

(Continued)

(52) **U.S. Cl.**

USPC ..... **D14/367**

(58) **Field of Classification Search**

USPC ..... D14/240, 300, 308, 313, 348–356,  
D14/364–368; D13/162, 184, 199;  
312/223.1–223.3, 351.11;  
360/99.01–99.12; 369/34.01–36.01;  
361/679.31–679.33, 679.37, 679.39,  
361/679.46, 679.51, 679.53, 679.4, 679.41,  
361/727

*Primary Examiner* — Freda S Nunn

(74) *Attorney, Agent, or Firm* — International IP Law Group, PLLC

See application file for complete search history.

(57) **CLAIM**

The ornamental design for a top loading fan cartridge, as shown and described.

**DESCRIPTION**

(56) **References Cited**

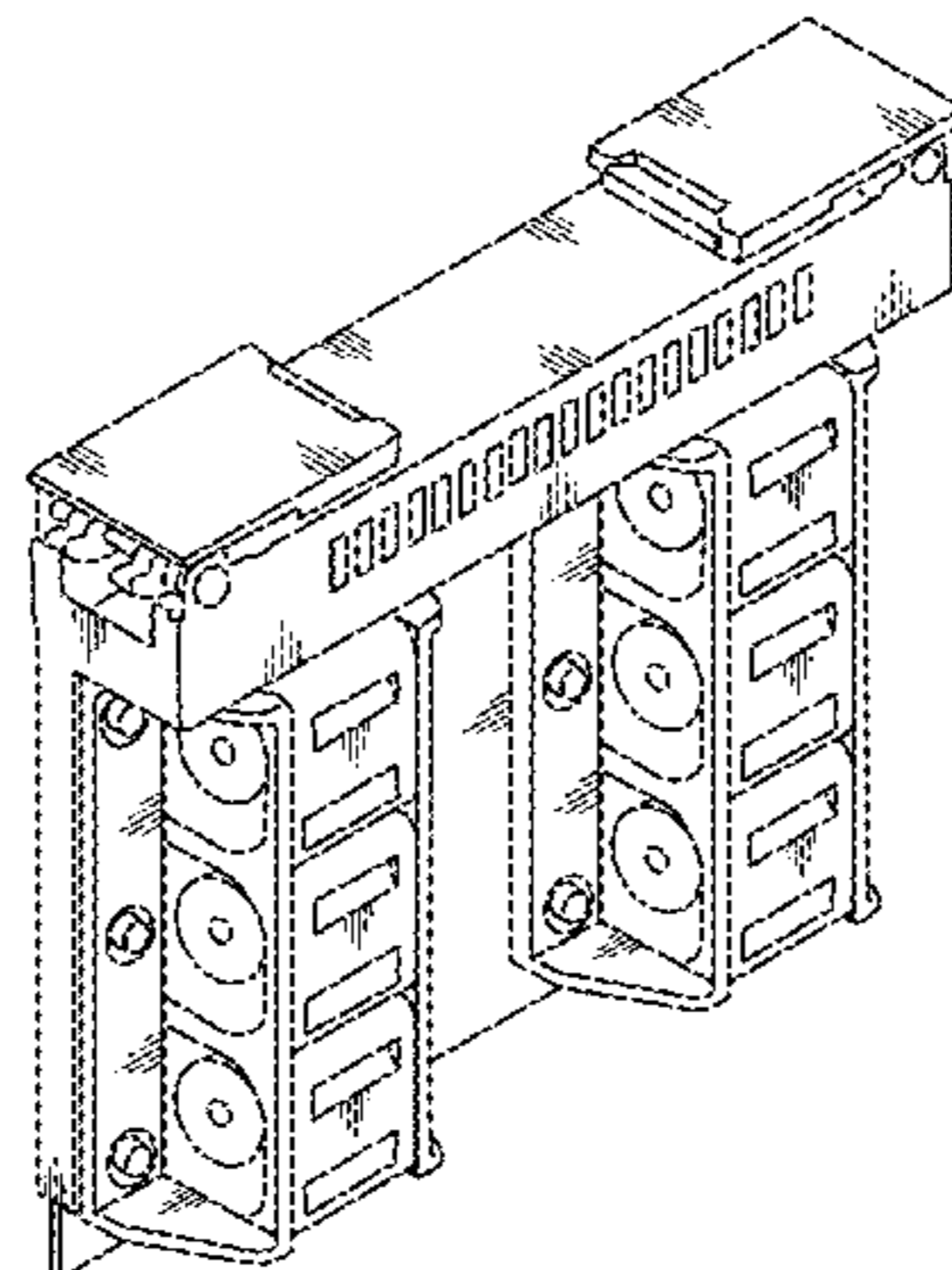
U.S. PATENT DOCUMENTS

4,493,010 A \* 1/1985 Morrison et al. .... 361/698  
D316,546 S \* 4/1991 Pedinielli et al. .... D14/242  
5,506,750 A 4/1996 Carteau et al.  
5,691,879 A 11/1997 Lopez et al.  
D393,632 S \* 4/1998 Sherry ..... D14/435  
D399,498 S \* 10/1998 Chang ..... D14/367  
6,067,225 A 5/2000 Reznikov et al.  
6,091,571 A \* 7/2000 Hanson ..... 360/98.04

FIG. 1 is a top perspective view of a top loading fan cartridge; FIG. 2 is a front view of the top loading fan cartridge; FIG. 3 is a back view of the top loading fan cartridge; FIG. 4 is a side view of the top loading fan cartridge; and, FIG. 5 is a top perspective view of the top loading fan cartridge being loaded into a top loading server, wherein handles of the top loading fan cartridge are extended.

The broken lines shown in the drawings illustrate portions of the top loading server and form no part of the claimed design.

**1 Claim, 5 Drawing Sheets**



(56)

**References Cited**

U.S. PATENT DOCUMENTS

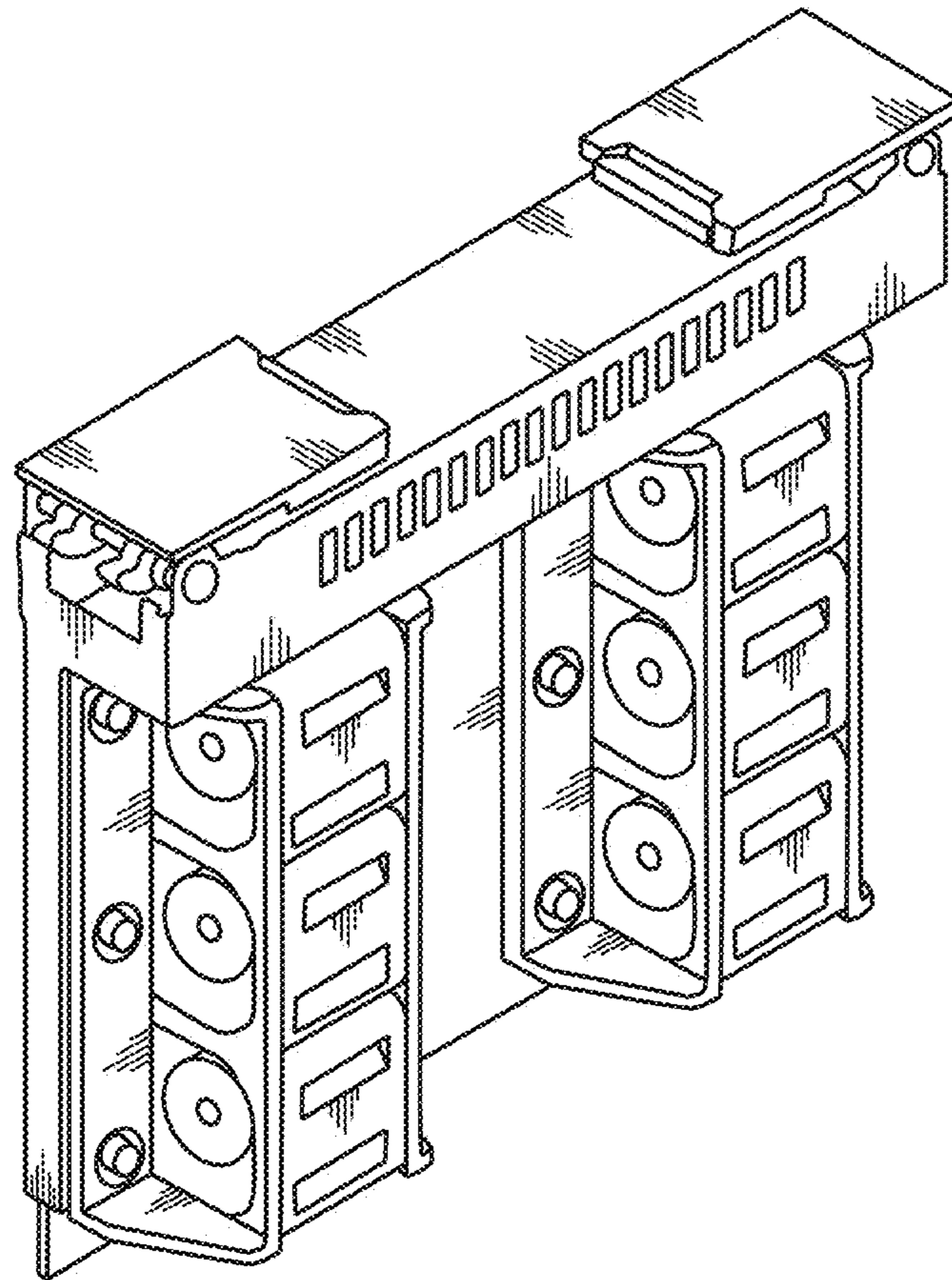
6,839,237 B2 1/2005 Berry et al.  
 6,912,132 B2 6/2005 Riddiford et al.  
 7,039,299 B2 5/2006 Onodera  
 D545,321 S 6/2007 Frank et al.  
 7,379,294 B2 5/2008 Chen  
 7,408,772 B2 8/2008 Grady et al.  
 D588,132 S 3/2009 Lauffer et al.  
 7,576,977 B2 8/2009 Signer et al.  
 7,660,108 B2 2/2010 Baker et al.  
 7,675,750 B1 3/2010 Tamarkin  
 7,675,754 B2 3/2010 Barina et al.  
 7,855,938 B2 12/2010 Hoelsaeter et al.  
 7,920,384 B2 4/2011 Westphall et al.  
 7,940,521 B2 5/2011 Carlisi et al.  
 8,009,419 B2\* 8/2011 Attlesey et al. .... 361/679.53  
 8,054,638 B2 11/2011 Graybill et al.  
 8,144,464 B2 3/2012 VanDerVeen et al.  
 8,199,511 B2 6/2012 Kim et al.  
 8,305,754 B2\* 11/2012 Wu et al. .... 361/688  
 D685,373 S 7/2013 Santos et al.  
 D711,387 S 8/2014 Kuehn  
 2002/0008961 A1 1/2002 Amaike et al.  
 2004/0047128 A1 3/2004 McClelland, II et al.

2004/0075983 A1 4/2004 Thompson et al.  
 2004/0162018 A1 8/2004 Lee et al.  
 2004/0240171 A1 12/2004 Liao  
 2005/0254210 A1 11/2005 Grady et al.  
 2006/0023413 A1 2/2006 Lo et al.  
 2007/0050644 A1 3/2007 Merkin  
 2007/0165618 A1 7/2007 Niazi et al.  
 2008/0212273 A1 9/2008 Bechtolsheim  
 2009/0116178 A1 5/2009 Champion et al.  
 2009/0260777 A1\* 10/2009 Attlesey ..... 165/67  
 2010/0172076 A1 7/2010 Cravens et al.  
 2011/0116233 A1 5/2011 Beaudoin et al.  
 2012/0020008 A1 1/2012 Dunwoody et al.  
 2012/0111534 A1 5/2012 Chen et al.  
 2012/0120596 A1 5/2012 Bechtolsheim

OTHER PUBLICATIONS

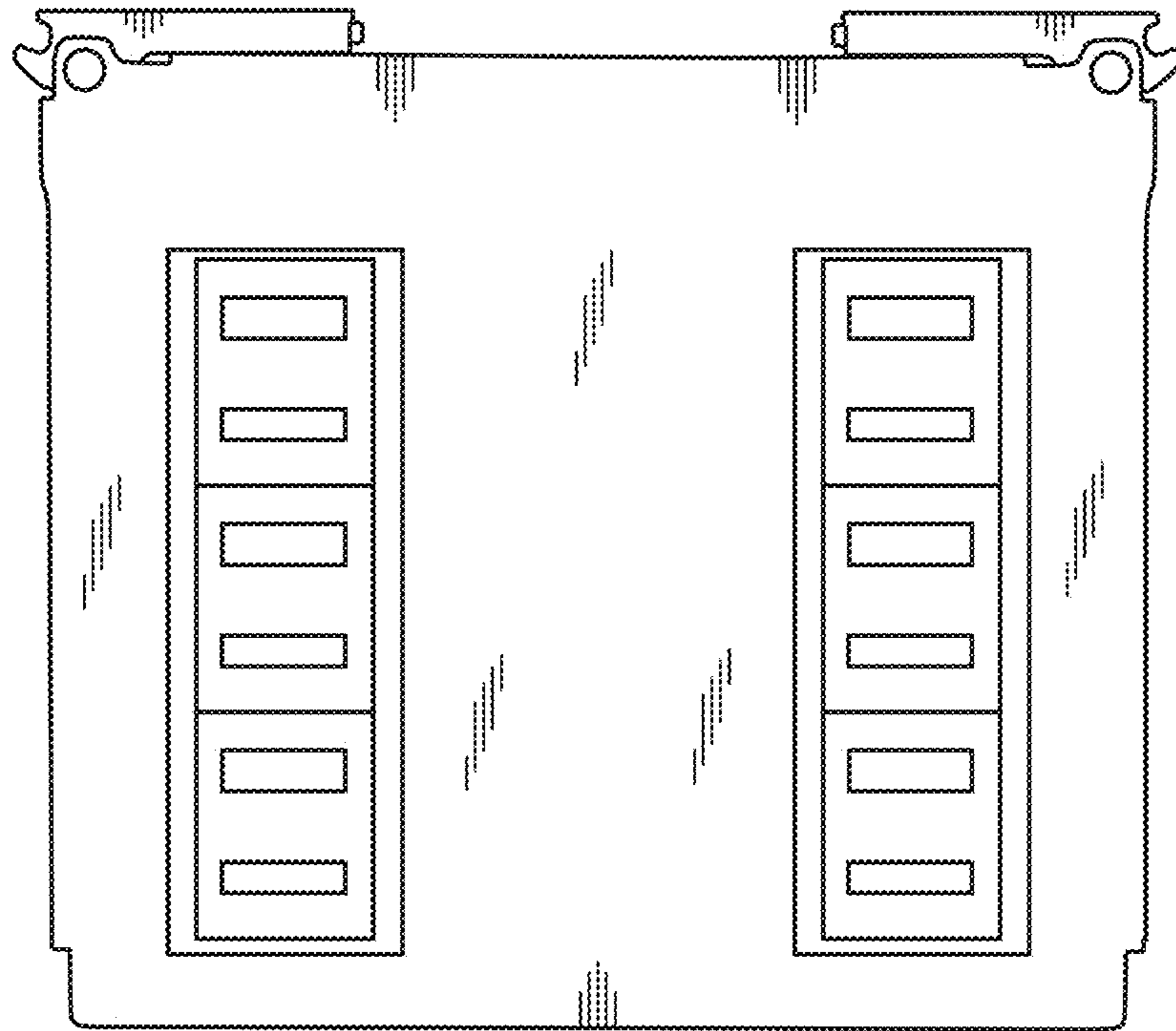
ISA/KR, International Search Report mailed Dec. 11, 2013, PCT/US2013/033910.  
 ISA/KR, International Search Report, mailed Dec. 11, 2013, PCT/US2013/033914.  
 Office Action dated Feb. 12, 2014, U.S. Appl. No. 29/441,455, now Pat No. D711387.

\* cited by examiner



100

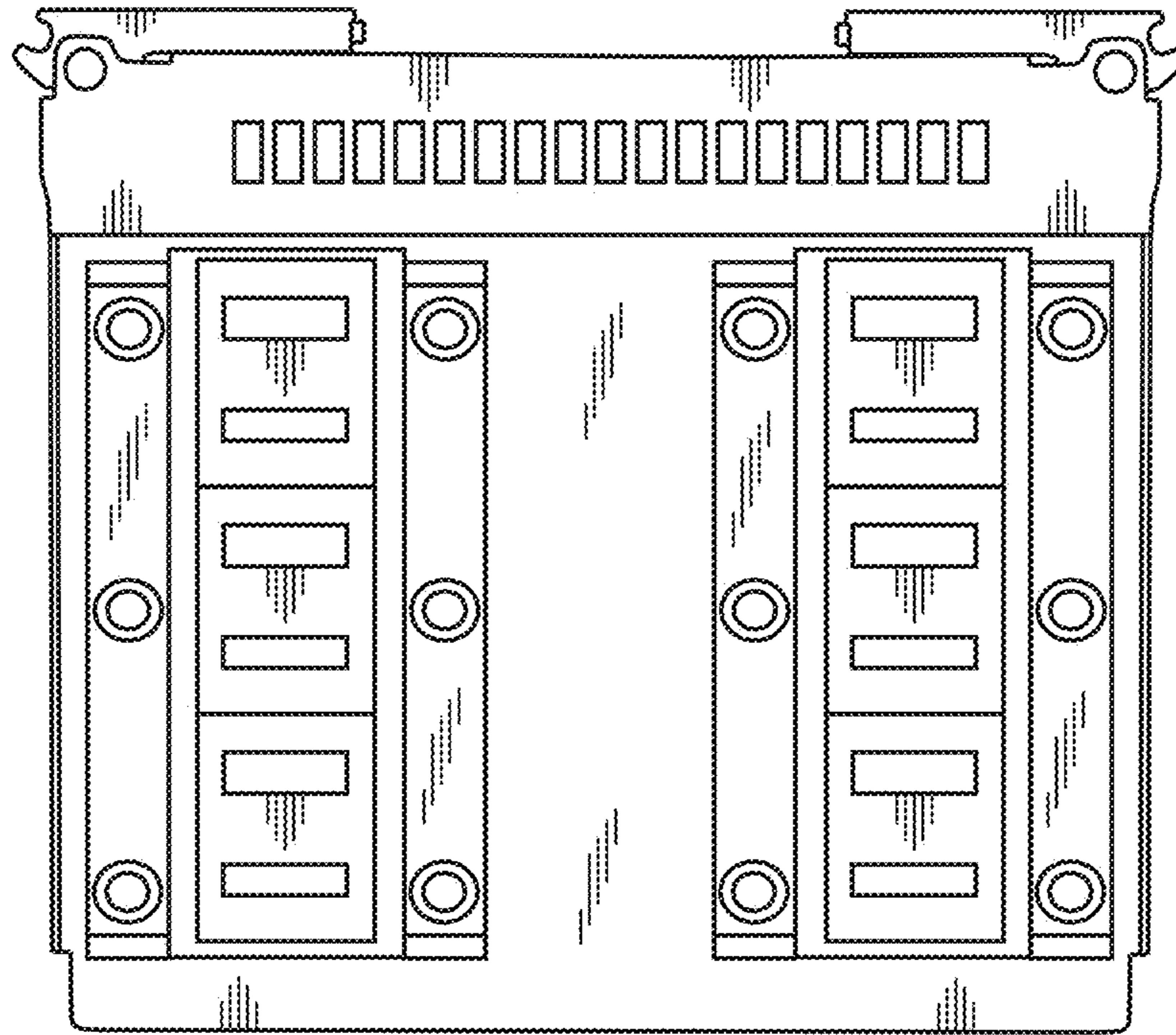
FIG. 1



200

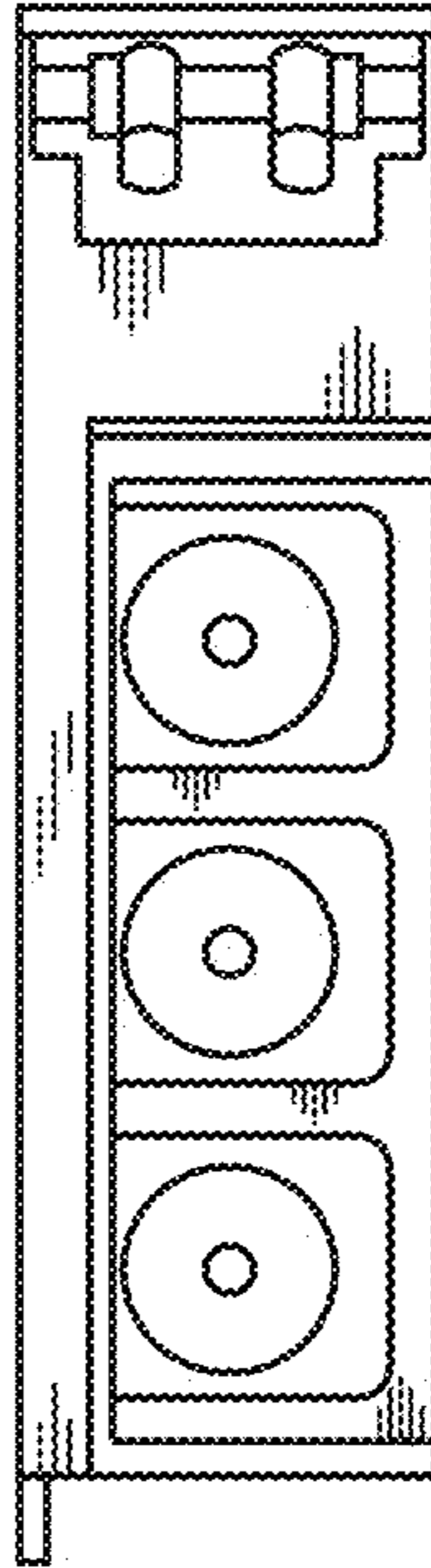
FIG. 2



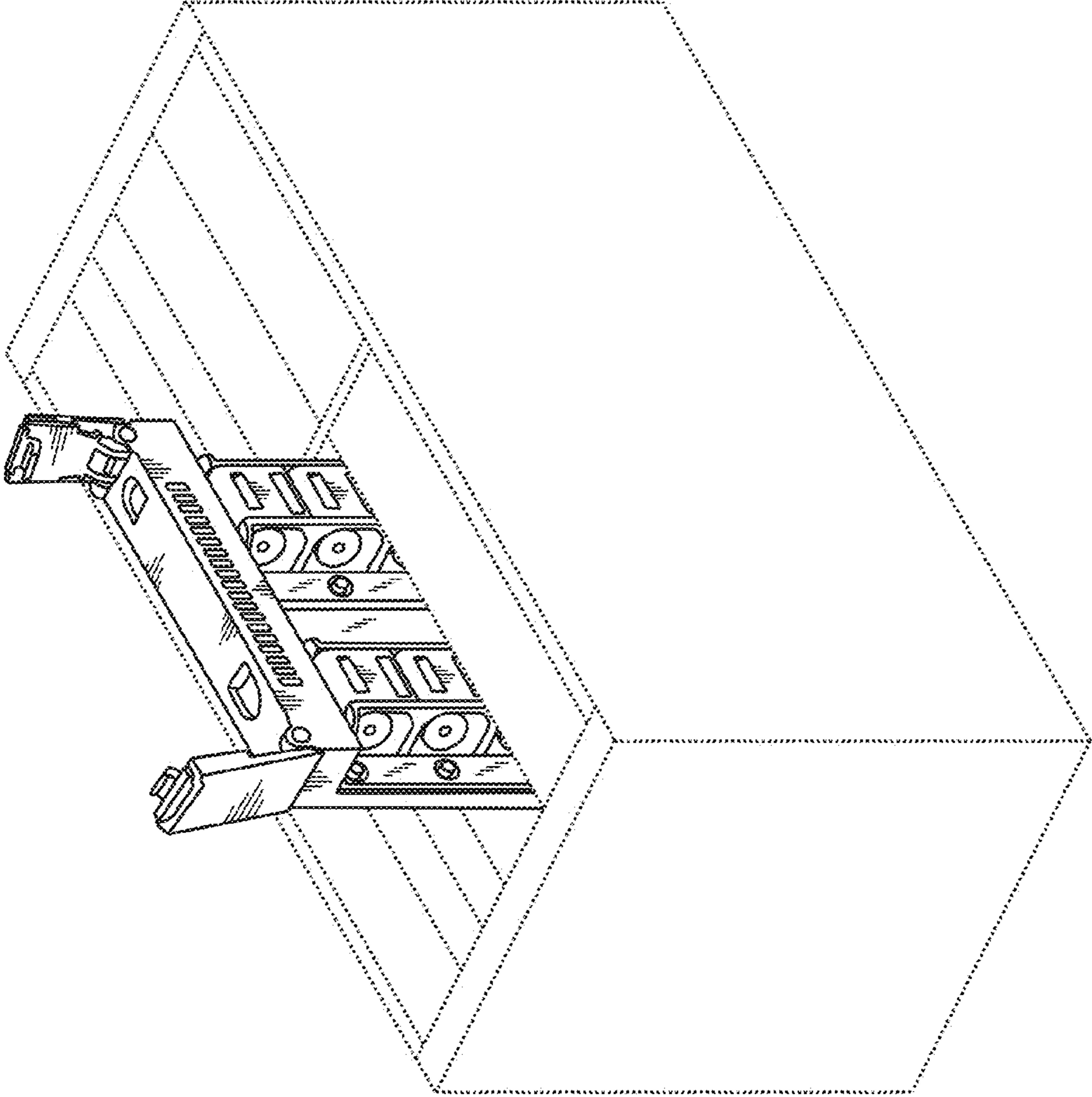


300

FIG. 3



400  
FIG. 4



500  
FIG. 5