



US00D724077S

(12) **United States Design Patent**  
**Hallar et al.**

(10) **Patent No.:** **US D724,077 S**  
(45) **Date of Patent:** **\*\* Mar. 10, 2015**

(54) **INFORMATION HANDLING SYSTEM HOUSING**

D624,911 S \* 10/2010 Lee et al. .... D14/315  
D649,546 S \* 11/2011 Kim et al. .... D14/327  
D676,041 S \* 2/2013 McManigal et al. .... D14/315

(71) Applicant: **Dell Products L.P.**, Round Rock, TX (US)

\* cited by examiner

(72) Inventors: **James H Hallar**, Austin, TX (US); **Paul J Doczy**, Austin, TX (US)

*Primary Examiner* — Freda S Nunn

(73) Assignee: **Dell Products L.P.**, Round Rock, TX (US)

(74) *Attorney, Agent, or Firm* — Terrile, Cannatti, Chambers & Holland, LLP; Robert W. Holland

(\*\*) Term: **14 Years**

(57) **CLAIM**

The ornamental design for an information handling system housing, as shown and described.

(21) Appl. No.: **29/469,569**

**DESCRIPTION**

(22) Filed: **Oct. 11, 2013**

(51) **LOC (10) Cl.** ..... **14-02**

(52) **U.S. Cl.**  
USPC ..... **D14/327**

(58) **Field of Classification Search**  
USPC ..... D14/315–327, 331; D18/1, 2, 7, 11;  
235/145 A, 145 R; 341/22, 23; 345/104,  
345/156, 168, 169, 173; 361/679.08,  
361/679.09, 679.11, 679.26, 679.27;  
379/433.12; 16/341, 367  
See application file for complete search history.

FIG. 1 is a front perspective view of an information handling system housing comprising the present invention;  
FIG. 2 is a front side view thereof;  
FIG. 3 is a rear side view thereof;  
FIG. 4 is a right side view thereof;  
FIG. 5 is a left side view thereof;  
FIG. 6 is a top view thereof;  
FIG. 7 is a bottom view thereof;  
FIG. 8 is a bottom perspective view thereof; and,  
FIG. 9 is a front perspective view of the information handling system housing in a partially open position.

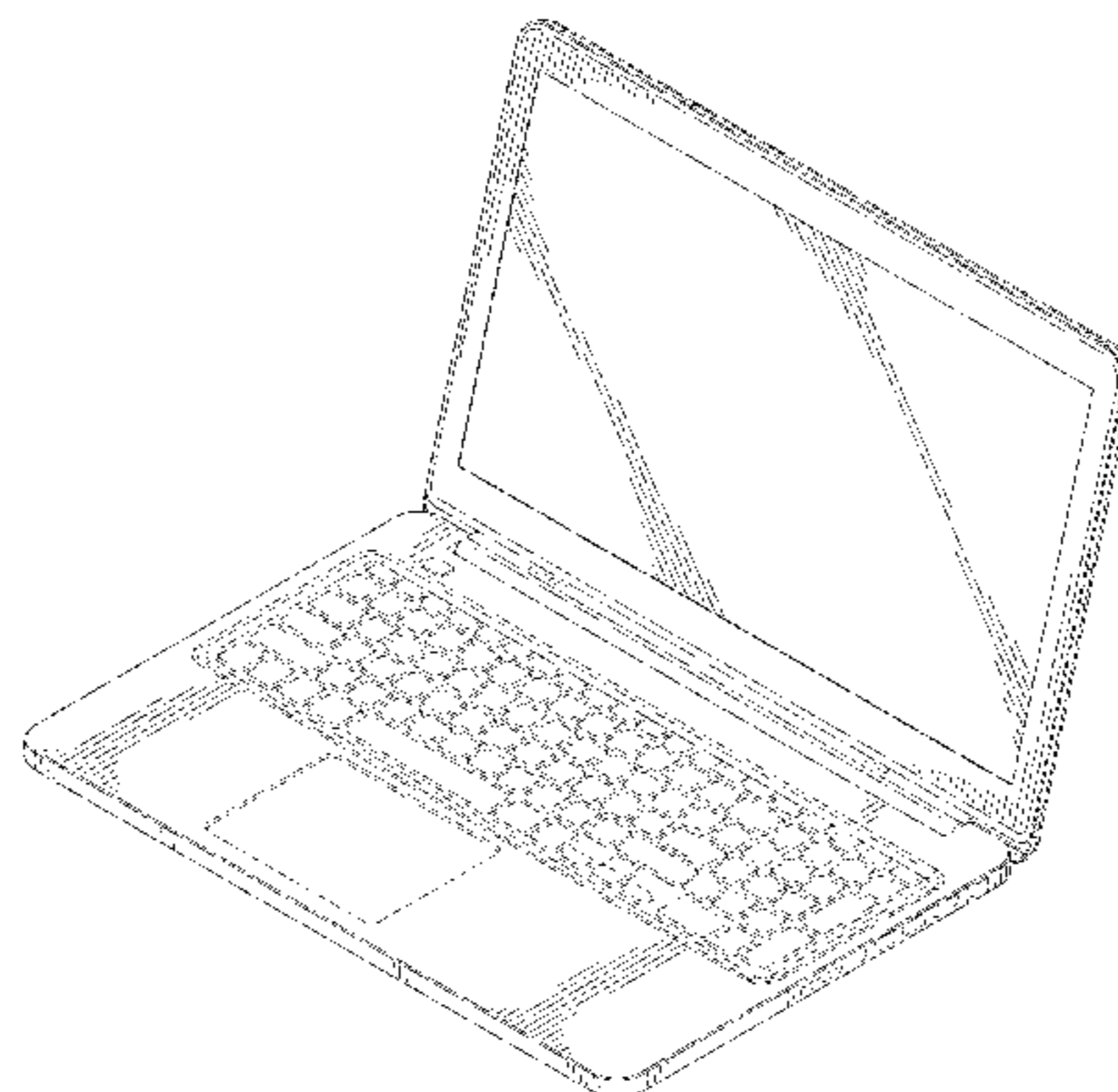
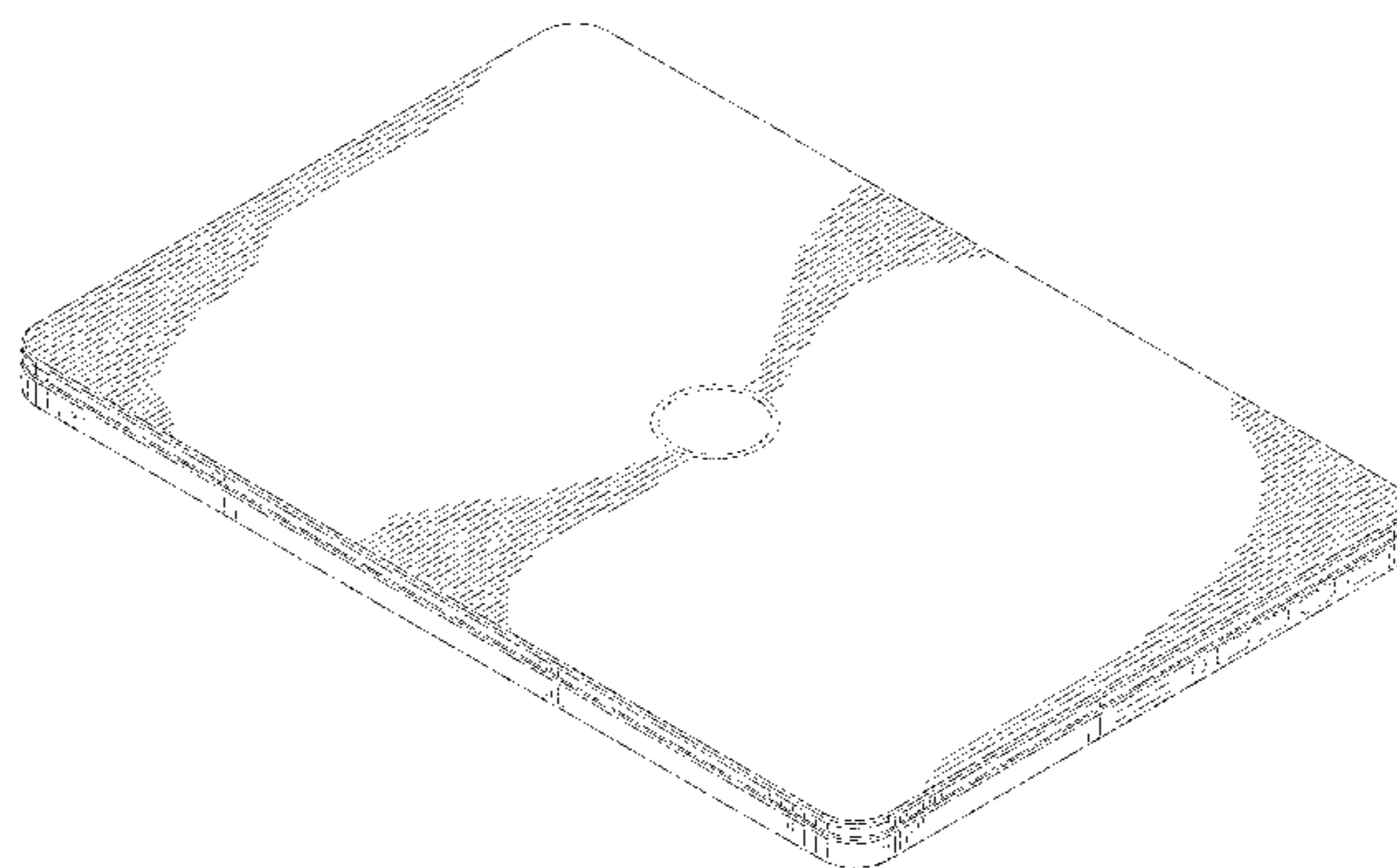
Broken lines shown in the drawings illustrate portions of the information handling system housing, and form no part of the claimed design.

(56) **References Cited**

**U.S. PATENT DOCUMENTS**

6,067,224 A \* 5/2000 Nobuchi ..... 361/679.27

**1 Claim, 7 Drawing Sheets**



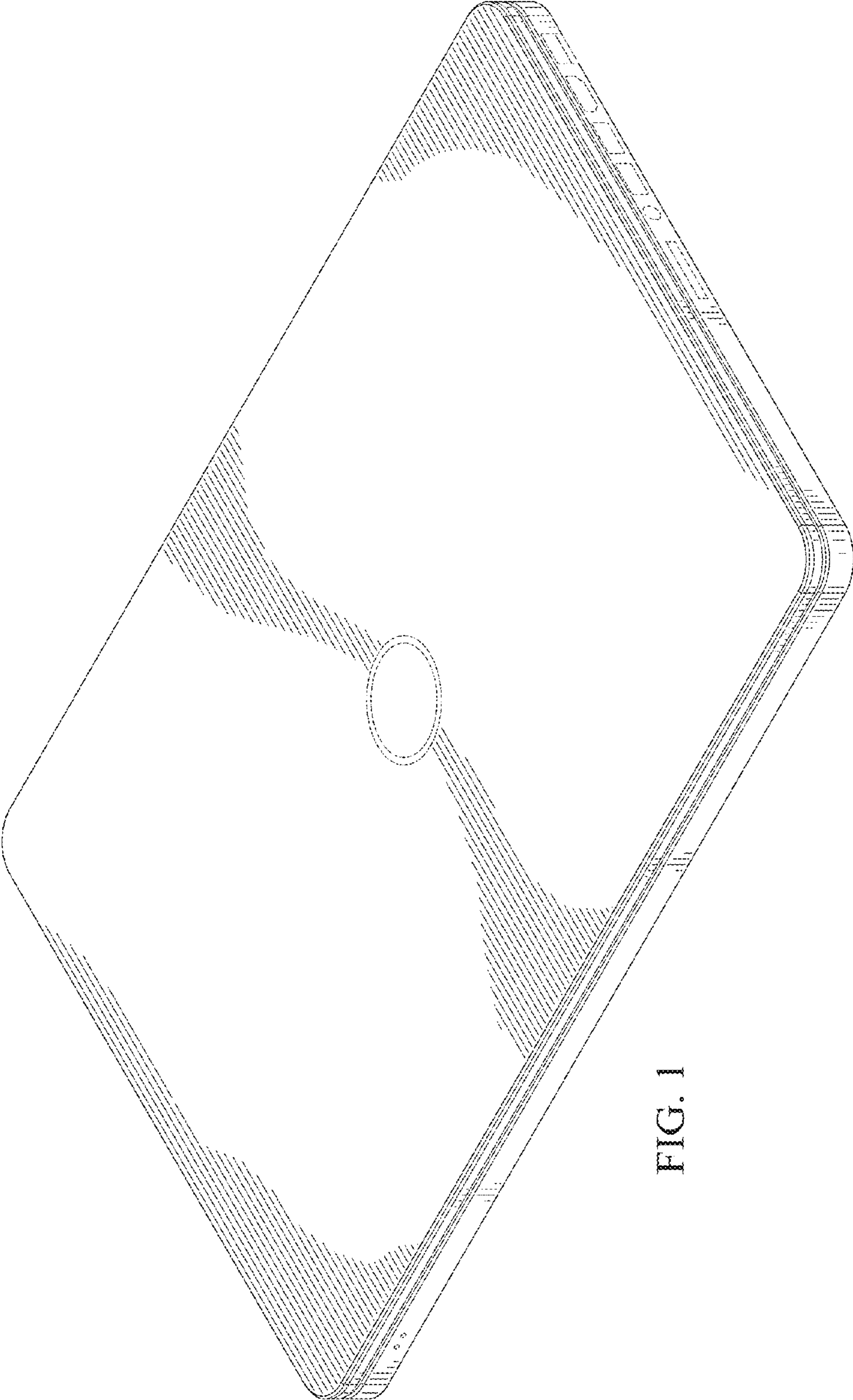


FIG. 1

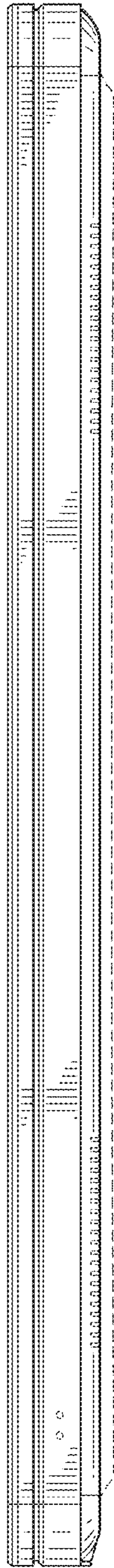


FIG. 2

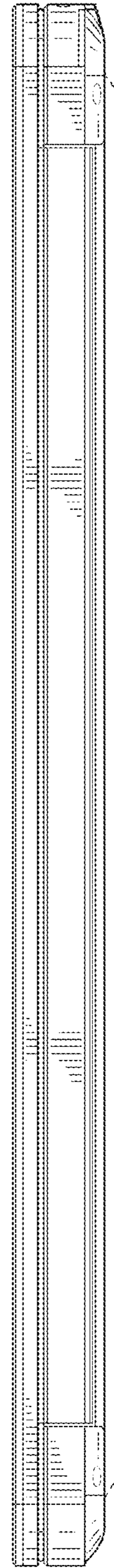


FIG. 3

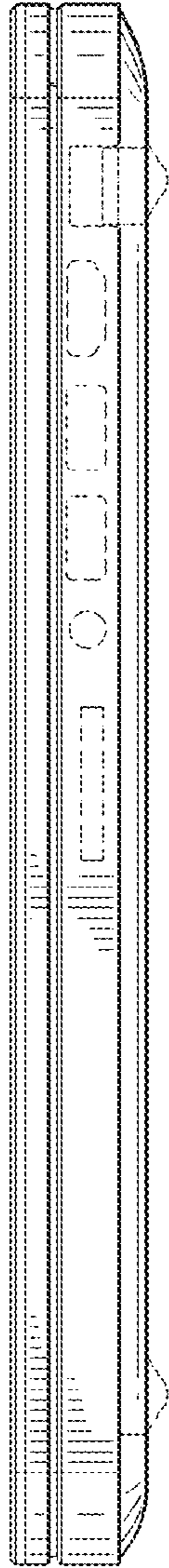


FIG. 4

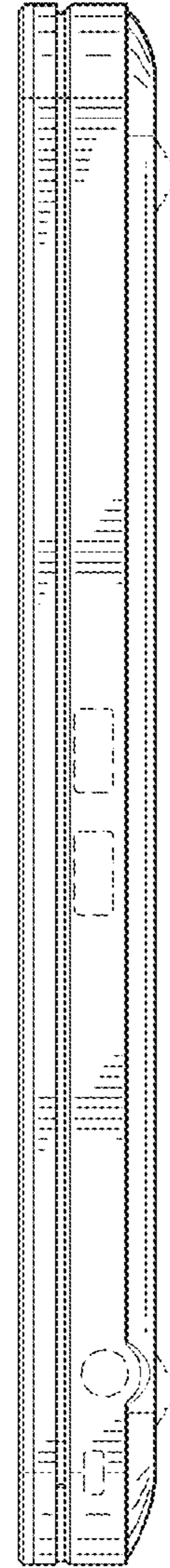


FIG. 5

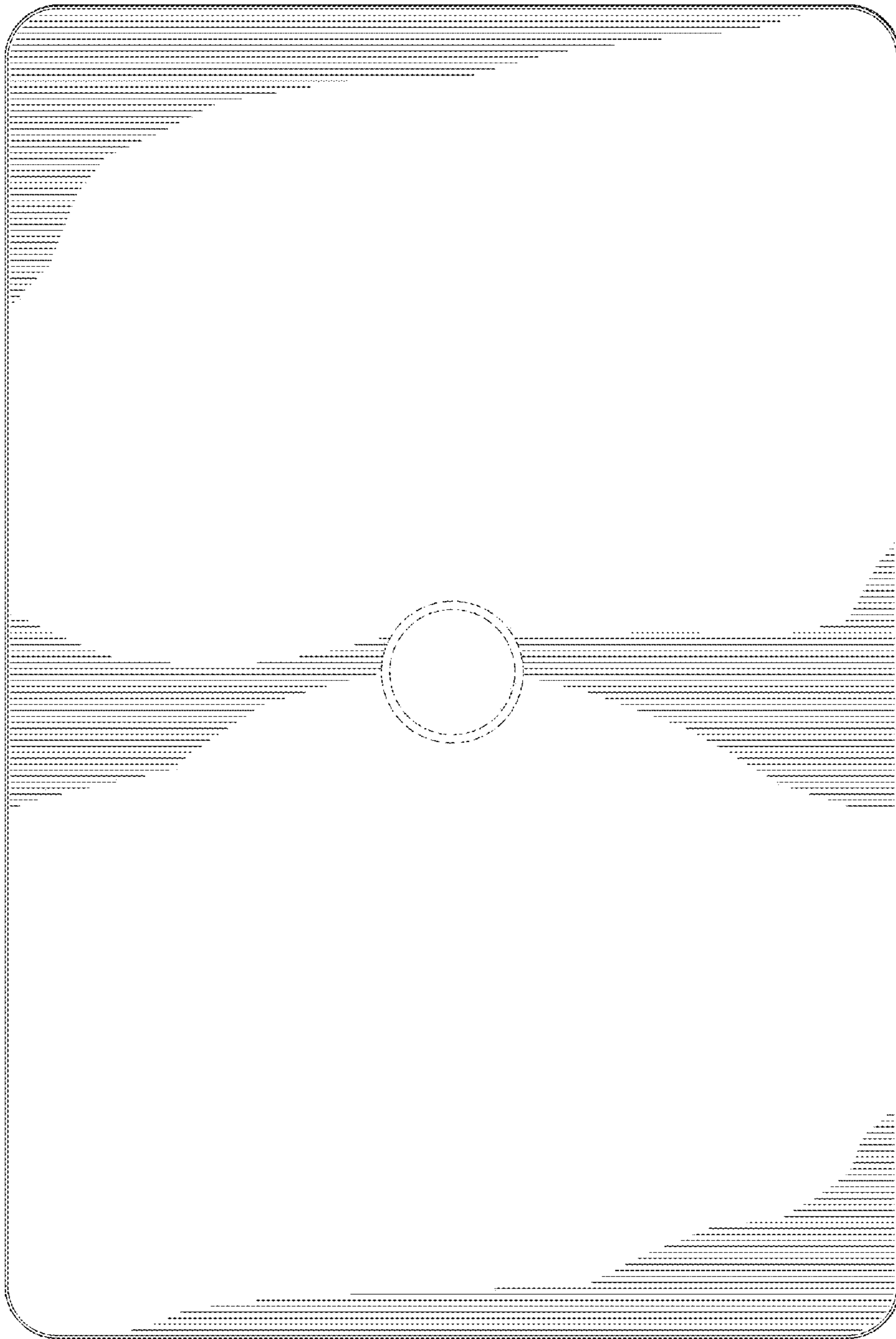


FIG. 6

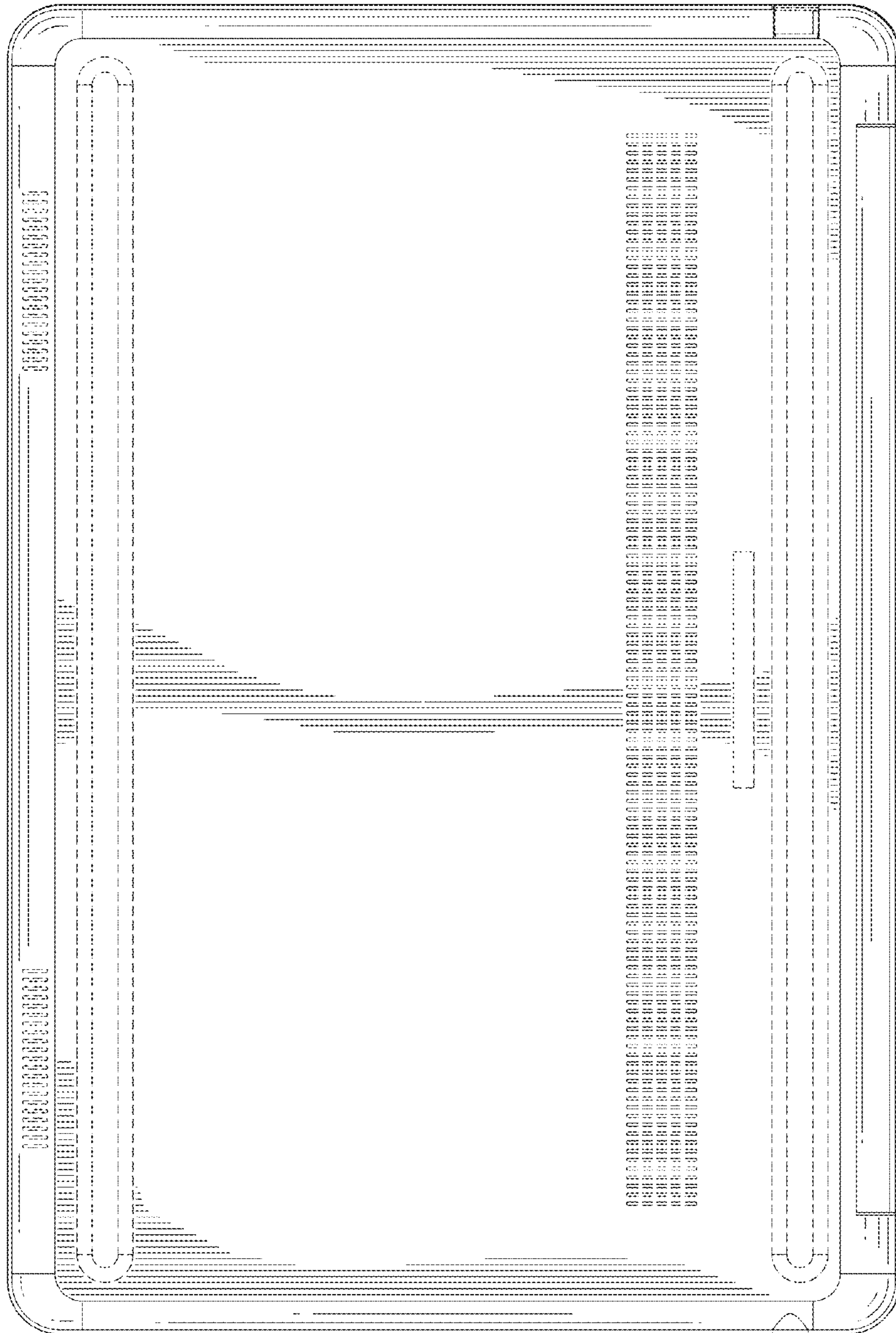


FIG. 7

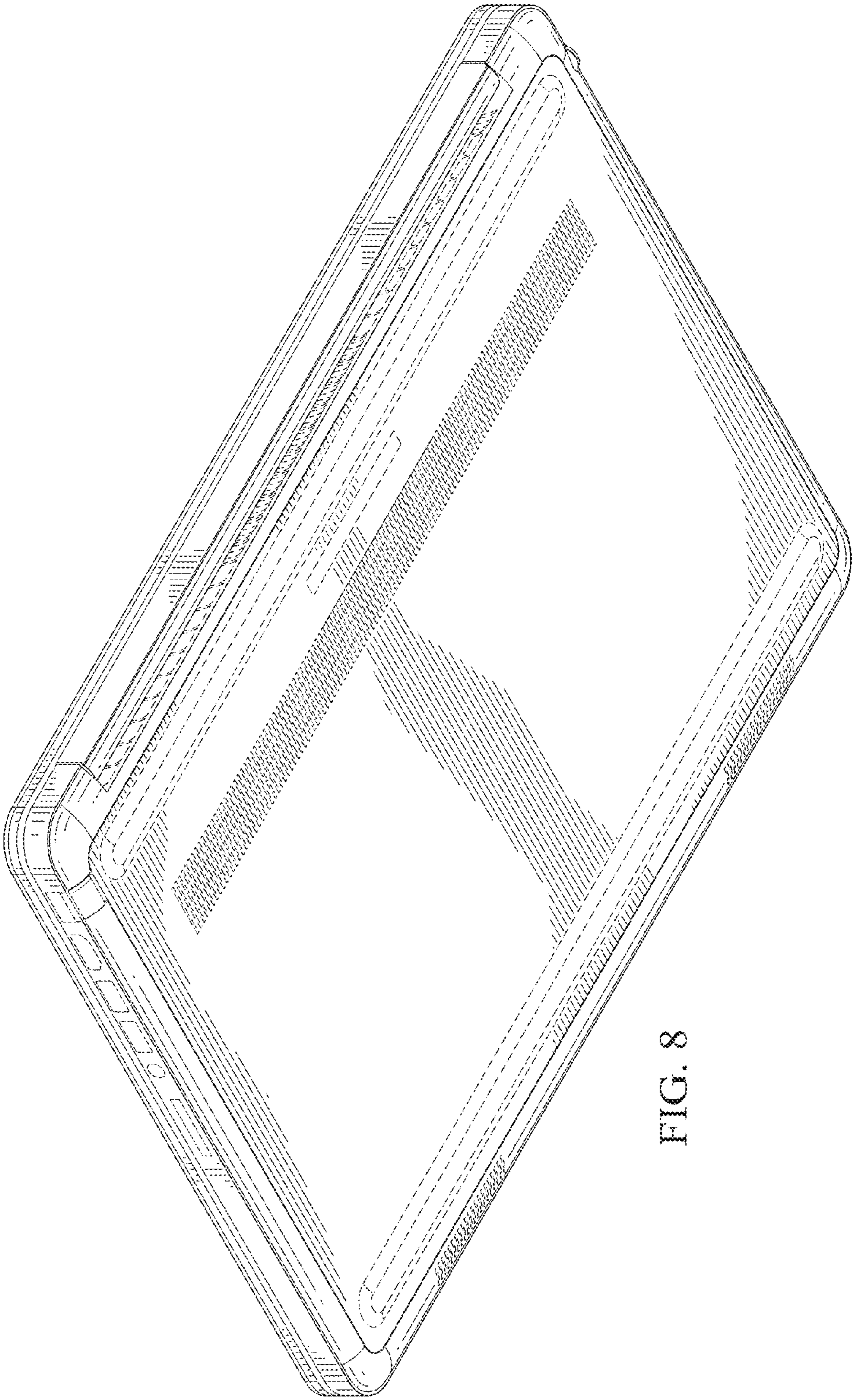


FIG. 8

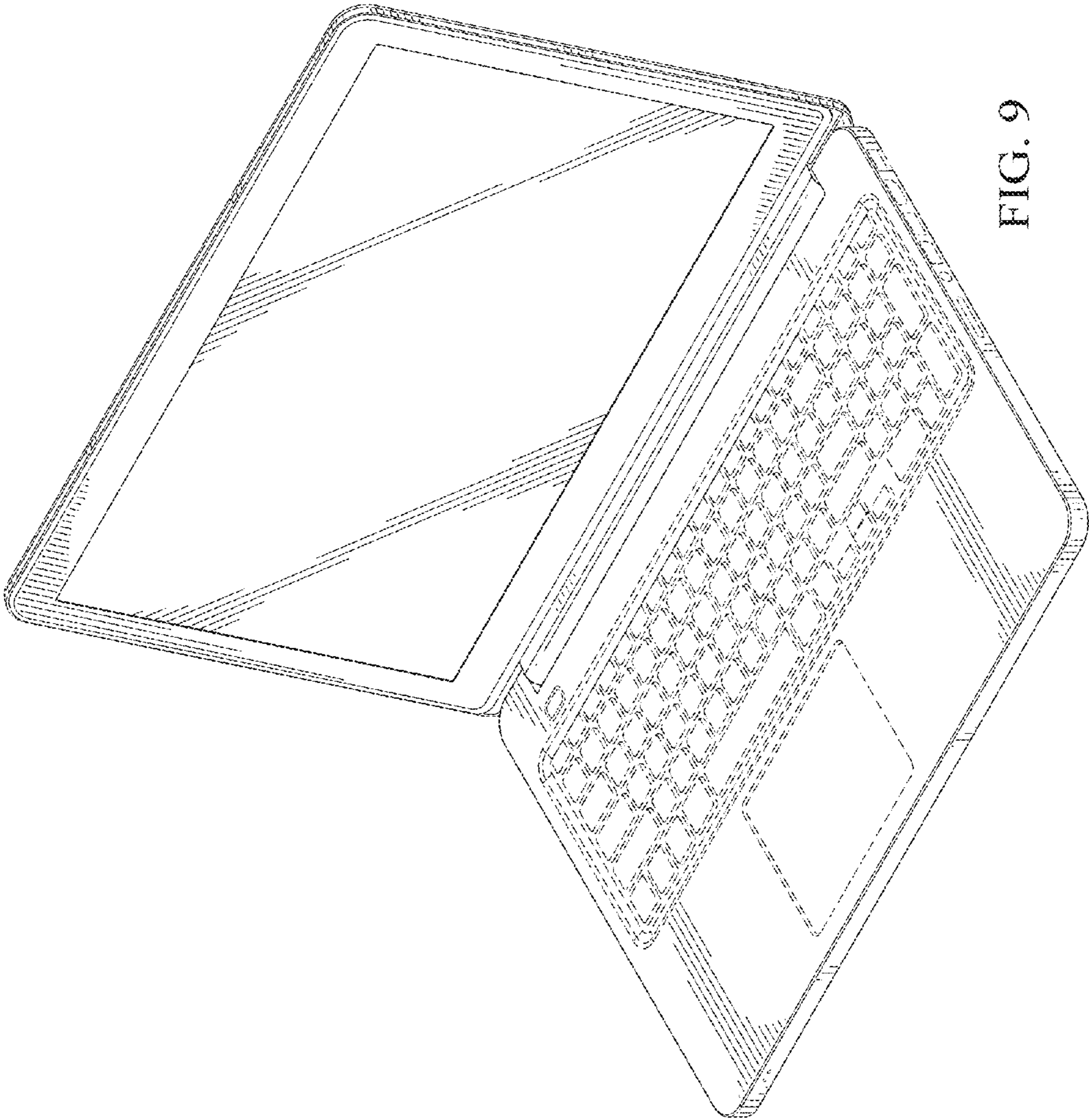


FIG. 9