

US00D724075S

(12) **United States Design Patent**
Sohn et al.

(10) **Patent No.:** **US D724,075 S**
(45) **Date of Patent:** **** Mar. 10, 2015**

(54) **PORTABLE COMPUTER**

(71) Applicant: **Samsung Electronics Co., Ltd.**,
Suwon-si (KR)

(72) Inventors: **Dong-Hoon Sohn**, Seoul (KR); **Anders P. Jensen**, Charlottenlund (DK)

(73) Assignee: **Samsung Electronics Co., Ltd.** (KR)

(**) Term: **14 Years**

(21) Appl. No.: **29/472,992**

(22) Filed: **Nov. 18, 2013**

(30) **Foreign Application Priority Data**

Jul. 31, 2013 (KR) 30-2013-0039678

(51) **LOC (10) Cl.** **14-02**

(52) **U.S. Cl.**
USPC **D14/315**

(58) **Field of Classification Search**
CPC G06F 1/1683
USPC D14/315-327, 331; D18/1, 2, 7, 11;
235/145 A, 145 R; 341/22, 23; 345/104,
345/156, 168, 169, 173; 361/679.08,
361/679.09, 679.11, 679.26, 679.27,
361/679.55, 679.59; 379/433.12; 16/341,
16/367

See application file for complete search history.

(56) **References Cited**

U.S. PATENT DOCUMENTS

6,480,373 B1 * 11/2002 Landry et al. 361/679.06
D488,807 S * 4/2004 Ogasawara D14/318
D591,283 S * 4/2009 Luminosu et al. D14/318
D675,199 S * 1/2013 Wen et al. D14/315

* cited by examiner

Primary Examiner — Freda S Nunn

(74) *Attorney, Agent, or Firm* — Cantor Colburn LLP

(57) **CLAIM**

The ornamental design for a portable computer, as shown and described.

DESCRIPTION

FIG. 1 is a top front perspective view of a portable computer showing our new design;

FIG. 2 is a front view thereof;

FIG. 3 is a rear view thereof;

FIG. 4 is a side view thereof;

FIG. 5 is another side view thereof;

FIG. 6 is a top view thereof;

FIG. 7 is a bottom view thereof; and,

FIG. 8 is another view thereof, with the portable computer shown in an open position.

The broken lines illustrating portions of the portable computer are for environmental purposes only and form no part of the claimed design.

1 Claim, 5 Drawing Sheets

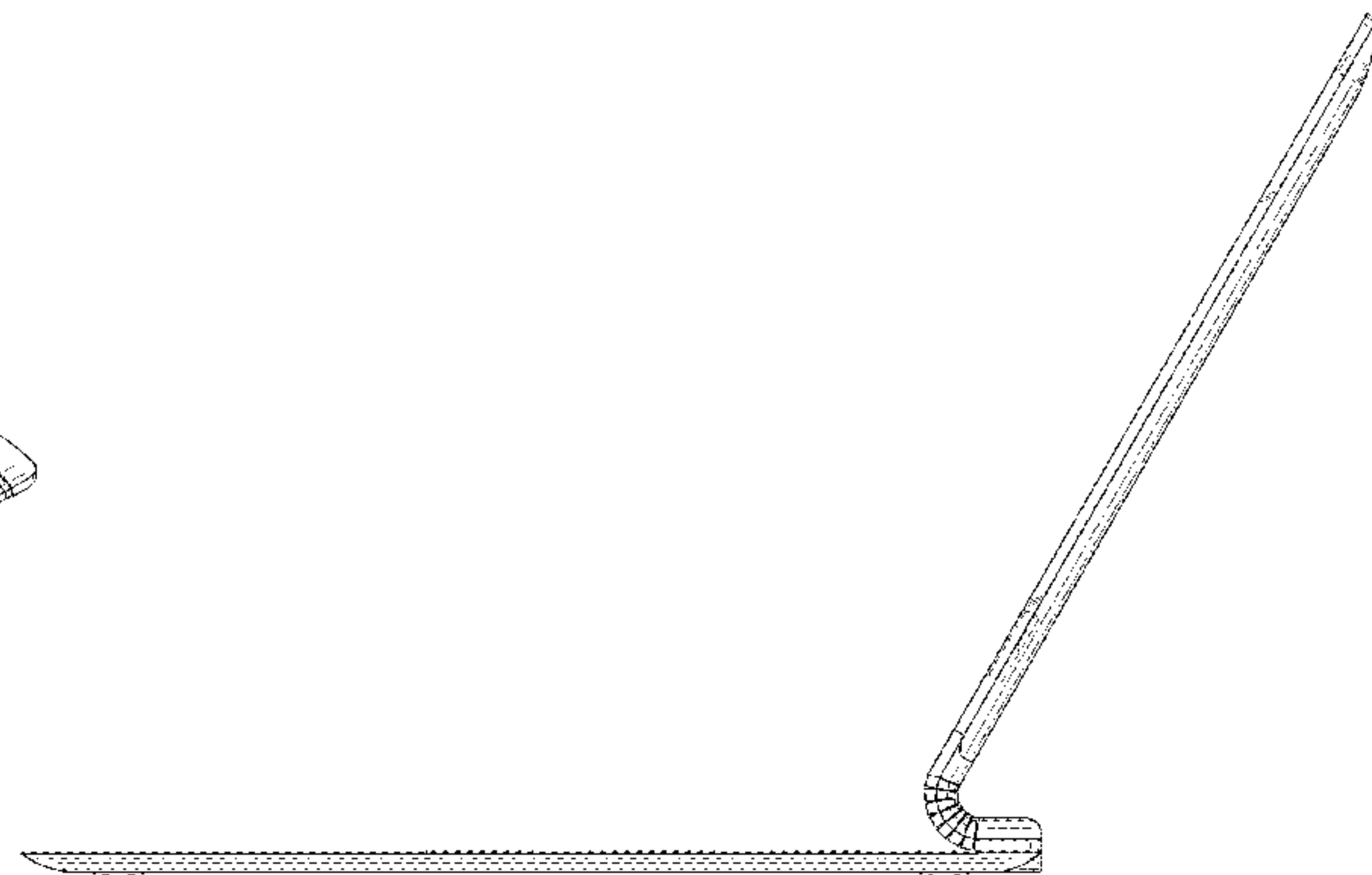
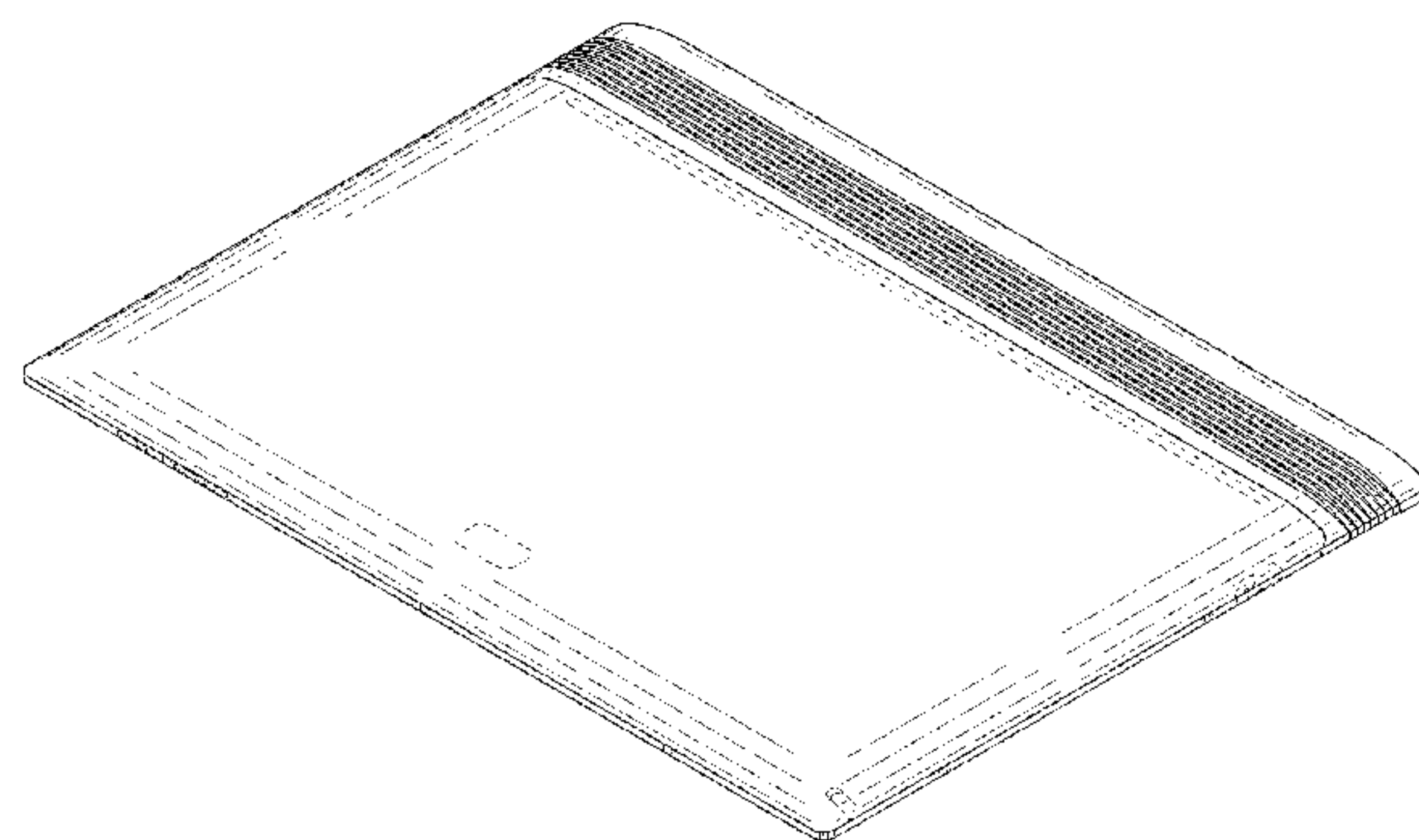


FIG.1

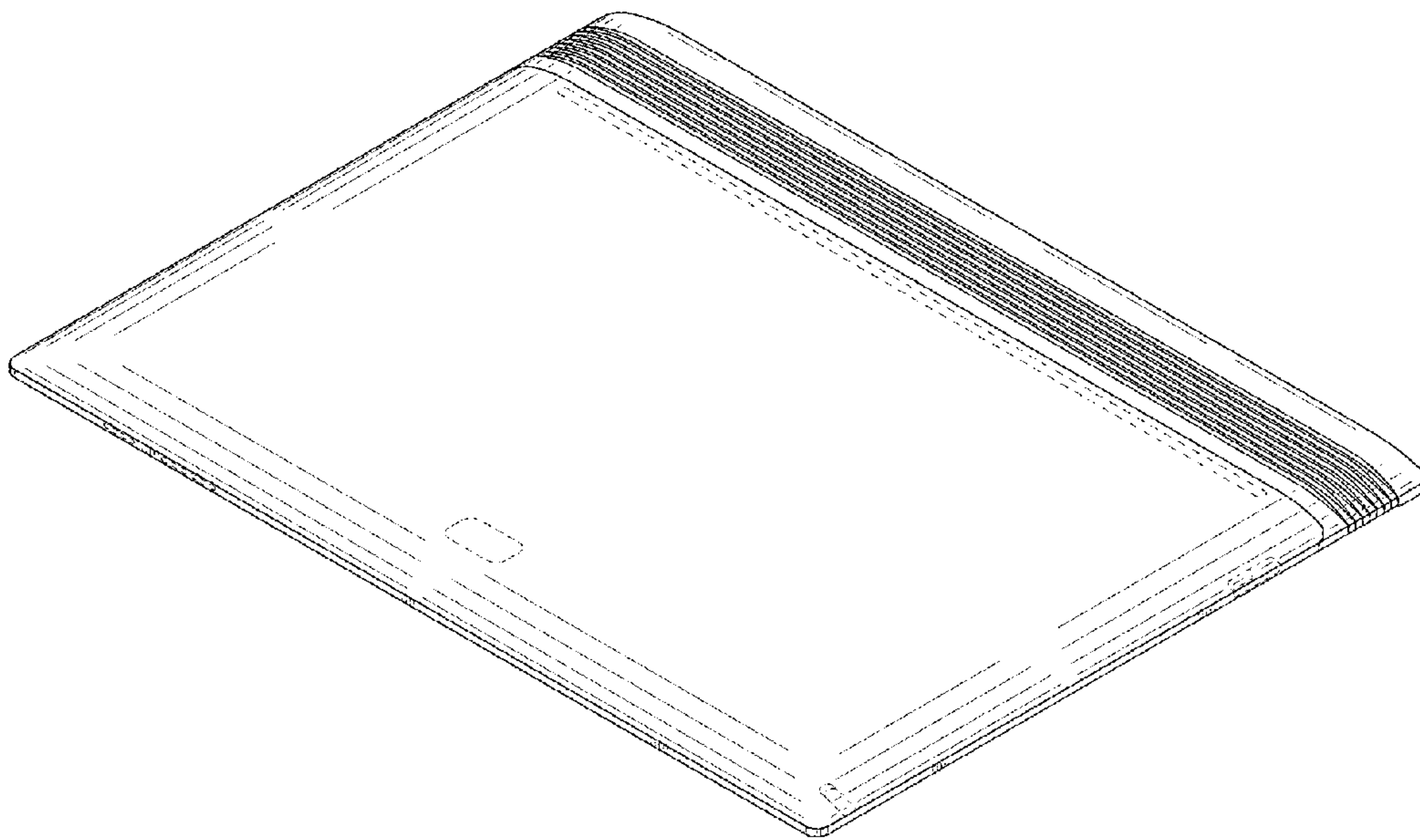


FIG.2

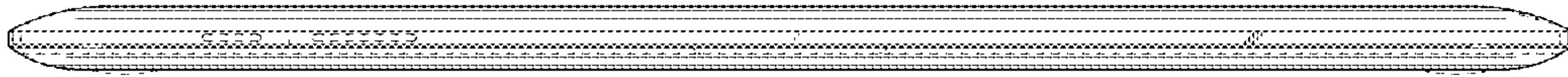


FIG.3



FIG.4

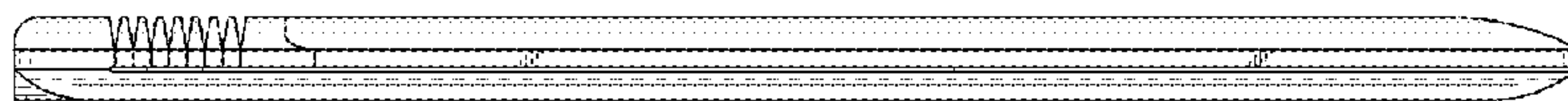


FIG.5



FIG.6

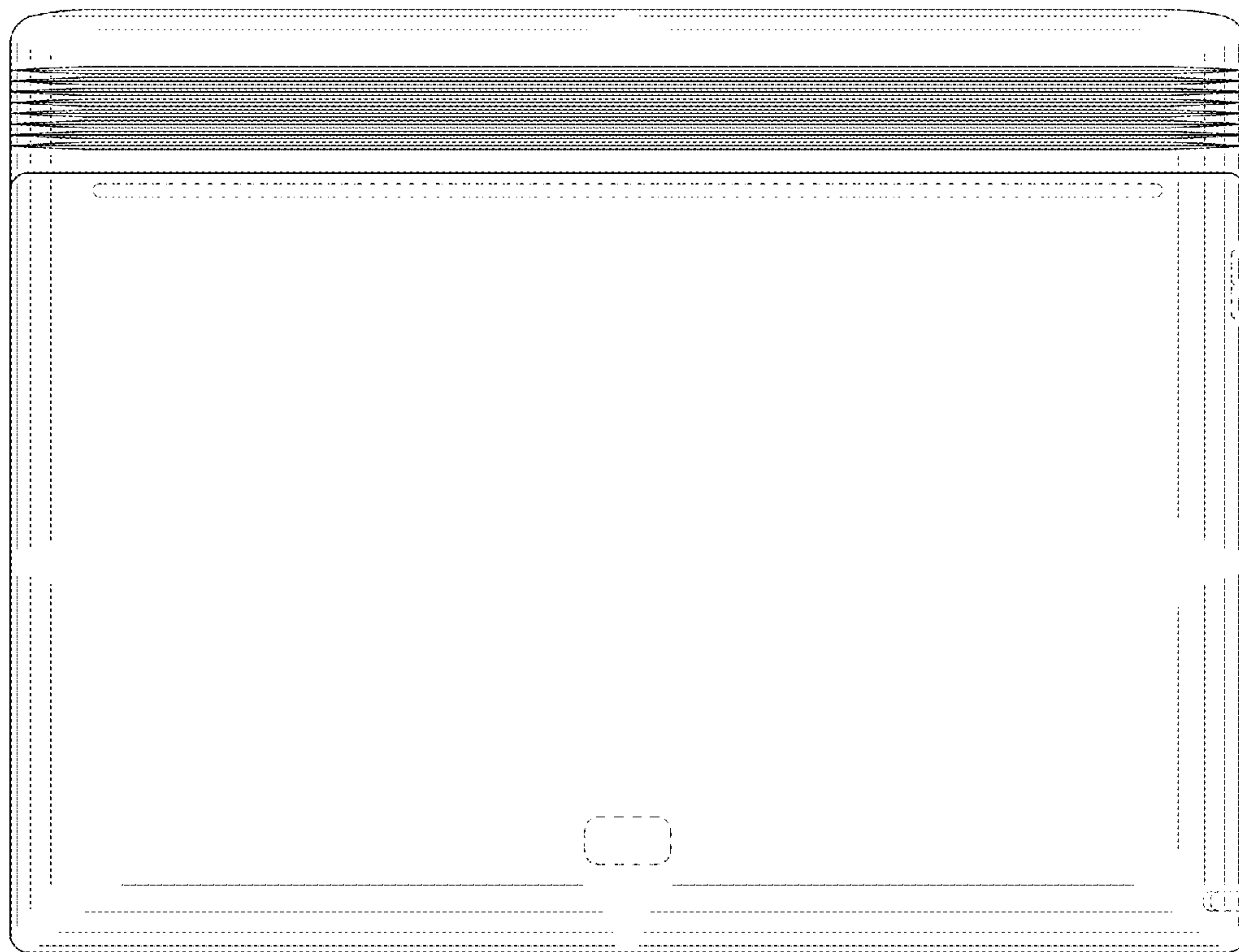


FIG.7

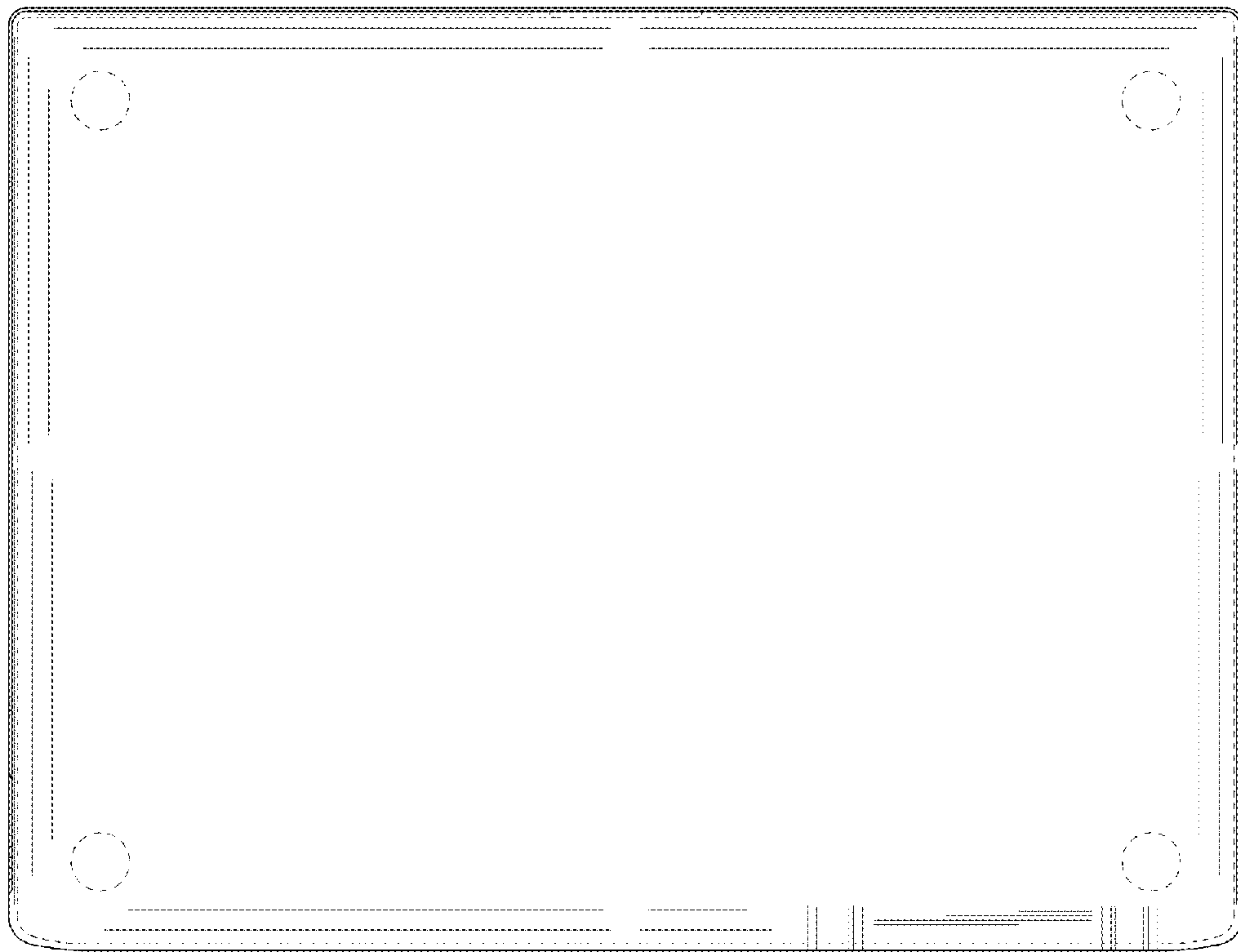


FIG.8

