



US00D724074S

(12) **United States Design Patent**
Lee et al.

(10) **Patent No.:** **US D724,074 S**
(45) **Date of Patent:** **** *Mar. 10, 2015**

(54) **PORTABLE COMPUTER**
(71) Applicant: **Samsung Electronics Co., Ltd.**,
Suwon-Si, Gyeonggi-do (KR)
(72) Inventors: **Son-Young Lee**, Seoul (KR); **Sang-Won Yoon**, Seoul (KR); **Ik-Sang Kim**, Seoul (KR)

5,887,723 A 3/1999 Myles et al.
D416,238 S 11/1999 Irie et al.
6,067,224 A 5/2000 Nobuchi
6,259,597 B1 7/2001 Anzai et al.
D460,759 S 7/2002 West et al.
D463,797 S 10/2002 Andre et al.

(Continued)

FOREIGN PATENT DOCUMENTS

(73) Assignee: **Samsung Electronics Co., Ltd.**,
Suwon-Si (KR)

KR 3005506890000 1/2010
KR 3005544080000 2/2010

(Continued)

(*) Notice: This patent is subject to a terminal disclaimer.

OTHER PUBLICATIONS

(**) Term: **14 Years**

Design U.S. Appl. No. 29/457,870 Inventor: Son-Young Lee, et al.,
filed Jun. 13, 2013 entitled Body of Portable Computer.

(Continued)

(21) Appl. No.: **29/452,594**

(22) Filed: **Apr. 18, 2013**

Primary Examiner — Freda S Nunn

(30) **Foreign Application Priority Data**

(74) *Attorney, Agent, or Firm* — Wood, Herron & Evans, LLP

Nov. 7, 2012 (KR) 30-2012-0053126

(51) **LOC (10) Cl.** **14-02**

(52) **U.S. Cl.**

USPC **D14/315**

(58) **Field of Classification Search**

USPC D14/315-327; D18/1, 2, 7, 11;
235/145 A, 145 R; 341/22, 23; 345/104,
345/156, 168, 169, 173; 361/679.08,
361/679.09, 679.11, 679.26, 679.27

See application file for complete search history.

(56) **References Cited**

U.S. PATENT DOCUMENTS

D270,061 S 8/1983 Ackeret
D284,084 S 6/1986 Ferrara, Jr.
D306,583 S 3/1990 Krolopp et al.
D333,574 S 3/1993 Ackeret
D337,569 S 7/1993 Kando
5,267,123 A 11/1993 Boothroyd et al.

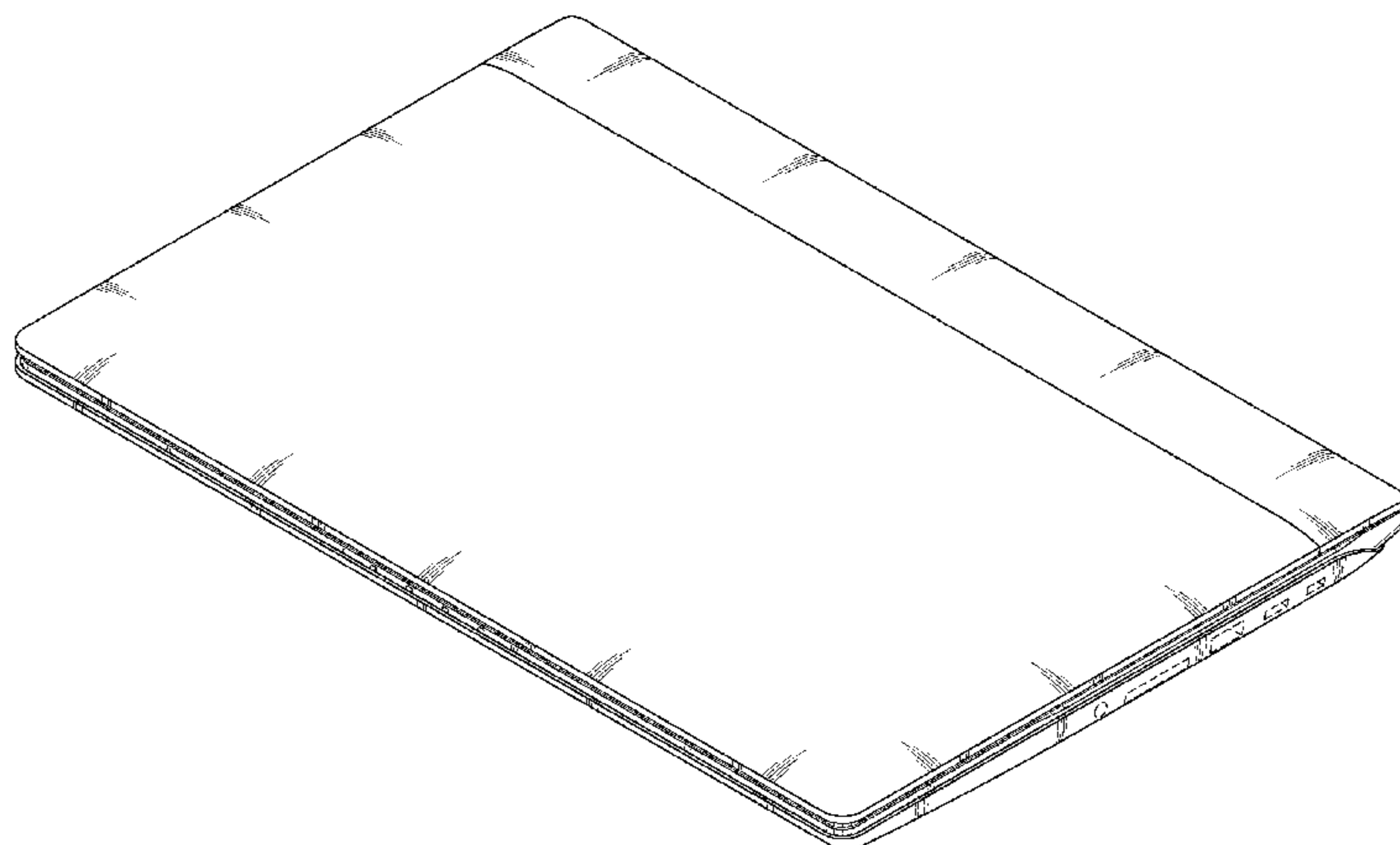
(57) **CLAIM**

The ornamental design for a portable computer, as shown and described.

DESCRIPTION

FIG. 1 is a top front perspective view of a portable computer showing our new design;
FIG. 2 is a front elevational view thereof;
FIG. 3 is a rear elevational view thereof;
FIG. 4 is a left side elevational view thereof;
FIG. 5 is a right side elevational view thereof;
FIG. 6 is a top plan view thereof;
FIG. 7 is a bottom plan view thereof; and,
FIG. 8 is a right side view thereof showing the state of the portable computer when the upper display board is open.
The broken lines depict environmental subject matter only and form no part of the claimed design.

1 Claim, 5 Drawing Sheets



(56)

References Cited

U.S. PATENT DOCUMENTS

- | | | | | | |
|--------------|---------|-----------------|-----------------|---------|------------------------------|
| 6,519,139 B2 | 2/2003 | Kambayashi | D651,598 S | 1/2012 | Kim et al. |
| D490,420 S | 5/2004 | Solomon et al. | D651,599 S | 1/2012 | Kim et al. |
| 6,775,129 B1 | 8/2004 | Ghosh et al. | D651,600 S | 1/2012 | Lee et al. |
| 6,781,819 B2 | 8/2004 | Yang et al. | D652,415 S | 1/2012 | Lee et al. |
| 6,785,128 B1 | 8/2004 | Yun | D652,416 S | 1/2012 | Park et al. |
| D499,704 S | 12/2004 | Song | D652,417 S | 1/2012 | Lee et al. |
| 6,829,140 B2 | 12/2004 | Shimano et al. | D652,831 S | 1/2012 | Lee et al. |
| D500,991 S | 1/2005 | Niitsu | D654,073 S | 2/2012 | Li |
| D504,889 S | 5/2005 | Andre et al. | D654,468 S | 2/2012 | Duan et al. |
| D517,545 S | 3/2006 | Buckel et al. | D654,498 S | 2/2012 | Hwang et al. |
| D532,791 S | 11/2006 | Kim | D654,893 S | 2/2012 | Jung |
| D540,790 S | 4/2007 | Kim et al. | D657,785 S | 4/2012 | Lee et al. |
| D558,460 S | 1/2008 | Yu et al. | D658,173 S | 4/2012 | Kim |
| D563,804 S | 3/2008 | Kimura et al. | D659,692 S | 5/2012 | Jung et al. |
| D564,511 S | 3/2008 | Akhtar | D661,294 S | 6/2012 | Park et al. |
| D579,930 S | 11/2008 | Maskatia | D661,295 S | 6/2012 | Park et al. |
| D584,738 S | 1/2009 | Kim et al. | D661,298 S | 6/2012 | Park et al. |
| D587,710 S | 3/2009 | Han | D661,299 S | 6/2012 | Kim et al. |
| D588,126 S | 3/2009 | Chiang et al. | D661,300 S | 6/2012 | Kim et al. |
| D589,511 S | 3/2009 | Han | D661,301 S | 6/2012 | Kim et al. |
| D589,958 S | 4/2009 | Han | D661,302 S | 6/2012 | Fukasawa et al. |
| D590,374 S | 4/2009 | Madonna et al. | D663,281 S | 7/2012 | Hwang |
| D592,212 S | 5/2009 | Hamada et al. | D663,298 S | 7/2012 | Song et al. |
| D592,214 S | 5/2009 | Bradford | D664,532 S | 7/2012 | Lee |
| 7,542,284 B1 | 6/2009 | Wilson, Sr. | D664,533 S | 7/2012 | Lee et al. |
| D601,138 S | 9/2009 | Solomon et al. | D664,534 S | 7/2012 | Lee et al. |
| D602,014 S | 10/2009 | Andre et al. | D664,535 S | 7/2012 | Lee et al. |
| D602,487 S | 10/2009 | Maskatia | D664,540 S | 7/2012 | Kim et al. |
| D604,291 S | 11/2009 | Andre et al. | D664,954 S | 8/2012 | Kim et al. |
| D605,626 S | 12/2009 | Park | D664,955 S | 8/2012 | Kim et al. |
| D606,539 S | 12/2009 | Liao et al. | D666,198 S | 8/2012 | Van Den Nieuwenhuizen et al. |
| D606,961 S | 12/2009 | Aarras | D667,396 S | 9/2012 | Koh |
| D610,582 S | 2/2010 | Sugitani et al. | D667,397 S | 9/2012 | Koh |
| D611,364 S | 3/2010 | Lenz et al. | D667,398 S | 9/2012 | Koh |
| D613,510 S | 4/2010 | Tzeng et al. | D667,399 S | 9/2012 | Koh |
| D613,951 S | 4/2010 | Tang et al. | D667,825 S | 9/2012 | Jung |
| D613,961 S | 4/2010 | Lin | D668,650 S | 10/2012 | Han |
| D616,440 S | 5/2010 | Lee | D668,651 S | 10/2012 | Kim et al. |
| D616,886 S | 6/2010 | Andre et al. | D669,070 S | 10/2012 | Hsu et al. |
| D617,793 S | 6/2010 | Chiang et al. | D669,468 S | 10/2012 | Akana et al. |
| D622,270 S | 8/2010 | Andre et al. | D669,469 S | 10/2012 | Kang |
| D624,914 S | 10/2010 | Wang | D670,286 S | 11/2012 | Akana et al. |
| D625,306 S | 10/2010 | Miyawaki | D670,692 S | 11/2012 | Akana et al. |
| D626,124 S | 10/2010 | Chyan et al. | D671,111 S | 11/2012 | Kim et al. |
| D626,437 S | 11/2010 | Lee et al. | D671,514 S | 11/2012 | Kim et al. |
| D627,667 S | 11/2010 | Lenz et al. | D671,536 S | 11/2012 | Fukasawa et al. |
| D628,913 S | 12/2010 | Cheng | D671,538 S | 11/2012 | Kim et al. |
| D629,771 S | 12/2010 | Haspil et al. | D671,539 S | 11/2012 | Kim et al. |
| D629,799 S | 12/2010 | Andre et al. | D672,344 S | 12/2012 | Li |
| D630,636 S | 1/2011 | Jeon et al. | D672,345 S | 12/2012 | Li |
| D631,455 S | 1/2011 | Kim et al. | D672,768 S | 12/2012 | Huang et al. |
| D631,469 S | 1/2011 | Demskie et al. | D673,561 S | 1/2013 | Hyun et al. |
| D633,498 S | 3/2011 | Andre et al. | D673,950 S | 1/2013 | Li et al. |
| D634,318 S | 3/2011 | Buckle et al. | D674,384 S | 1/2013 | Zhang |
| D634,745 S | 3/2011 | Park et al. | D675,203 S | 1/2013 | Yang |
| 7,916,889 B2 | 3/2011 | Takakusaki | D676,538 S | 2/2013 | Fehring |
| D636,391 S | 4/2011 | Shen et al. | D677,181 S | 3/2013 | Lenz et al. |
| D636,769 S | 4/2011 | Wood et al. | D677,255 S | 3/2013 | McManigal et al. |
| D636,770 S | 4/2011 | Li | D677,660 S | 3/2013 | Groene et al. |
| D638,392 S | 5/2011 | Price et al. | D678,271 S | 3/2013 | Chiu |
| D638,412 S | 5/2011 | Lee | D680,533 S | 4/2013 | Song et al. |
| D639,226 S | 6/2011 | Juergens et al. | D682,264 S | 5/2013 | Kim et al. |
| D639,804 S | 6/2011 | Hwang et al. | D682,821 S | 5/2013 | Kim et al. |
| D639,805 S | 6/2011 | Song et al. | D682,822 S | 5/2013 | Kim et al. |
| D639,806 S | 6/2011 | Lee et al. | D682,823 S | 5/2013 | Park et al. |
| D640,220 S | 6/2011 | Shyu et al. | D682,824 S | 5/2013 | Kim et al. |
| D640,255 S | 6/2011 | Lee et al. | D682,825 S | 5/2013 | Kim et al. |
| D641,018 S | 7/2011 | Lee et al. | D682,826 S | 5/2013 | Kim et al. |
| 7,986,983 B2 | 7/2011 | Harmon et al. | D682,827 S | 5/2013 | Park et al. |
| D645,465 S | 9/2011 | Lin et al. | D682,828 S | 5/2013 | Kim et al. |
| D645,833 S | 9/2011 | Seflic et al. | D686,202 S | 7/2013 | Lee et al. |
| D646,902 S | 10/2011 | Woo et al. | D686,203 S | 7/2013 | Lee et al. |
| D650,381 S | 12/2011 | Park et al. | 2003/0048595 A1 | 3/2003 | Hsieh et al. |
| D651,206 S | 12/2011 | Kim et al. | 2003/0151888 A1 | 8/2003 | Chien et al. |
| D651,597 S | 1/2012 | Lee et al. | 2005/0018396 A1 | 1/2005 | Nakajima et al. |
| | | | 2005/0041378 A1 | 2/2005 | Hamada et al. |
| | | | 2009/0231292 A1 | 9/2009 | Hsieh et al. |

(56)

References Cited

U.S. PATENT DOCUMENTS

2011/0074740 A1 3/2011 Liu
 2011/0294555 A1 12/2011 Happonen et al.
 2012/0092195 A1 4/2012 Lin

FOREIGN PATENT DOCUMENTS

KR	3005639120000	6/2010
KR	3005639130000	6/2010
KR	3005680110000	7/2010
KR	3005804720000	11/2010
KR	3005869900000	1/2011
KR	3005942330000	3/2011
KR	3005958550000	4/2011
KR	3005985190000	5/2011
KR	3005994750000	5/2011
KR	3006004150000	5/2011
KR	3006004300000	5/2011
KR	3006013110001	6/2011
KR	3006013130000	6/2011
KR	3006013160000	6/2011
KR	3006013170000	6/2011
KR	3006046440000	7/2011
KR	3006052790000	7/2011
KR	3006052810000	7/2011
KR	3006052820000	7/2011
KR	3006052830000	7/2011
KR	3006059710000	7/2011
KR	3006063210000	7/2011
KR	3006064090000	7/2011
KR	3006083610000	8/2011
KR	3006083630000	8/2011
KR	3006083640000	8/2011
KR	3006083650000	8/2011
KR	3006083710000	8/2011
KR	3006083730000	8/2011
KR	3006085180000	8/2011

OTHER PUBLICATIONS

Design U.S. Appl. No. 29/457,871 Inventor: Son-Young Lee, et al., filed Jun. 13, 2013 entitled Display for a Portable Computer.
 Design U.S. Appl. No. 29/457,873 Inventor: Son-Young Lee, et al., filed Jun. 13, 2013 entitled Portable Computer.
 Design U.S. Appl. No. 29/457,874 Inventor: Won-Suk Chung, et al., filed Jun. 13, 2013 entitled Body of Portable Computer.
 Design U.S. Appl. No. 29/457,875 Inventor: Son-Young Lee, et al., filed Jun. 13, 2013 entitled Display for a Portable Computer.
 Design U.S. Appl. No. 29/458,186 Inventor: Ji-Eun Myung, et al., filed Jun. 28, 2013 entitled Portable Computer.
 Design U.S. Appl. No. 29/458,191 Inventor: Ji-Eun Myung, et al., filed Jun. 28, 2013 entitled Portable Computer.
 Design U.S. Appl. No. 29/458,200 Inventor: Ji-Eun Myung, et al., filed Jun. 28, 2013 entitled Body of Portable Computer.
 Design U.S. Appl. No. 29/458,204 Inventor: Ji-Eun Myung, et al., filed Jun. 28, 2013 entitled Portable Computer.
 Design U.S. Appl. No. 29/458,206 Inventor: Ji-Eun Myung, et al., filed Jun. 28, 2013 entitled Body of Portable Computer.
 Design U.S. Appl. No. 29/458,207 Inventor: Ji-Eun Myung, et al., filed Jun. 28, 2013 entitled Display for a Portable Computer.
 Design U.S. Appl. No. 29/458,277 Inventor: Ji-Eun Myung, et al., filed Jun. 28, 2013 entitled Display for a Portable Computer.
 Design U.S. Appl. No. 29/458,285 Inventor: Ji-Eun Myung, et al., filed Jun. 28, 2013 entitled Display for a Portable Computer.
 Design U.S. Appl. No. 29/458,289 Inventor: Ji-Eun Myung, et al., filed Jun. 28, 2013 entitled Body of Portable Computer.
 Design U.S. Appl. No. 29/458,290 Inventor: Ji-Eun Myung, et al., filed Jun. 28, 2013 entitled Display for a Portable Computer.
 Design U.S. Appl. No. 29/452,596 Inventor: Son-Young Lee, et al., filed Apr. 18, 2013 entitled Portable Computer.
 Design U.S. Appl. No. 29/405,537 Applicant: Ik-Sang Kim, et al., filed Nov. 3, 2011 entitled Tablet Computer.

Design U.S. Appl. No. 29/407,975 Applicant: Bum-Ho Chun, et al., filed Dec. 6, 2011 entitled Tablet Computer.
 Design U.S. Appl. No. 29/407,982 Applicant: EunuaeShally Lee, et al., filed Dec. 6, 2011 entitled Tablet Computer.
 Design U.S. Appl. No. 29/407,984 Applicant: So-Yoon Jeon, et al., filed Dec. 6, 2011 entitled Tablet Computer.
 Design U.S. Appl. No. 29/408,017 Applicant: Jae-Seung Song, et al., filed Dec. 6, 2011 entitled Tablet Computer.
 Design U.S. Appl. No. 29/416,029 Applicant: Min-Jung Kim, et al., filed Mar. 16, 2012 entitled Tablet Computer.
 Design U.S. Appl. No. 29/416,032 Applicant: Min-Jung Kim, et al., filed Mar. 16, 2012 entitled Tablet Computer.
 Design U.S. Appl. No. 29/418,670 Applicant: Byeong-Yong Song, et al., filed Apr. 19, 2012 entitled Tablet Computer.
 Design U.S. Appl. No. 29/419,893 Applicant: Ik-Sang Kim, et al., filed May 2, 2012 entitled Slate Computer.
 Design U.S. Appl. No. 29/419,907 Applicant: Ik-Sang Kim, et al., filed May 2, 2012 entitled Slate Computer.
 Design U.S. Appl. No. 29/419,911 Applicant: Min-Jung Kim, et al., filed May 2, 2012 entitled Tablet Computer.
 Design U.S. Appl. No. 29/420,669 Applicant: Woo-Teik Lim, et al., filed May 11, 2012 entitled Tablet Computer.
 Design U.S. Appl. No. 29/422,581 Applicant: Jung-Hyun Park, et al., filed May 22, 2012 entitled Notebook Computer.
 Design U.S. Appl. No. 29/422,594 Applicant: Jung-Hyun Park, et al., filed May 22, 2012 entitled Notebook Computer.
 Design U.S. Appl. No. 29/422,779 Applicant: Tae-Yun Kim, et al., filed May 23, 2012 entitled Notebook Computer.
 Design U.S. Appl. No. 29/424,453 Applicant: Se-O Lee, et al., filed Jun. 12, 2012 entitled Notebook Computer.
 Design U.S. Appl. No. 29/424,462 Applicant: Sang-Eun Lee, et al., filed Jun. 12, 2012 entitled Netbook Computer.
 Design U.S. Appl. No. 29/425,225 Applicant: Seung-Ho Jung, et al., filed Jun. 20, 2012 entitled Portable Computer.
 Design U.S. Appl. No. 29/425,732 Applicant: Ji-Sang Park, et al., filed Jun. 26, 2012 entitled Portable Computer.
 Design U.S. Appl. No. 29/425,977 Applicant: Ji-Sang Park, et al., filed Jun. 28, 2012 entitled Tablet Computer.
 Design U.S. Appl. No. 29/425,978 Applicant: Woo-Teik Lim, et al., filed Jun. 28, 2012 entitled Tablet Computer.
 Design U.S. Appl. No. 29/427,736 Applicant: Min-Jung Kim, et al., filed Jul. 21, 2012 entitled Tablet Computer.
 Design U.S. Appl. No. 29/431,774 Applicant: Sang-Eun Lee, et al., filed Sep. 11, 2012 entitled Tablet Computer.
 Design U.S. Appl. No. 29/435,870 Inventor: Son-Young Lee, et al., filed Oct. 30, 2012 entitled Portable Computer.
 Design U.S. Appl. No. 29/435,889 Inventor: Dong-Seok Lee, et al., filed Oct. 30, 2012 entitled Portable Computer.
 Design U.S. Appl. No. 29/438,934 Inventor: Ik-Sang Kim, et al., filed Dec. 5, 2012 entitled Slate Computer.
 Design U.S. Appl. No. 29/438,948 Inventor: Chung-Ha Kim, et al., filed Dec. 5, 2012 entitled Portable Computer.
 Design U.S. Appl. No. 29/438,951 Inventor: Chung-Ha Kim, et al., filed Dec. 5, 2012 entitled Portable Computer.
 Design U.S. Appl. No. 29/441,093 Inventor: Chang-Ho Lee, et al., filed Dec. 31, 2012 entitled Portable Computer.
 Design U.S. Appl. No. 29/441,101 Inventor: Chang-Ho Lee, et al., filed Dec. 31, 2012 entitled Portable Computer.
 Design U.S. Appl. No. 29/441,112 Inventor: Chang-Ho Lee, et al., filed Dec. 31, 2012 entitled Portable Computer.
 Design U.S. Appl. No. 29/441,114 Inventor: Chang-Ho Lee, et al., filed Dec. 31, 2012 entitled Portable Computer.
 Design U.S. Appl. No. 29/441,179 Inventor: Chang-Ho Lee, et al., filed Jan. 2, 2013 entitled Portable Computer.
 Design U.S. Appl. No. 29/452,297 Inventor: Min-Hee Lee, et al., filed Apr. 15, 2013 entitled Notebook Computer.
 Design U.S. Appl. No. 29/452,583 Inventor: Seung-Ho Jung, et al., filed Apr. 18, 2013 entitled Portable Computer.
 Design U.S. Appl. No. 29/452,586 Inventor: Seung-Ho Jung, et al., filed Apr. 18, 2013 entitled Portable Computer.
 Design U.S. Appl. No. 29/452,588 Inventor: Chung-Ha Kim, et al., filed Apr. 18, 2013 entitled Portable Computer.

(56)

References Cited

OTHER PUBLICATIONS

Design U.S. Appl. No. 29/452,592 Inventor: Son-Young Lee, et al., filed Apr. 18, 2013 entitled Portable Computer.
Design U.S. Appl. No. 29/452,593 Inventor: Woo-Teik Lim, et al., filed Apr. 18, 2013 entitled Slate Computer.
Design U.S. Appl. No. 29/452,587 Inventor: Sung-Jin Yum, et al., filed Apr. 18, 2013 entitled Portable Computer.
Design U.S. Appl. No. 29/452,595 Inventor: Ho-Young Seoc, et al., filed Apr. 18, 2013 entitled Slate Computer.
Design U.S. Appl. No. 29/452,601 Inventor: Ji-Sang Park, et al., filed Apr. 18, 2013 entitled Portable Computer.
Design U.S. Appl. No. 29/456,501 Inventor: Se-Hun Oh, et al., filed May 31, 2013 entitled Portable Computer.

Design U.S. Appl. No. 29/457,839 Inventor: Son-Young Lee, et al., filed Jun. 13, 2013 entitled Portable Computer.
Design U.S. Appl. No. 29/457,846 Inventor: Son-Young Lee, et al., filed Jun. 13, 2013 entitled Body of Portable Computer.
Design U.S. Appl. No. 29/457,848 Inventor: Son-Young Lee, et al., filed Jun. 13, 2013 entitled Portable Computer.
Design U.S. Appl. No. 29/457,852 Inventor: Son-Young Lee, et al., filed Jun. 13, 2013 entitled Body of Portable Computer.
Design U.S. Appl. No. 29/457,859 Inventor: Son-Young Lee, et al., filed Jun. 13, 2013 entitled Portable Computer.
Design U.S. Appl. No. 29/457,864 Inventor: Son-Young Lee, et al., filed Jun. 13, 2013 entitled Portable Computer.
Design U.S. Appl. No. 29/457,867 Inventor: Son-Young Lee, et al., filed Jun. 13, 2013 entitled Portable Computer.

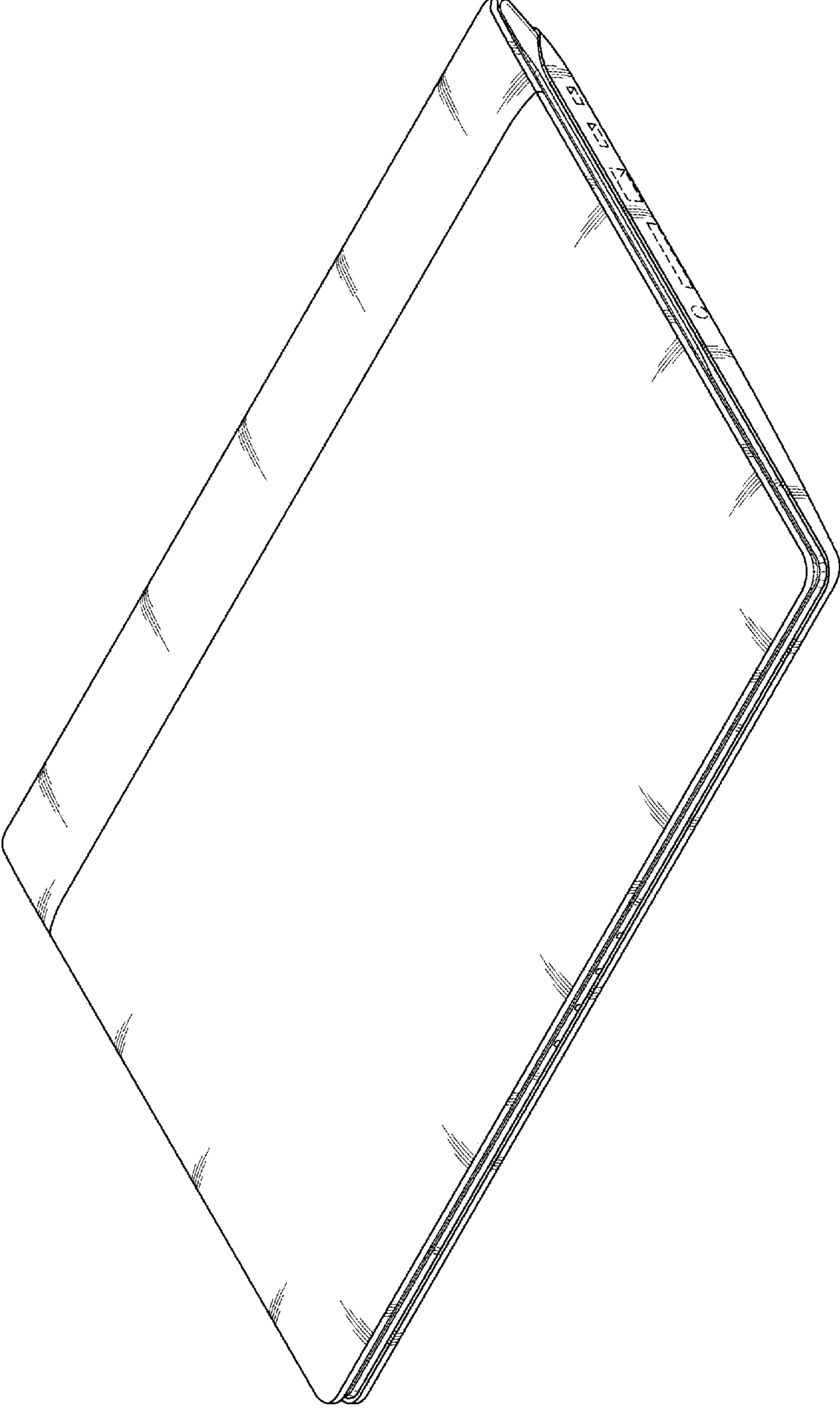


FIG.1

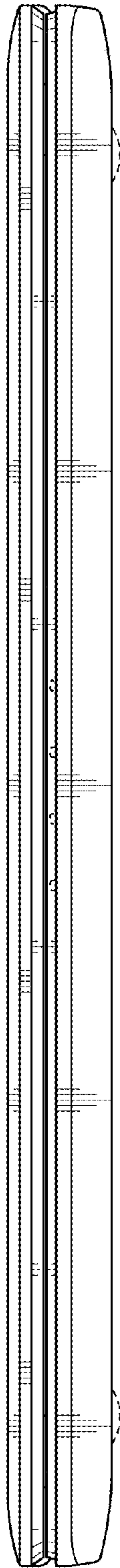


FIG. 2

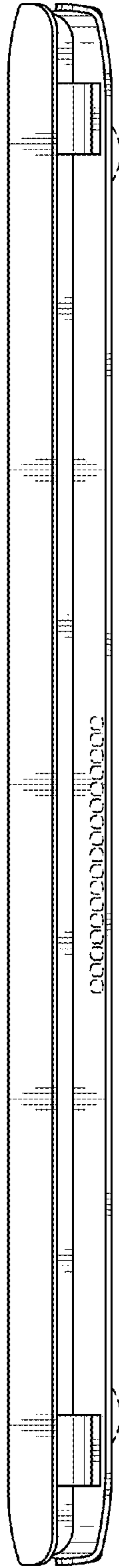


FIG. 3

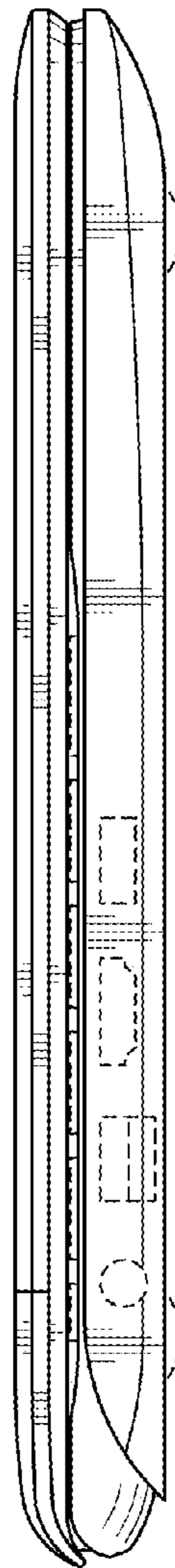


FIG. 4

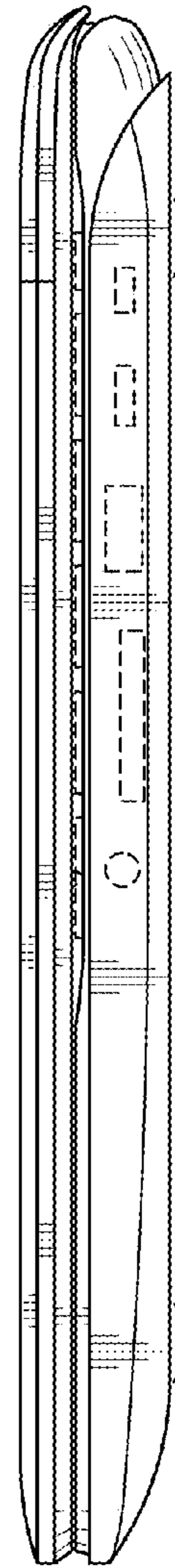


FIG. 5

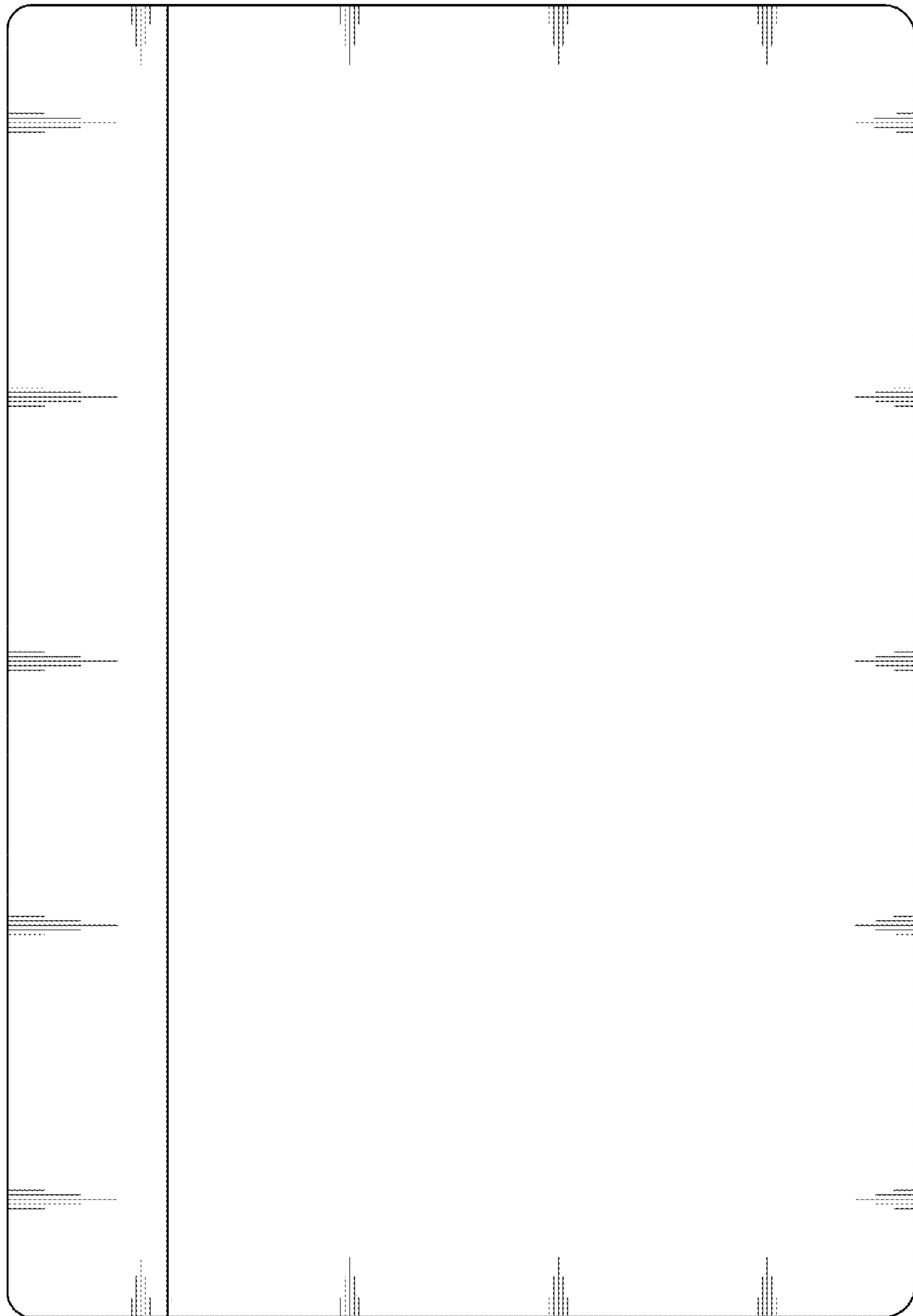


FIG.6

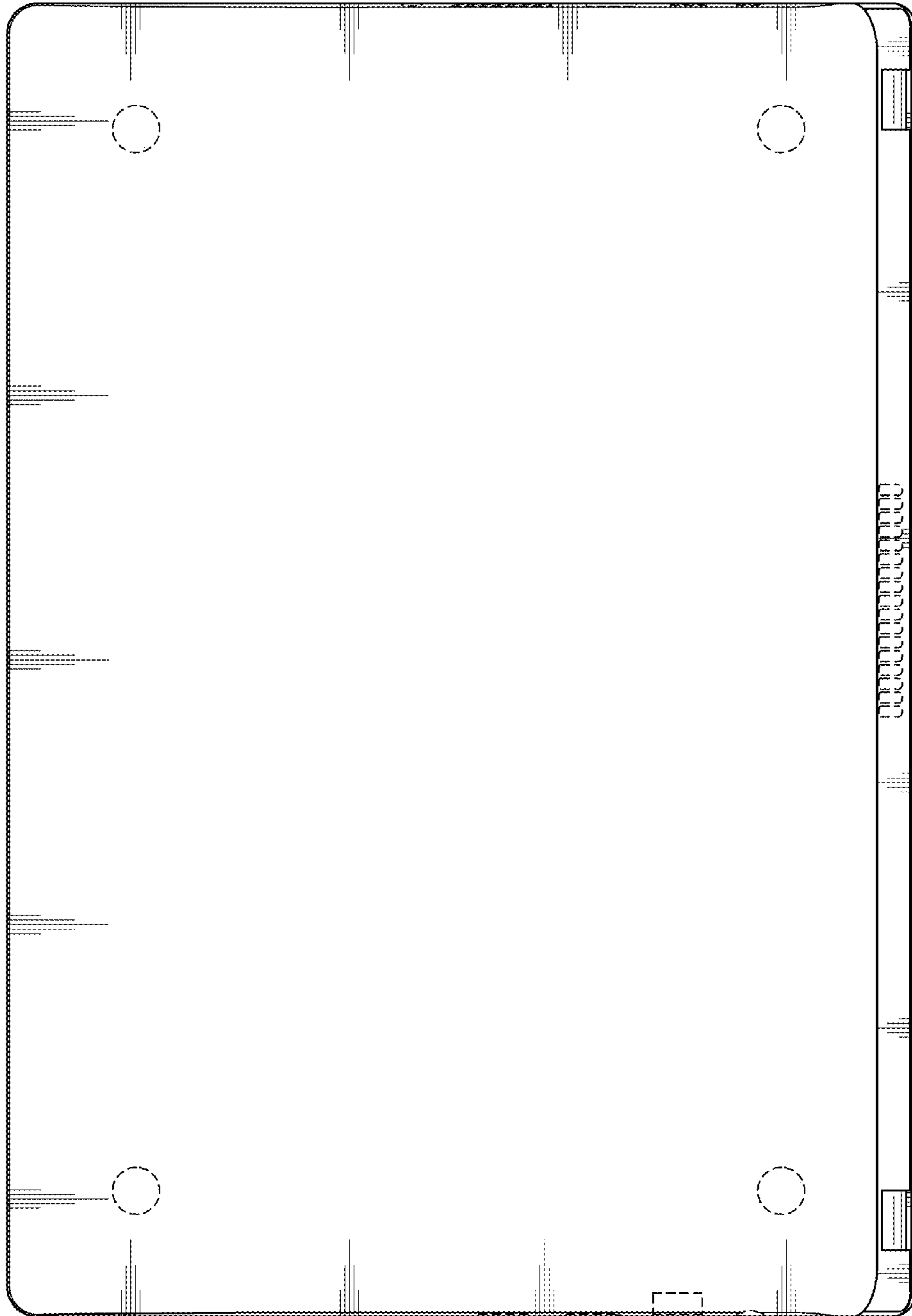


FIG.7

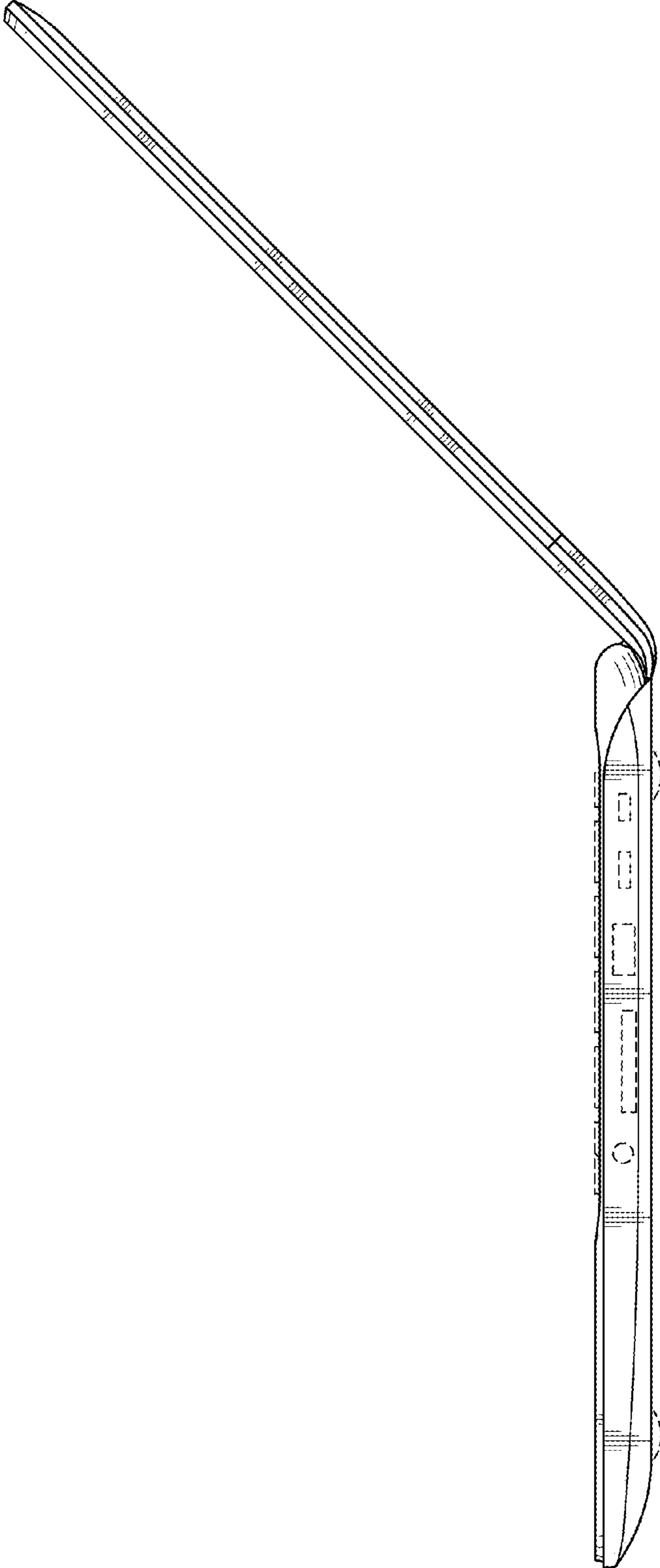


FIG.8