



US00D724073S

(12) **United States Design Patent**
Ismayilov et al.

(10) **Patent No.:** **US D724,073 S**
(45) **Date of Patent:** **** Mar. 10, 2015**

(54) **INTELLIGENT ELECTRONIC DEVICE ENCLOSURE**

(71) Applicant: **ABB Technology AG**, Zurich (CH)

(72) Inventors: **Shamsi Ismayilov**, Conshohocken, PA (US); **Yaser A. Khalifa**, New Paltz, PA (US); **Frantisek Koudelka**, Brno (CZ); **Arkady Oksengorn**, Boca Raton, FL (US); **Siu Lau**, Hampton, NJ (US); **Hardik Patel**, Bethlehem, PA (US); **In Y. Choi**, Plymouth Meeting, PA (US)

(73) Assignee: **ABB Technology AG**, Zürich (CH)

(**) Term: **14 Years**

(21) Appl. No.: **29/465,540**

(22) Filed: **Aug. 29, 2013**

(51) **LOC (10) Cl.** **14-02**

(52) **U.S. Cl.**
USPC **D14/313**

(58) **Field of Classification Search**
USPC D14/240, 300, 308, 313, 348–356,
D14/364–368; D13/123, 162, 184, 199;
312/223.1–223.3, 351.11;
360/99.01–99.12; 369/34.01–36.01;
361/679.31–679.33, 679.37, 679.39,
361/679.46, 679.53, 679.4, 679.41, 727

See application file for complete search history.

(56) **References Cited**

U.S. PATENT DOCUMENTS

D258,360 S *	2/1981	Mourad	D14/313
D263,395 S *	3/1982	Karas et al.	D14/313
D329,641 S *	9/1992	Goff	D14/313
6,088,224 A *	7/2000	Gallagher et al.	361/695
D467,227 S *	12/2002	Lee	D13/123
D675,160 S *	1/2013	Tanaka et al.	D13/123
D683,706 S	6/2013	Kangas		

FOREIGN PATENT DOCUMENTS

EP	2389054	11/2011
WO	2004100633	11/2004
WO	2004100634	11/2004
WO	2004100635	11/2004

* cited by examiner

Primary Examiner — Freda S Nunn

(74) *Attorney, Agent, or Firm* — Manelli Selter PLLC; Edward J. Stemberger

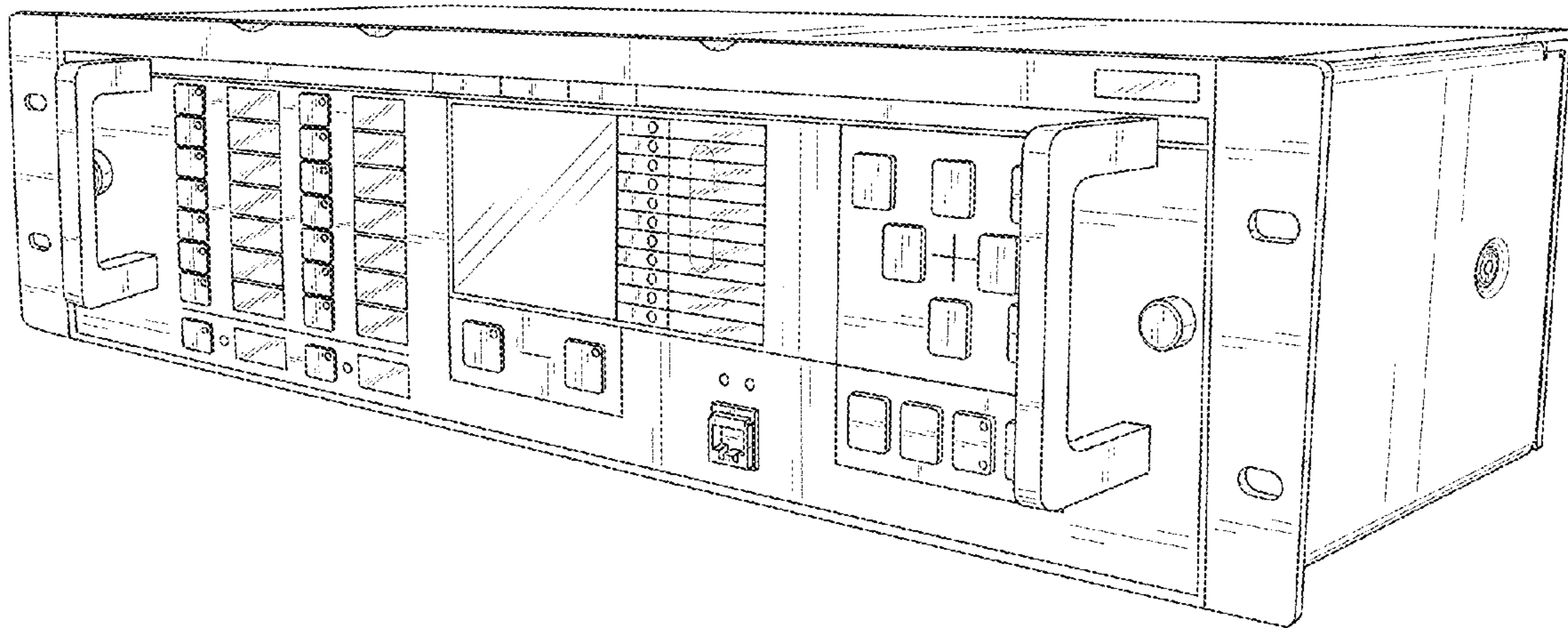
(57) **CLAIM**

The ornamental design for an intelligent electronic device enclosure, as shown.

DESCRIPTION

FIG. 1 is a front perspective view of an intelligent electronic device enclosure in accordance with the invention; FIG. 2 is a front view thereof; FIG. 3 is a rear view thereof; FIG. 4 is a left side view thereof; FIG. 5 is a right side view thereof; FIG. 6 is a top view thereof; and, FIG. 7 is a bottom view thereof.

1 Claim, 7 Drawing Sheets



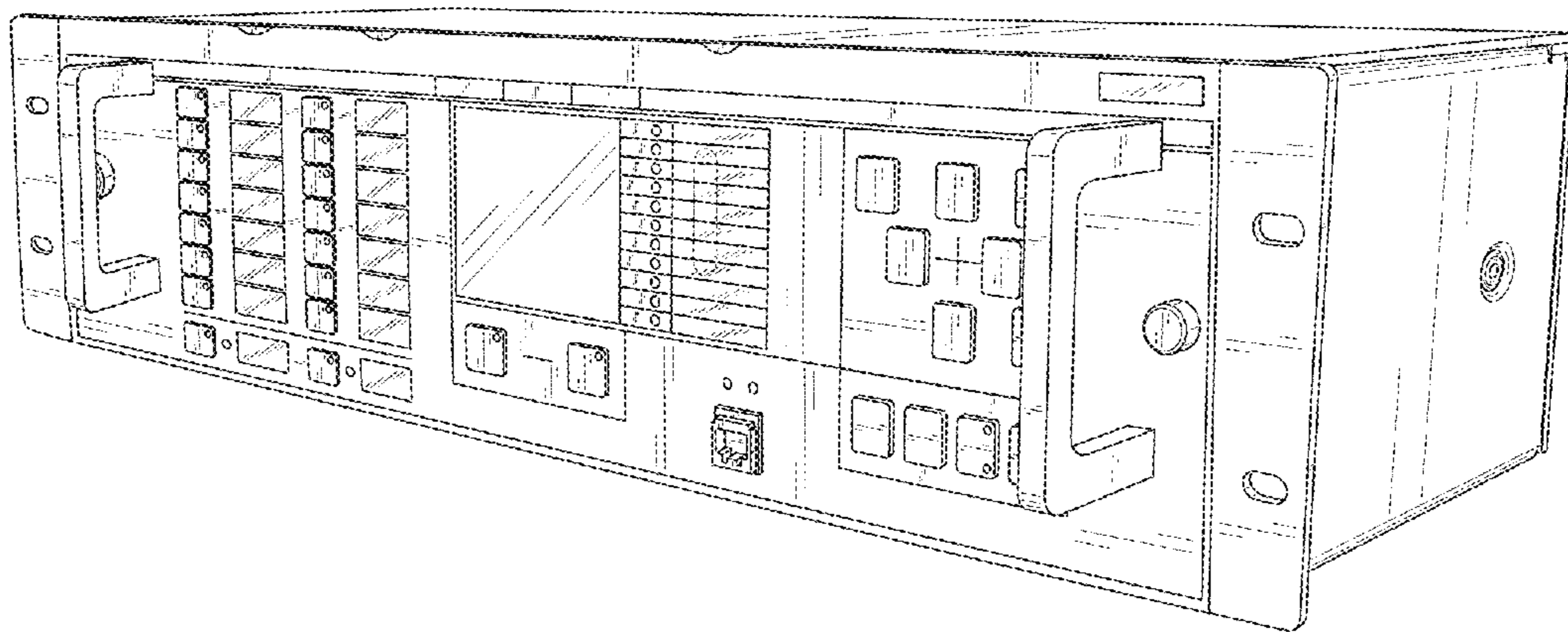


FIG. 1

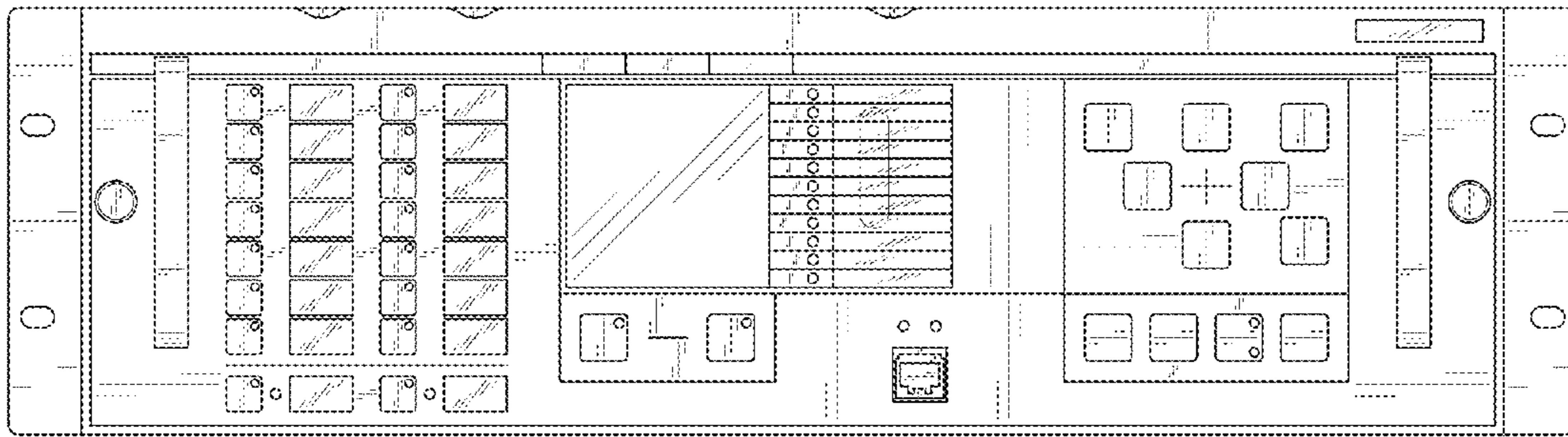


FIG. 2

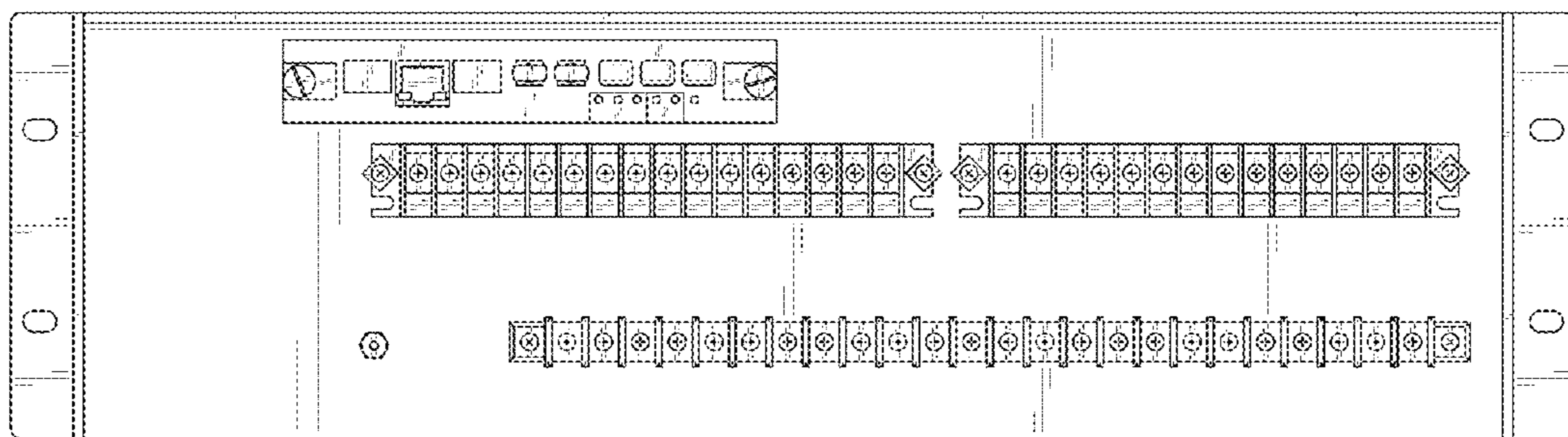


FIG. 3

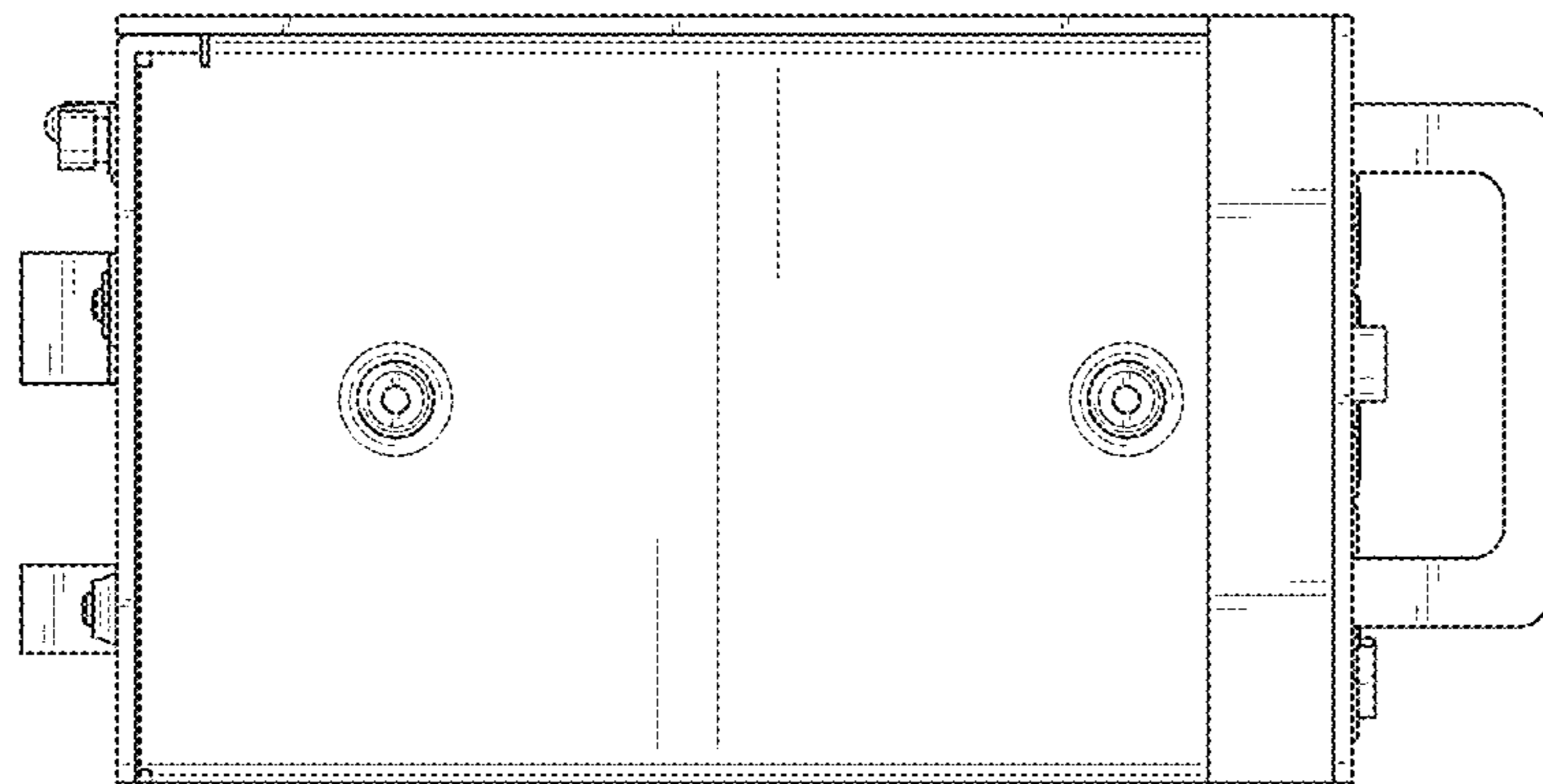


FIG. 4

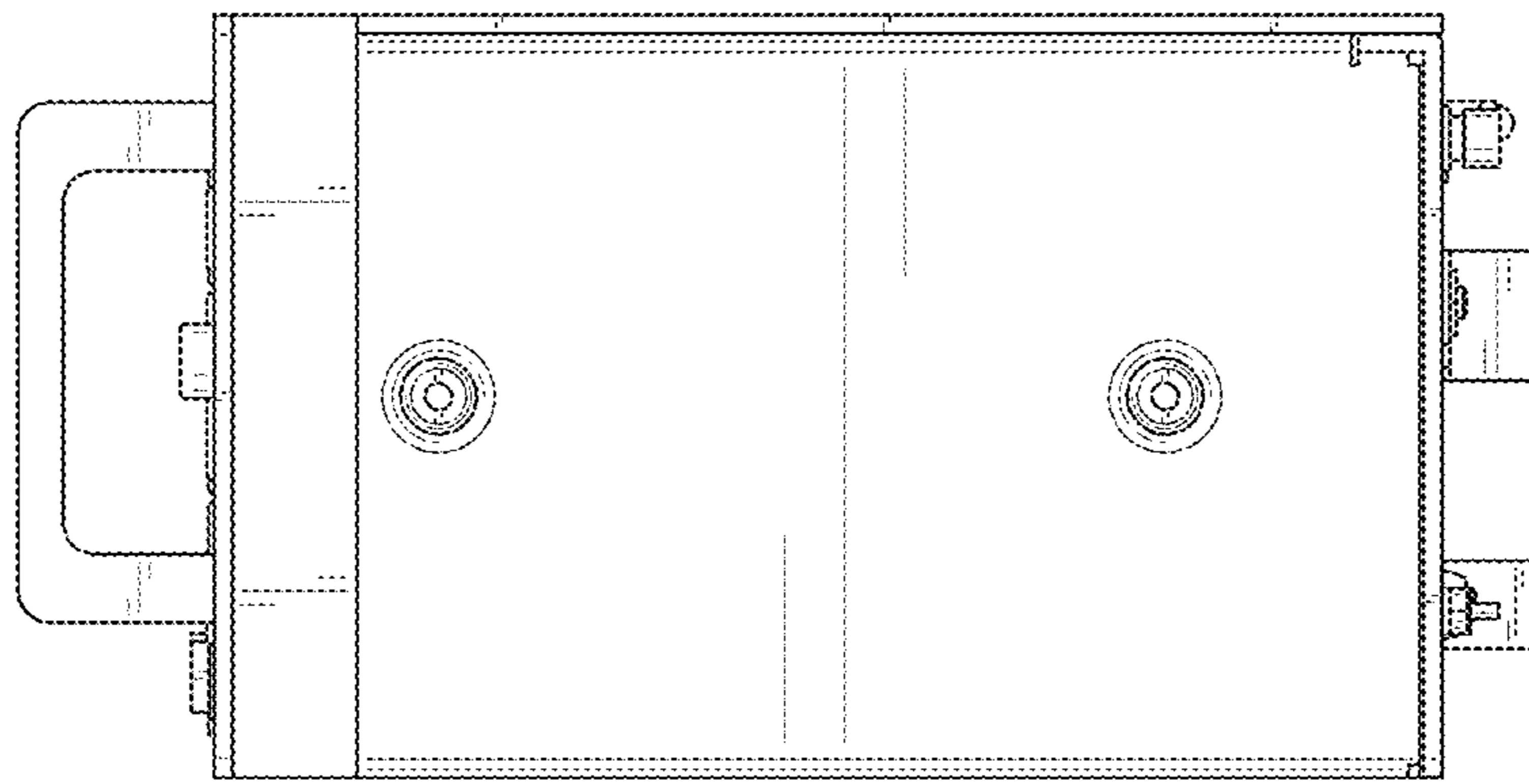


FIG. 5

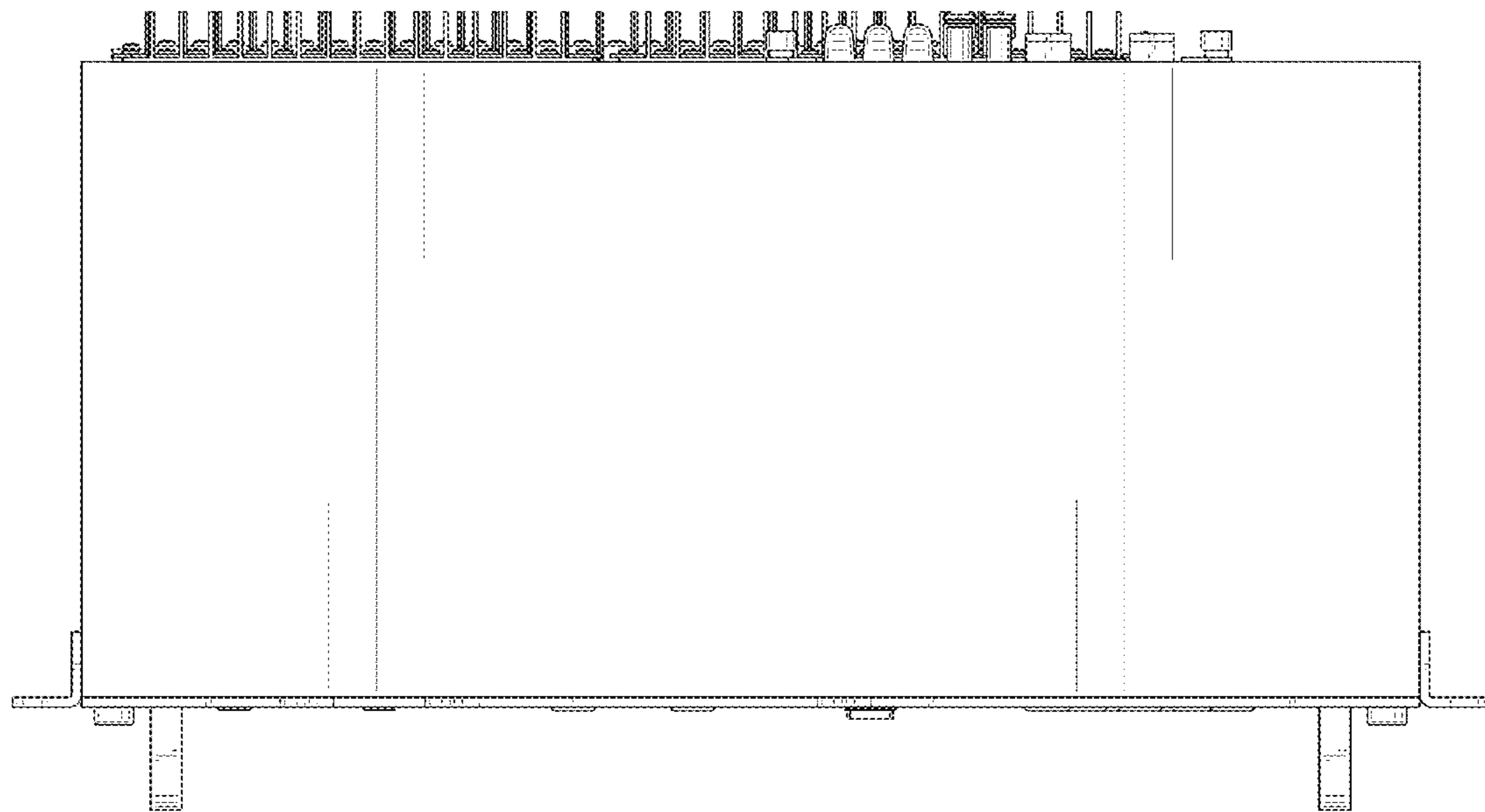


FIG. 6

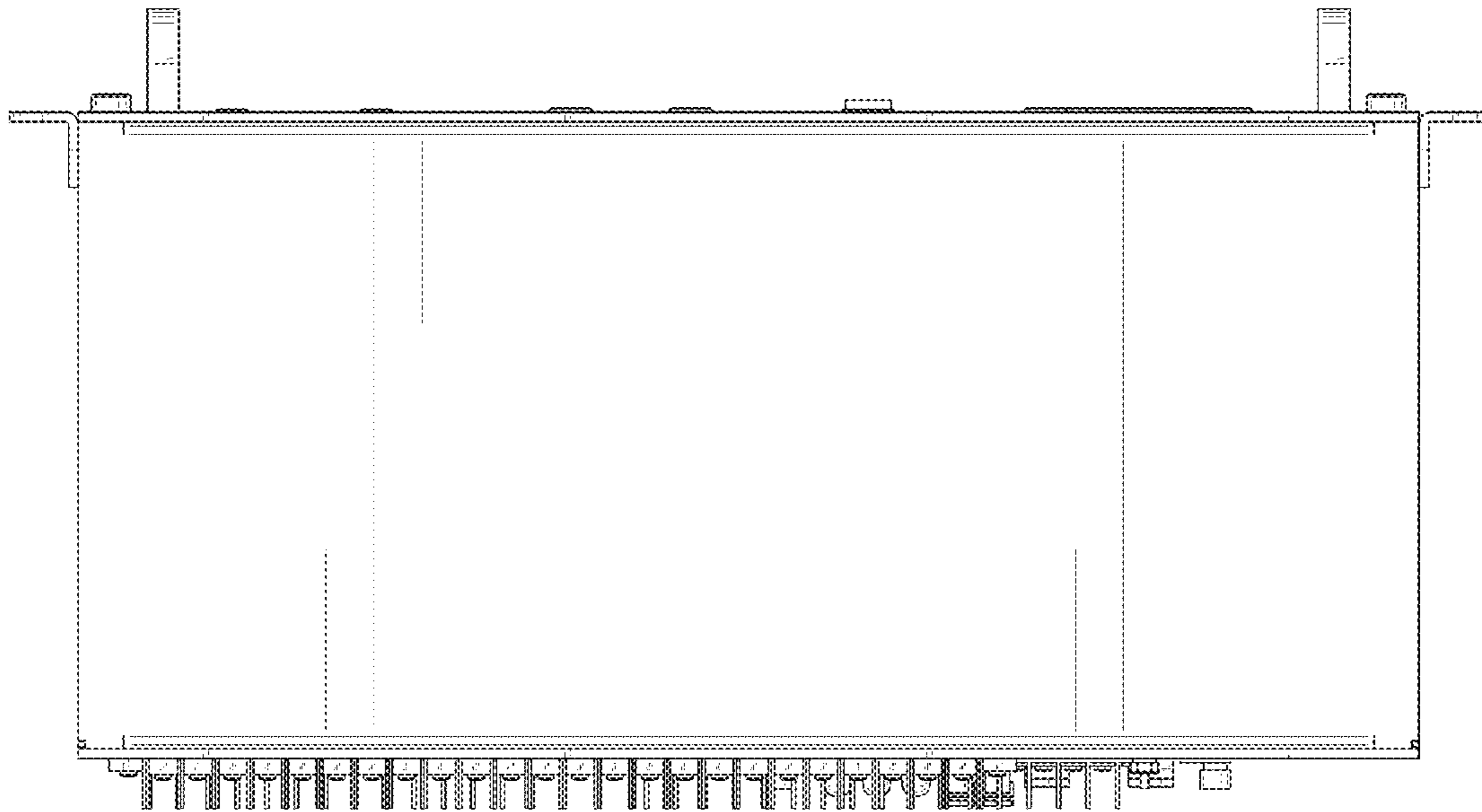


FIG. 7