



US00D724072S

(12) **United States Design Patent**  
**Jiang et al.**

(10) **Patent No.:** **US D724,072 S**  
(45) **Date of Patent:** **\*\* Mar. 10, 2015**

(54) **MULTI-MEDIA DEVICE STAND**  
(71) Applicants: **Wayne Jiang**, Happy Valley, OR (US);  
**Brian Jiang**, Happy Valley, OR (US)  
(72) Inventors: **Wayne Jiang**, Happy Valley, OR (US);  
**Brian Jiang**, Happy Valley, OR (US)  
(\*\*) Term: **14 Years**  
(21) Appl. No.: **29/466,906**  
(22) Filed: **Sep. 12, 2013**  
(51) **LOC (10) Cl.** ..... **14-03**  
(52) **U.S. Cl.**  
USPC ..... **D14/253**; D14/447  
(58) **Field of Classification Search**  
CPC ... G06F 1/1605; G06F 1/1607; G06F 1/1613;  
A45F 2200/0525; A45F 2200/0516; F16M  
13/005  
USPC ..... D6/310, 407, 672, 681, 683; D8/300,  
D8/306, 307, 325, 336, 355, 382, 394;  
D10/74, 106.92; D13/107, 108;  
D14/126, 130, 140, 140.2, 140.3,  
D14/140.5, 140.6, 140.8, 140.9, 203.1,  
D14/203.4, 203.5, 217, 225, 238, 240, 251,  
D14/253, 302, 375, 447; D16/45, 46, 136,  
D16/240, 244, 245; D17/9, 60, 83, 84, 99;  
D26/60, 61, 62, 63, 93, 106; 224/420,  
224/567  
See application file for complete search history.

(56) **References Cited**  
U.S. PATENT DOCUMENTS  
D393,853 S \* 4/1998 Maas ..... D14/126  
D618,378 S \* 6/2010 Huang ..... D26/93  
D618,692 S \* 6/2010 Deutsch et al. .... D14/447

D623,329 S \* 9/2010 Huang ..... D26/63  
D634,315 S \* 3/2011 Nousiainen ..... D14/253  
D652,045 S \* 1/2012 Hong ..... D14/447  
D671,110 S \* 11/2012 Choi ..... D14/253  
D685,804 S \* 7/2013 Richter ..... D14/447  
D691,149 S \* 10/2013 Breton ..... D14/447  
D707,672 S \* 6/2014 Lai ..... D14/253  
D708,603 S \* 7/2014 Kim ..... D14/253  
D713,398 S \* 9/2014 Alesi et al. .... D14/253  
D713,837 S \* 9/2014 Chul Kim ..... D14/253  
2014/0061270 A1\* 3/2014 Richter ..... 224/420  
2014/0138419 A1\* 5/2014 Minn et al. .... 224/567

**OTHER PUBLICATIONS**

Glass Base Floor Stand, announced [Sep. 25, 2011], [online] searched on [Oct. 6, 2014]. Available at URL<<http://www.brighthub.com/computing/hardware/articles/123917.aspx>>.\*

\* cited by examiner

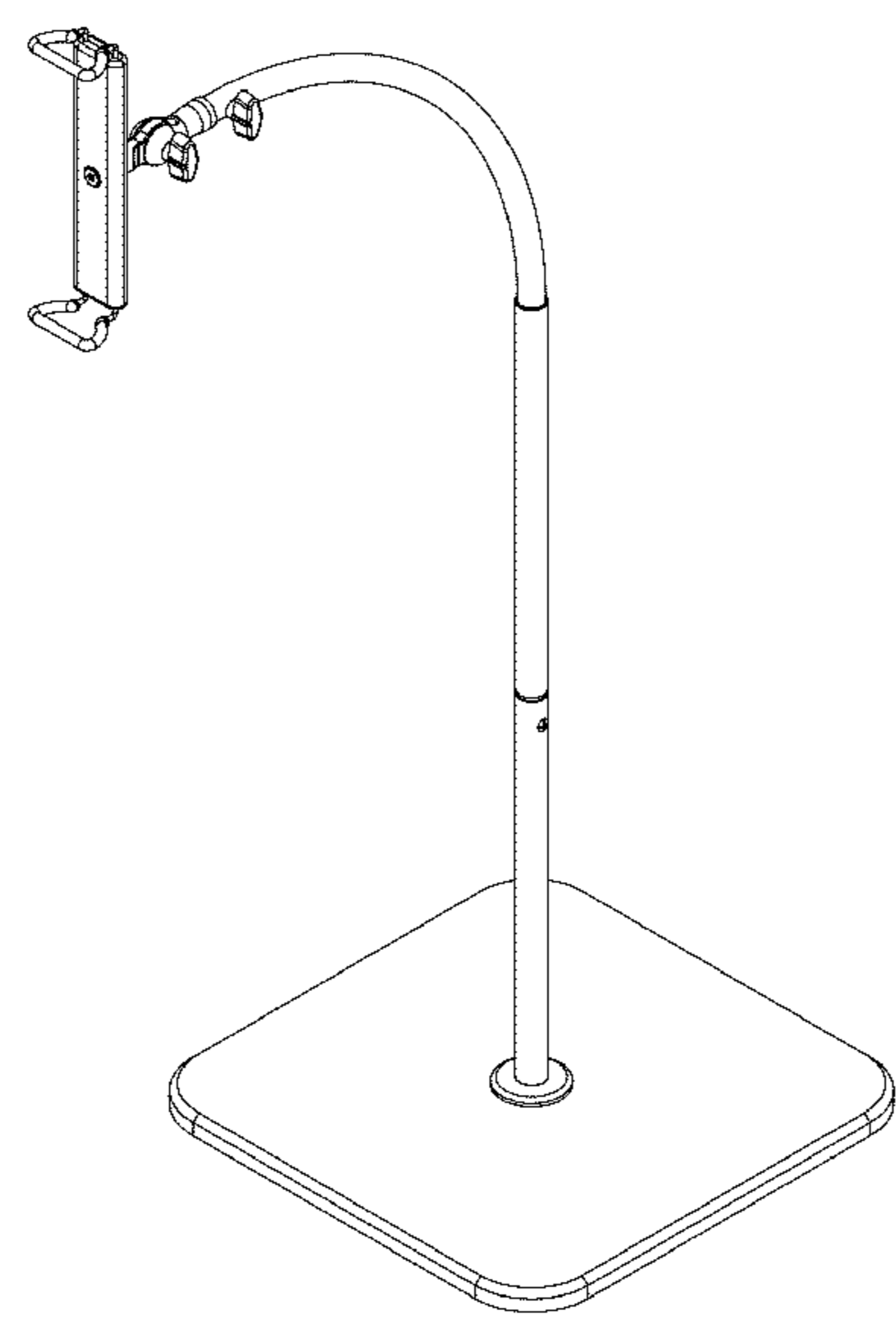
*Primary Examiner* — Cathron Brooks  
*Assistant Examiner* — Catherine Posthauer  
(74) *Attorney, Agent, or Firm* — Mark S. Hubert

(57) **CLAIM**  
We claim the ornamental design for the multi-media device stand, as shown and described.

**DESCRIPTION**

FIG. 1 is a perspective view of the multi-media device stand showing our new design;  
FIG. 2 is a top view of the multi-media device stand;  
FIG. 3 is a bottom view of the multi-media device stand;  
FIG. 4 is a right-side view of the multi-media device stand;  
FIG. 5 is a front view of the multi-media device stand;  
FIG. 6 is a rear view of the multi-media device stand; and,  
FIG. 7 is a left-side view of the multi-media device stand.

**1 Claim, 5 Drawing Sheets**



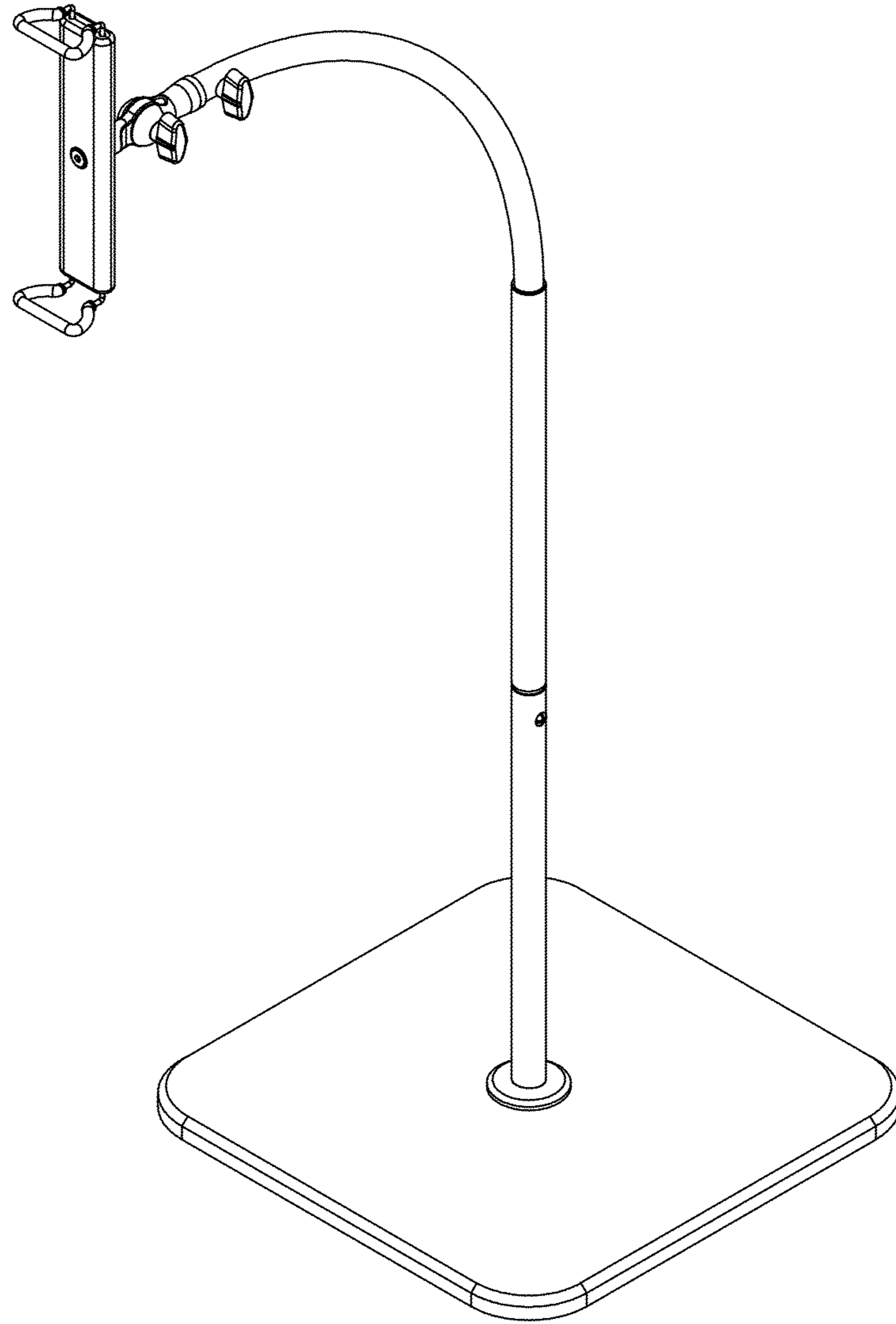


FIG. 1

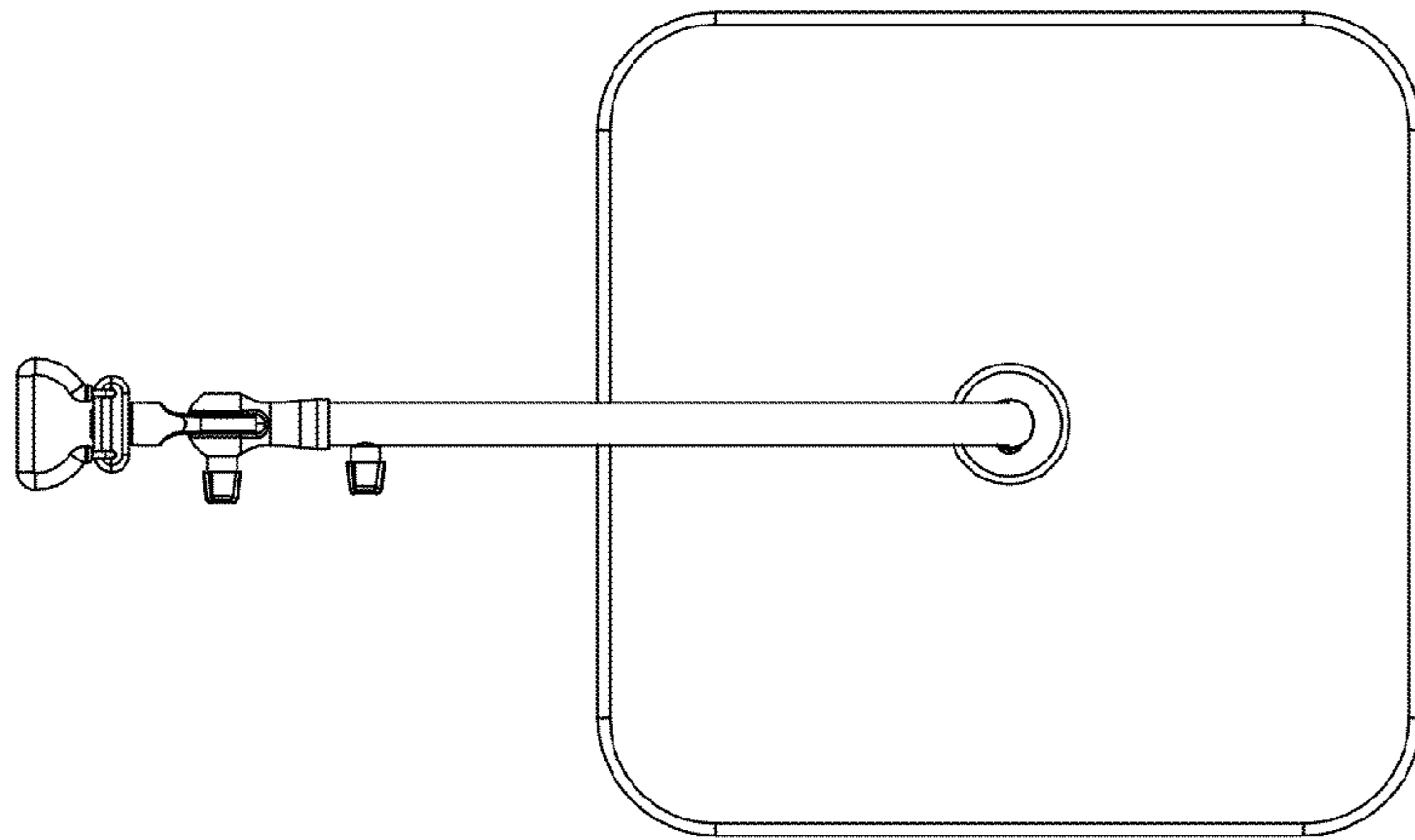
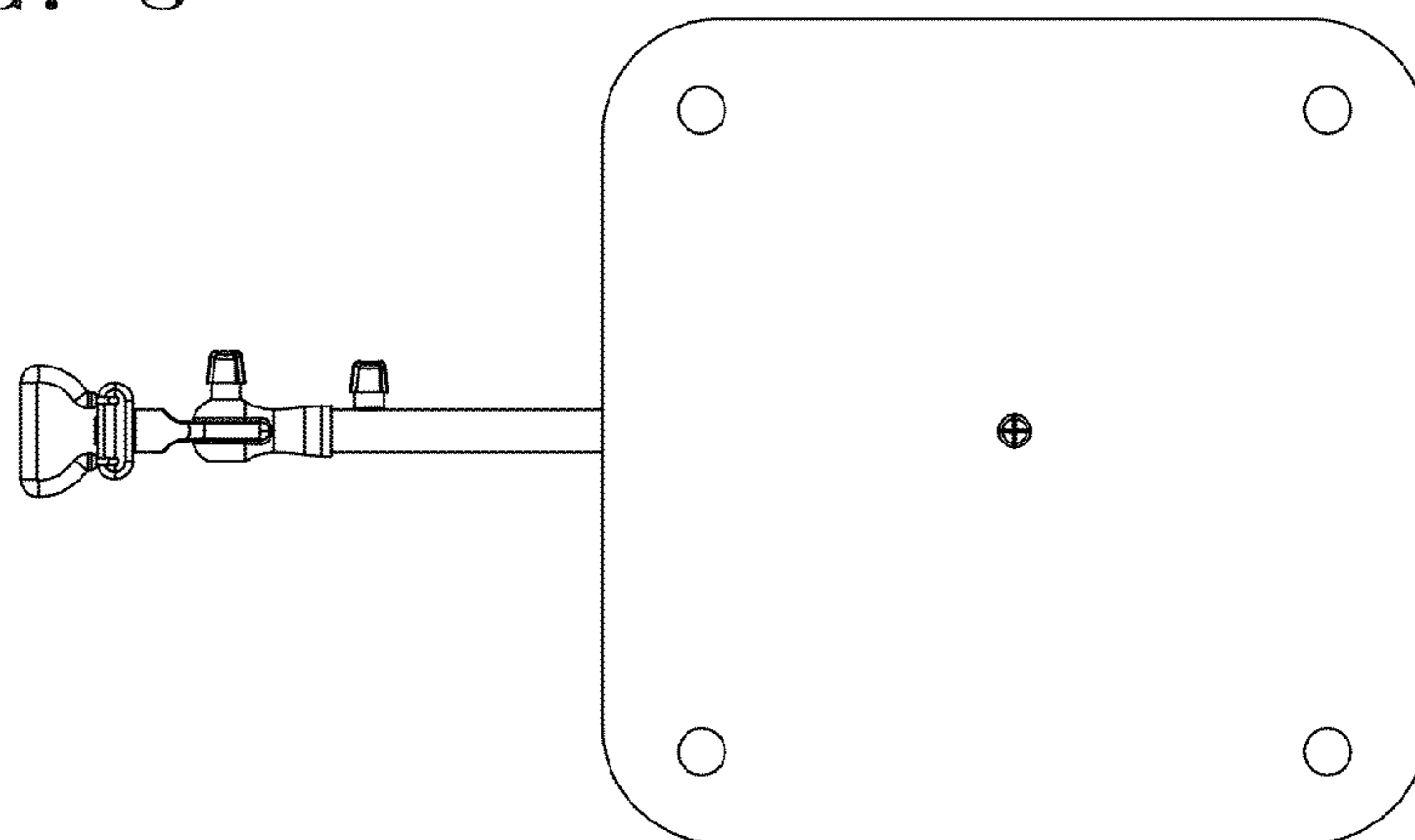


FIG. 2

FIG. 3



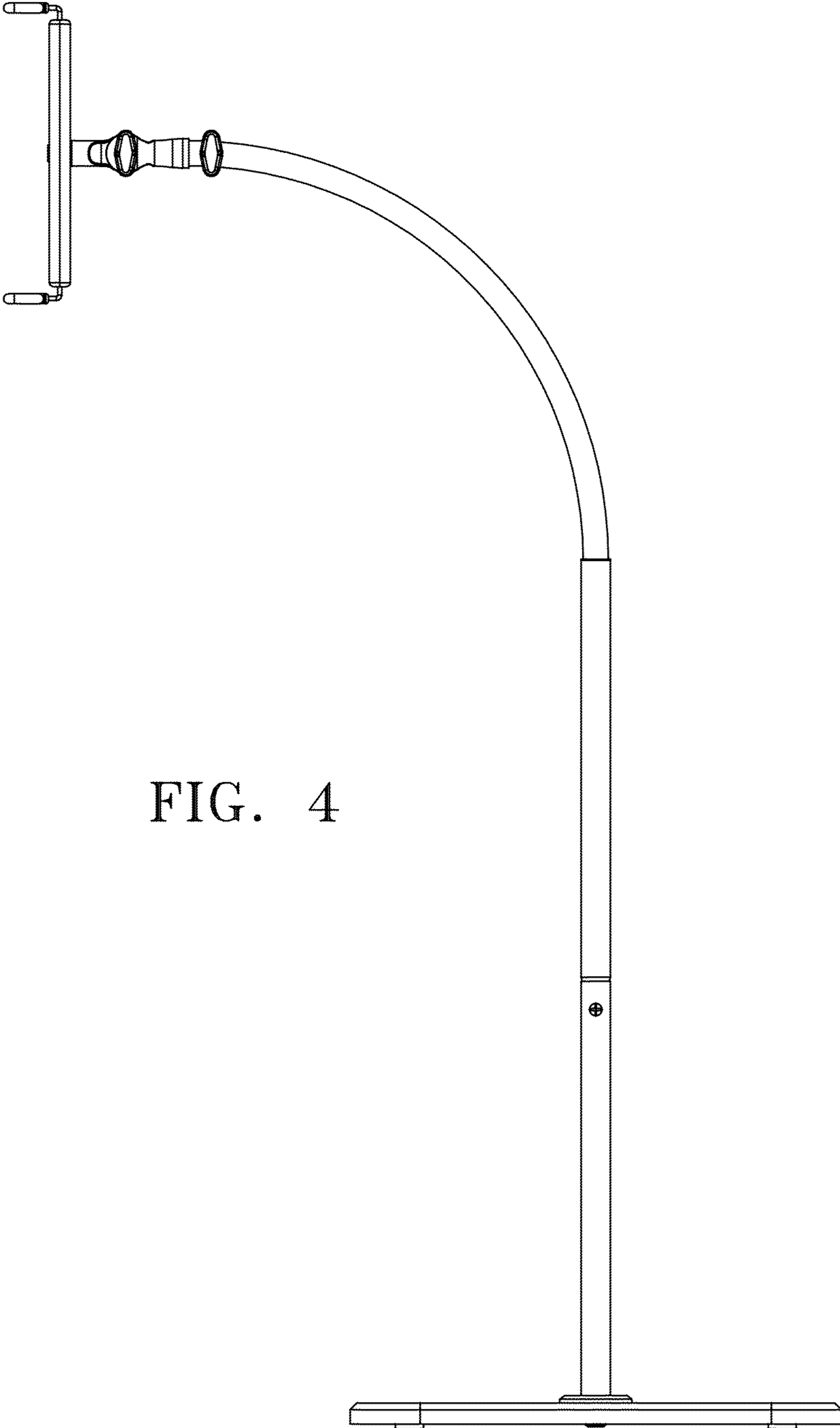


FIG. 4

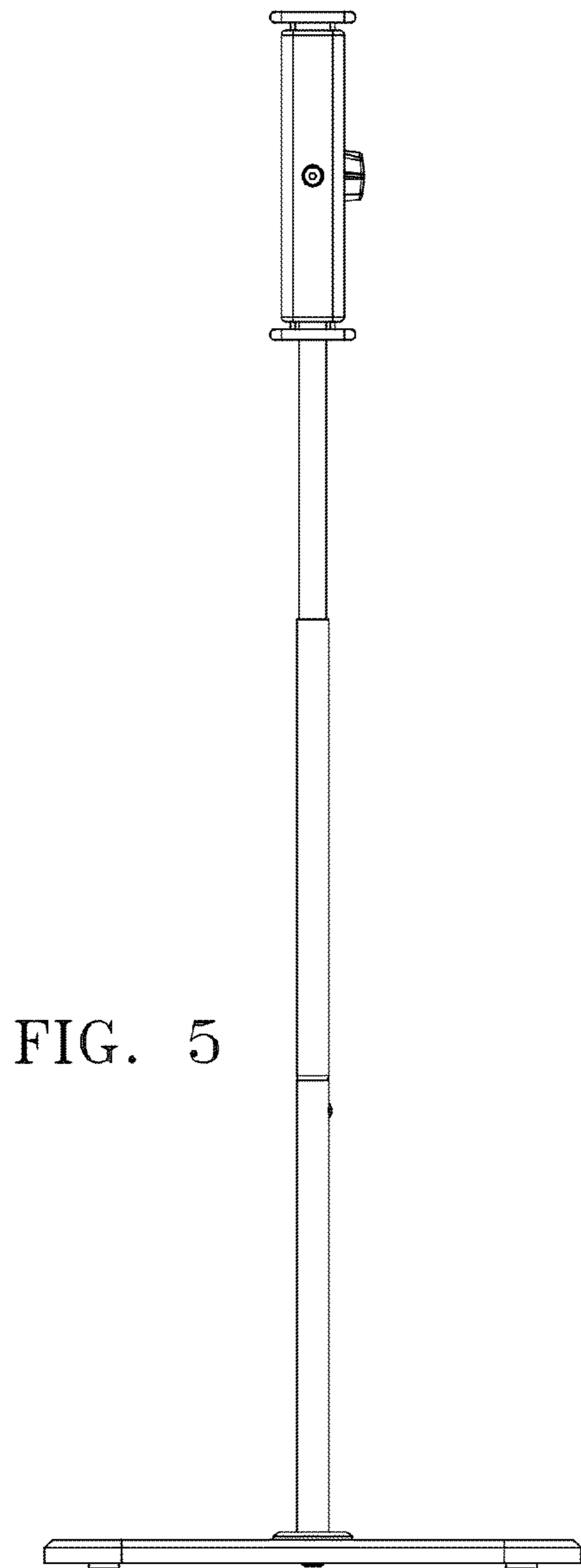
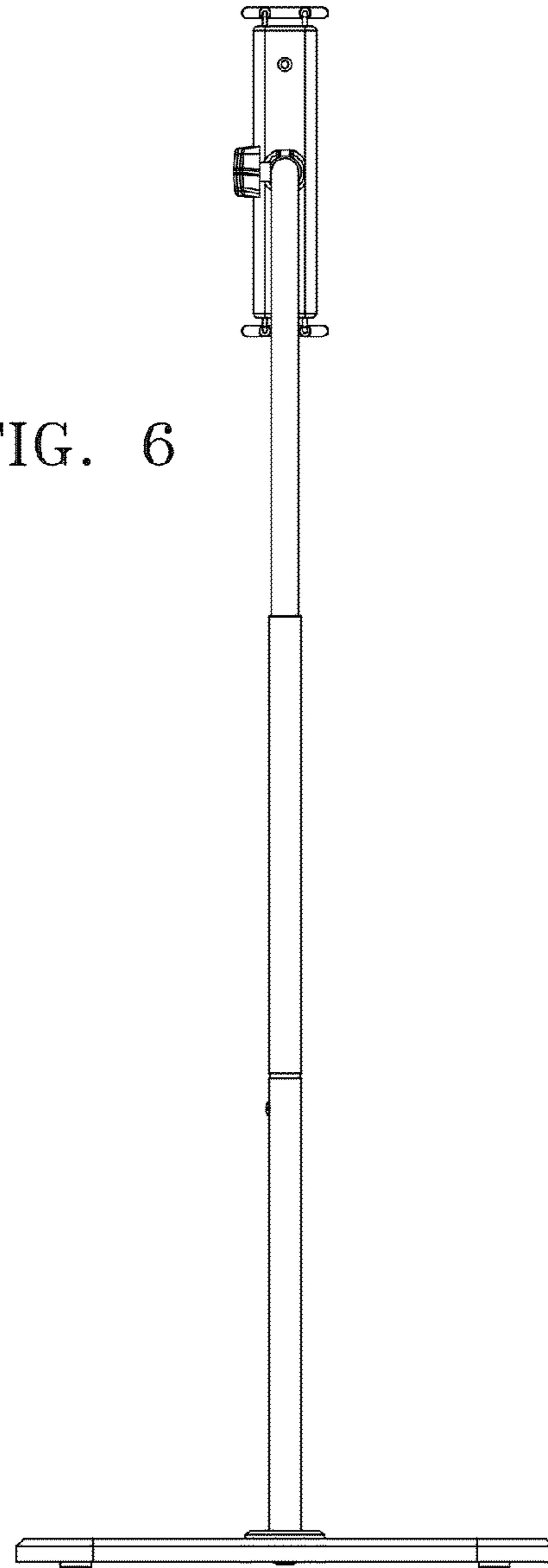


FIG. 6



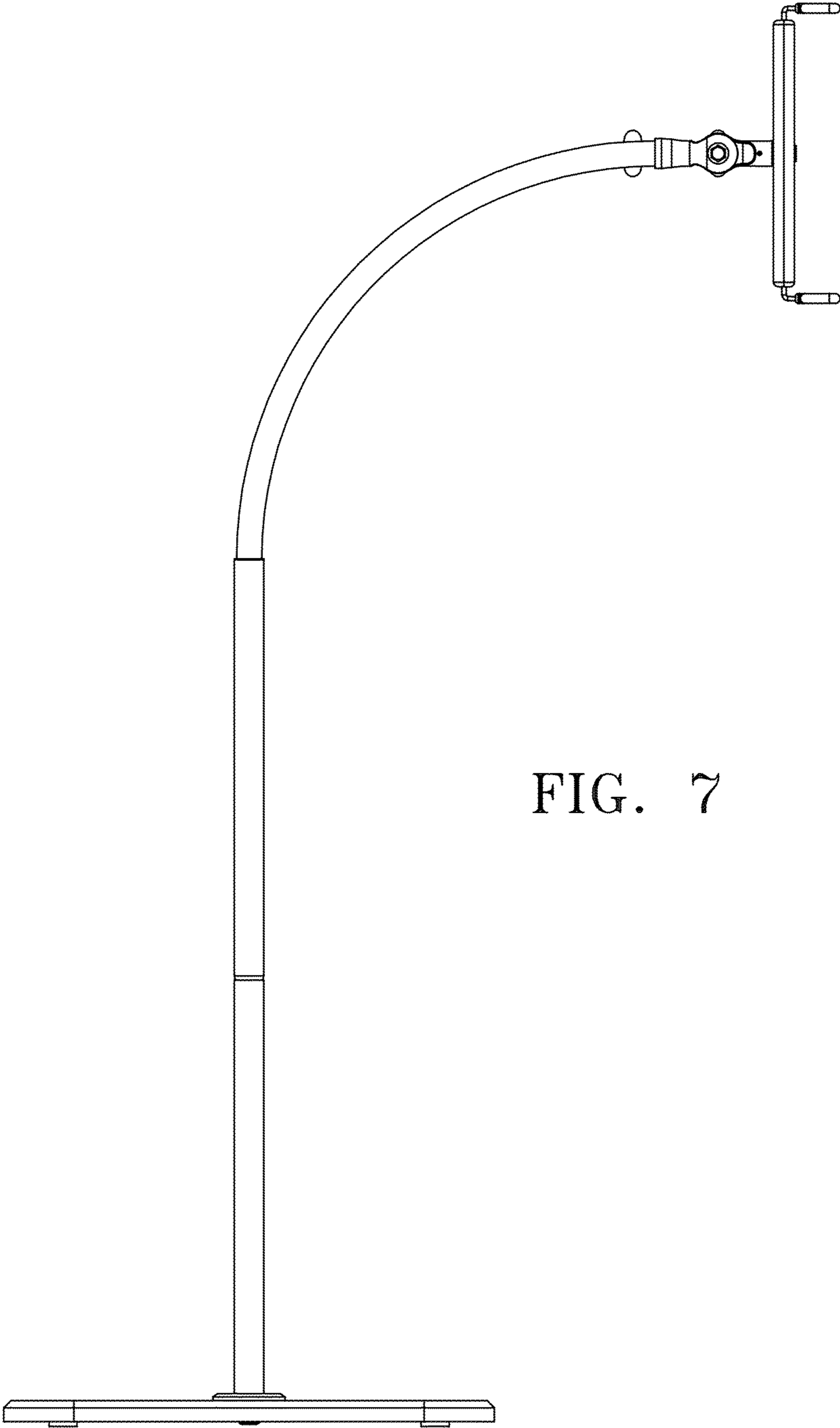


FIG. 7