



US00D724067S

(12) **United States Design Patent**
Fathollahi

(10) **Patent No.:** **US D724,067 S**
(45) **Date of Patent:** **** Mar. 10, 2015**

(54) **CASE**

(75) **Inventor:** **Andy Fathollahi**, Corona Del Mar, CA
(US)

(73) **Assignee:** **Incipio Technologies, Inc.**, Irvine, CA
(US)

(**) **Term:** **14 Years**

(21) **Appl. No.:** **29/412,885**

(22) **Filed:** **Feb. 8, 2012**

(51) **LOC (10) Cl.** **14-03**

(52) **U.S. Cl.**
USPC **D14/250**

(58) **Field of Classification Search**

USPC D14/250–253, 440, 203.3–203.7, 217,
D14/496, 248, 238.1; D3/201, 218, 269,
D3/301, 273, 303; D13/103, 107–108;
220/4.02; 248/309.1; 361/679.56;
379/426, 433.11, 455; 455/575.1,
455/575.8; 190/100; 206/305, 320

See application file for complete search history.

(56) **References Cited**

U.S. PATENT DOCUMENTS

754,329	A	3/1904	Milliken	
D107,221	S	11/1937	Dewsbury	
2,888,533	A	5/1959	Koda et al.	
2,967,714	A	1/1961	Rosario	
3,192,978	A	7/1965	William-Horvath	
3,470,058	A *	9/1969	Heffner	428/119
4,137,356	A *	1/1979	Shoemaker et al.	428/211.1
4,551,379	A	11/1985	Kerr	
D287,905	S	1/1987	Oyamada	
4,901,490	A *	2/1990	Zinniel et al.	52/263
D317,255	S	6/1991	Turk	
D320,992	S	10/1991	Jondelius	
5,123,702	A *	6/1992	Caruso	297/440.21

D339,690	S	9/1993	Takahashi et al.
D346,275	S	4/1994	Hayasaka et al.
5,386,098	A	1/1995	Knudsen
5,437,068	A	8/1995	Fisher
D371,137	S	6/1996	Kriegh

(Continued)

FOREIGN PATENT DOCUMENTS

WO DM/058570 11/2001

OTHER PUBLICATIONS

Black dotties™ Silicone Case for Apple iPhone 3G 3GS,
<URL:http://www.myincipio.com/product/iPhone_3G-IPH-450,
retrieved from internet May 9, 2010.

(Continued)

Primary Examiner — Randall Gholson

(74) *Attorney, Agent, or Firm* — Manatt, Phelps & Phillips,
LLP

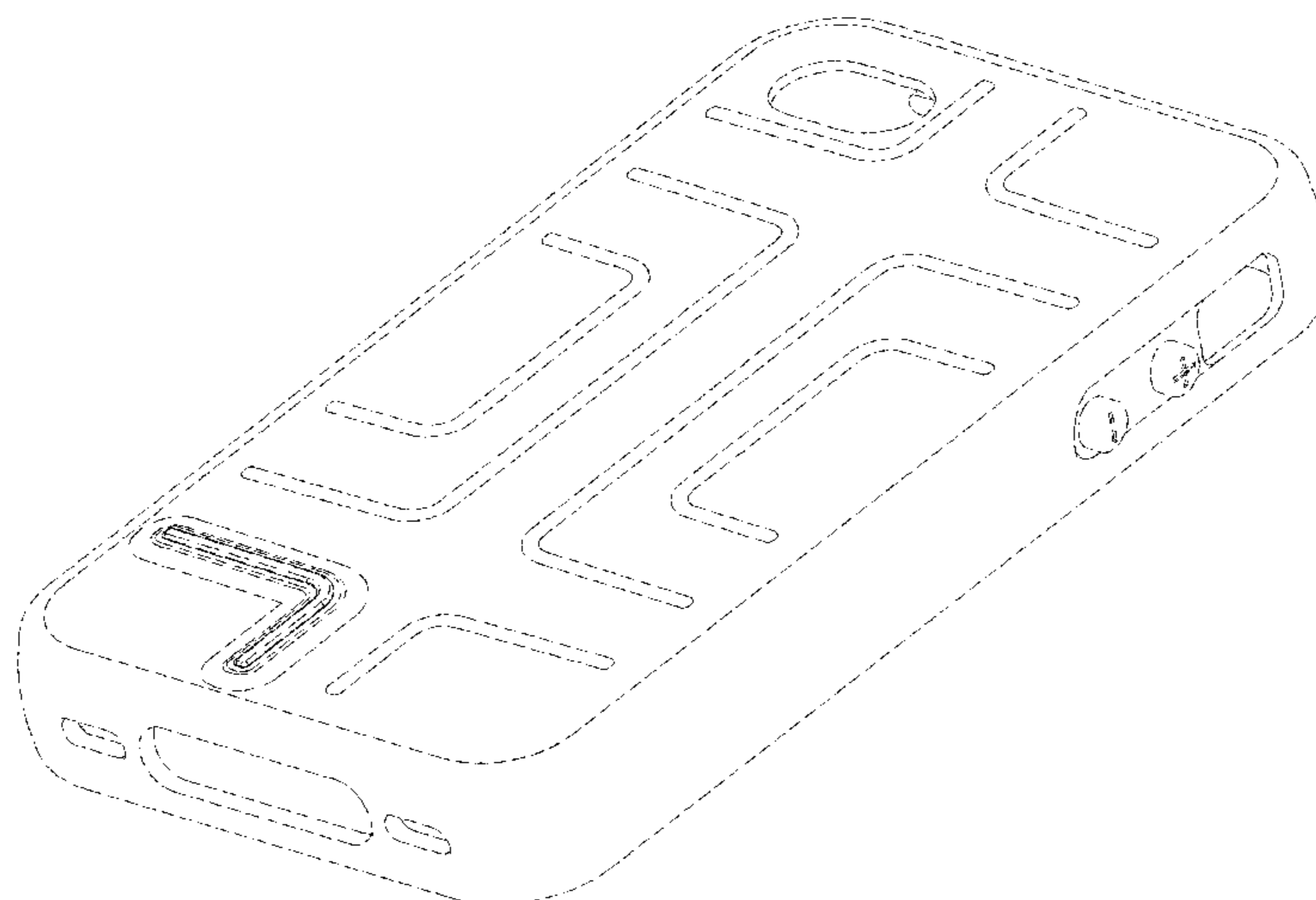
(57) **CLAIM**

I claim the ornamental design for a case, as shown and
described.

DESCRIPTION

FIG. 1 is a front perspective view of a case;
FIG. 2 is a rear perspective view of the case of FIG. 1;
FIG. 3 is a front view of the case of FIG. 1;
FIG. 4 is a rear view of the case of FIG. 1;
FIG. 5 is a left side view of the case of FIG. 1;
FIG. 6 is a right side view of the case of FIG. 1;
FIG. 7 is a top end view of the case of FIG. 1; and,
FIG. 8 is a bottom end view of the case of FIG. 1.
The broken lines in FIGS. 1-8 having a dash-dash configura-
tion depict environmental subject matter and form no part of
the claimed design.

1 Claim, 5 Drawing Sheets



(56)

References Cited

U.S. PATENT DOCUMENTS

5,567,497 A * 10/1996 Zegler et al. 428/95
 D387,199 S 12/1997 Nagele et al.
 D389,641 S 1/1998 McCutcheon et al.
 D392,097 S 3/1998 Pottala et al.
 5,755,367 A 5/1998 Yamada
 D400,209 S 10/1998 Williams et al.
 D400,497 S 11/1998 Sabag et al.
 D401,040 S * 11/1998 Schneider D2/951
 5,833,053 A 11/1998 Wood et al.
 D406,191 S 3/1999 Phillips et al.
 5,992,343 A 11/1999 Drover
 D419,290 S 1/2000 Treyer et al.
 6,124,783 A 9/2000 Alexander
 D434,898 S 12/2000 Jokinen et al.
 D438,417 S 3/2001 Liu et al.
 6,239,968 B1 5/2001 Kim et al.
 6,273,252 B1 8/2001 Mitchell
 D455,746 S 4/2002 Ronzani et al.
 D462,514 S 9/2002 Rivera et al.
 6,445,577 B1 9/2002 Madsen et al.
 6,456,487 B1 9/2002 Hetterick
 6,471,056 B1 10/2002 Tzeng
 D466,287 S 12/2002 Tanaka
 6,519,141 B2 2/2003 Tseng et al.
 6,536,589 B2 3/2003 Chang
 6,646,864 B2 11/2003 Richardson
 D489,162 S 5/2004 Dings-Plooij
 D495,871 S 9/2004 Moffitt et al.
 D499,546 S 12/2004 Smithers
 6,854,412 B1 2/2005 Courson et al.
 6,866,266 B1 3/2005 Thorne
 6,938,899 B2 9/2005 Kenney et al.
 6,954,047 B2 10/2005 Neubauer
 6,995,976 B2 2/2006 Richardson
 D516,554 S 3/2006 Richardson et al.
 D521,232 S 5/2006 Andre et al.
 D526,780 S 8/2006 Richardson et al.
 7,097,233 B2 8/2006 Sogame et al.
 D529,266 S * 10/2006 Le D2/957
 D529,713 S 10/2006 Guyot et al.
 D530,079 S 10/2006 Thomas et al.
 7,158,376 B2 1/2007 Richardson et al.
 7,180,735 B2 2/2007 Thomas et al.
 D541,296 S 4/2007 Kim
 D542,524 S 5/2007 Richardson et al.
 D543,541 S 5/2007 Chung et al.
 7,230,823 B2 6/2007 Richardson et al.
 7,261,204 B2 8/2007 Zaidi et al.
 D553,352 S 10/2007 Allen
 D553,357 S 10/2007 Zimmerman
 7,312,984 B2 12/2007 Richardson et al.
 D561,724 S 2/2008 Kim et al.
 D561,986 S 2/2008 Horne et al.
 D565,290 S 4/2008 Brandenburg et al.
 D570,593 S 6/2008 Justiss
 D575,056 S 8/2008 Tan
 D581,151 S 11/2008 Aipa
 D581,155 S 11/2008 Richardson et al.
 D581,421 S 11/2008 Richardson et al.
 D587,008 S 2/2009 Richardson et al.
 D587,896 S 3/2009 Aipa
 D589,016 S 3/2009 Richardson et al.
 D589,486 S 3/2009 He
 D593,319 S 6/2009 Richardson et al.
 D593,746 S 6/2009 Richardson et al.
 D597,089 S 7/2009 Khan et al.
 D597,301 S 8/2009 Richardson et al.
 D598,407 S 8/2009 Richardson et al.
 D600,908 S 9/2009 Richardson et al.
 7,594,576 B2 9/2009 Chen et al.
 7,609,512 B2 10/2009 Richardson et al.
 D603,602 S 11/2009 Richardson et al.
 D603,603 S 11/2009 Laine et al.

D605,850 S 12/2009 Richardson et al.
 D606,529 S 12/2009 Ferrari et al.
 D607,446 S 1/2010 Ferrari et al.
 D609,463 S 2/2010 Bullen
 D609,464 S 2/2010 Bullen
 7,663,879 B2 2/2010 Richardson et al.
 D610,807 S 3/2010 Bau
 D611,042 S 3/2010 Ferrari et al.
 D611,478 S 3/2010 Richardson et al.
 7,688,580 B2 3/2010 Richardson et al.
 D615,536 S 5/2010 Richardson et al.
 D616,361 S 5/2010 Huang
 D623,652 S * 9/2010 Hsu D14/439
 7,802,337 B2 * 9/2010 van Roosmalen et al. 14/69.5
 D625,283 S 10/2010 Okada et al.
 D625,698 S 10/2010 Miyazaki et al.
 D634,313 S 3/2011 Fitzpatrick et al.
 D641,756 S 7/2011 Hsieh et al.
 D641,974 S * 7/2011 Stampfli D3/218
 D642,170 S 7/2011 Johnson et al.
 8,016,107 B2 9/2011 Emsky
 D647,519 S 10/2011 Rothbaum et al.
 D649,144 S 11/2011 Fathollahi
 8,056,167 B2 11/2011 Cheung et al.
 D663,263 S 7/2012 Gupta et al.
 D665,735 S 8/2012 Kang et al.
 D707,233 S * 6/2014 Sirichai D14/447
 2003/0052786 A1 3/2003 Dickinson
 2003/0151890 A1 8/2003 Huang et al.
 2004/0057199 A1 3/2004 Azuchi
 2004/0112776 A1 6/2004 Lord
 2004/0236258 A1 11/2004 Burns et al.
 2005/0242941 A1 11/2005 Chao
 2005/0247584 A1 11/2005 Lu
 2006/0052064 A1 3/2006 Goradesky
 2006/0231713 A1 10/2006 Crain et al.
 2007/0165367 A1 7/2007 Chung
 2008/0012383 A1 1/2008 Larson
 2008/0316687 A1 12/2008 Richardson et al.
 2009/0009945 A1 1/2009 Johnson et al.
 2009/0034169 A1 2/2009 Richardson et al.
 2009/0080153 A1 3/2009 Richardson et al.
 2009/0111543 A1 4/2009 Tai et al.
 2009/0139010 A1 6/2009 Bevier
 2009/0154095 A1 6/2009 Would
 2010/0008028 A1 1/2010 Richardson et al.
 2010/0051712 A1 3/2010 Lebeck
 2010/0096284 A1 4/2010 Bau
 2010/0203931 A1 8/2010 Hyneczek et al.
 2011/0036876 A1 2/2011 Fathollahi

OTHER PUBLICATIONS

The OtterBox Commuter Series 3GS for iPhone, <URL:http://www.otterbox.com/iphone-cases/iphone-3g-3gs-cases, retrieved from internet May 9, 2010.
 Seidio FlexArmor, <URL:http://www.seidioonline.com/PhotoGallery.asp?, retrieved from internet May 9, 2010.
 Silicylic Polycarbonate Case with Silicone Core for iPhone 3G 3GS—Olive Green, <URL:http://www.myincipio.com/product/IPHONE_3G_IPH-617, retrieved from internet May 9, 2010.
 BlackBerry Storm Computer Series Case, URL:http://www.otterbox.com/blackberry-storm-commuter-case/> Mar. 24, 2010.
 Incipio Holster for Motorola Razr, URL:http://www.myincipio.com/products/RAZR_HOLSTER_ID-279/Incipio-Ultra_Lightweight-Motorola-V3_v3m-v3i-v3c-RAZR-Magnesium-Play-Thru-Holster-Belt-Carrying-Case--Pink.html, Mar. 24, 2010.
 U.S. Appl. No. 29/385,458, filed Feb. 14, 2011, which is pending.
 U.S. Appl. No. 29/412,879, filed Feb. 8, 2012, which is pending.
 U.S. Appl. No. 29/416,008, filed Mar. 16, 2012, which is pending.
 U.S. Appl. No. 29/412,884, filed Feb. 8, 2012, which is pending.
 U.S. Appl. No. 29/412,883, filed Feb. 8, 2012, which is pending.
 U.S. Appl. No. 29/412,881, filed Feb. 8, 2012, which is pending.
 U.S. Appl. No. 29/416,006, filed Mar. 16, 2012, which is pending.

* cited by examiner

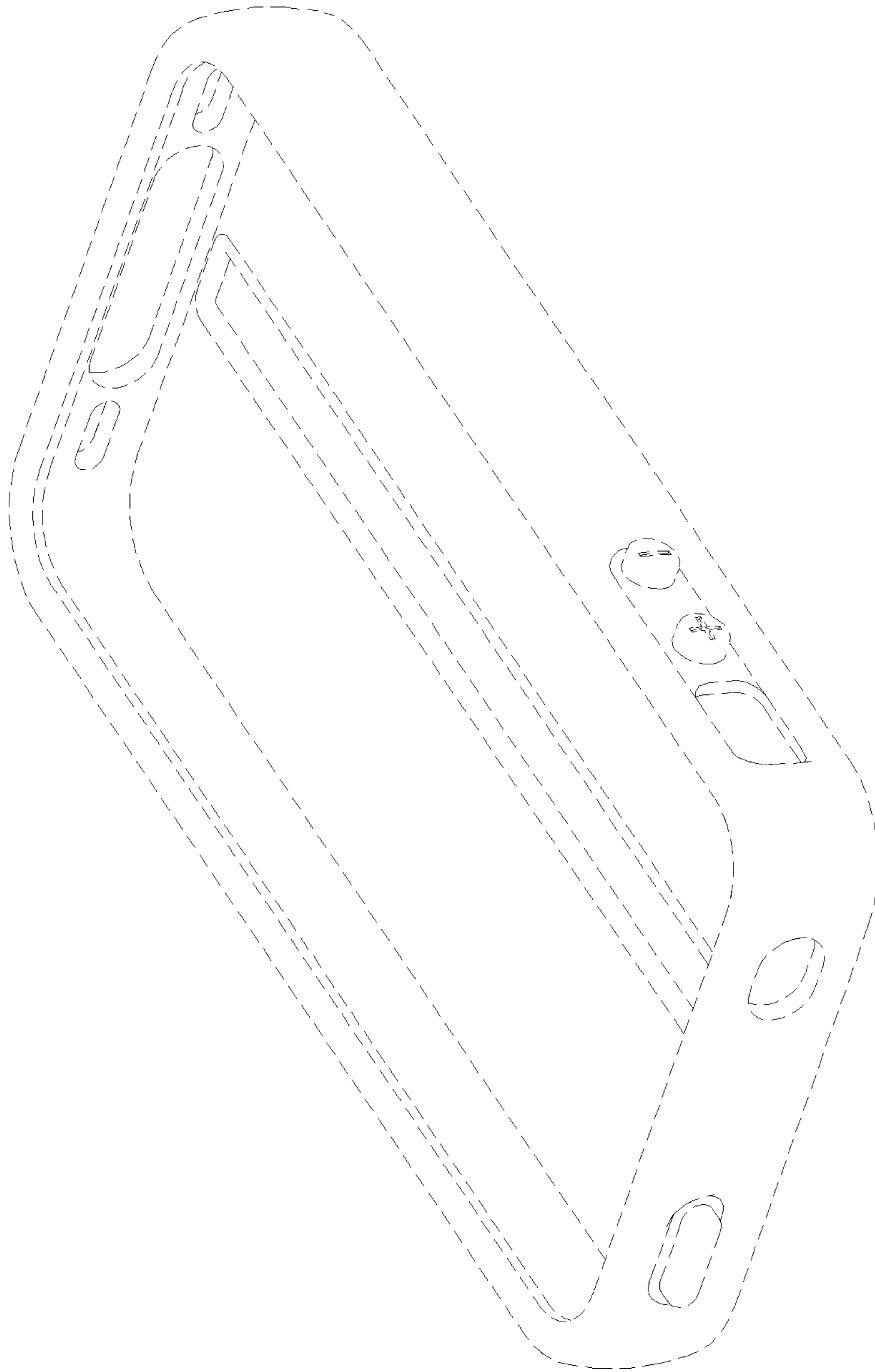


FIG. 1

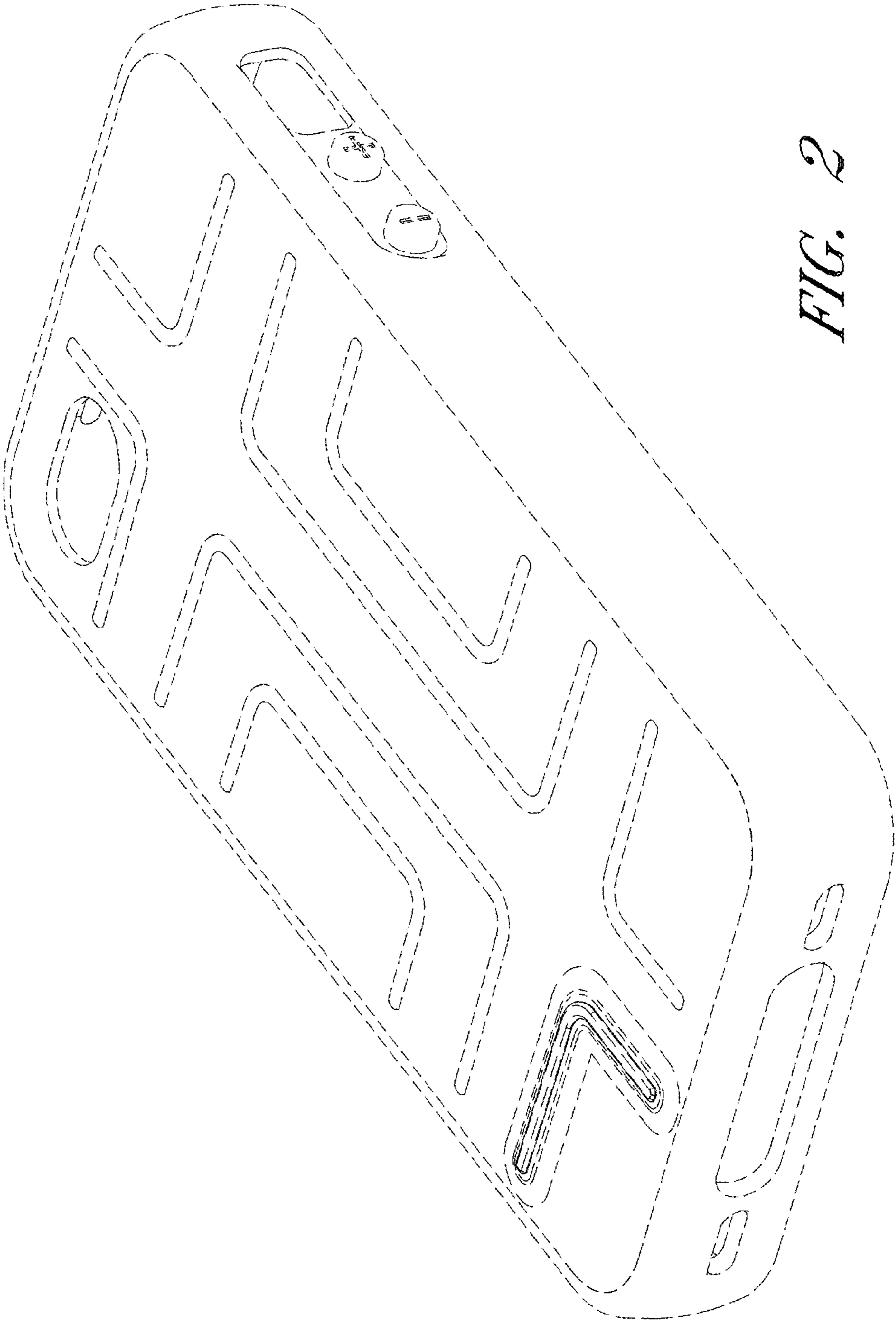


FIG. 2

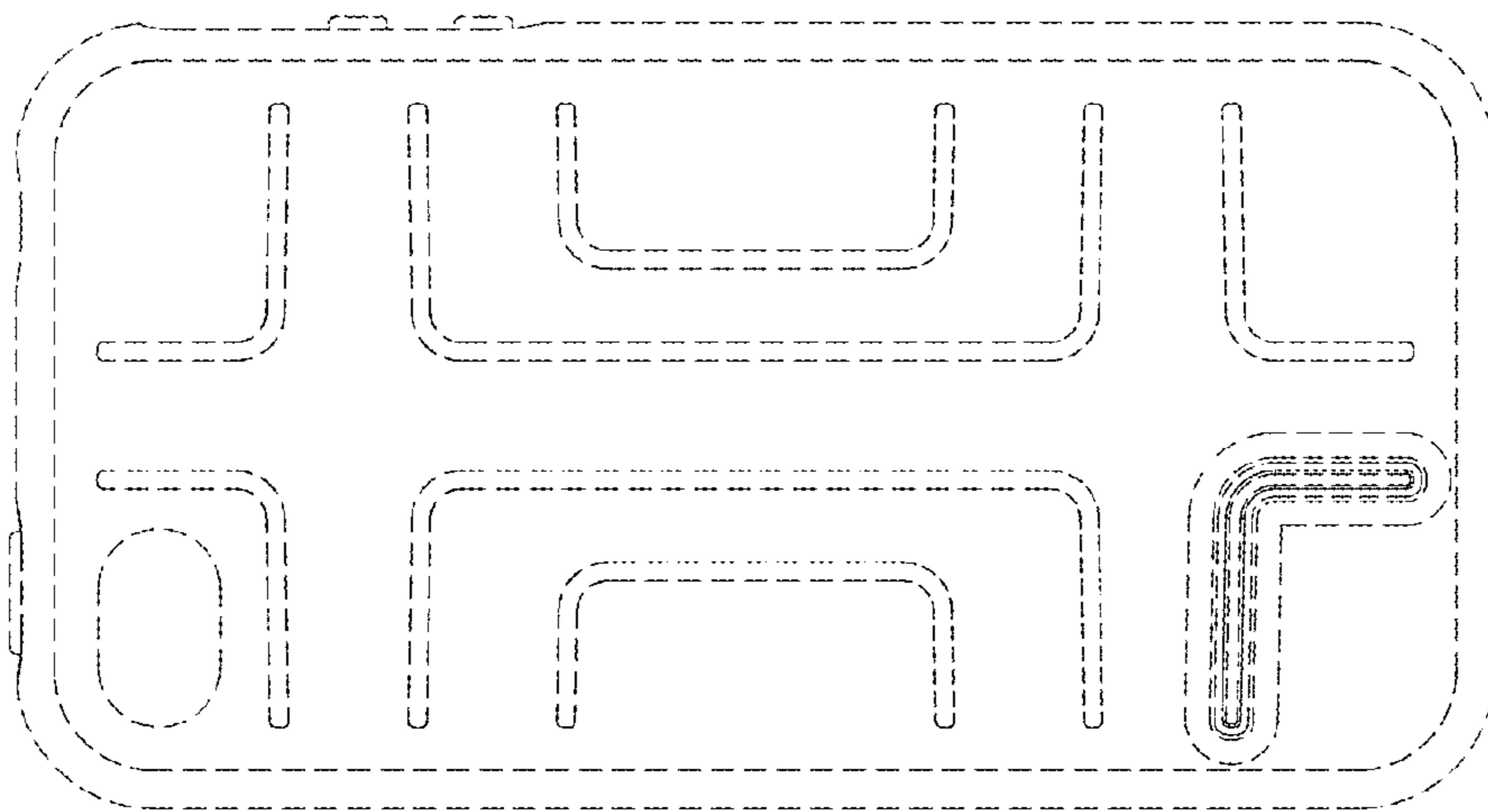


FIG. 4



FIG. 3

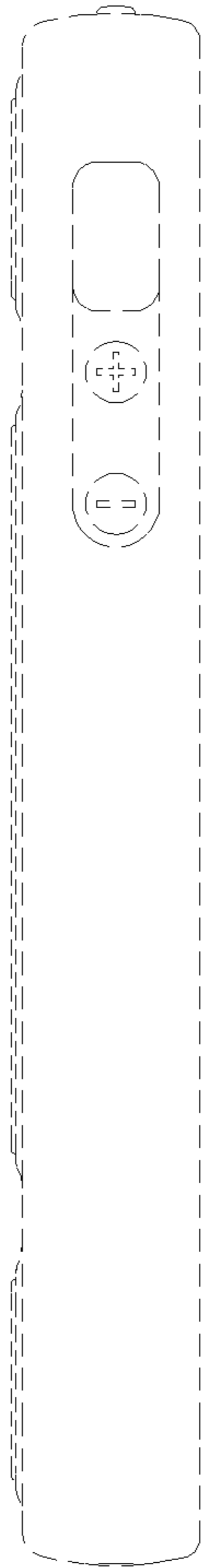


FIG. 5

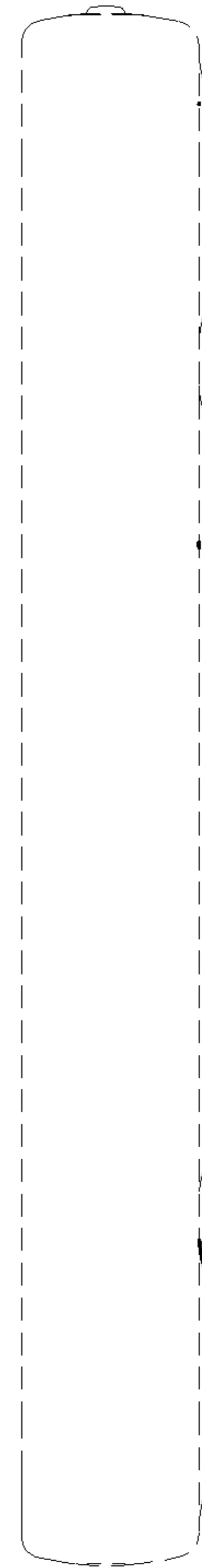


FIG. 6



FIG. 7

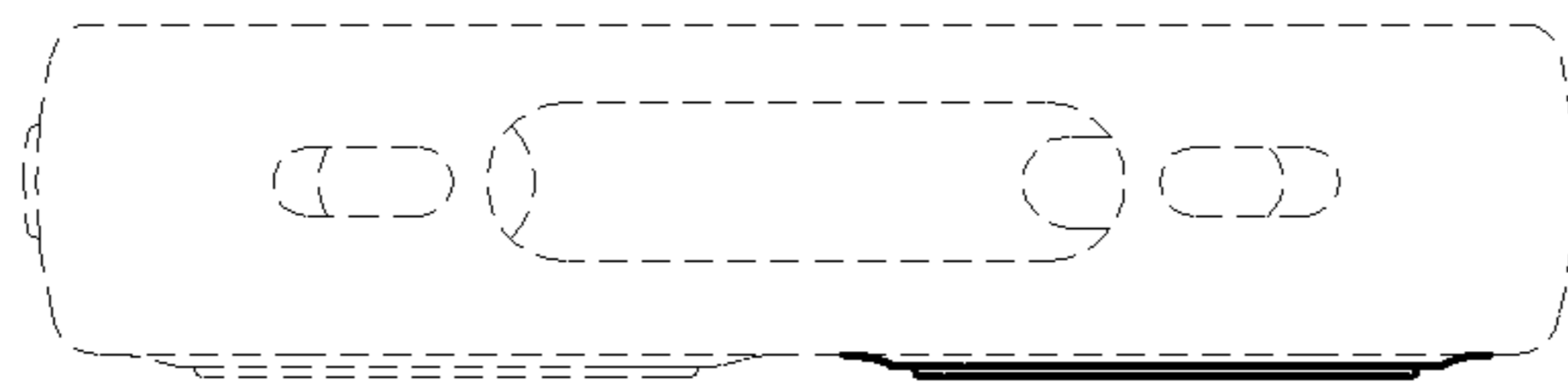


FIG. 8