



US00D724060S

(12) **United States Design Patent**
Ahn et al.

(10) **Patent No.:** **US D724,060 S**
(45) **Date of Patent:** **** Mar. 10, 2015**

(54) **REMOTE CONTROLLER**

(71) Applicant: **Samsung Electronics Co., Ltd.**,
Suwon-si, Gyeonggi-do (KR)

(72) Inventors: **Hyo-In Ahn**, Seoul (KR); **Eun-Kyung Yoo**, Seoul (KR); **Ji-Su Jung**, Yongin-si (KR); **Dong-Goo Kang**, Seoul (KR); **Say Jang**, Yonginsu (KR)

(73) Assignee: **Samsung Electronics Co., Ltd.** (KR)

(**) Term: **14 Years**

(21) Appl. No.: **29/486,785**

(22) Filed: **Apr. 2, 2014**

(30) **Foreign Application Priority Data**

Oct. 24, 2013 (KR) 30-2013-0053548

(51) **LOC (10) Cl.** **14-03**

(52) **U.S. Cl.**
USPC **D14/218**

(58) **Field of Classification Search**

USPC 116/106; 174/84 R; 200/5 R; 340/287,
340/396.1, 691.7, 693.11; 446/106;
D10/106.5, 49, 50, 65, 70; D13/171,
D13/173, 174, 168; D14/137, 218, 240,
D14/242, 245, 420; D16/203; D22/122;
D28/82, 91; D9/420, 504; D7/401

See application file for complete search history.

(56) **References Cited**

U.S. PATENT DOCUMENTS

1,527,051 A * 2/1925 Longan 434/235
D303,584 S * 9/1989 Bakic D28/91
D396,235 S * 7/1998 Tate et al. D14/240
5,778,611 A * 7/1998 Michel 52/198
5,922,993 A * 7/1999 Ide et al. 174/84 R
D484,731 S * 1/2004 Tung D6/632
D501,848 S * 2/2005 Uehara et al. D14/240

D507,078 S * 7/2005 Greenfield D28/82
D515,516 S * 2/2006 Mayo et al. D13/171
D517,364 S * 3/2006 Nieves D6/633
D519,569 S * 4/2006 Kiyono et al. D21/333
D540,395 S * 4/2007 Bailey D21/333
D542,280 S * 5/2007 Taylor D14/218
D596,622 S * 7/2009 Lee D14/218

(Continued)

FOREIGN PATENT DOCUMENTS

AU 306684 S * 5/2006
AU 334698 S * 1/2011

(Continued)

OTHER PUBLICATIONS

ESL Interlogic Fire Alarm Manual, copyright 2001, [online], [site visited Aug. 14, 2014]. Available from the internet, <http://http://reliablectv.com/alt_pdfs/GE_Manual_320A_350.pdf>.*

(Continued)

Primary Examiner — John Windmuller

Assistant Examiner — John R Yeh

(74) *Attorney, Agent, or Firm* — Cantor Colburn LLP

(57) **CLAIM**

We claim, the ornamental design for a remote controller, as shown and described.

DESCRIPTION

FIG. 1 is a perspective view of a remote controller, showing our new design;

FIG. 2 is a front elevation view thereof;

FIG. 3 is a rear elevation view thereof;

FIG. 4 is a side elevation view thereof;

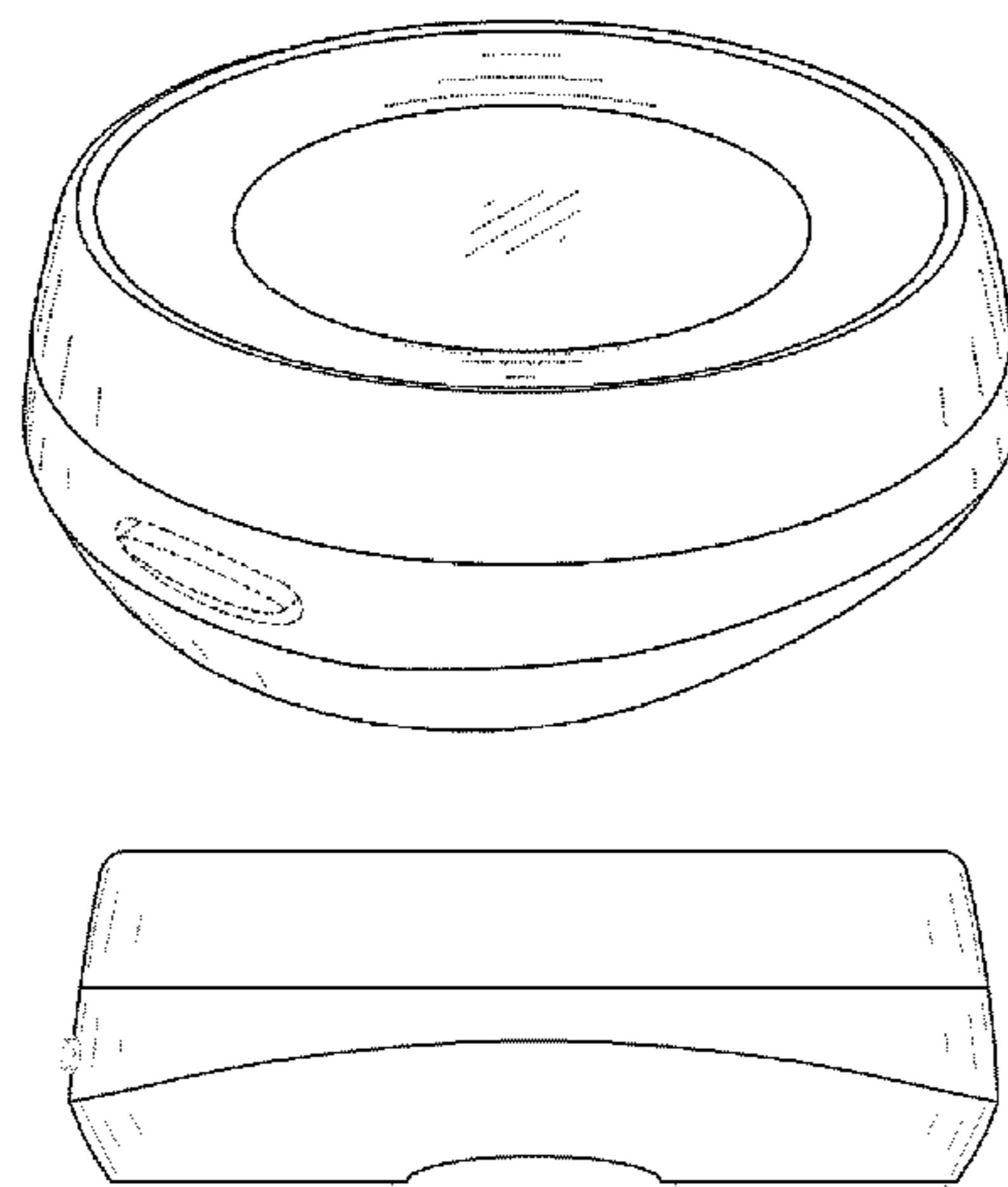
FIG. 5 is another side elevation view thereof;

FIG. 6 is a top plan view thereof; and,

FIG. 7 is a bottom plan view thereof.

The broken lines are for environmental purpose only and form no part of the claimed design.

1 Claim, 4 Drawing Sheets



(56)

References Cited

U.S. PATENT DOCUMENTS

D601,564 S * 10/2009 Maeno D14/400
 D621,261 S * 8/2010 DeMarco D9/504
 D625,295 S * 10/2010 Nogueira et al. D14/218
 D636,380 S * 4/2011 Valeur D14/218
 D643,412 S * 8/2011 Brady et al. D14/218
 D648,323 S * 11/2011 Medas D14/217
 D655,350 S * 3/2012 Taniguchi et al. D21/333
 D658,640 S * 5/2012 Ivaskevicius D14/242
 D682,131 S * 5/2013 Bhate et al. D10/106.6
 D685,790 S * 7/2013 Tang D14/388
 D694,306 S * 11/2013 Katori et al. D16/203
 D695,258 S * 12/2013 Hauser et al. D14/155
 D695,273 S * 12/2013 Siau D14/218
 D700,080 S * 2/2014 Broadbent et al. D10/65
 D700,904 S * 3/2014 Miller et al. D14/218
 D704,177 S * 5/2014 Chun et al. D14/240

FOREIGN PATENT DOCUMENTS

CA 84844 * 10/1998
 CA 119633 * 6/2008

CA 128915 * 11/2009
 EM 000515747-0006 * 4/2006
 PT 10902-0001 * 9/1969

OTHER PUBLICATIONS

Neutrogena Mineral Sheers Compact Powder, publish date Mar. 2, 2011, [online], [site visited Aug. 14, 2014]. Available from the internet, <<http://www.neutrogena.com/product/mineral+sheers+compact+powder+foundation.do>>.*
 Kidde Smoke Alarm manual, copyright 2006, [online], [site visited Aug. 14, 2014]. Available from the internet, <http://http://www.kidde.com/Documents/manual_820-1183_rev_b.pdf>.*
 Bose Speaker Pod pricenfees review, publish date Sep. 7, 2011, [online], [site visited Sep. 15, 2014]. Available from the internet, <<http://www.pricenfees.com/bose-companion-3-sound-system-re-view.html>>.*

* cited by examiner

FIG. 1

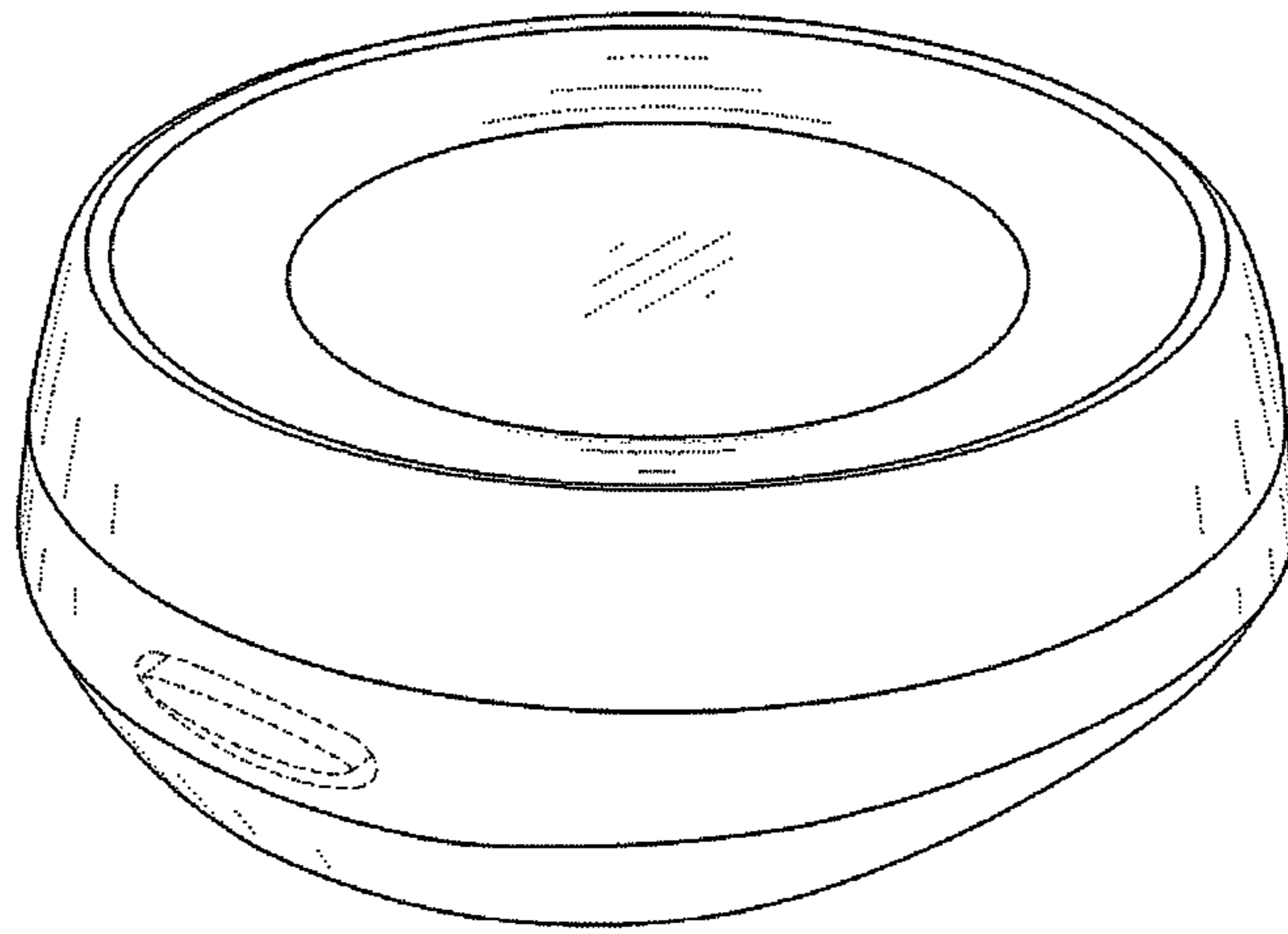


FIG. 2

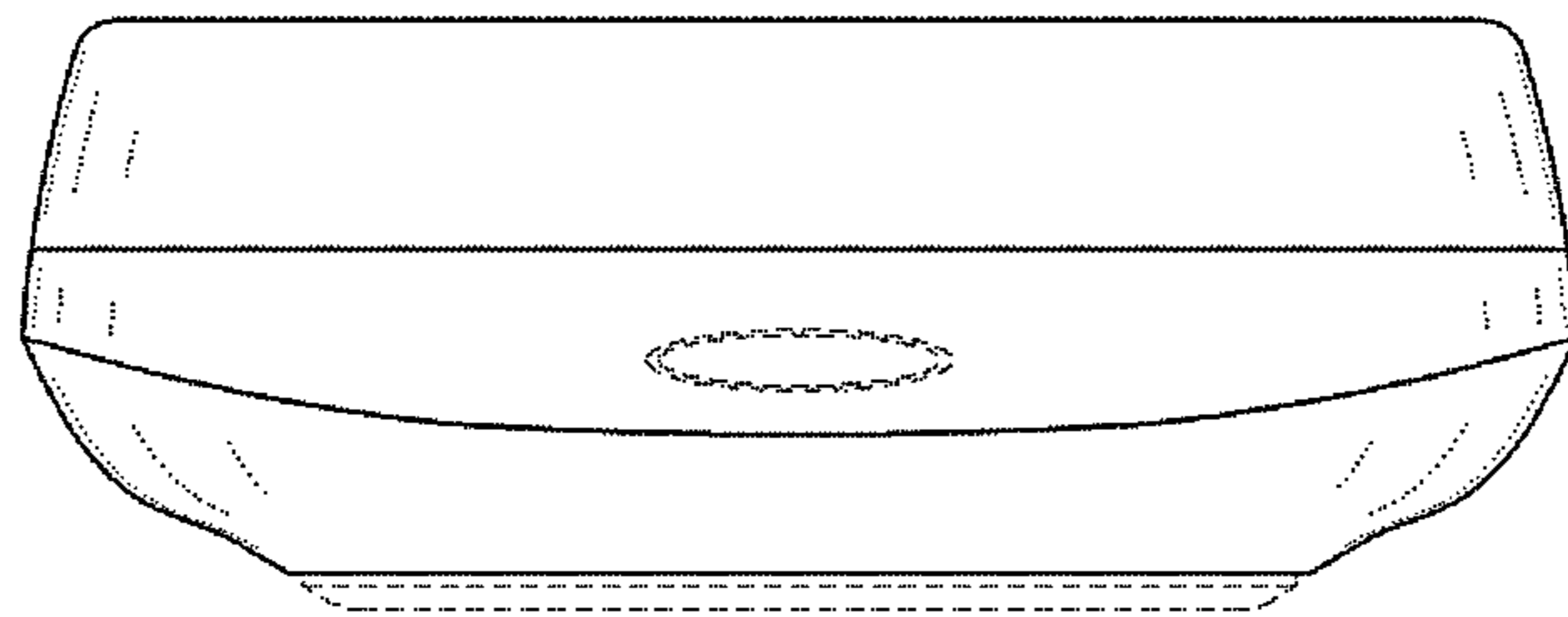


FIG. 3

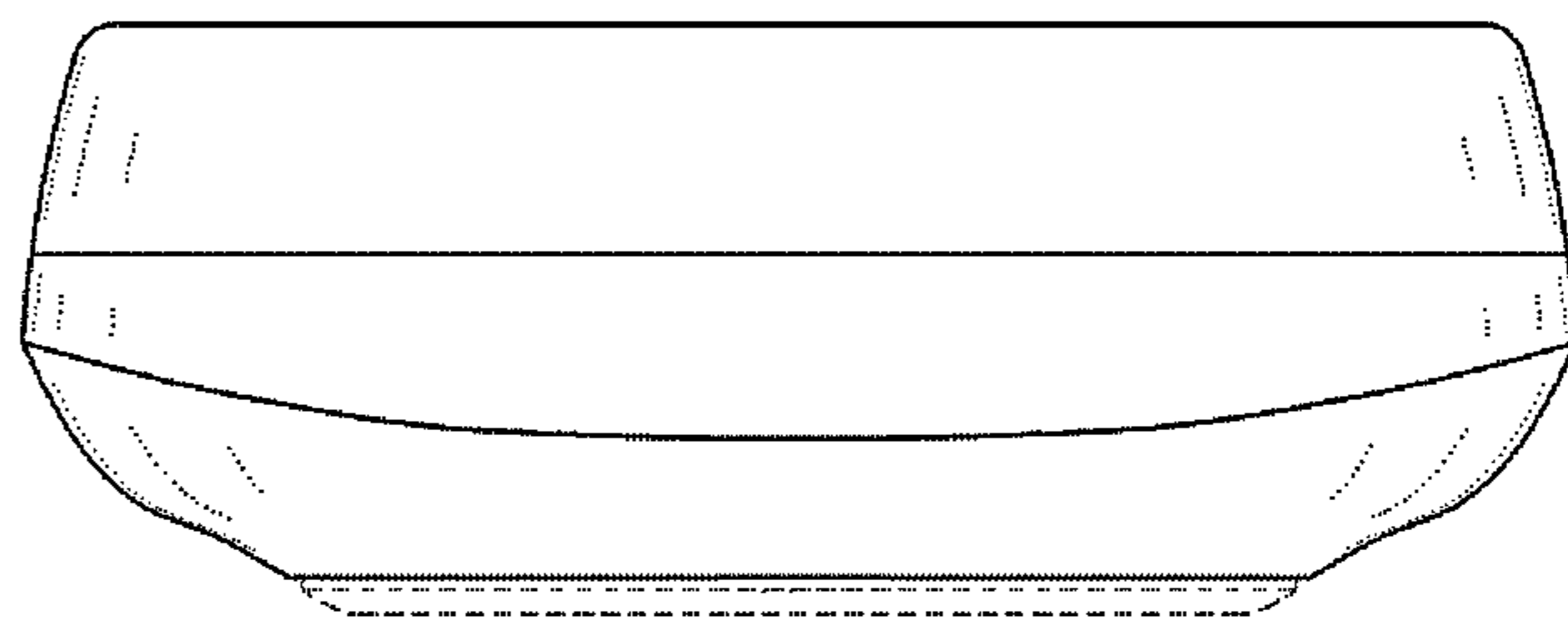


FIG. 4

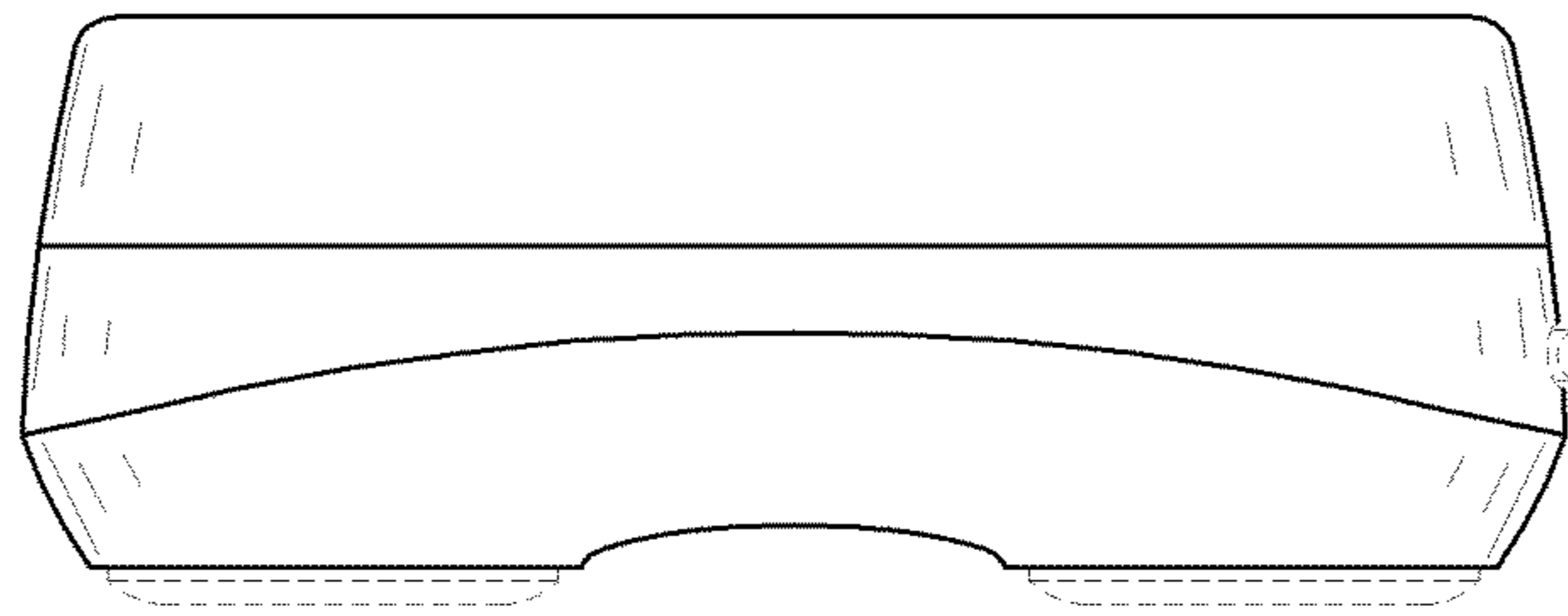


FIG. 5

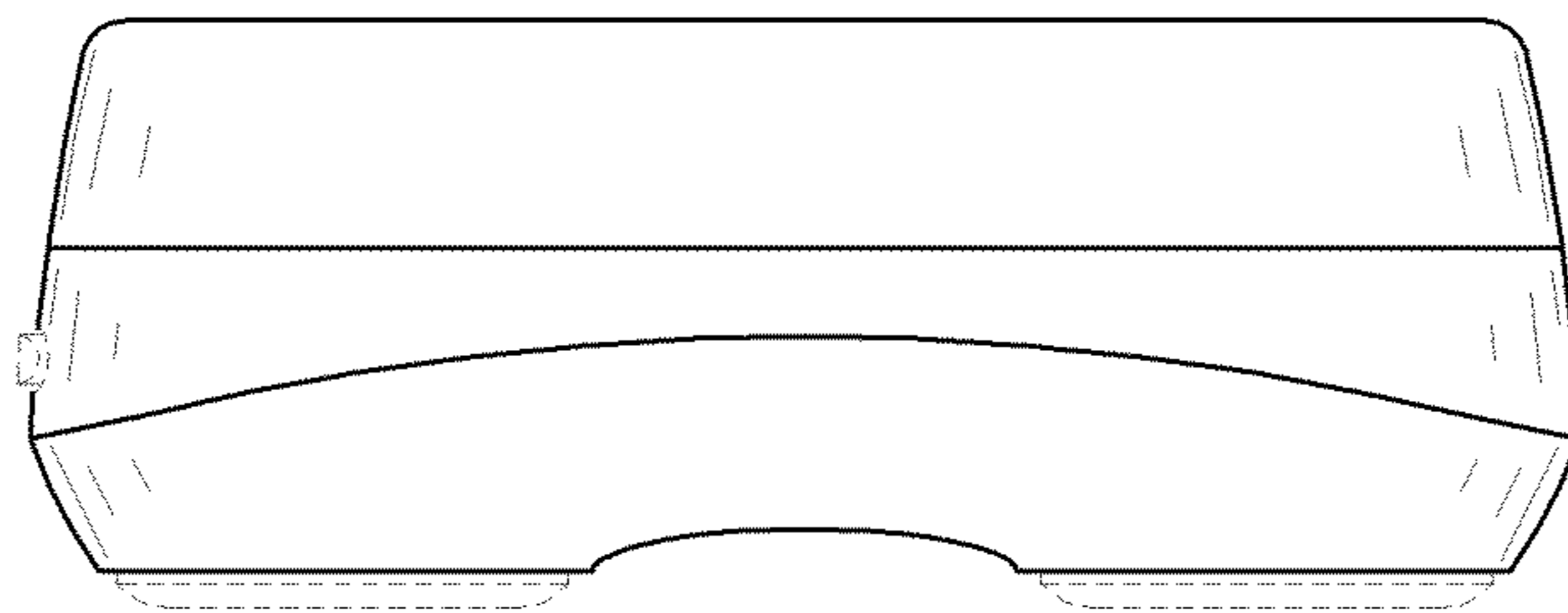


FIG. 6

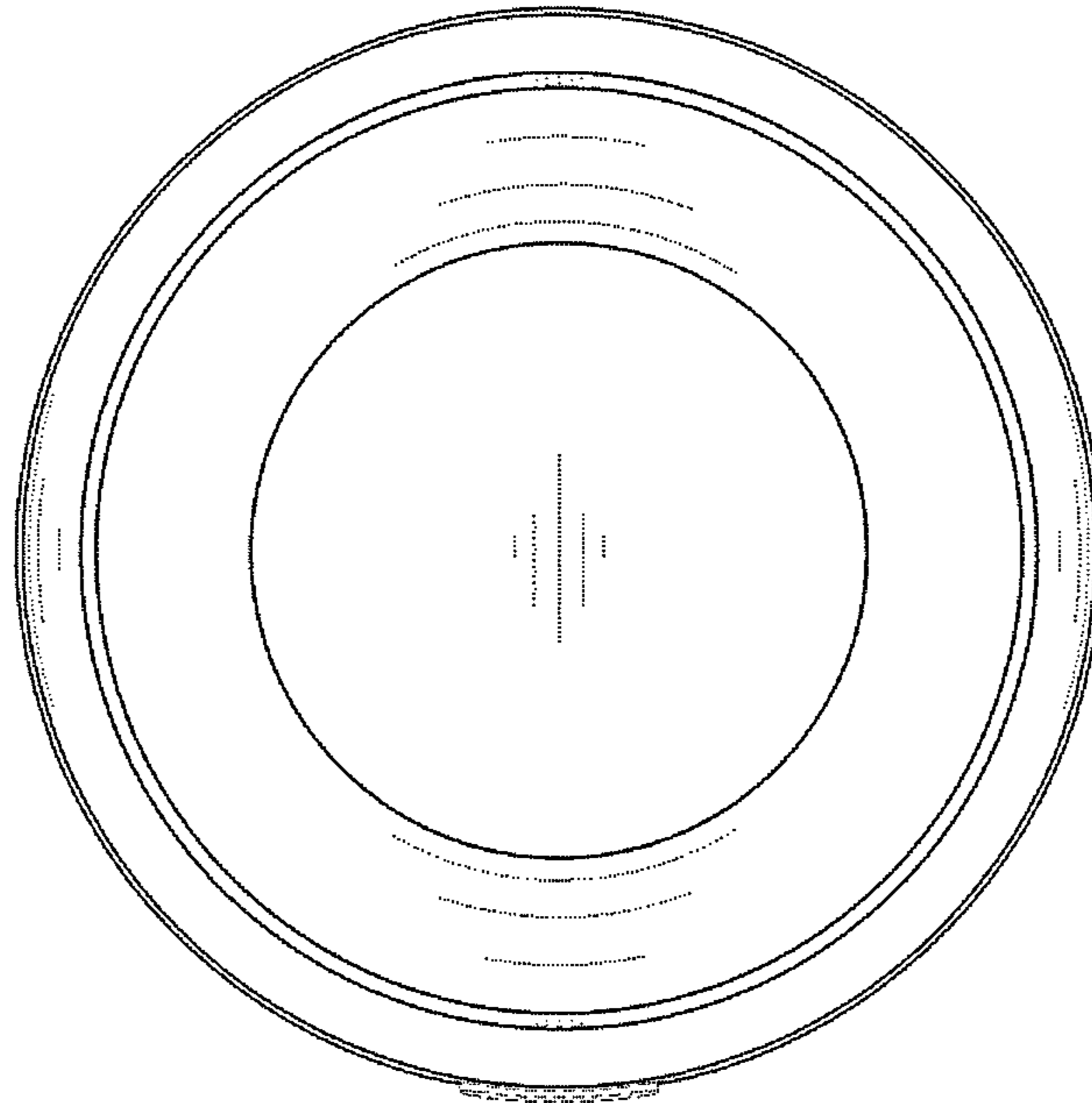


FIG. 7

