



US00D724057S

(12) **United States Design Patent**
Kim et al.

(10) **Patent No.:** **US D724,057 S**
(45) **Date of Patent:** **** Mar. 10, 2015**

(54) **AUDIO DEVICE WITH DOCKING STATION**

(56) **References Cited**

(71) Applicant: **Samsung Electronics Co., Ltd.**,
Suwon-si (KR)
(72) Inventors: **Ji Gwang Kim**, Seoul (KR); **Jae neung Lee**, Ansan-si (KR); **Joon soo Kim**, Seoul (KR)
(73) Assignee: **Samsung Electronics Co., Ltd.** (KR)

U.S. PATENT DOCUMENTS

D360,368	S	*	7/1995	Pickett et al.	D10/15
D485,824	S	*	1/2004	Olson et al.	D14/204
D578,545	S	*	10/2008	Sakai et al.	D14/496
D677,245	S	*	3/2013	Joseph	D14/209.1
D677,651	S	*	3/2013	Kim	D14/209.1
D702,663	S	*	4/2014	Kim et al.	D14/209.1

* cited by examiner

(**) Term: **14 Years**

Primary Examiner — Keli L Hill

(21) Appl. No.: **29/475,158**

(74) *Attorney, Agent, or Firm* — Cantor Colburn LLP

(22) Filed: **Nov. 29, 2013**

(30) **Foreign Application Priority Data**

May 29, 2013 (KR) 30-2013-0028007

(51) **LOC (10) Cl.** **14-03**

(52) **U.S. Cl.**
USPC **D14/217**

(58) **Field of Classification Search**
USPC D14/142, 149, 155, 157, 167, 168,
D14/170–172, 188, 191–196, 203.1–203.8,
D14/204, 207, 209.1, 210–217, 221, 222,
D14/224, 238.1, 251–253, 432–435.1, 447,
D14/451, 474, 480.1–480.7, 496; D13/107,
D13/108, 118, 133; D3/218; 248/221.11,
248/309.1; 320/107, 110, 113–115;
361/600; 439/529, 534;
455/556.1–556.2, 557; 181/143, 144,
181/147, 148, 150, 153, 157, 198, 199;
381/300–303, 306, 332, 333, 336, 345,
381/361–364, 386–388; 369/6–12

See application file for complete search history.

(57) **CLAIM**

We claim, the ornamental design for a audio device with docking station, as shown and described.

DESCRIPTION

FIG. 1 is the front perspective view of an audio device with docking station showing our new design;
FIG. 2 is the front view thereof;
FIG. 3 is the rear view thereof;
FIG. 4 is the left-side view thereof;
FIG. 5 is the right-side view thereof;
FIG. 6 is the top-side plan view thereof;
FIG. 7 is the bottom-side plan view thereof; and,
FIG. 8 is the front perspective view in which the audio device with docking station illustrates an exemplary environment. The broken lines are for environmental purposes only and form no part of the claimed design.

1 Claim, 8 Drawing Sheets

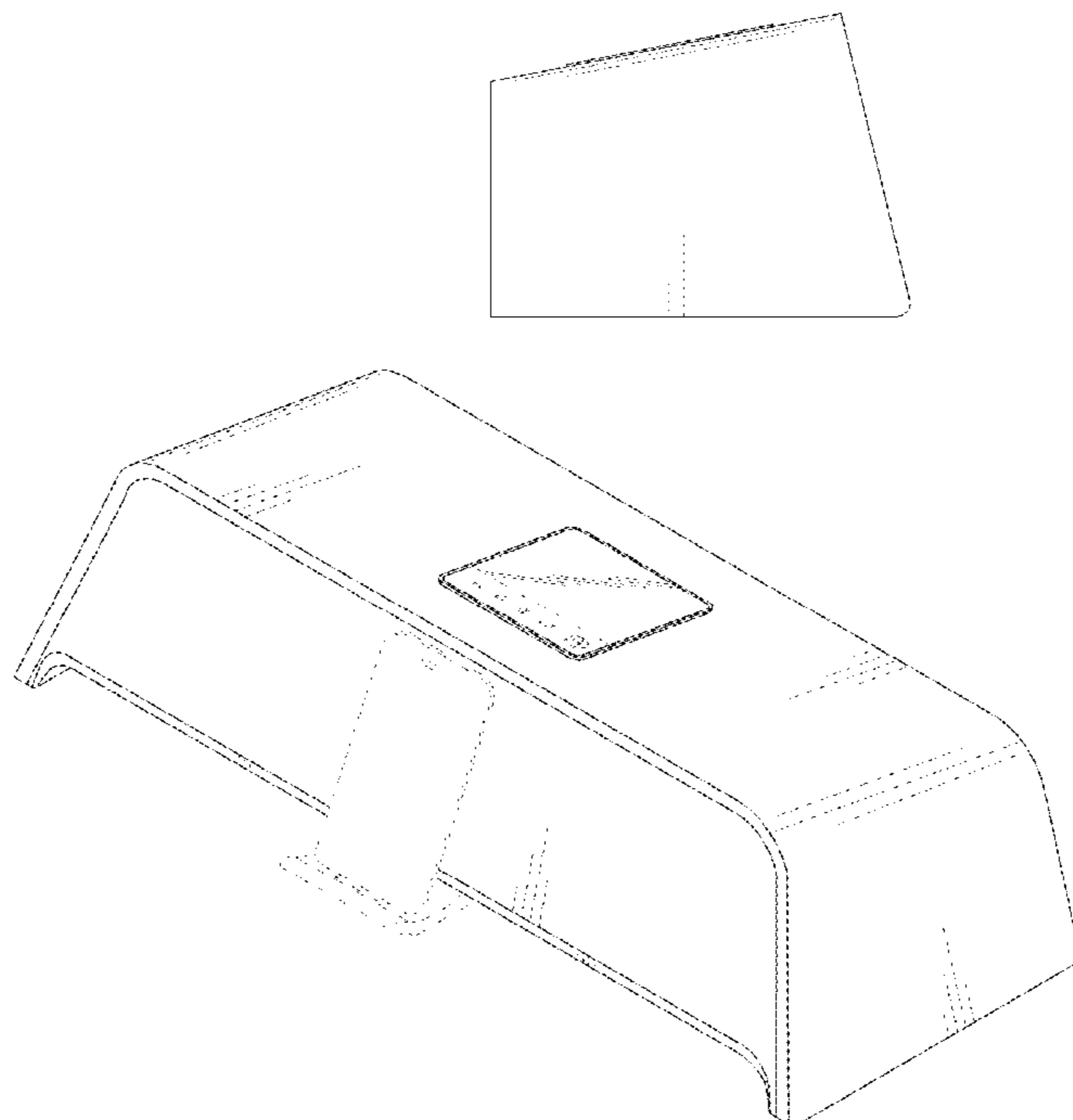


Fig. 1

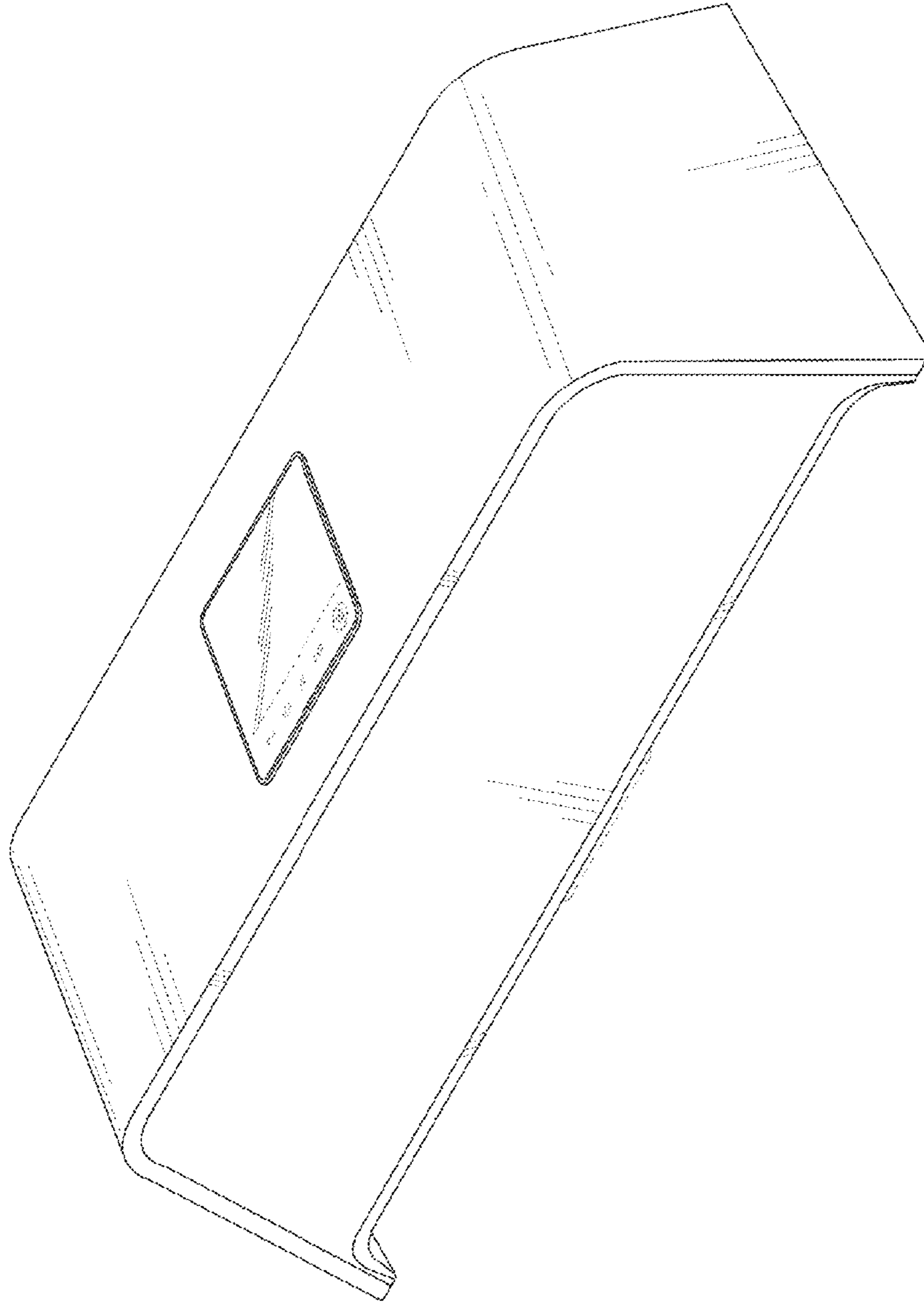


Fig. 2

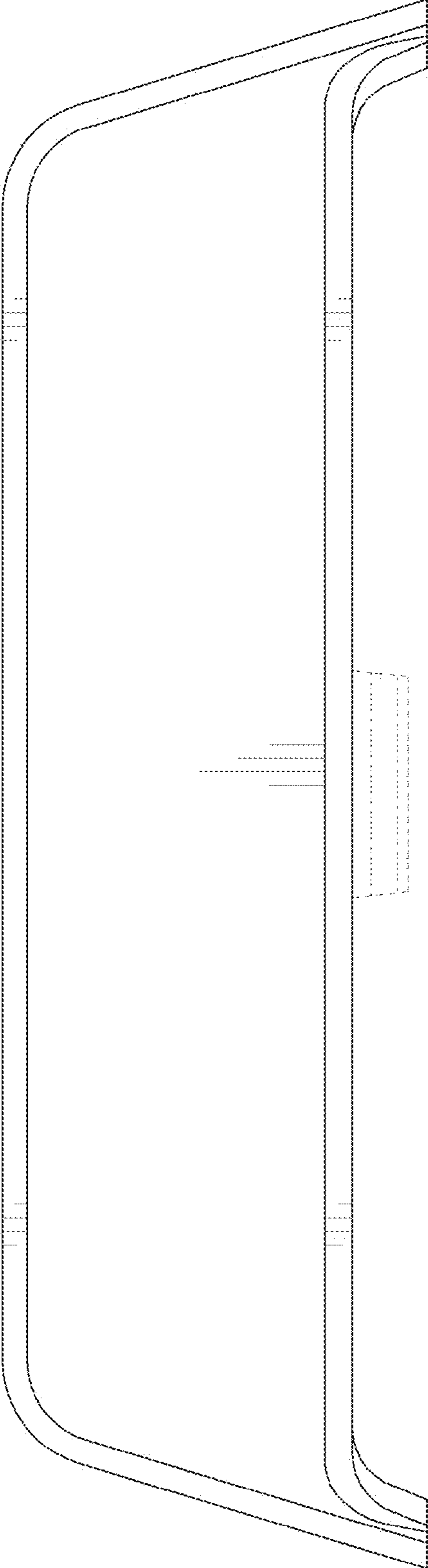


Fig. 3

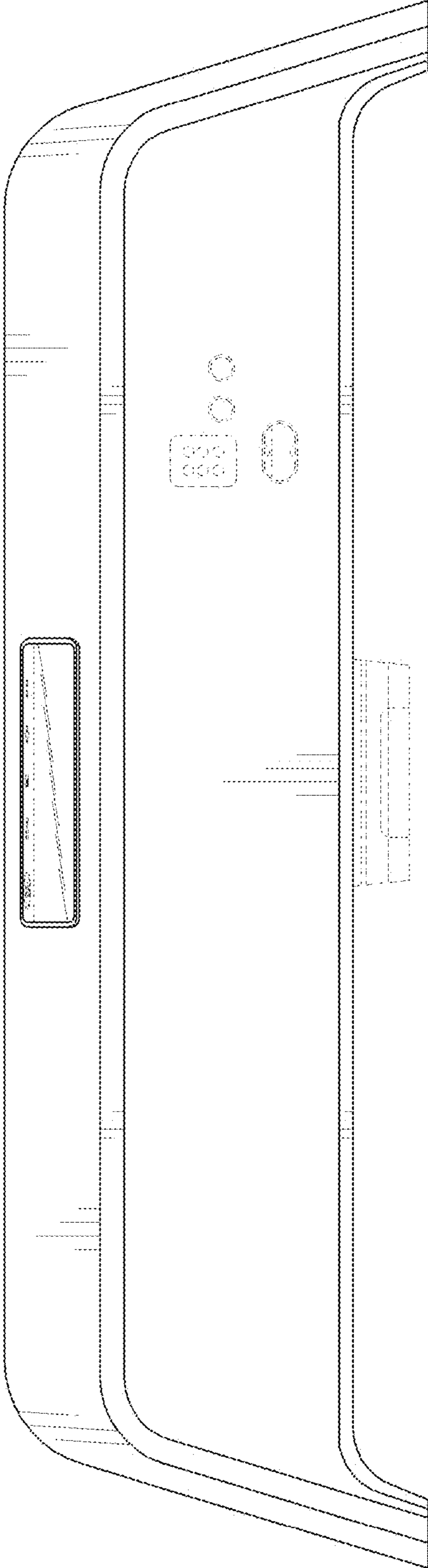


Fig. 4

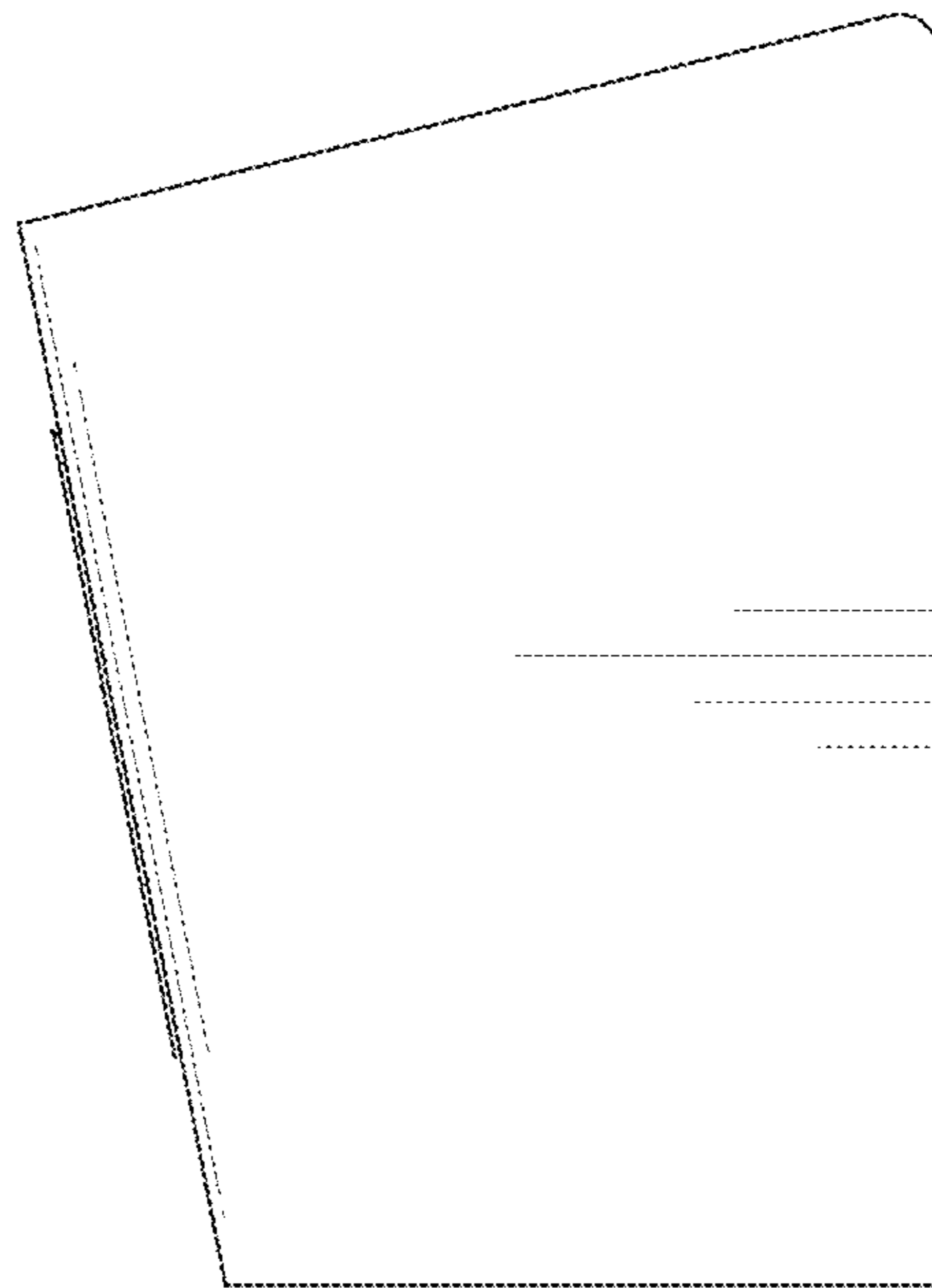


Fig. 5

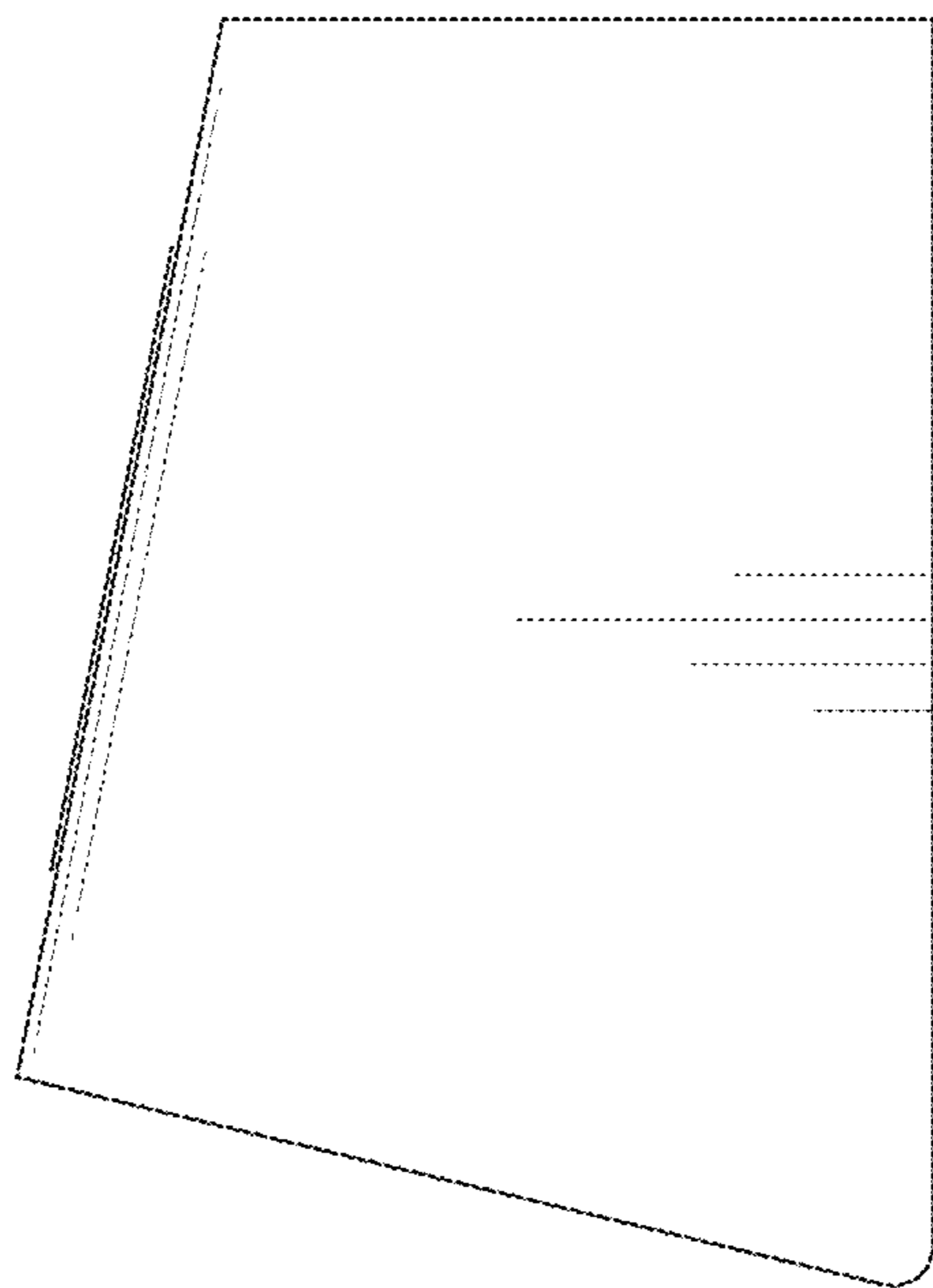


Fig. 6

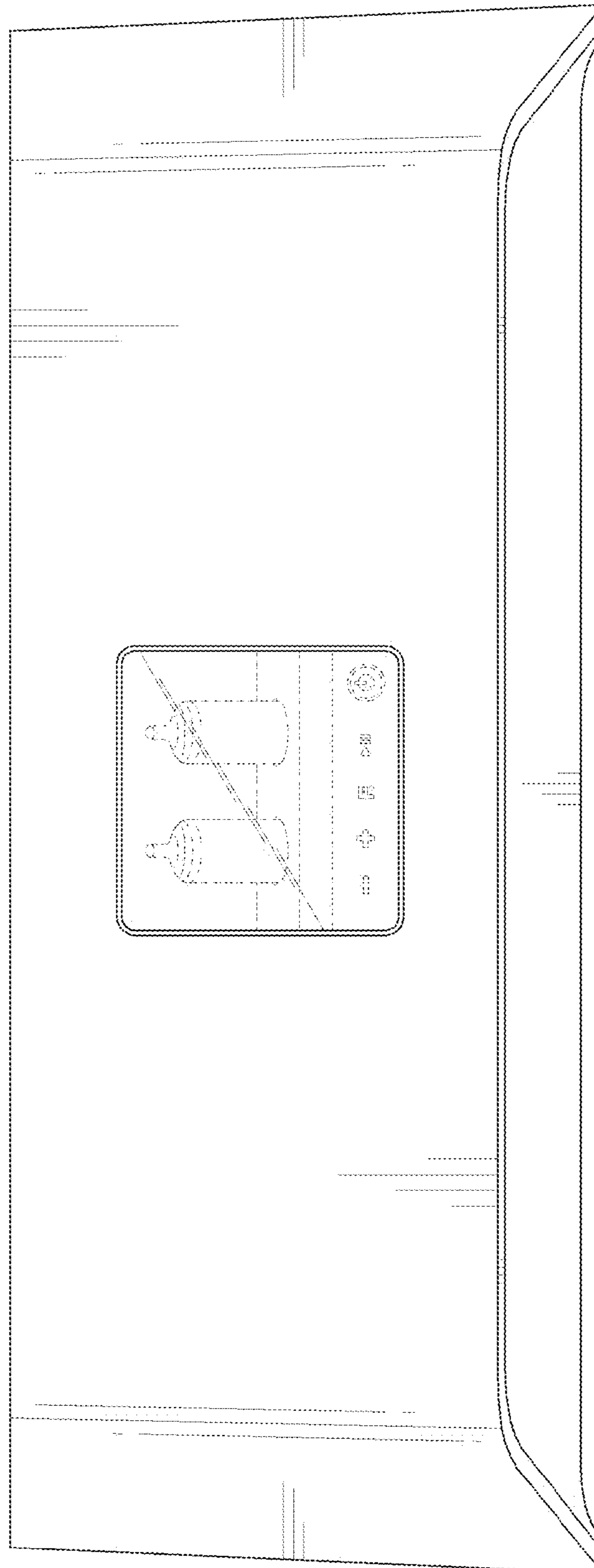


Fig. 7

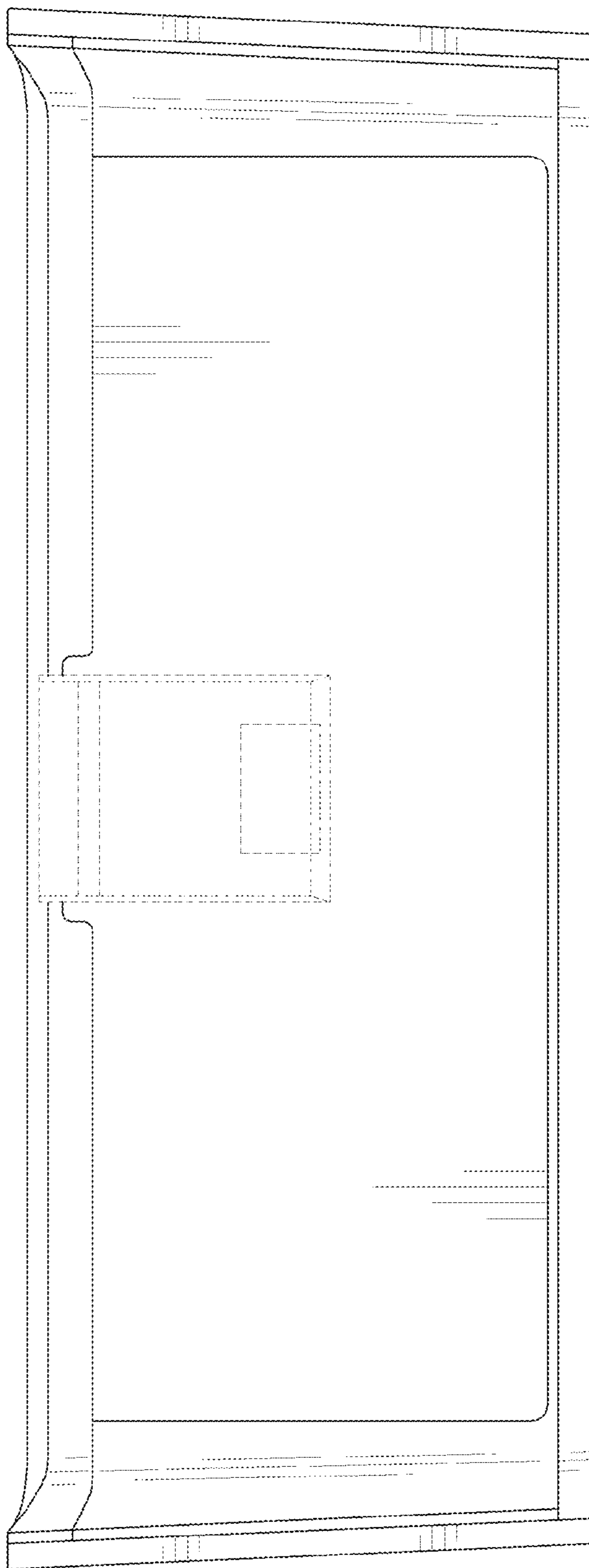


Fig. 8

