



US00D724053S

(12) **United States Design Patent**  
**Breines**

(10) **Patent No.:** **US D724,053 S**  
(45) **Date of Patent:** **\*\* Mar. 10, 2015**

(54) **PORTABLE SPEAKER**

(71) Applicant: **Bright Ideas, Inc.**, Agoura Hills, CA  
(US)

(72) Inventor: **Robert Breines**, Westlake Village, CA  
(US)

(\*\*) Term: **14 Years**

(21) Appl. No.: **29/455,750**

(22) Filed: **May 23, 2013**

(51) **LOC (10) Cl.** ..... **14-01**

(52) **U.S. Cl.**  
USPC ..... **D14/207**

(58) **Field of Classification Search**  
USPC ..... D14/204, 207, 210–216, 172, 209.1;  
181/143, 144, 147, 148, 150–153, 157,  
181/198, 199; 381/300–303, 306, 332, 333,  
381/336, 345, 361–364, 386–388;  
D11/160, 162, 606–609, 832

See application file for complete search history.

(56) **References Cited**

**U.S. PATENT DOCUMENTS**

4,991,688	A *	2/1991	Kery et al.	181/153
5,444,194	A *	8/1995	Reinke	181/150
6,585,556	B2 *	7/2003	Smirnov	446/175
D528,536	S *	9/2006	Topping	D14/207
D529,897	S *	10/2006	Topping	D14/207

D530,308	S *	10/2006	Topping	D14/207
D647,146	S *	10/2011	Islava	D21/576
D690,285	S *	9/2013	Breines	D14/207
D699,706	S *	2/2014	Di Rocco	D14/207
D699,707	S *	2/2014	Di Rocco	D14/207

\* cited by examiner

*Primary Examiner* — Prabhakar Deshmukh

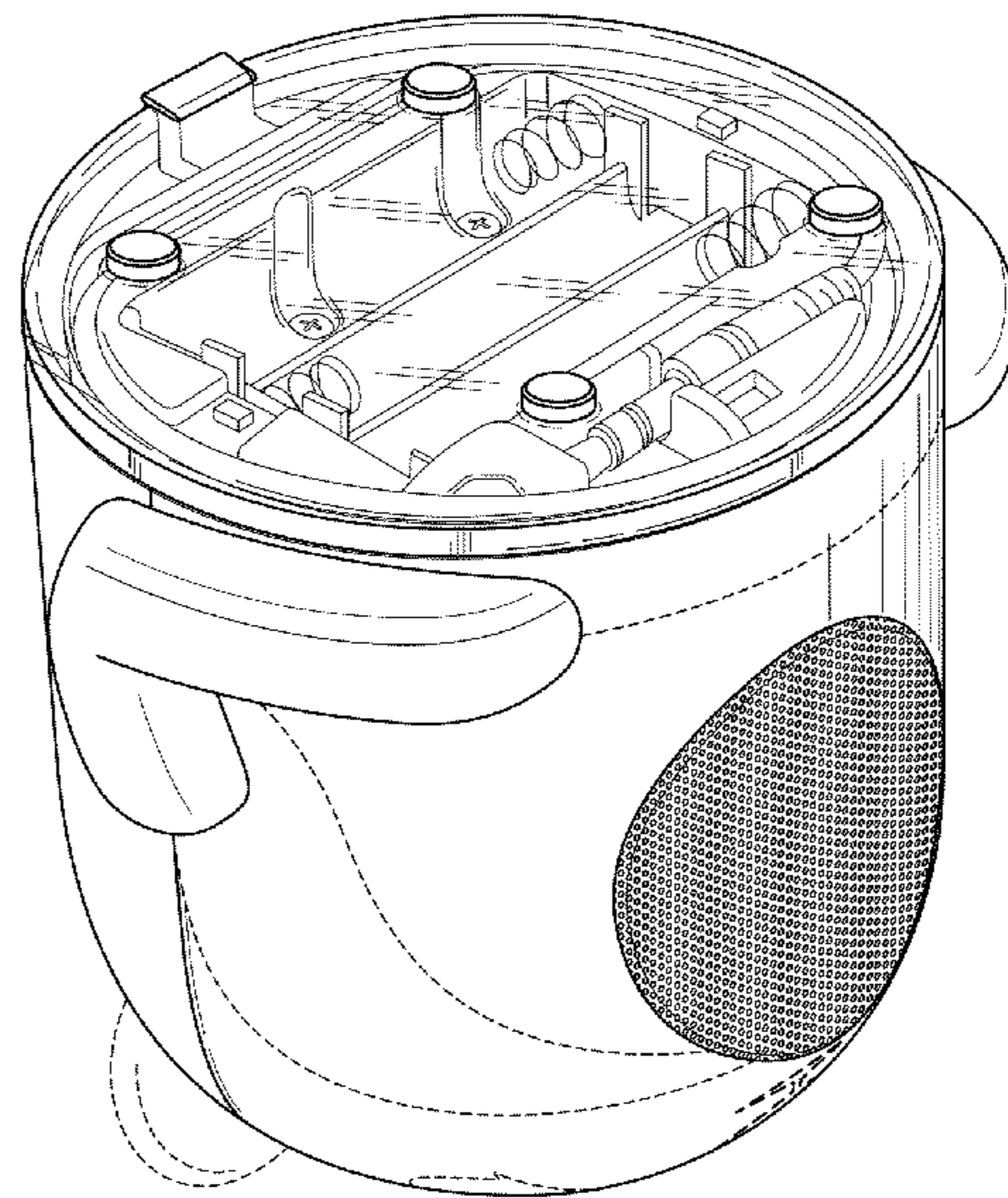
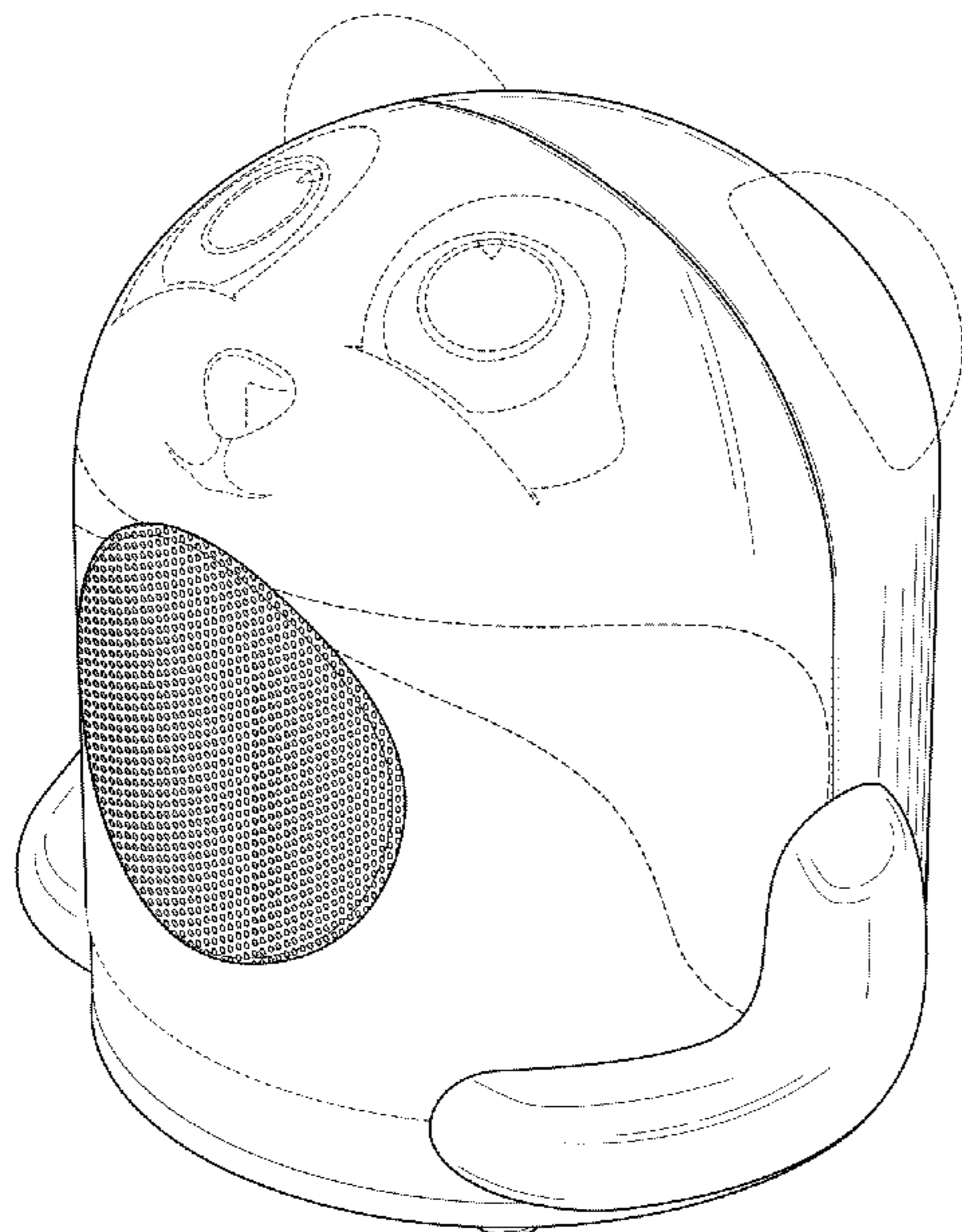
(57) **CLAIM**

I claim the ornamental design for a portable speaker, as shown and described.

**DESCRIPTION**

FIG. 1 is a front perspective view of a portable speaker, showing my new design with a battery compartment door in a closed configuration;  
 FIG. 2 is a front elevational view of FIG. 1;  
 FIG. 3 is a rear elevational view of FIG. 1;  
 FIG. 4 is a right-side elevational view of FIG. 1;  
 FIG. 5 is a left-side elevational view of FIG. 1;  
 FIG. 6 is a top plan view of FIG. 1;  
 FIG. 7 is a bottom plan view of FIG. 1;  
 FIG. 8 is a bottom perspective view thereof, illustrated with the battery compartment door in an open configuration, and an audio cable in a stowed position; and,  
 FIG. 9 is a bottom perspective view of FIG. 1.  
 The broken lines illustrate the unclaimed portions and form no part of the claimed design.

**1 Claim, 5 Drawing Sheets**



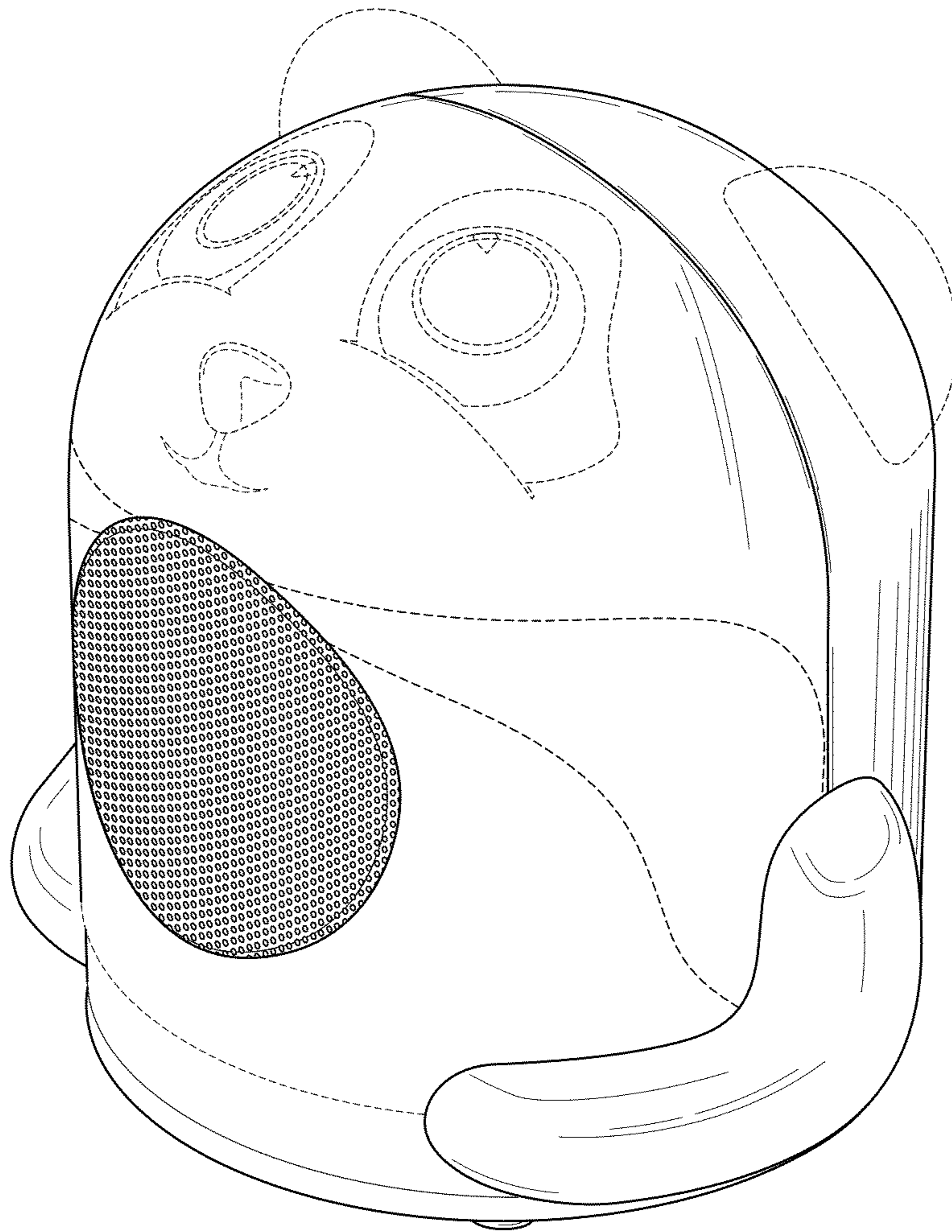


FIG. 1

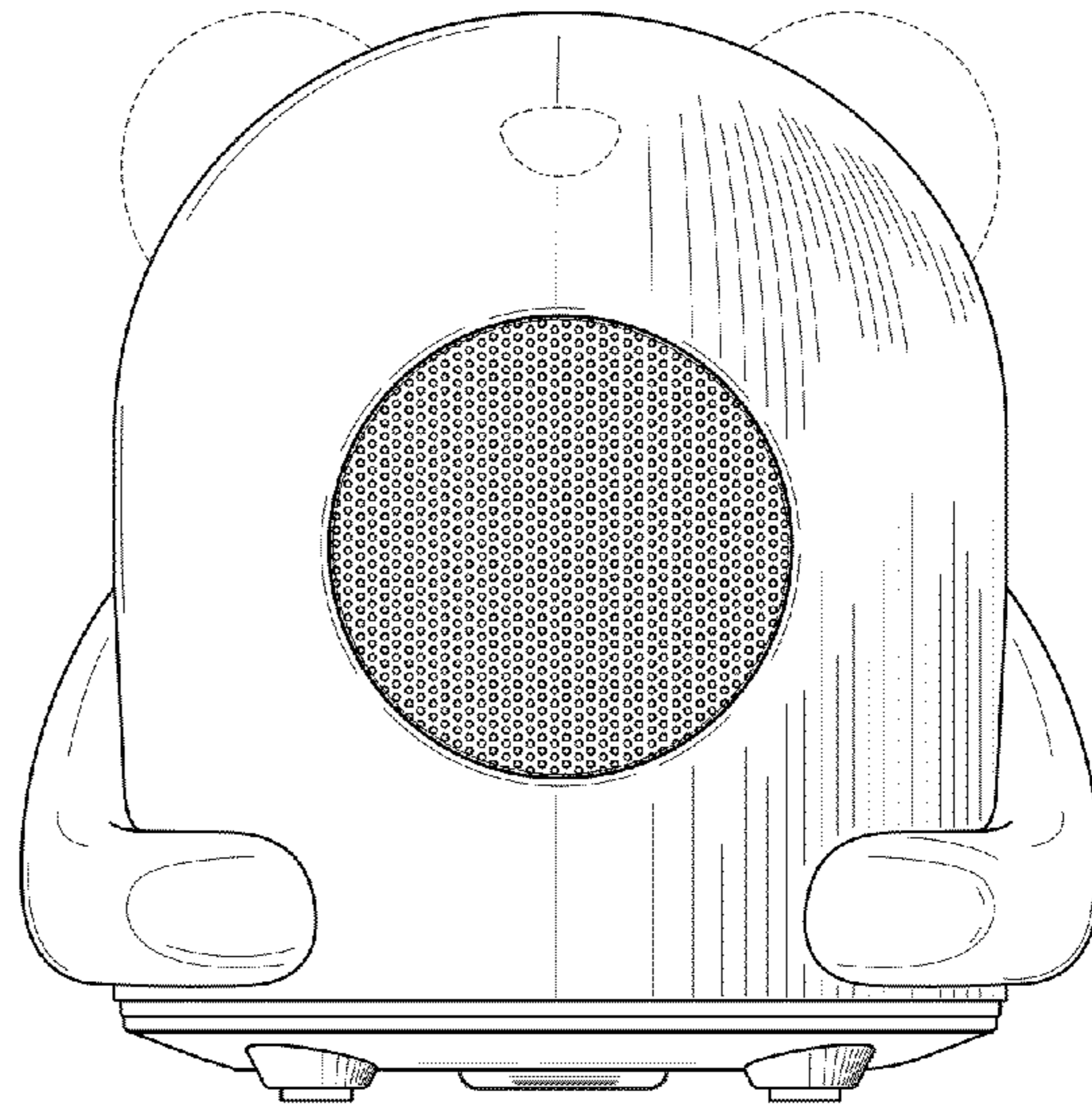


FIG. 2

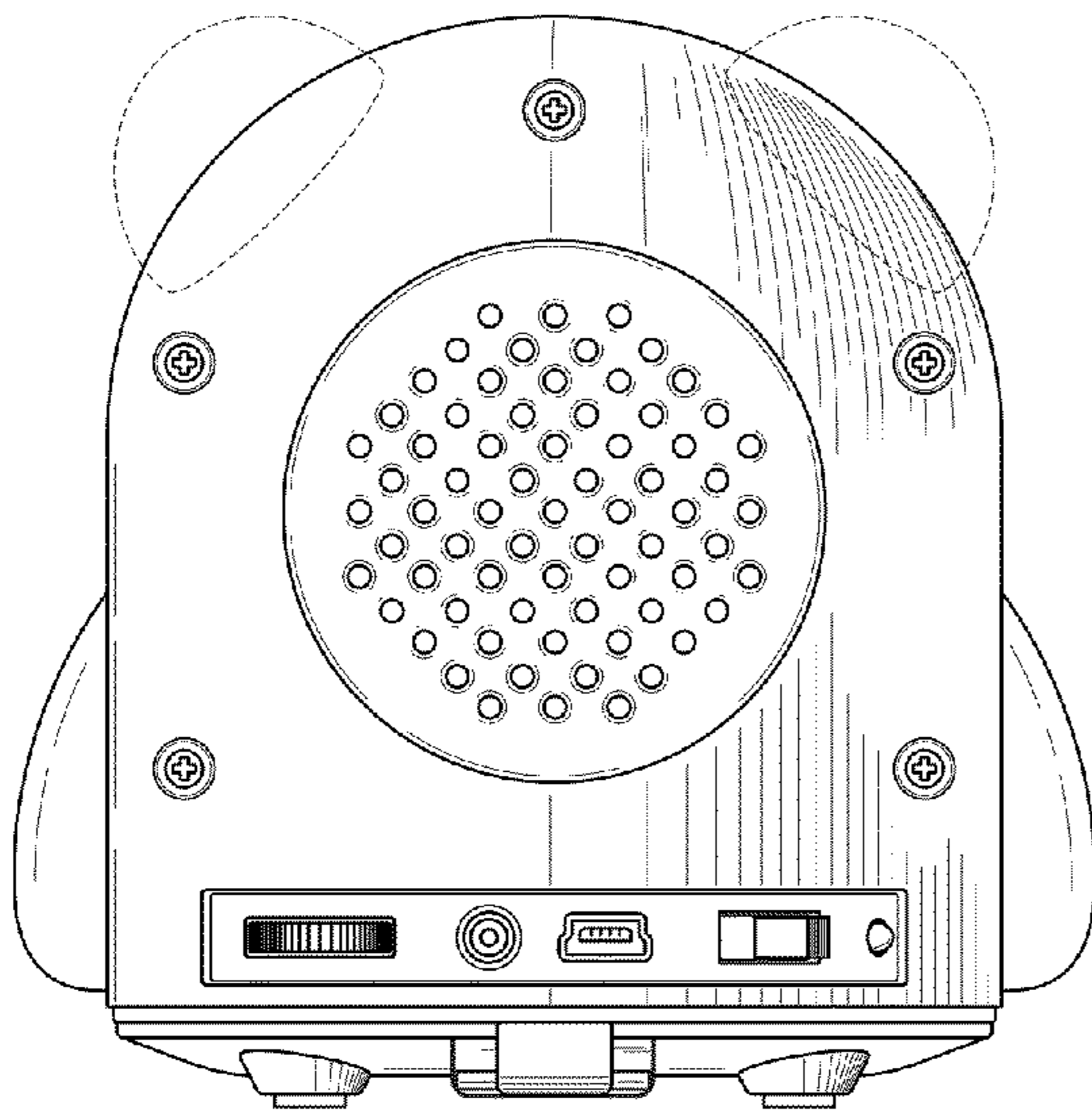


FIG. 3

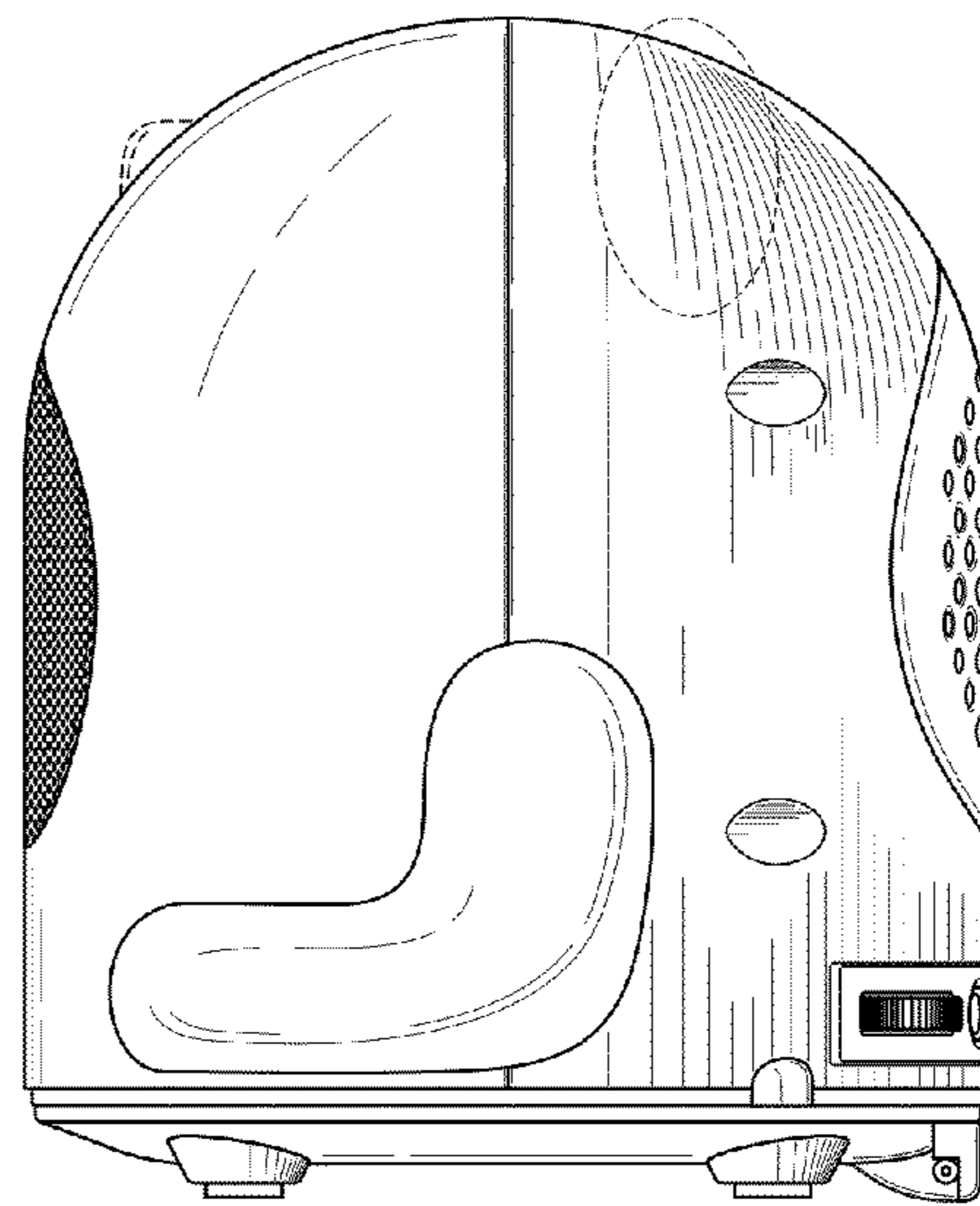


FIG. 4

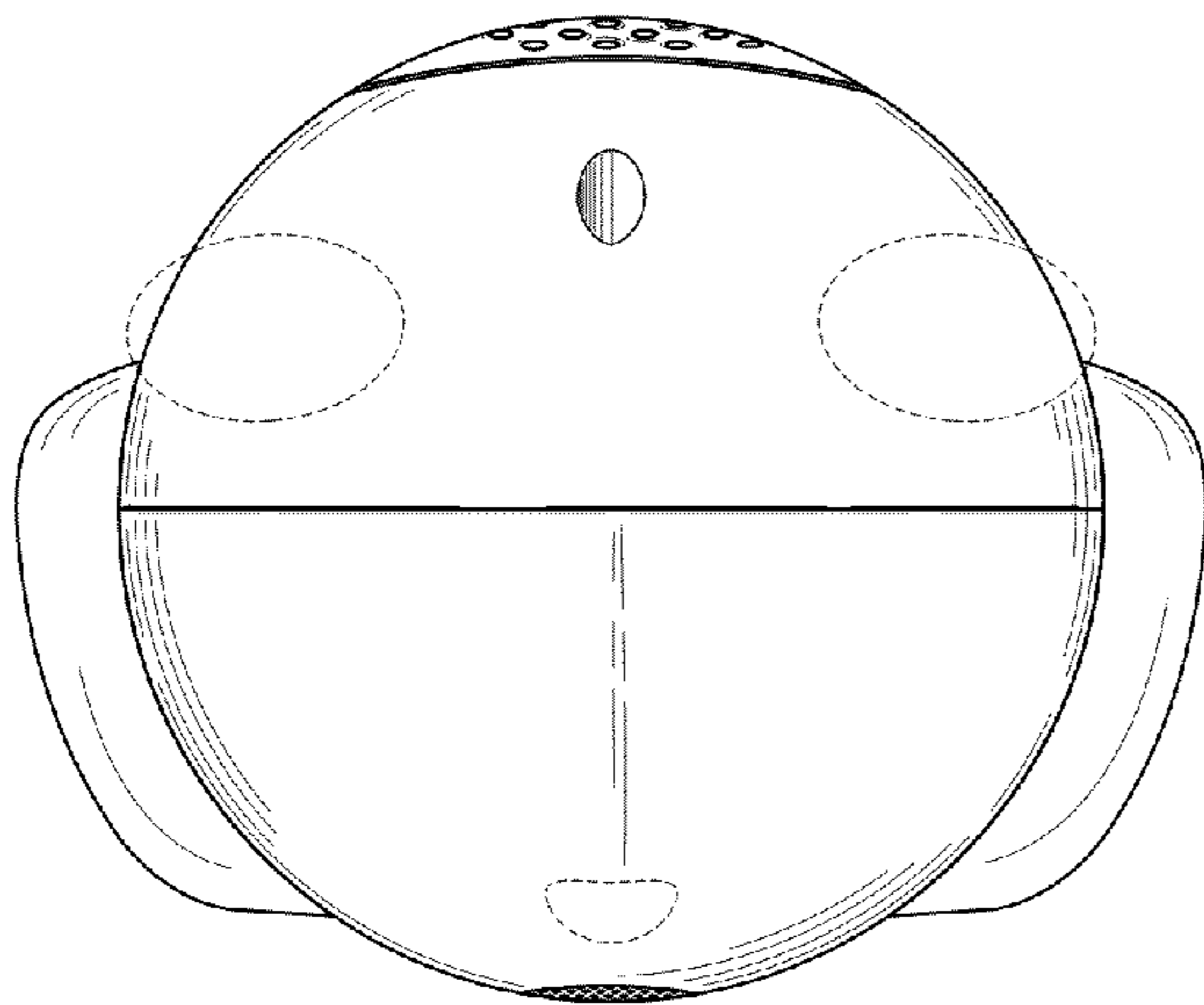


FIG. 6

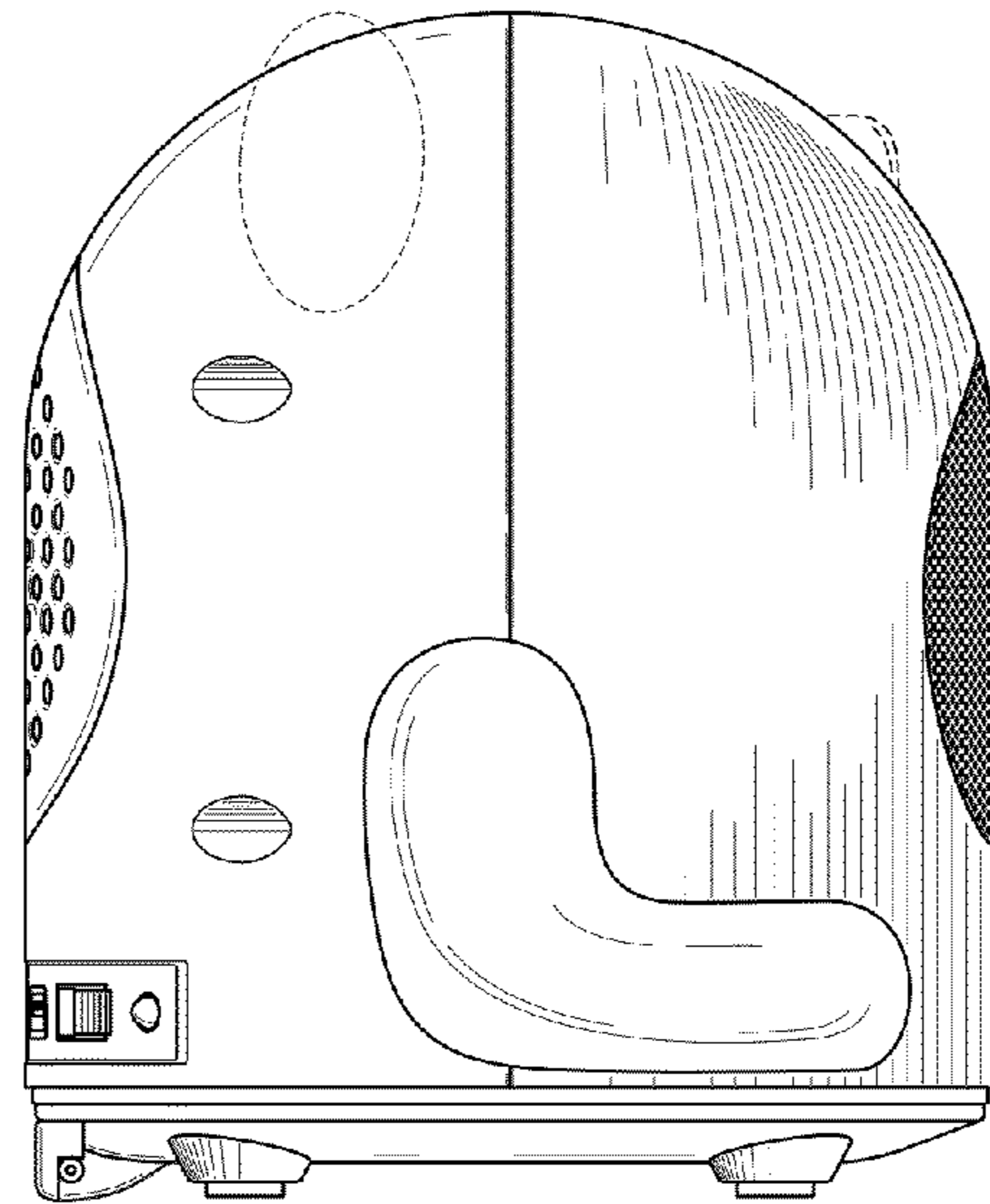


FIG. 5

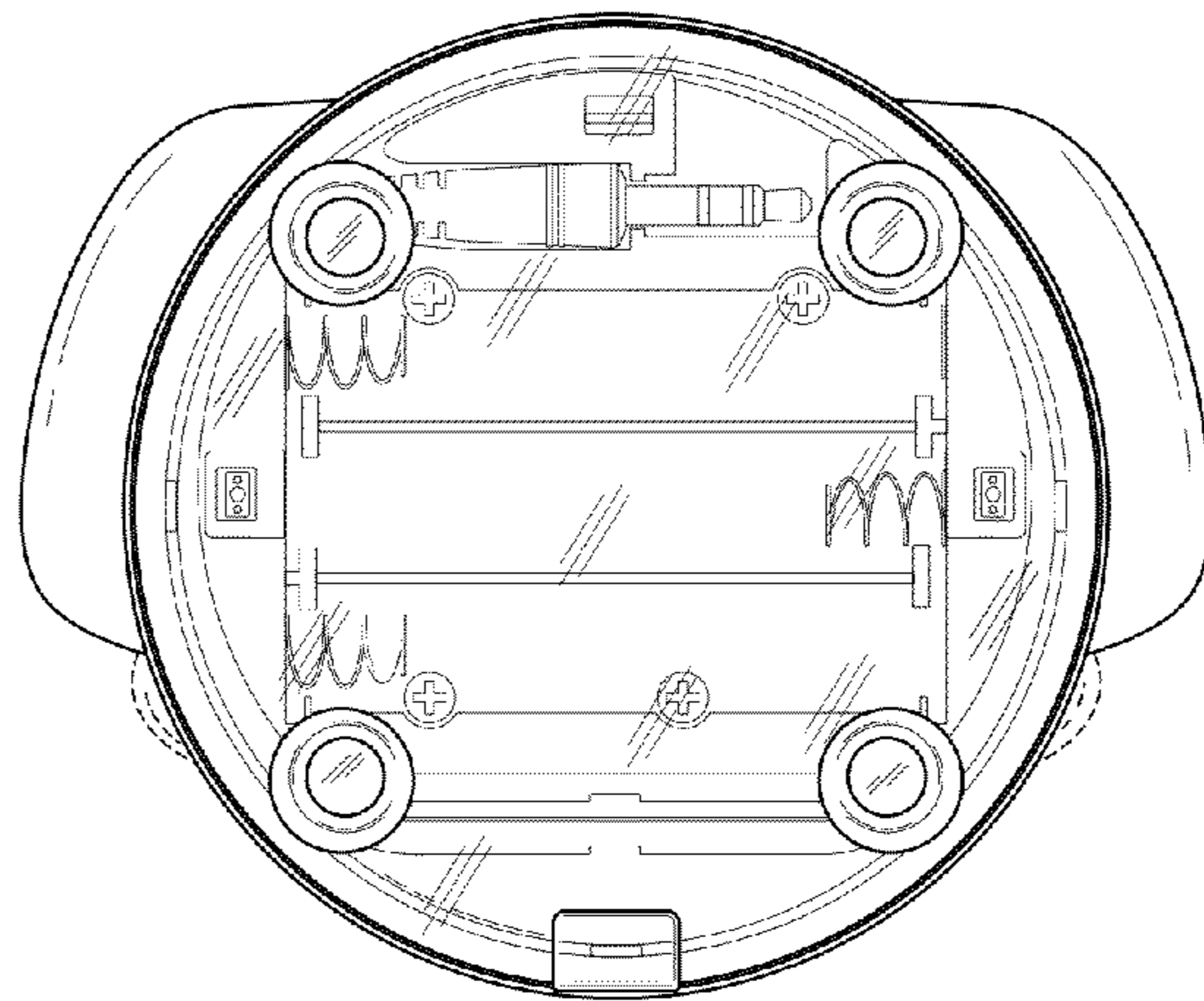


FIG. 7

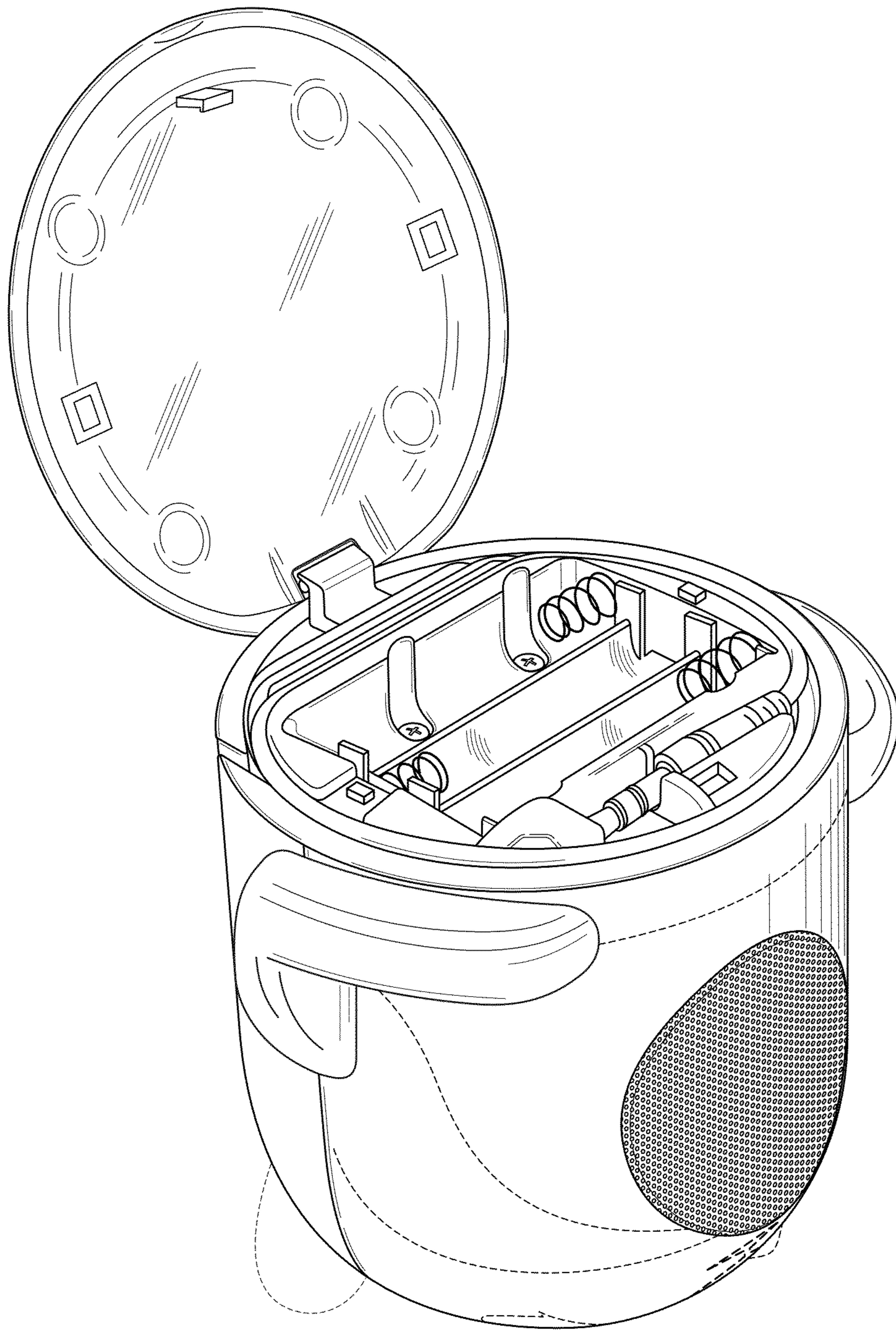


FIG. 8

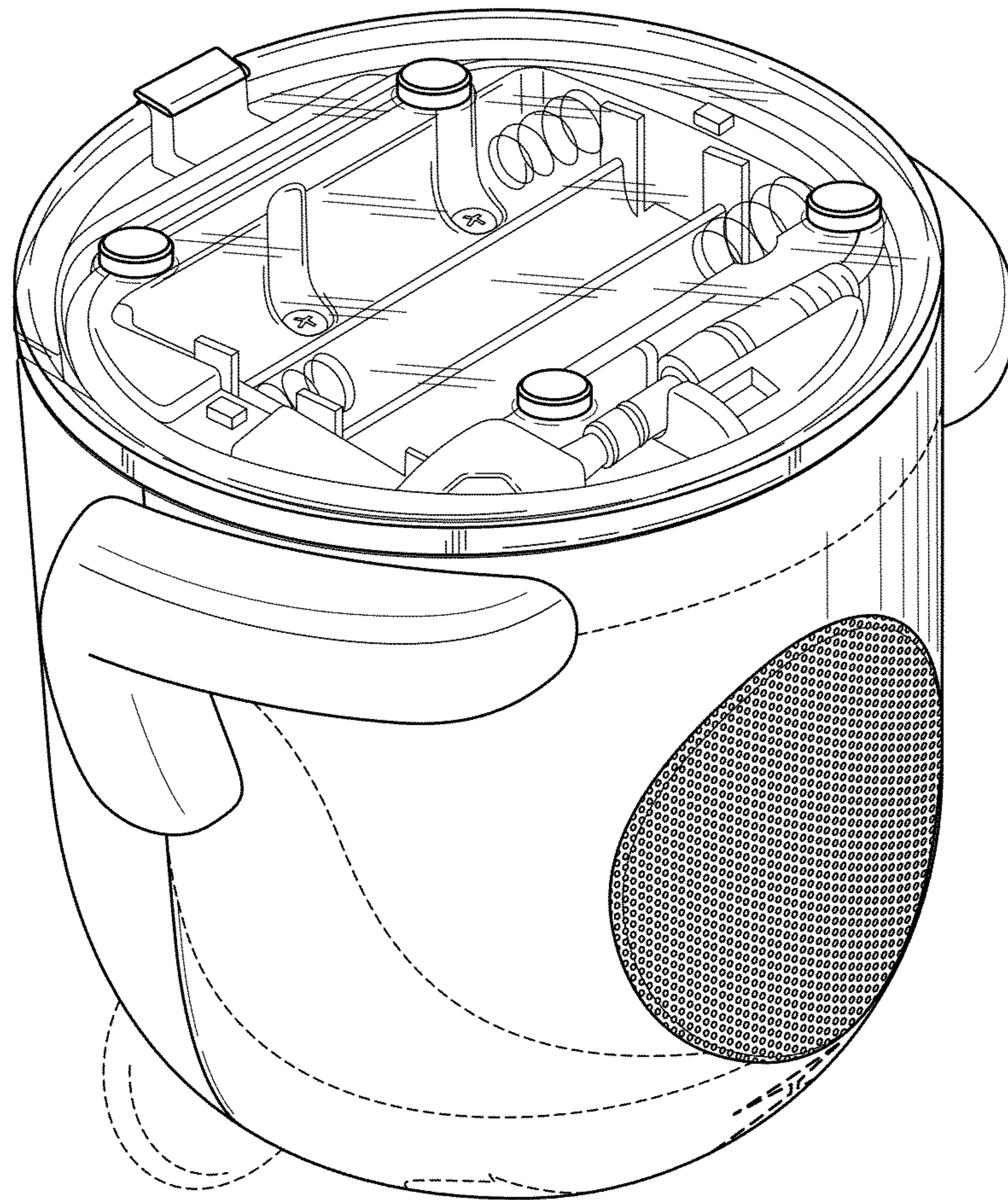


FIG. 9