



US00D724050S

(12) **United States Design Patent**
Sogabe

(10) **Patent No.:** **US D724,050 S**
(45) **Date of Patent:** **** Mar. 10, 2015**

(54) **TUNER**
(75) Inventor: **Takashi Sogabe**, Tokyo (JP)
(73) Assignee: **Sony Computer Entertainment Inc.**, Tokyo (JP)

7,534,523 B2 * 5/2009 Ishihara et al. 429/98
D611,061 S * 3/2010 Nam et al. D14/510
7,687,711 B2 * 3/2010 Kutaragi et al. 174/50
D615,101 S * 5/2010 Nam et al. D14/499
D626,554 S 11/2010 Sogabe

(Continued)

(**) Term: **14 Years**
(21) Appl. No.: **29/421,509**
(22) Filed: **Aug. 6, 2012**

FOREIGN PATENT DOCUMENTS

AU 325168 S 3/2009
CN 302725966 * 1/2014
EM 375332-0001 S 7/2005

OTHER PUBLICATIONS

Web page, "PlayStation 3" http://scei.co.jp/media/h_ps3_20GB.html, 1 sheet, Sony Computer Entertainment Inc., 2012.

(Continued)

(30) **Foreign Application Priority Data**
Mar. 16, 2012 (JP) D2012-006026

(51) **LOC (10) Cl.** **14-03**

(52) **U.S. Cl.**
USPC **D14/188**

(58) **Field of Classification Search**
USPC D13/103, 106, 184; D14/132, 133, 137,
D14/138 AB, 155, 188, 193, 196, 203.4,
D14/210, 211, 213, 214, 221, 242, 243, 257,
D14/258, 265, 315, 321, 345, 348, 351, 353,
D14/358, 433, 496, 498, 500-503; D26/72,
D26/104, 118; 359/258; 375/222; 379/25,
379/93.09, 93.19, 156, 220.01, 221.09, 338,
379/339, 441; 455/557; 711/100, 115;
720/270, 658, 691; 725/111
See application file for complete search history.

Primary Examiner — Stella Reid
Assistant Examiner — Janice Lim
(74) *Attorney, Agent, or Firm* — Rader, Fishman & Grauer PLLC

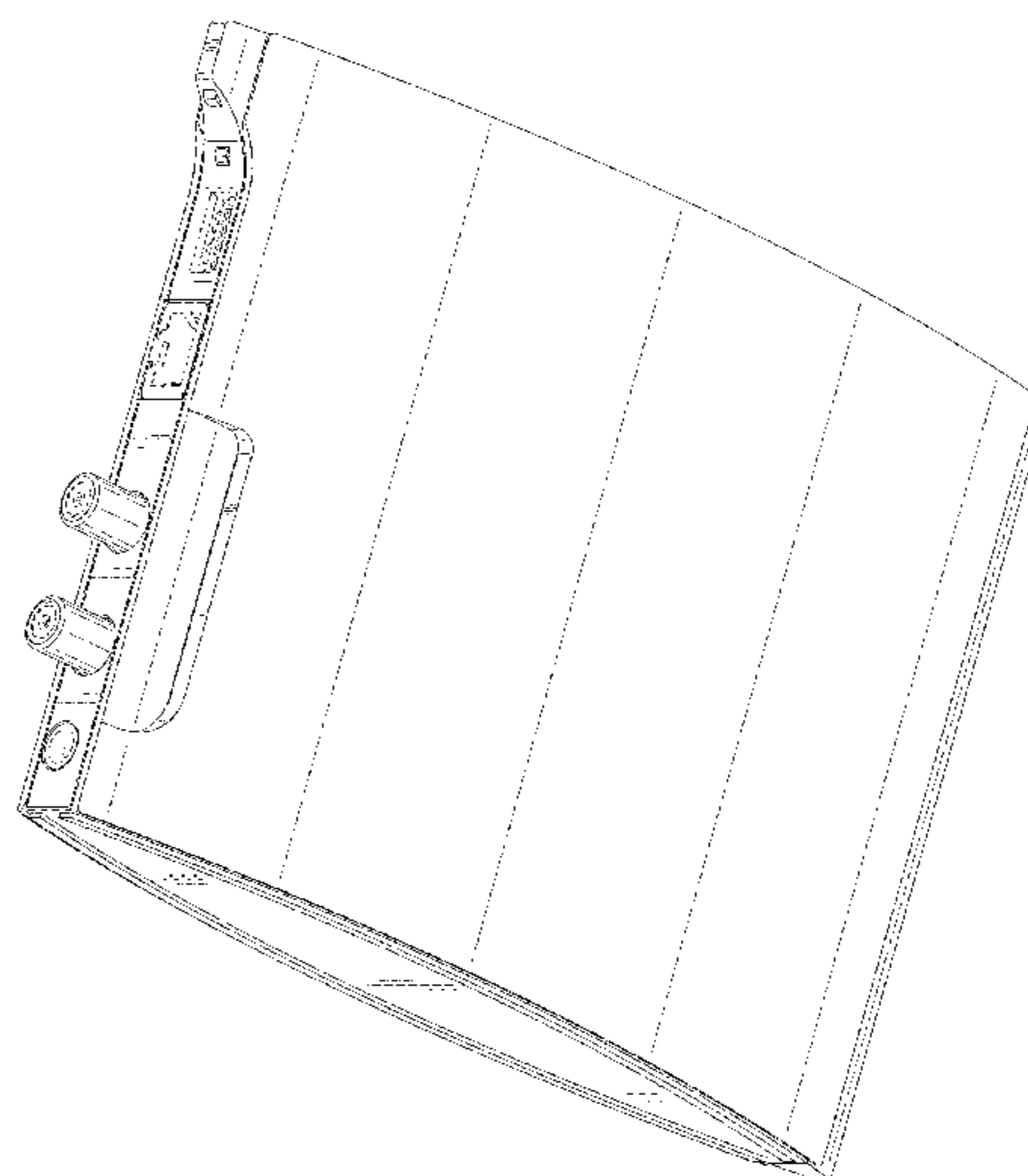
(57) **CLAIM**
The ornamental design for a tuner, as shown and described.

DESCRIPTION

FIG. 1 is a front, top, left perspective view of a tuner showing my new design;
FIG. 2 is a rear, bottom, right perspective view thereof;
FIG. 3 is a front elevational view thereof;
FIG. 4 is a rear elevational view thereof;
FIG. 5 is a left side elevational view thereof;
FIG. 6 is a right side elevational view thereof;
FIG. 7 is a top plan view thereof; and,
FIG. 8 is a bottom plan view thereof.
The broken line portions of FIGS. 2 and 6 are included to show unclaimed subject matter only and forms no part of the claimed design.

1 Claim, 6 Drawing Sheets

(56) **References Cited**
U.S. PATENT DOCUMENTS
D394,266 S * 5/1998 Hogenbirk D14/240
D457,153 S * 5/2002 Allen D14/168
D467,915 S 12/2002 Wada
D478,332 S 8/2003 Wada
D500,299 S * 12/2004 Obata D14/500
D526,612 S * 8/2006 Sugeno et al. D13/103
D532,784 S 11/2006 Kutaragi et al.
D534,166 S * 12/2006 Kutaragi et al. D14/356
D539,262 S * 3/2007 Hyodo D14/507



(56)

References Cited

U.S. PATENT DOCUMENTS

D635,583 S 4/2011 Otani
2013/0271671 A1* 10/2013 Sogabe 348/731
2013/0306399 A1* 11/2013 Swan et al. 181/199

OTHER PUBLICATIONS

Office Action issued in Russian Patent Application No. 2012502724,
dated Apr. 18, 2013.

Office Action issued in Russian Design Application No. 2012502724
dated Feb. 1, 2013.

* cited by examiner

FIG.1

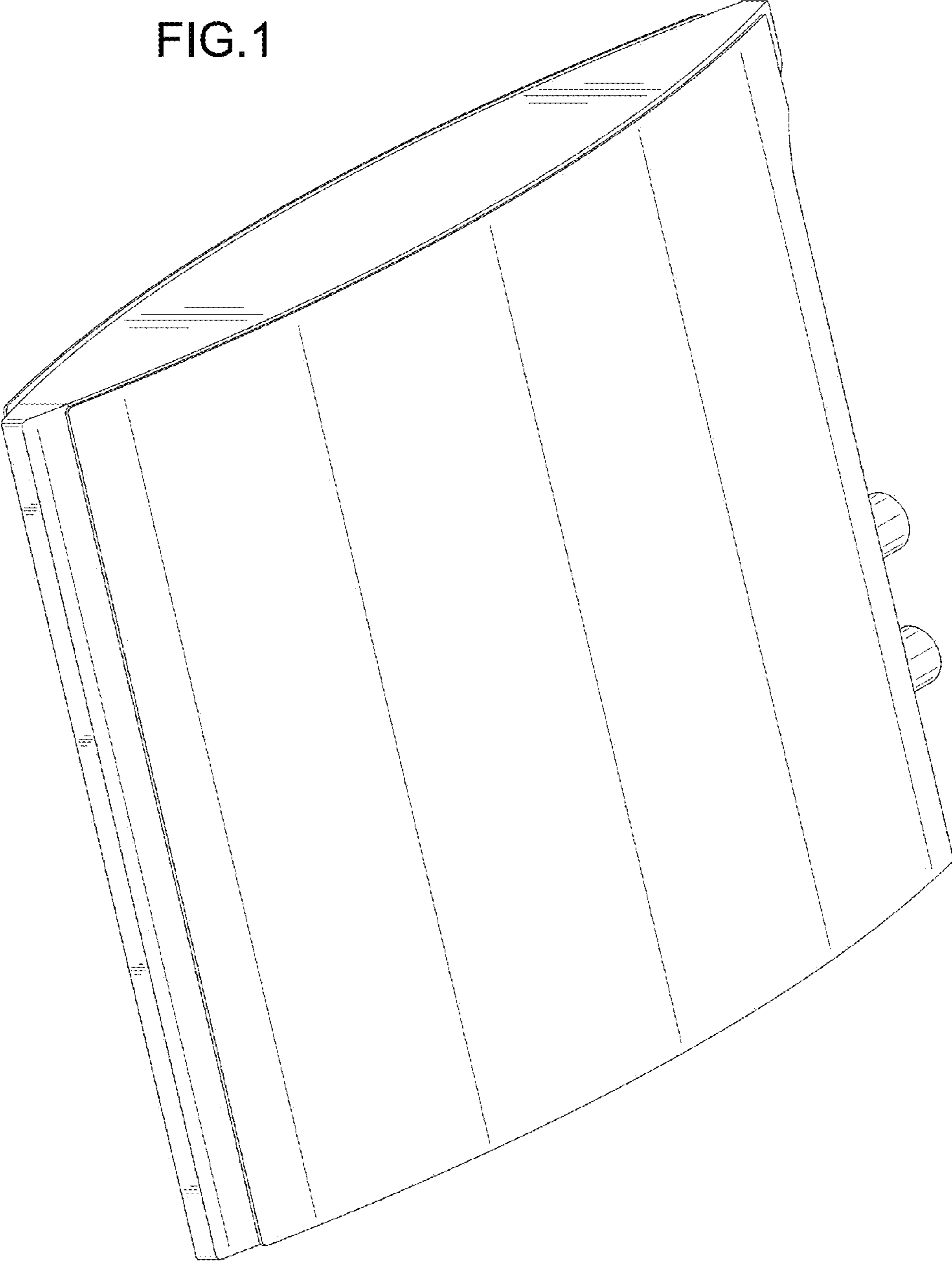


FIG.2

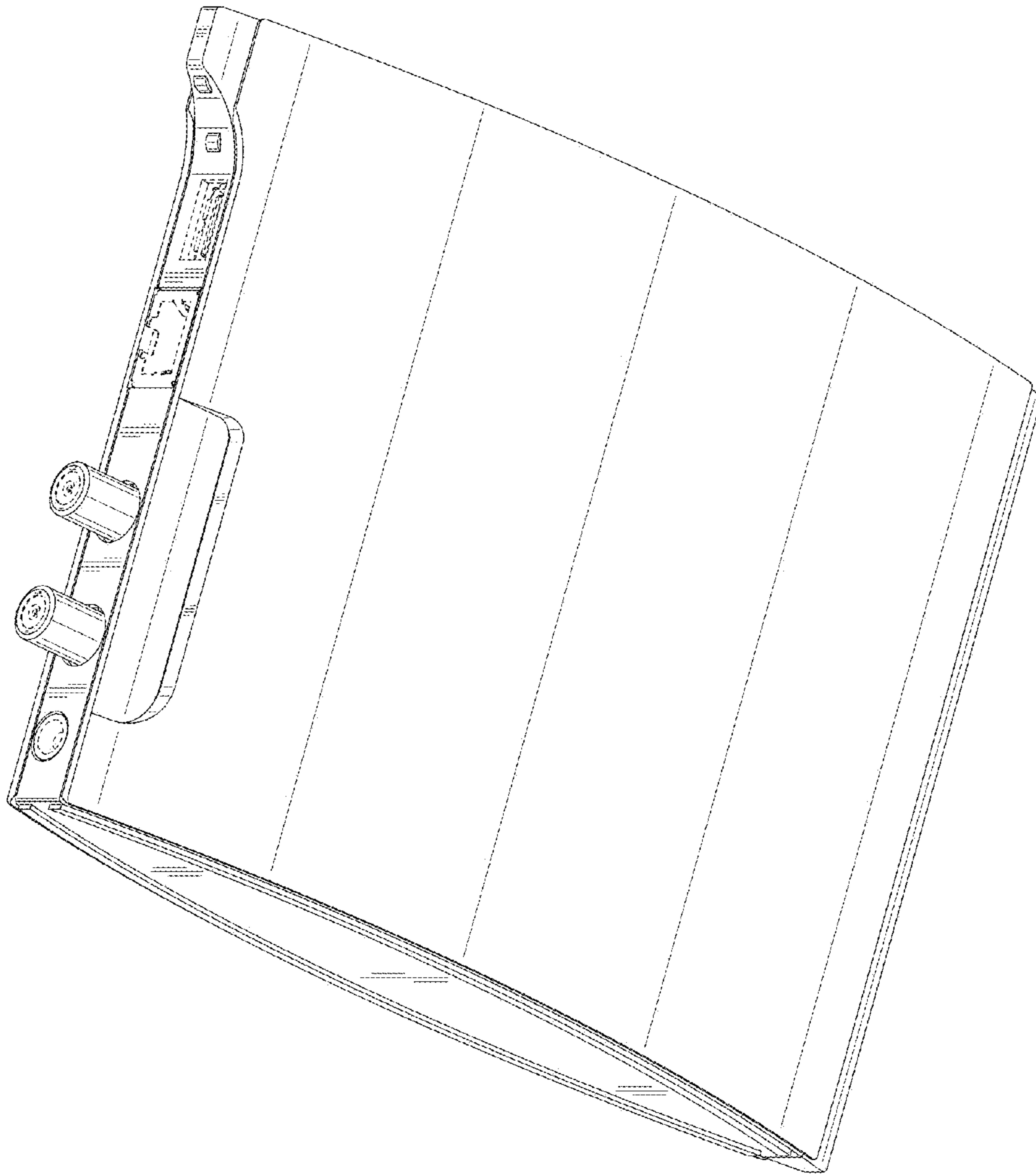


FIG.3

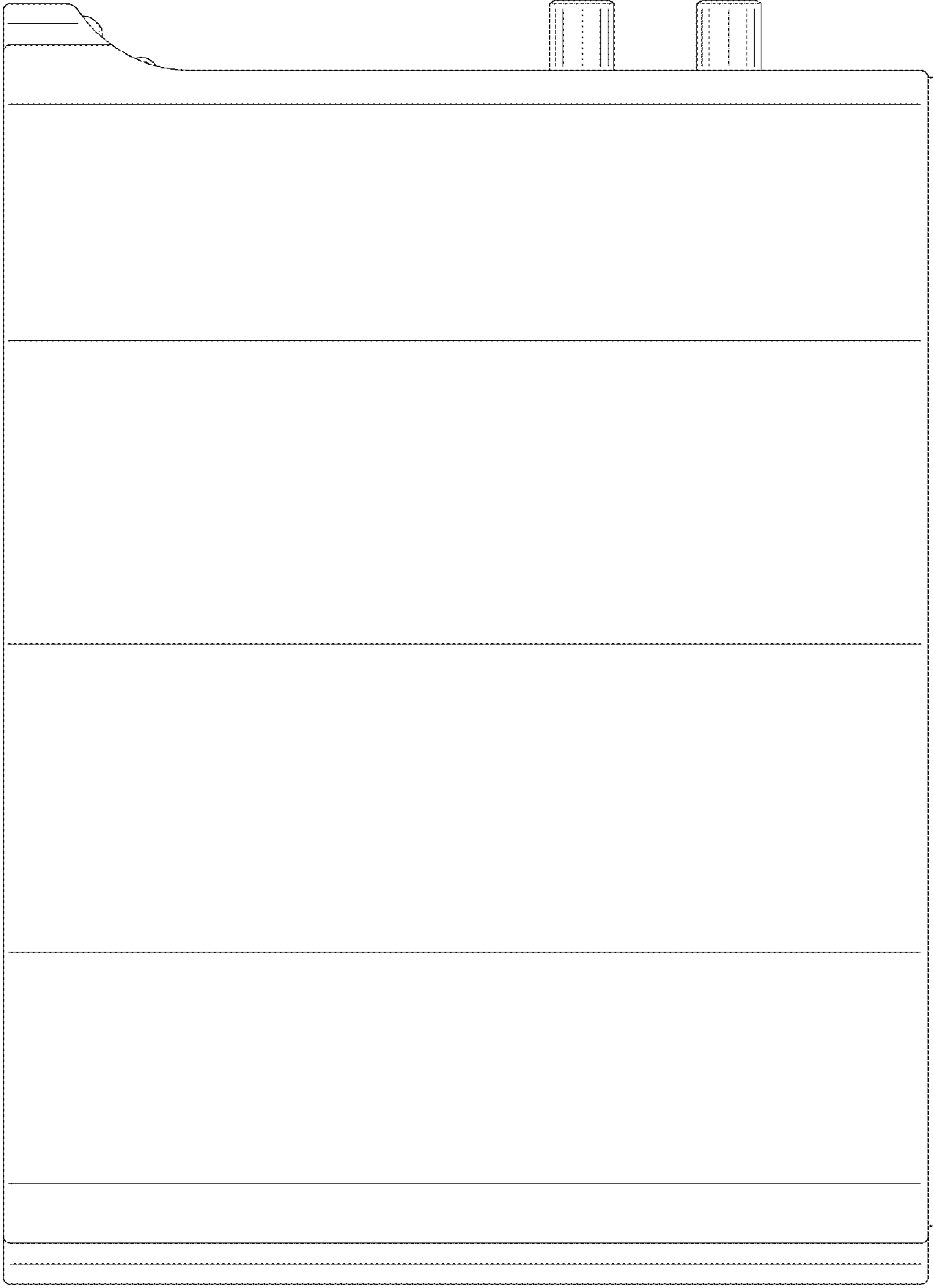


FIG.4

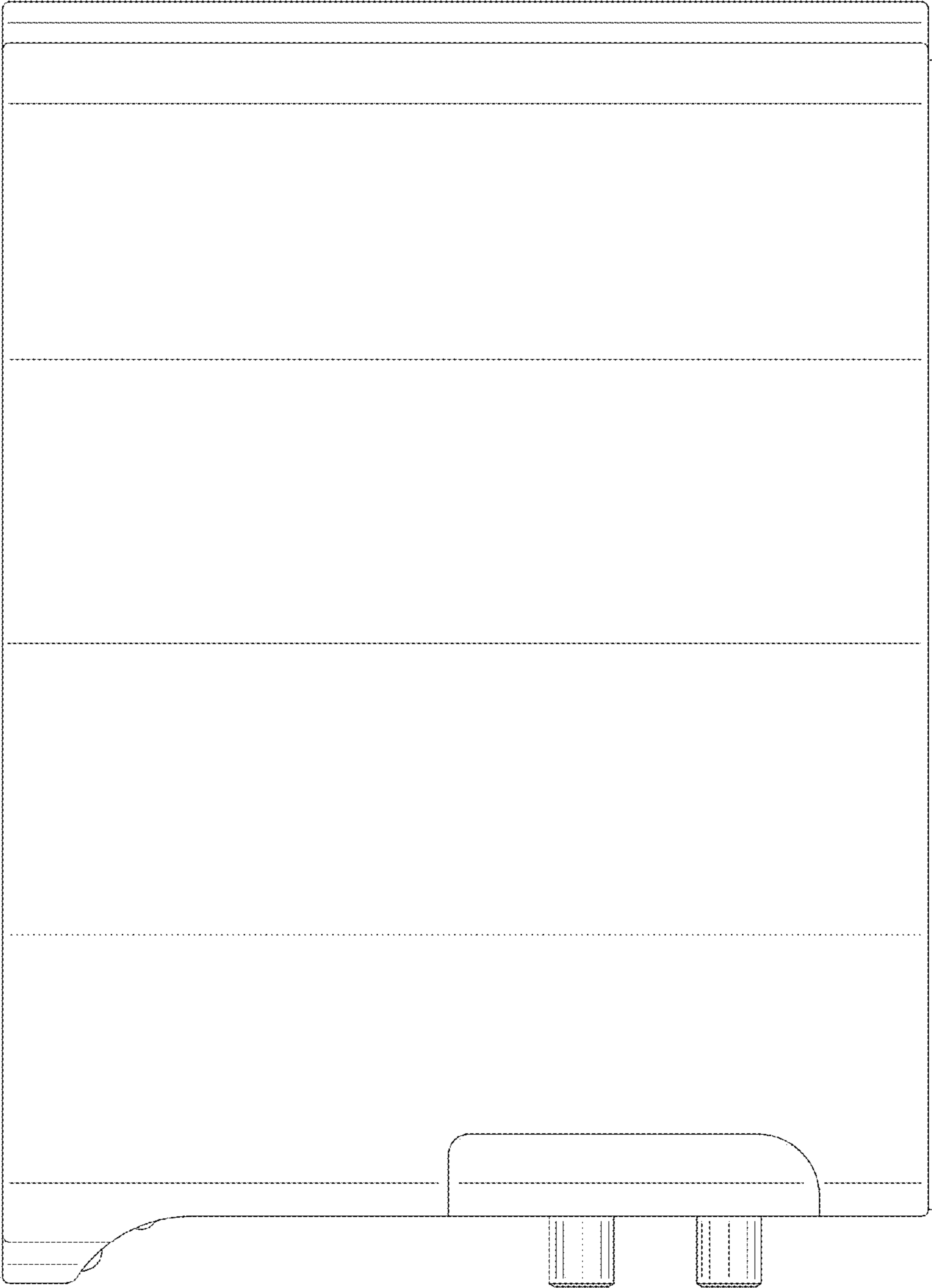


FIG.5

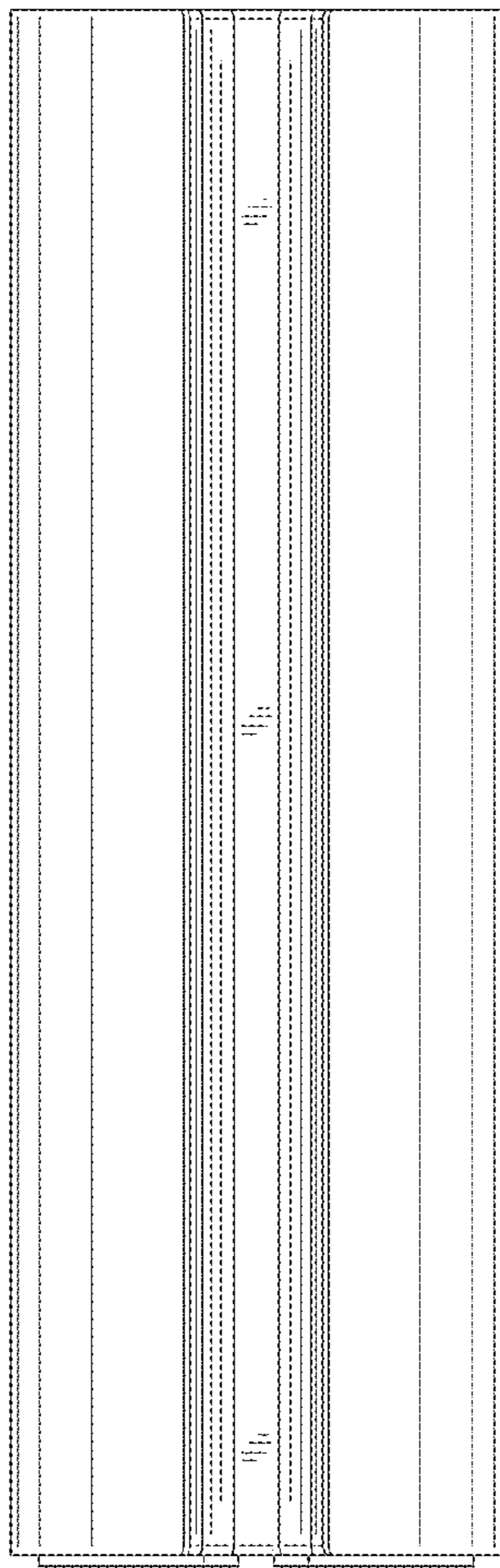


FIG.6

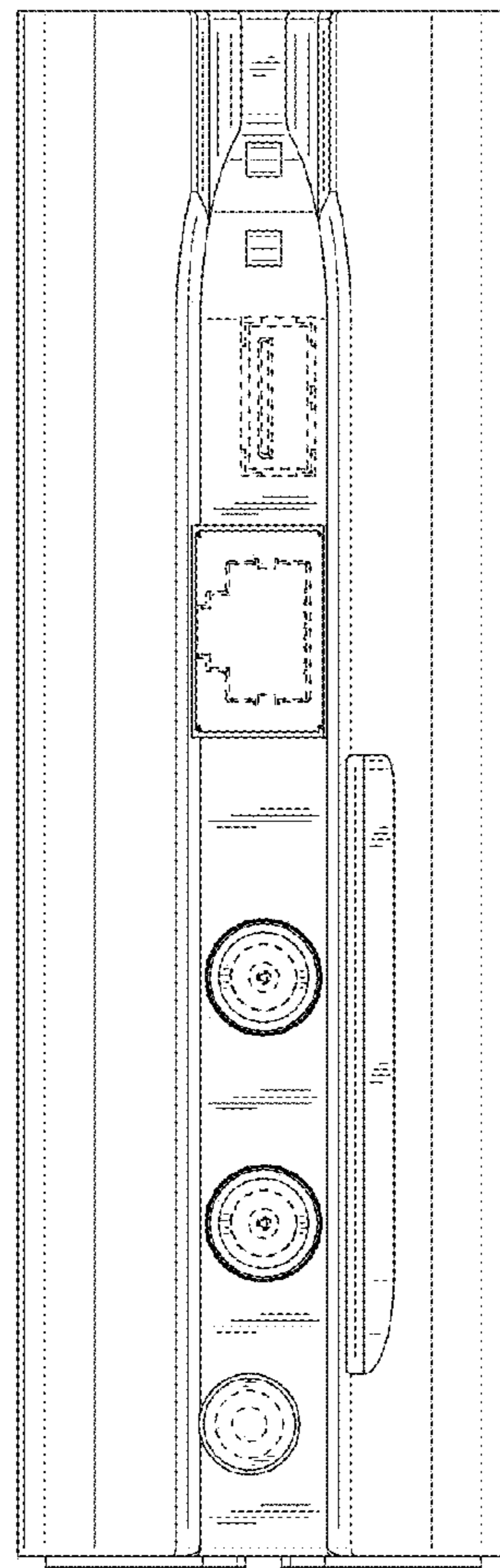


FIG.7

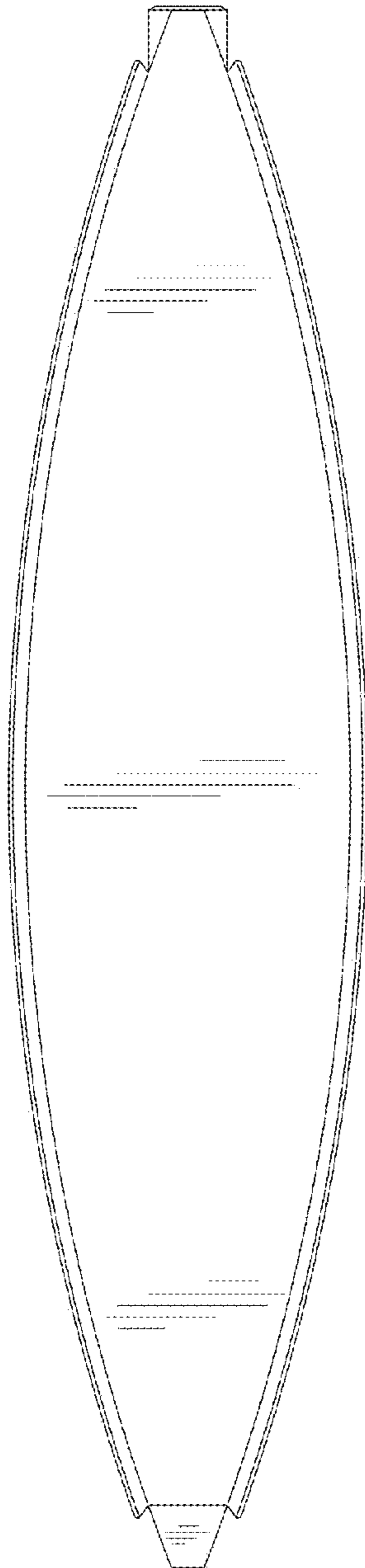


FIG.8

