



US00D724042S

(12) **United States Design Patent**  
**Chang**

(10) **Patent No.:** **US D724,042 S**  
(45) **Date of Patent:** **\*\* Mar. 10, 2015**

(54) **TELEVISION**

(71) Applicant: **AmTRAN Technology Co., Ltd.**, New Taipei (TW)

(72) Inventor: **Chia-Hui Chang**, Taipei (TW)

(73) Assignee: **AmTRAN Technology Co., Ltd.**, New Taipei (TW)

(\*\*) Term: **14 Years**

(21) Appl. No.: **29/507,116**

(22) Filed: **Oct. 23, 2014**

(51) **LOC (10) Cl.** ..... **14-03**

(52) **U.S. Cl.**  
USPC ..... **D14/126**

(58) **Field of Classification Search**

CPC ... G06F 1/1601; G06F 1/1643; H05K 5/0004;  
H05K 5/0017; H05K 5/02; H05K 5/0217  
USPC ..... D14/125-134, 239, 371, 136, 374-377,  
D14/440, 450, 448, 336, 342, 159; 312/7.2;  
348/836, 838, 180, 184, 325, 739;  
248/917-924, 465; 345/104, 133, 156,  
345/168, 87, 173; D21/329, 515, 577, 622,  
D21/333, 433, 448, 452, 450, 331, 505;  
D10/15, 26; 446/484, 175, 356;  
D6/477, 479, 300; D24/185; D34/14

See application file for complete search history.

(56) **References Cited**

U.S. PATENT DOCUMENTS

D548,206 S *	8/2007	Han	.....	D14/126
D554,599 S *	11/2007	Otsuka et al.	.....	D14/126
D663,705 S *	7/2012	Park et al.	.....	D14/126
D680,509 S *	4/2013	Hwangbo et al.	.....	D14/126
D682,799 S *	5/2013	Hwang Bo et al.	.....	D14/126
D689,033 S *	9/2013	Hwangbo et al.	.....	D14/126
D700,155 S *	2/2014	McManigal	.....	D14/126
D719,117 S *	12/2014	Huh et al.	.....	D14/126

\* cited by examiner

*Primary Examiner* — Raphael Barkai

(74) *Attorney, Agent, or Firm* — CKC & Partners Co., Ltd.

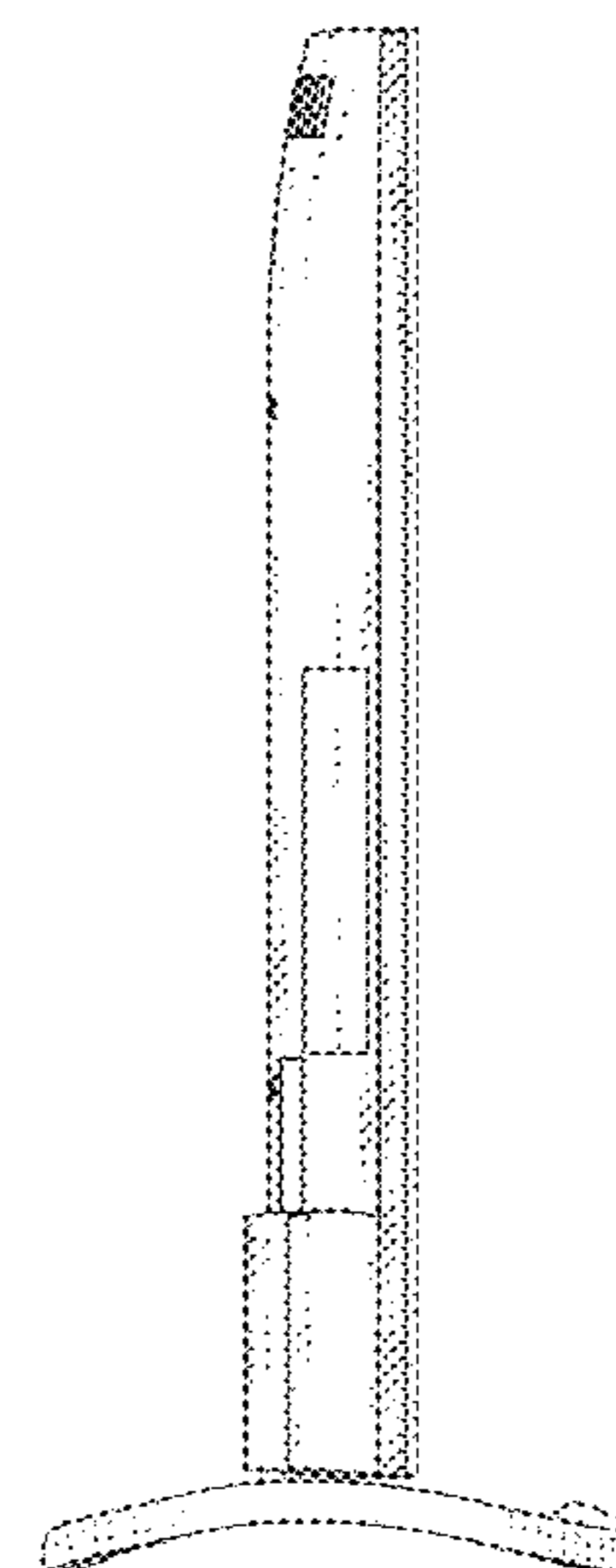
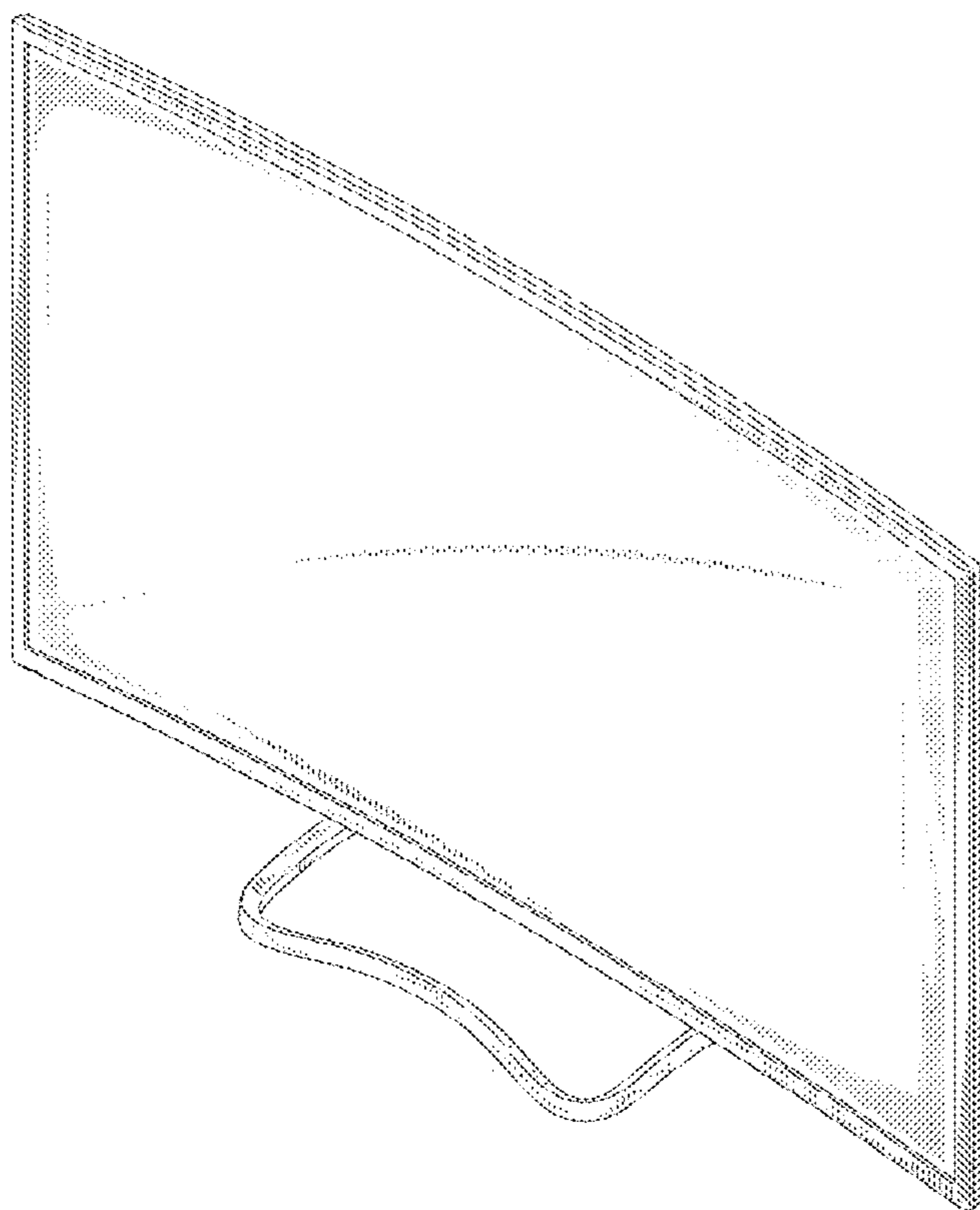
(57) **CLAIM**

The ornamental design for a television, as shown and described.

**DESCRIPTION**

FIG. 1 is a perspective view of a television showing my new design ;  
FIG. 2 is a front view thereof;  
FIG. 3 is a rear view thereof;  
FIG. 4 is a left side view thereof;  
FIG. 5 is a right side view thereof;  
FIG. 6 is a top view thereof; and,  
FIG. 7 is a bottom view thereof.

**1 Claim, 7 Drawing Sheets**



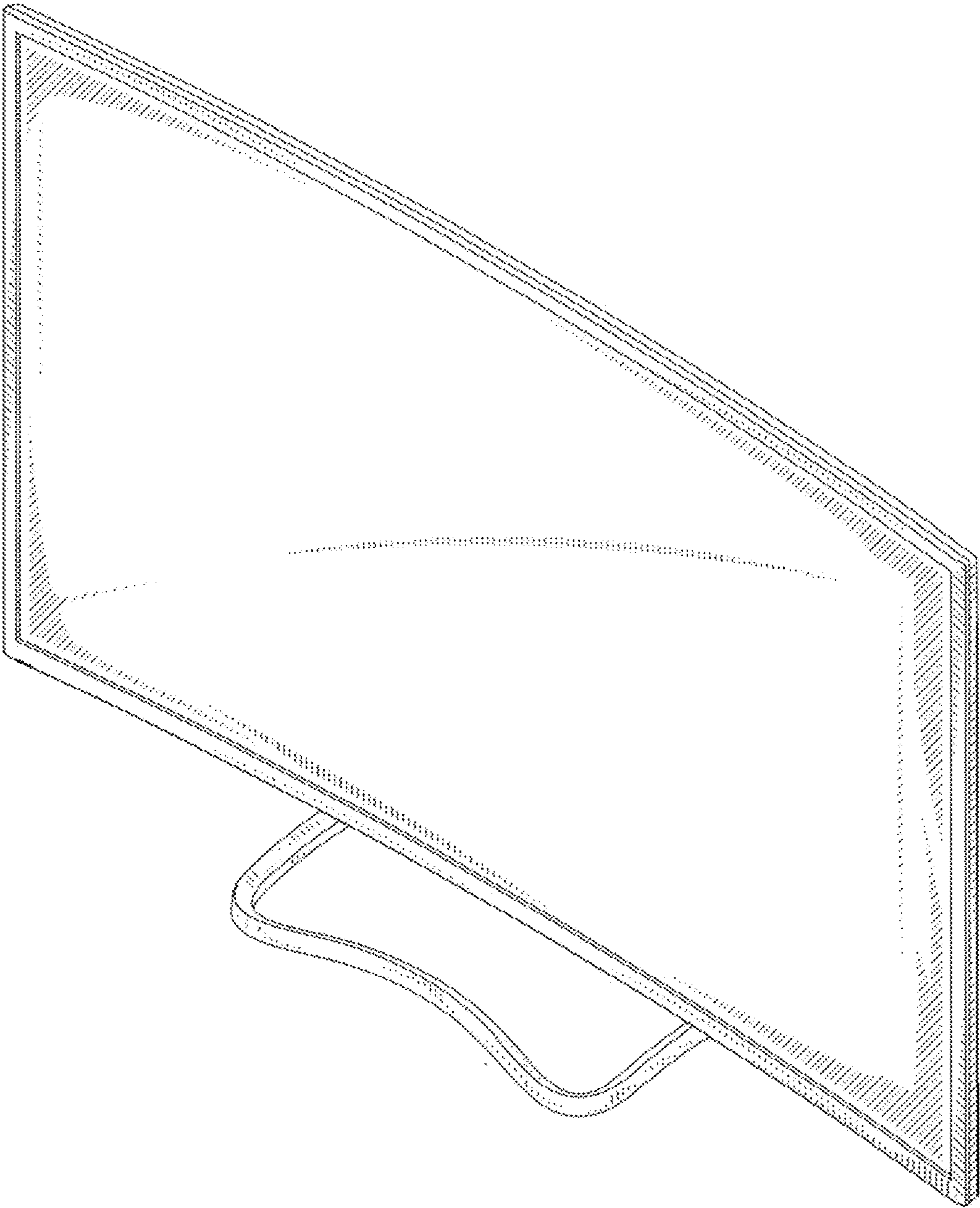


FIG. 1

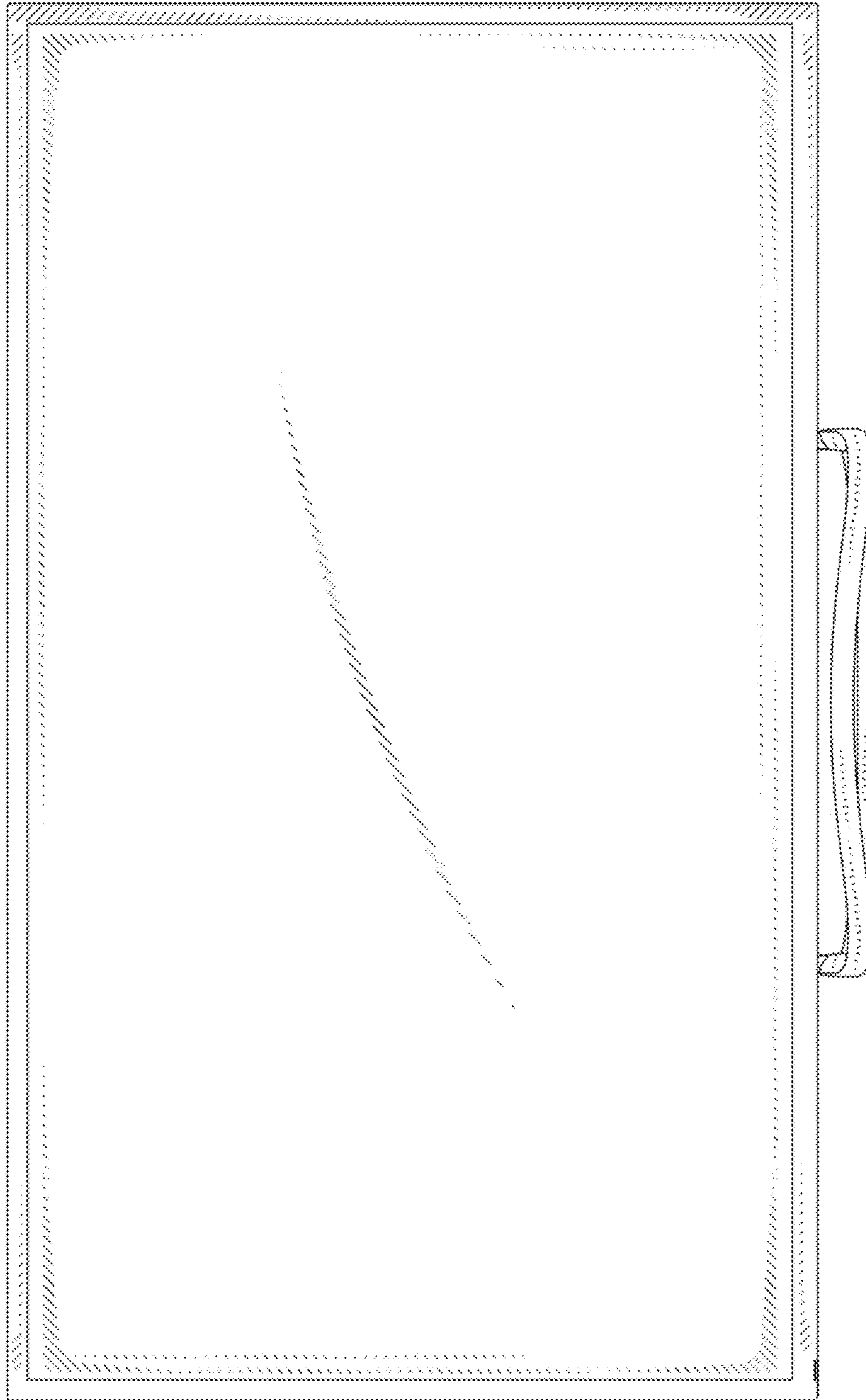


FIG. 2

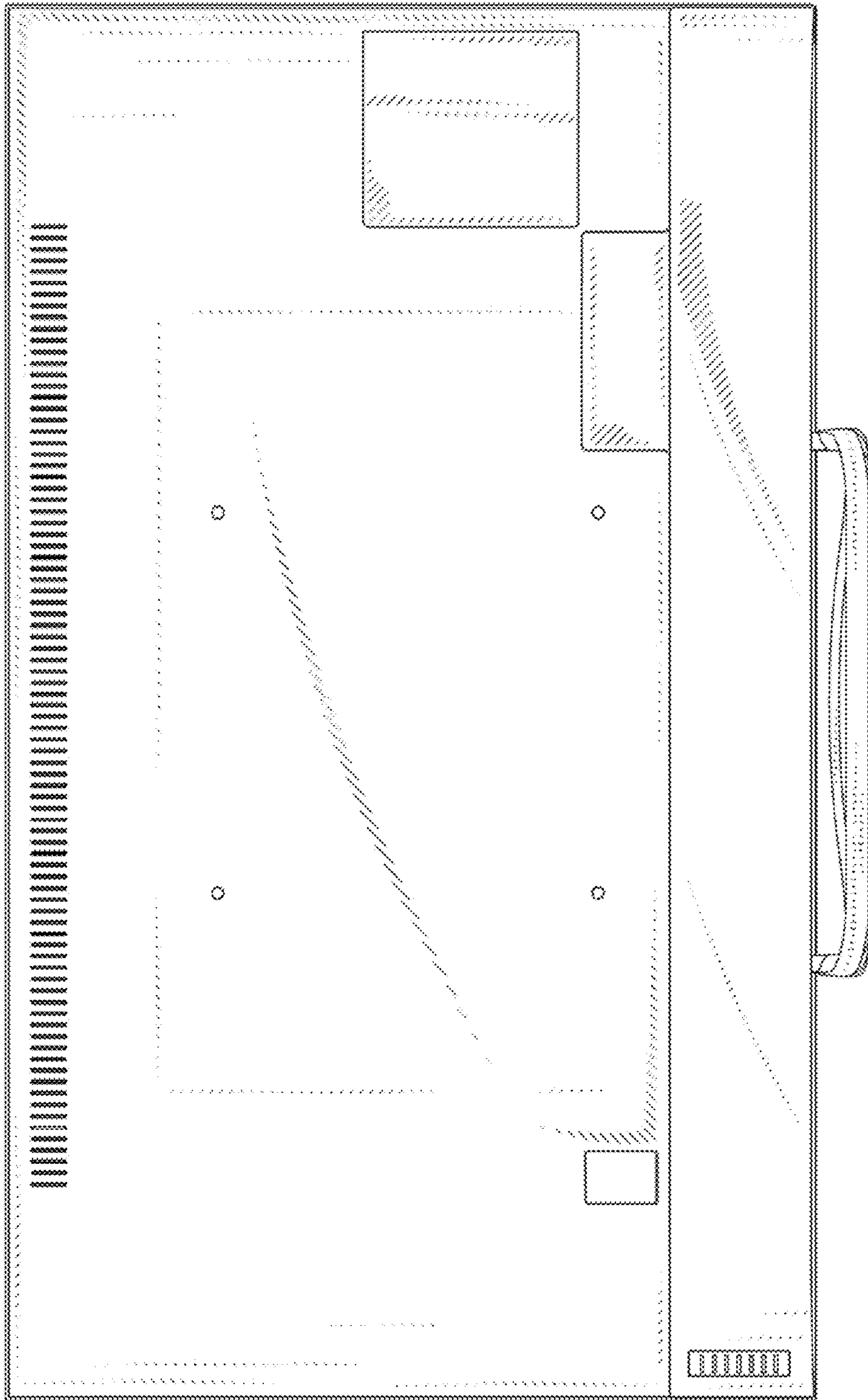


FIG. 3

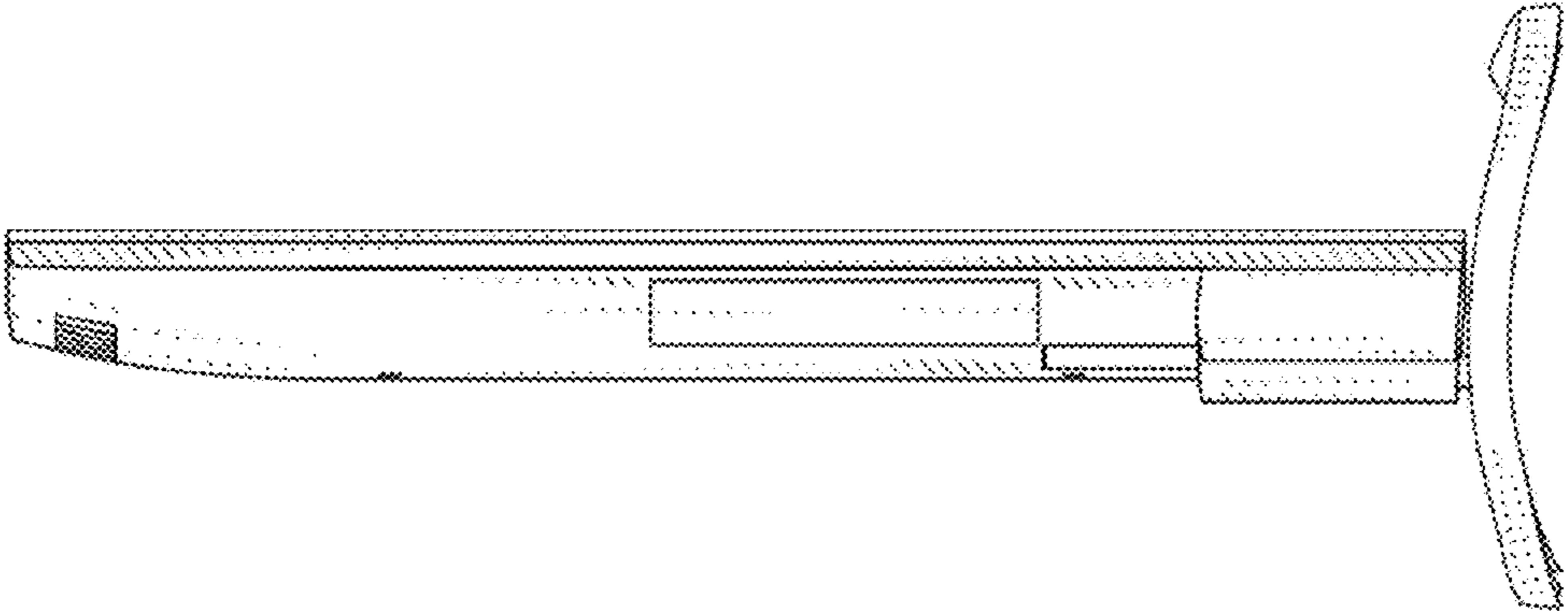


FIG. 4

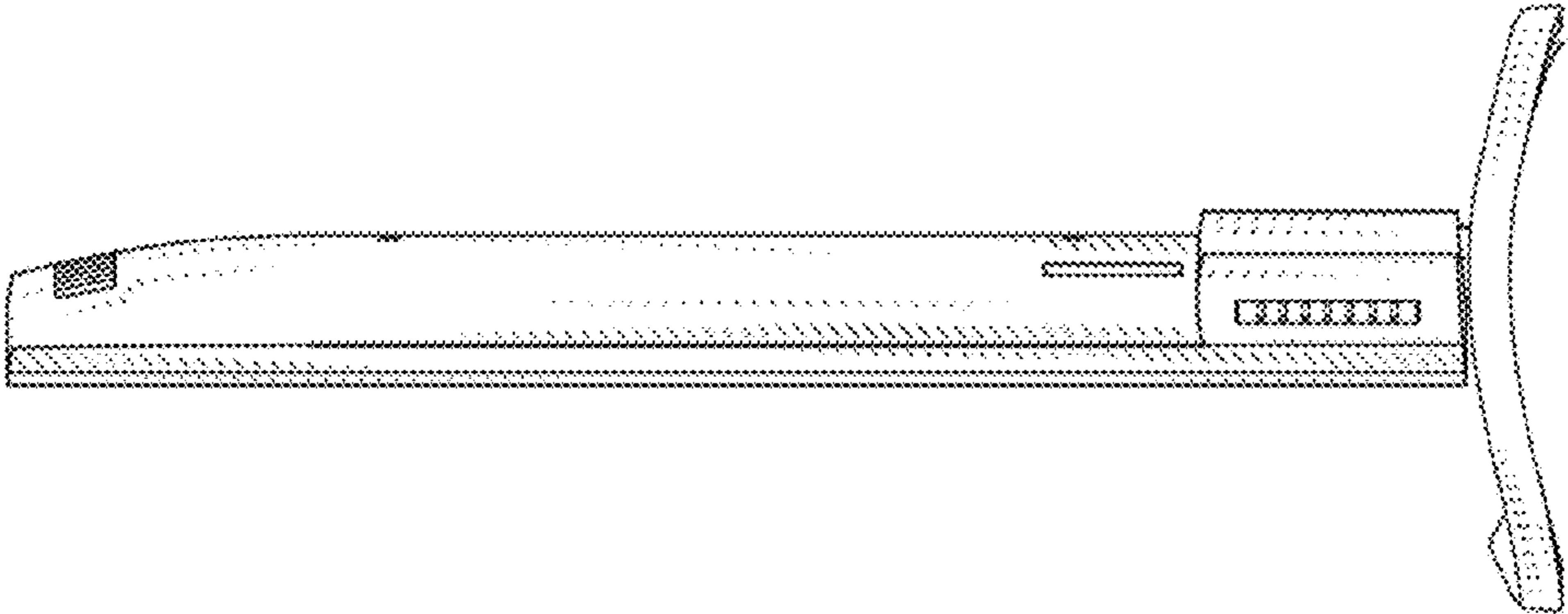


FIG. 5

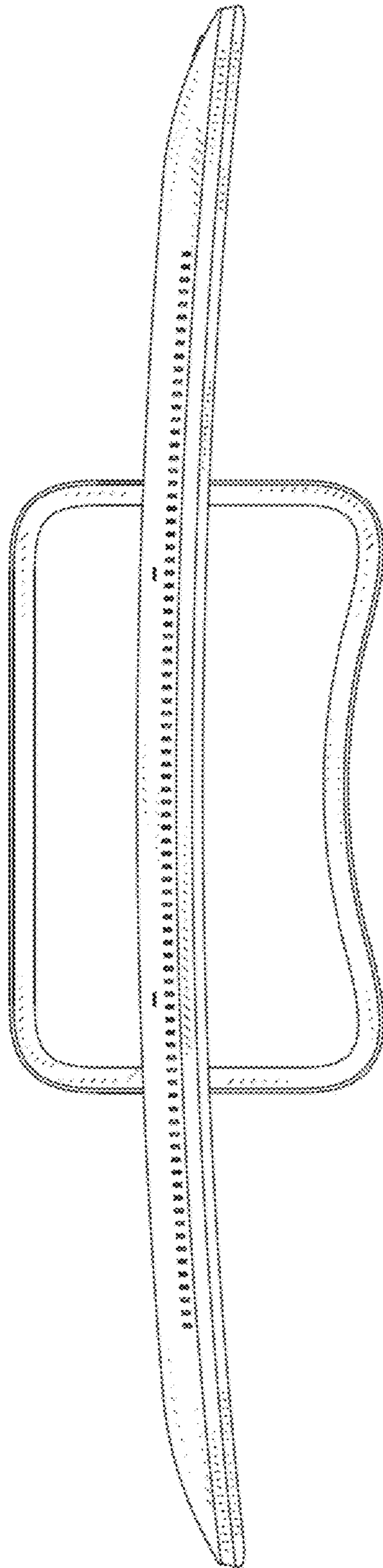


FIG. 6

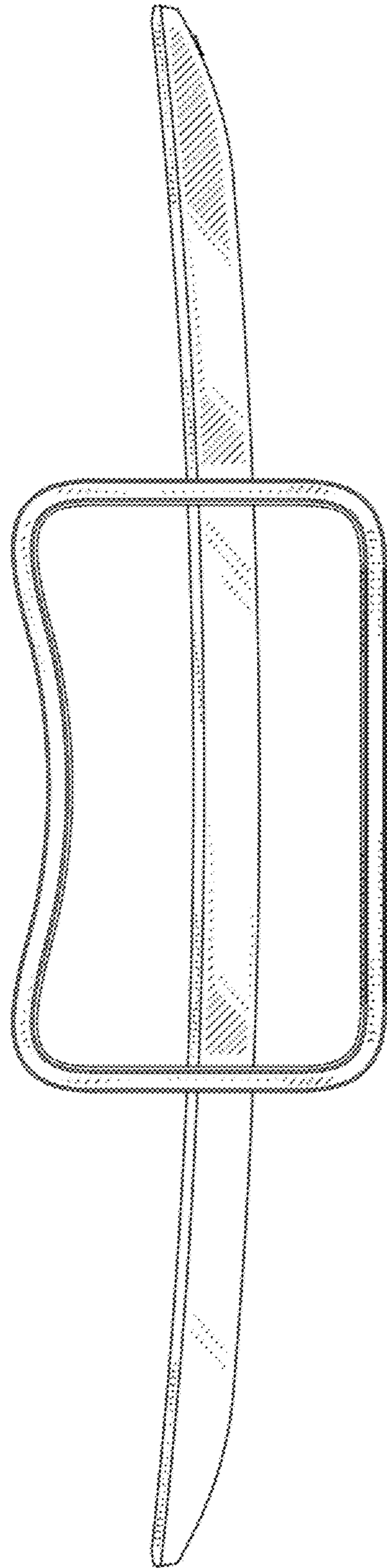


FIG. 7