



US00D724040S

(12) **United States Design Patent**
Chan

(10) **Patent No.:** **US D724,040 S**
(45) **Date of Patent:** **** Mar. 10, 2015**

(54) **INFORMATION HANDLING SYSTEM AND ARTICULATED STAND**

(71) Applicant: **Dell Products L.P.**, Round Rock, TX (US)

(72) Inventor: **Wai Lim Chan**, Singapore (SG)

(73) Assignee: **Dell Products L.P.**, Round Rock, TX (US)

(**) Term: **14 Years**

(21) Appl. No.: **29/496,098**

(22) Filed: **Jul. 9, 2014**

(51) **LOC (10) Cl.** **14-03**

(52) **U.S. Cl.**
USPC **D14/126**

(58) **Field of Classification Search**
CPC ... G06F 1/1601; G06F 1/1643; H05K 5/0004; H05K 5/0017; H05K 5/02; H05K 5/0217
USPC D14/125-134, 239, 371, 136, 374-377, D14/440, 450, 448, 336, 342, 159; 312/7.2; 348/836, 838, 180, 184, 325, 739; 248/917-924, 465; 345/104, 133, 156, 345/168, 87, 173; D21/329, 515, 577, 622, D21/333, 433, 448, 452, 450, 331, 505; D10/15, 26; 446/484, 175, 356; D6/477, 479, 300

See application file for complete search history.

(56) **References Cited**

U.S. PATENT DOCUMENTS

6,015,120 A * 1/2000 Sweere et al. 248/123.11
D512,424 S * 12/2005 Kim D14/375

D537,079 S * 2/2007 Park D14/375
7,258,311 B2 * 8/2007 Yen et al. 248/133
D631,042 S * 1/2011 Chen D14/337
D642,145 S * 7/2011 Kim et al. D14/126
D673,129 S * 12/2012 Kumano D14/126
D695,244 S * 12/2013 Wolff et al. D14/126
D703,631 S * 4/2014 Hallar et al. D14/129
D704,156 S * 5/2014 Lee et al. D14/126

* cited by examiner

Primary Examiner — Raphael Barkai

(74) *Attorney, Agent, or Firm* — Terrile, Cannatti, Chambers & Holland, LLP; Robert W. Holland

(57) **CLAIM**

We claim the ornamental design for an information handling system and articulated stand, as shown and described.

DESCRIPTION

FIG. 1 is a front perspective view of an information handling system and articulated stand comprising the present invention;

FIG. 2 is a front view thereof;

FIG. 3 is a rear view thereof;

FIG. 4 is a right side view thereof;

FIG. 5 is a left side view thereof;

FIG. 6 is a top view thereof;

FIG. 7 is a bottom view thereof;

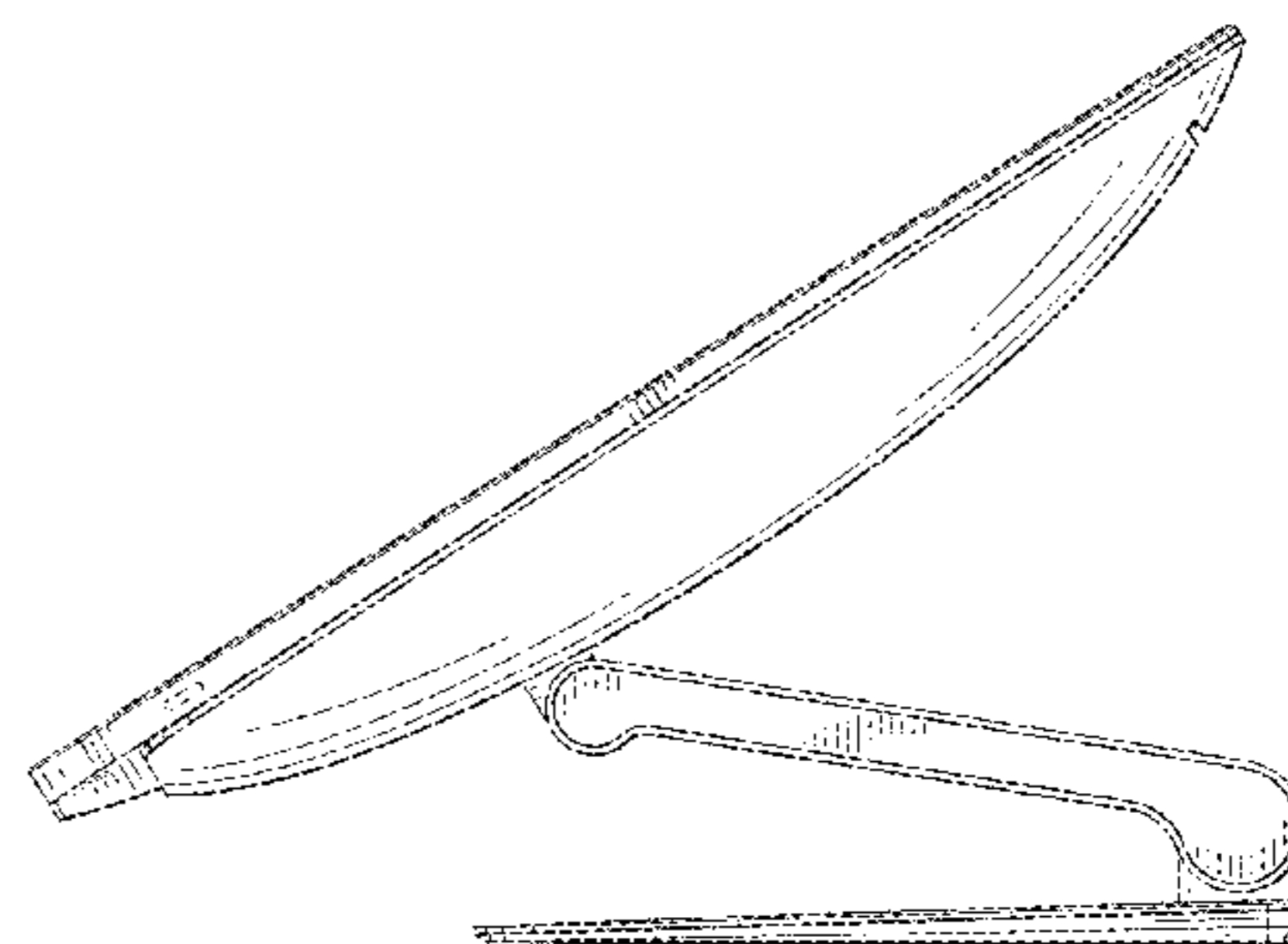
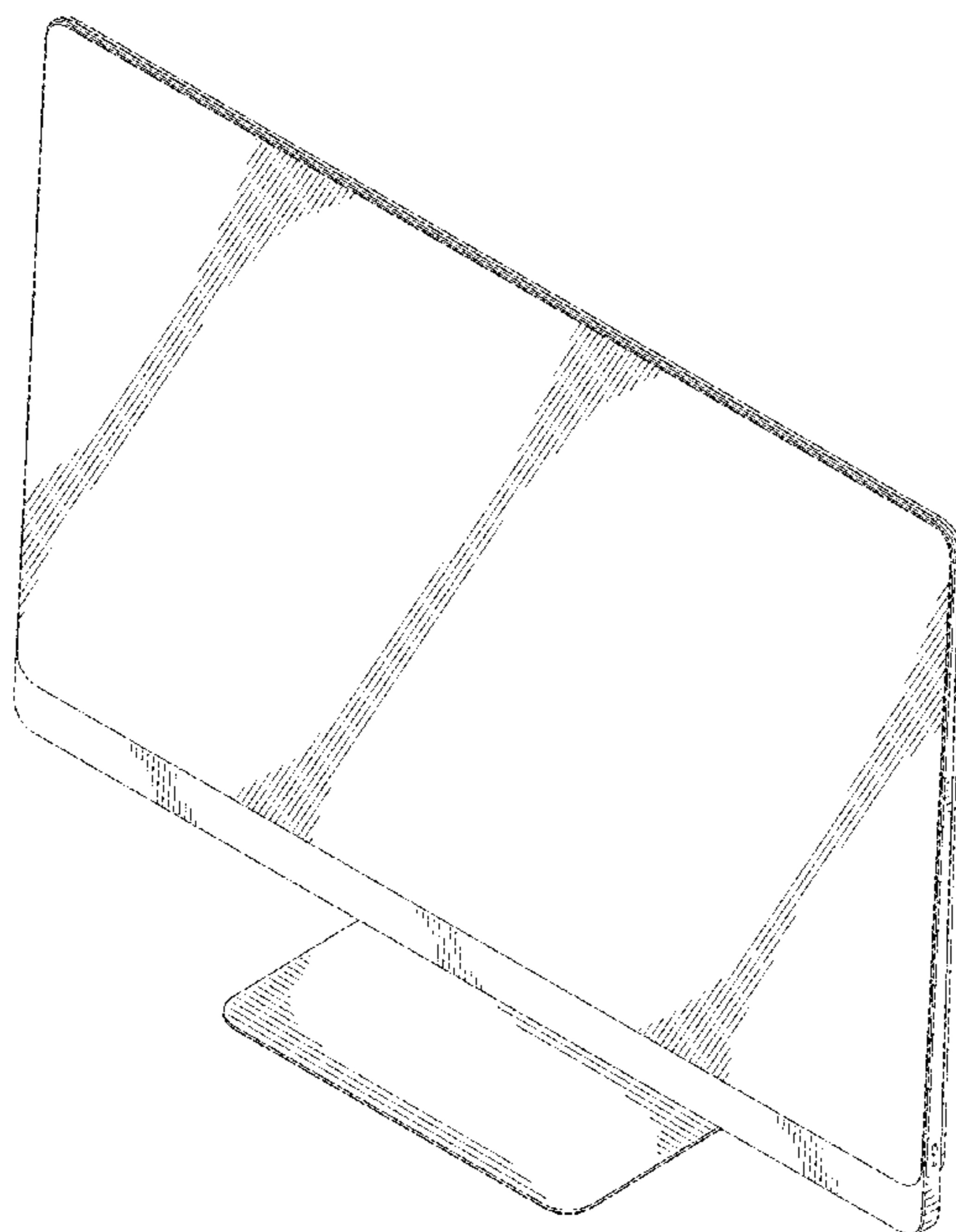
FIG. 8 is a rear perspective view thereof;

FIG. 9 is a right side view with the stand articulated in a more horizontal position thereof; and,

FIG. 10 is an upper perspective view with the stand articulated in a more horizontal position thereof.

Broken lines shown in the drawings illustrate portions of the mobile power adapter, and form no part of the claimed design.

1 Claim, 9 Drawing Sheets



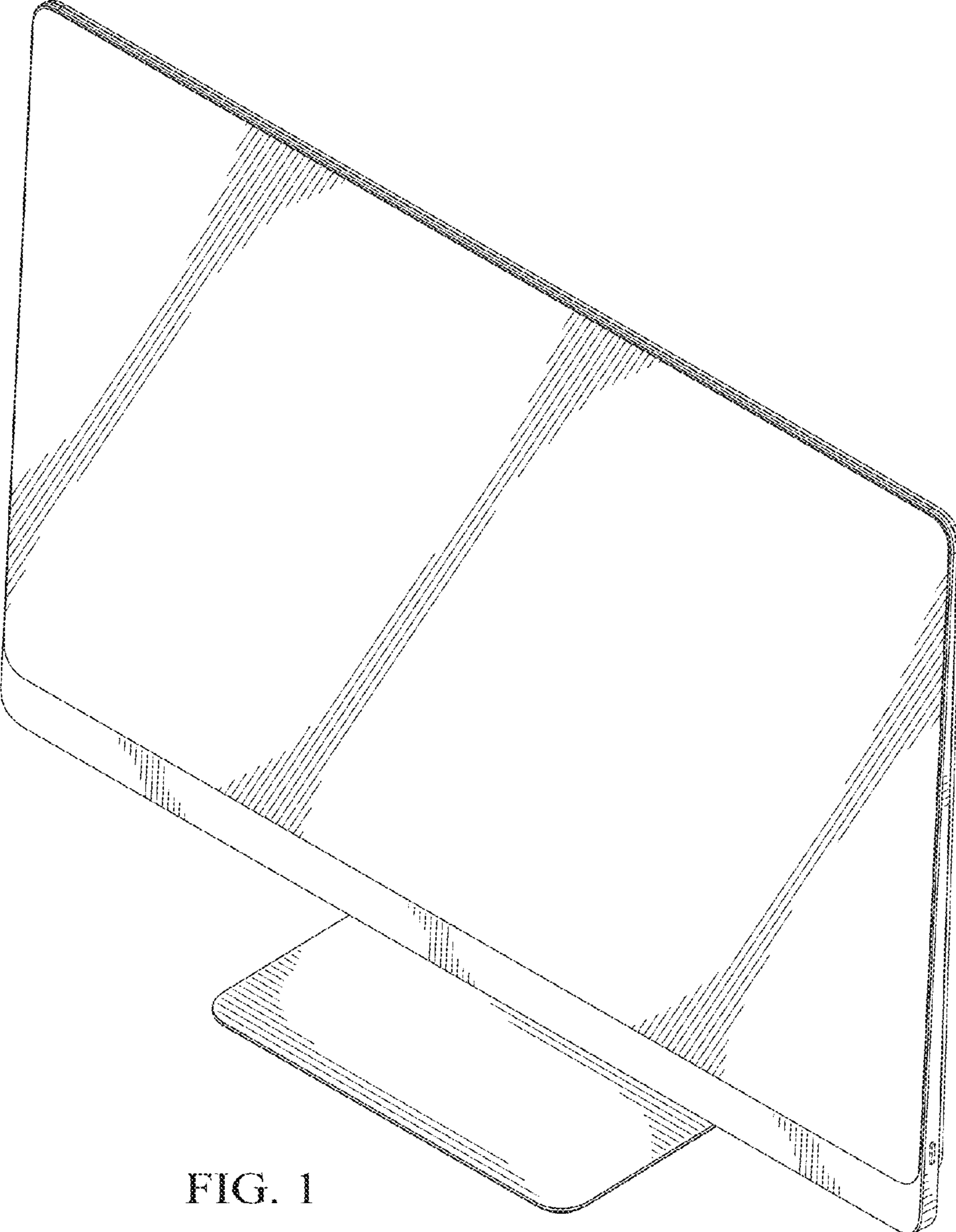


FIG. 1

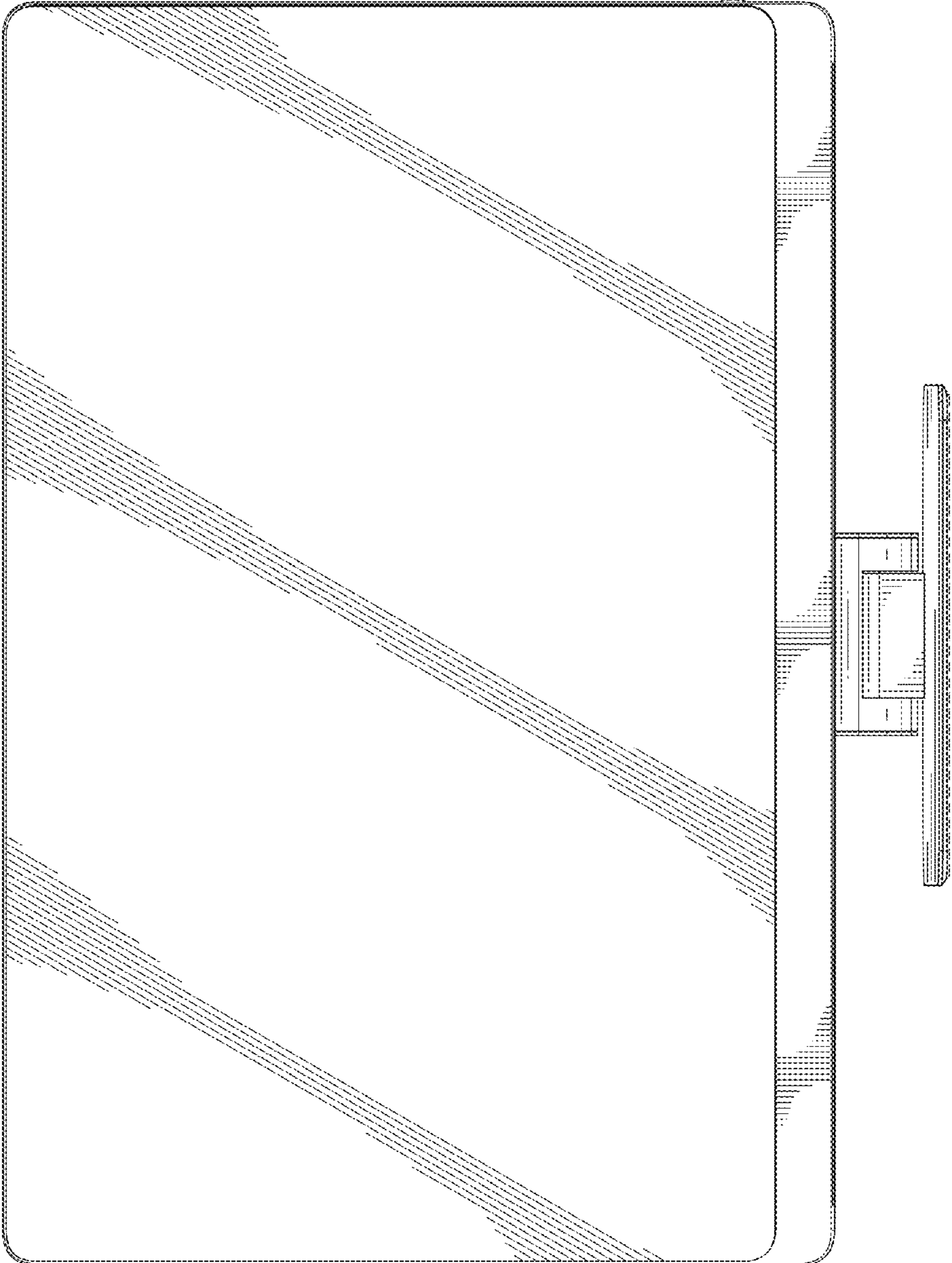


FIG. 2

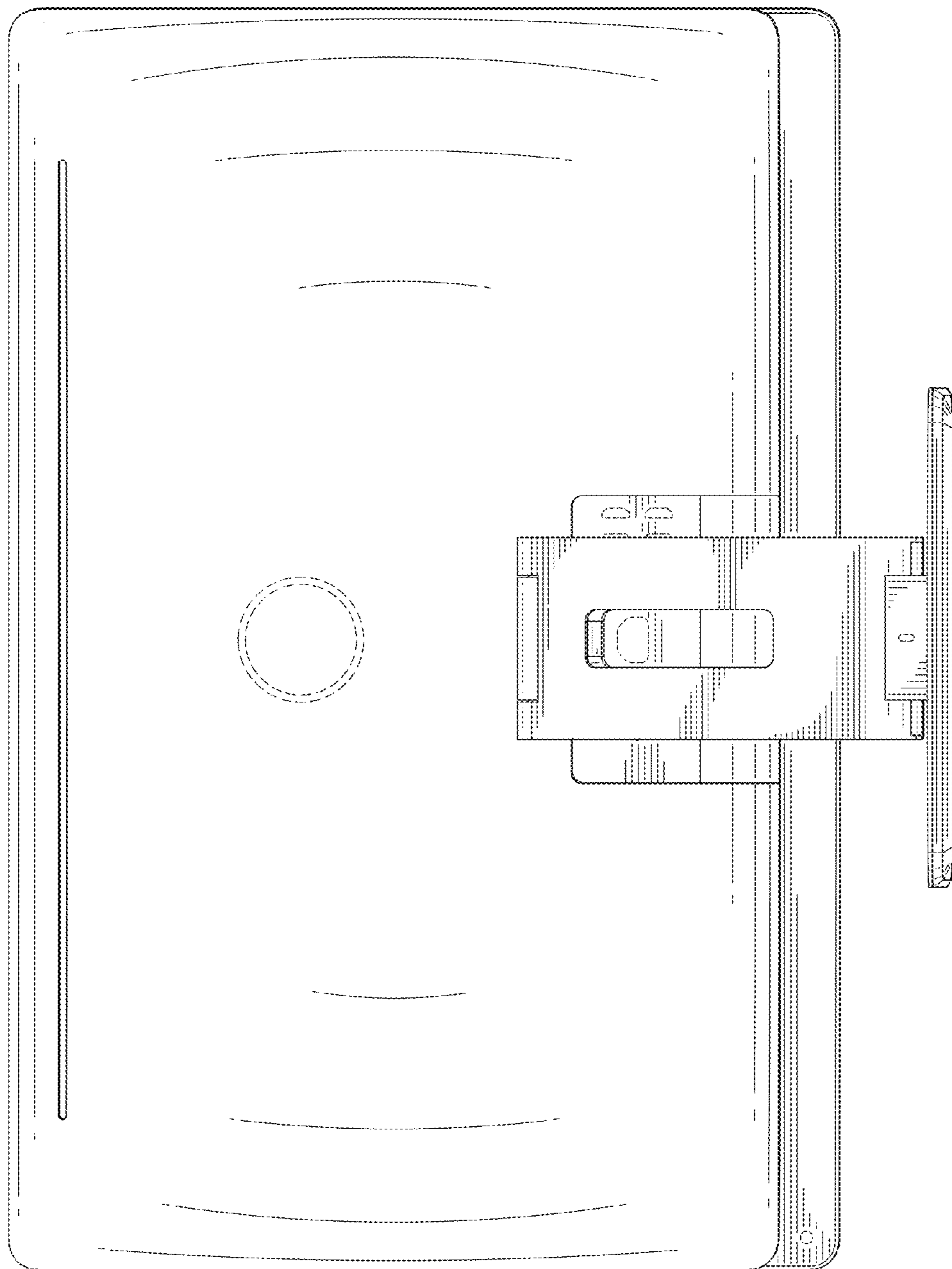


FIG. 3

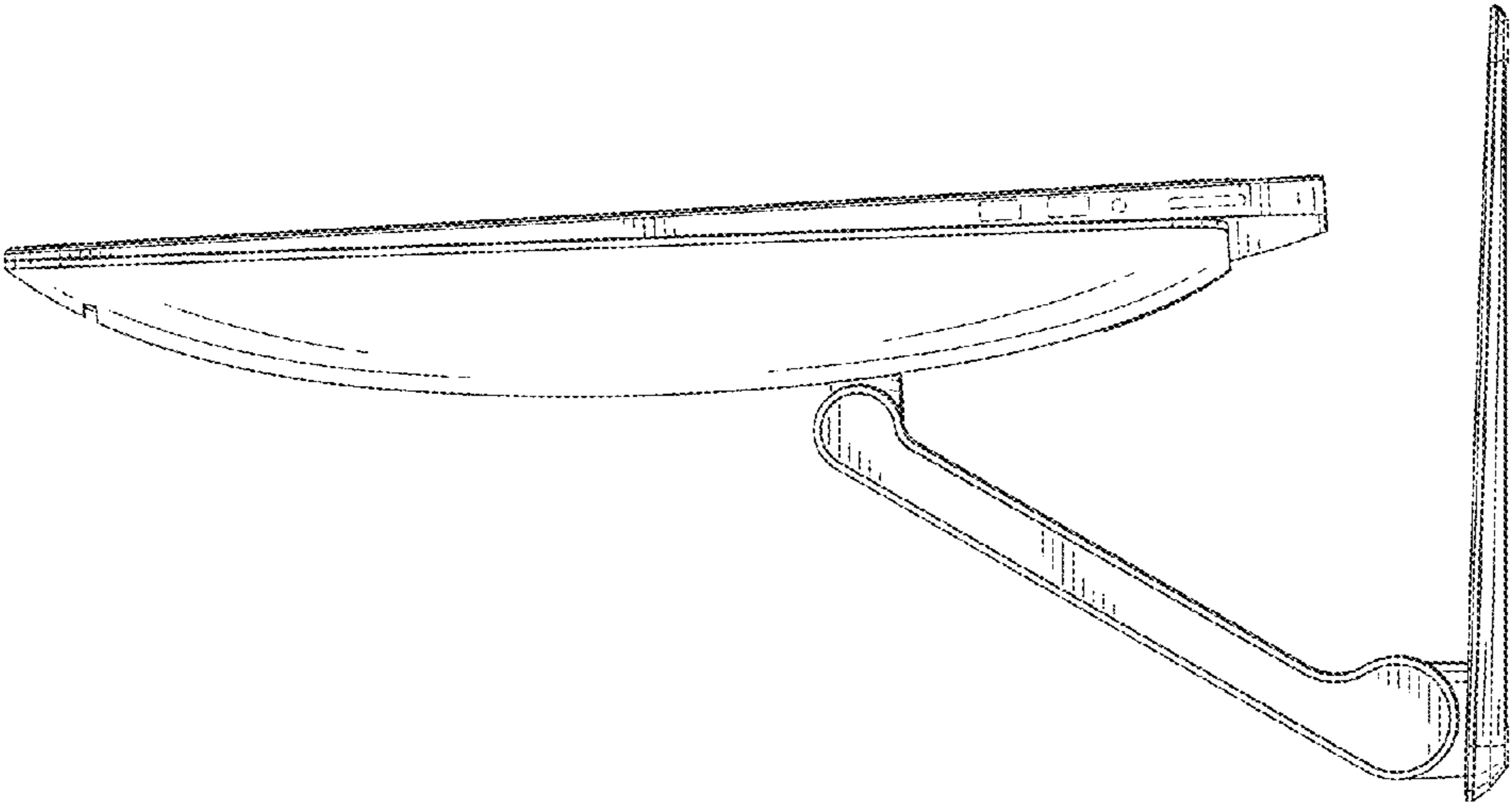


FIG. 5

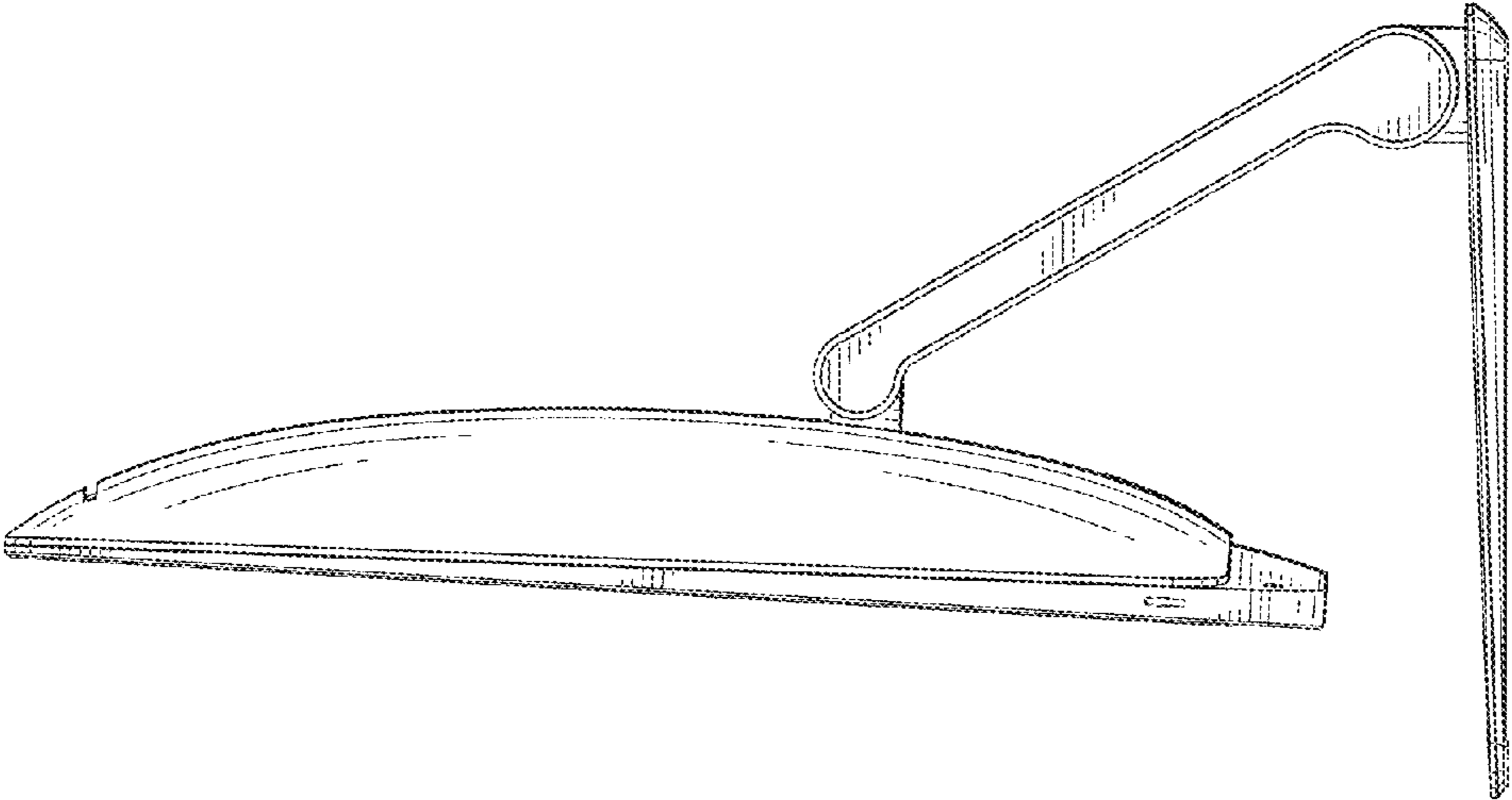


FIG. 4

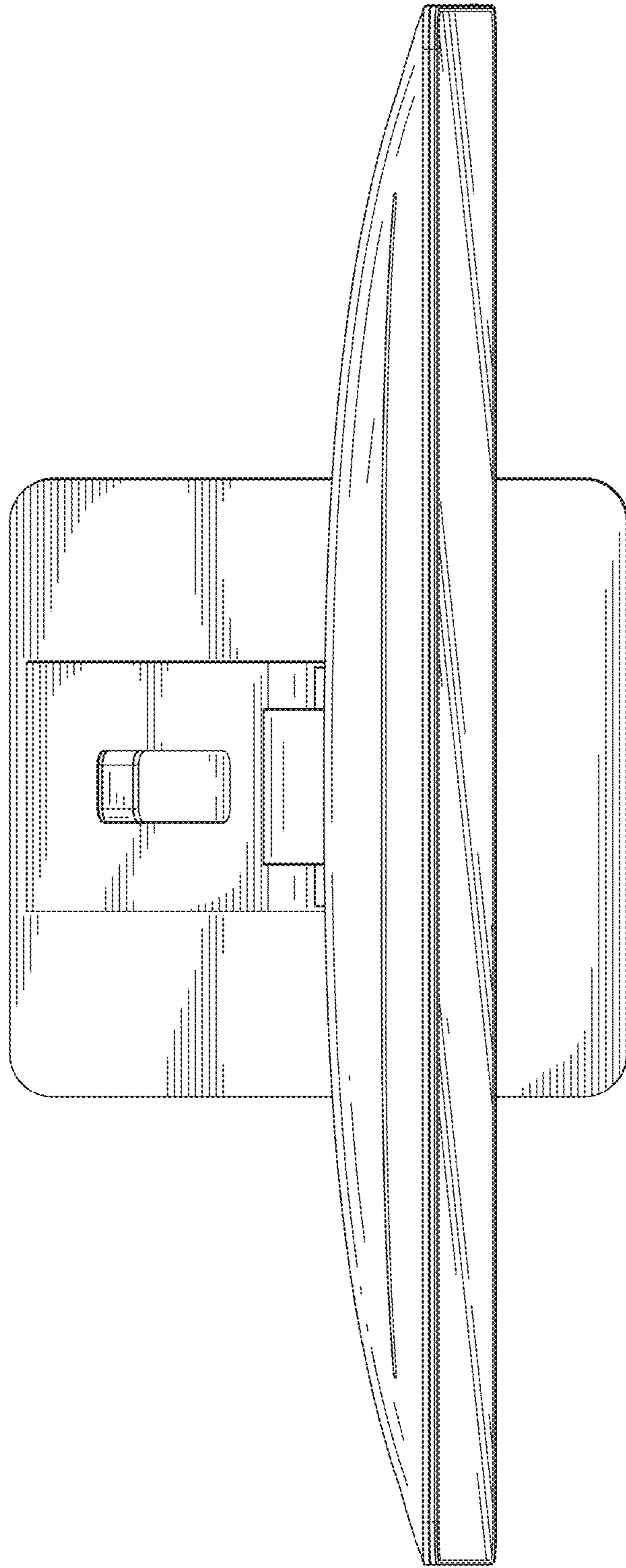


FIG. 6

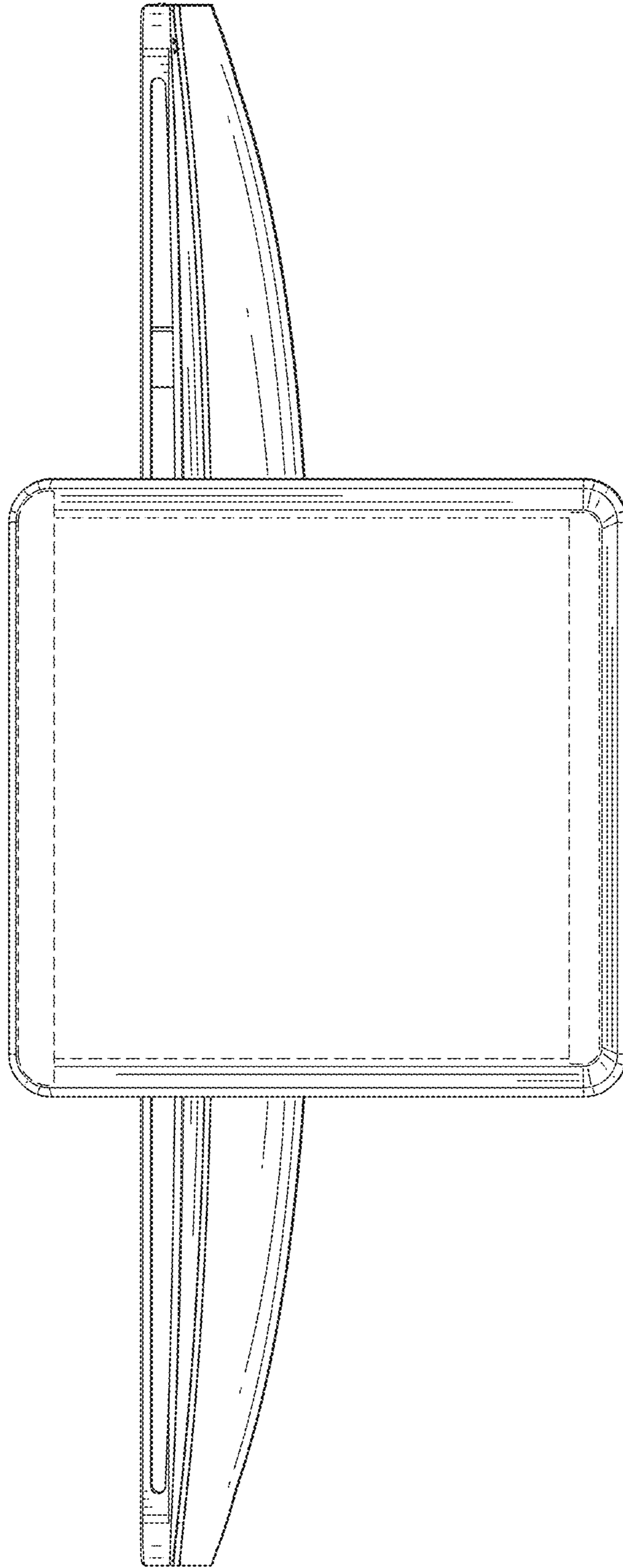


FIG. 7

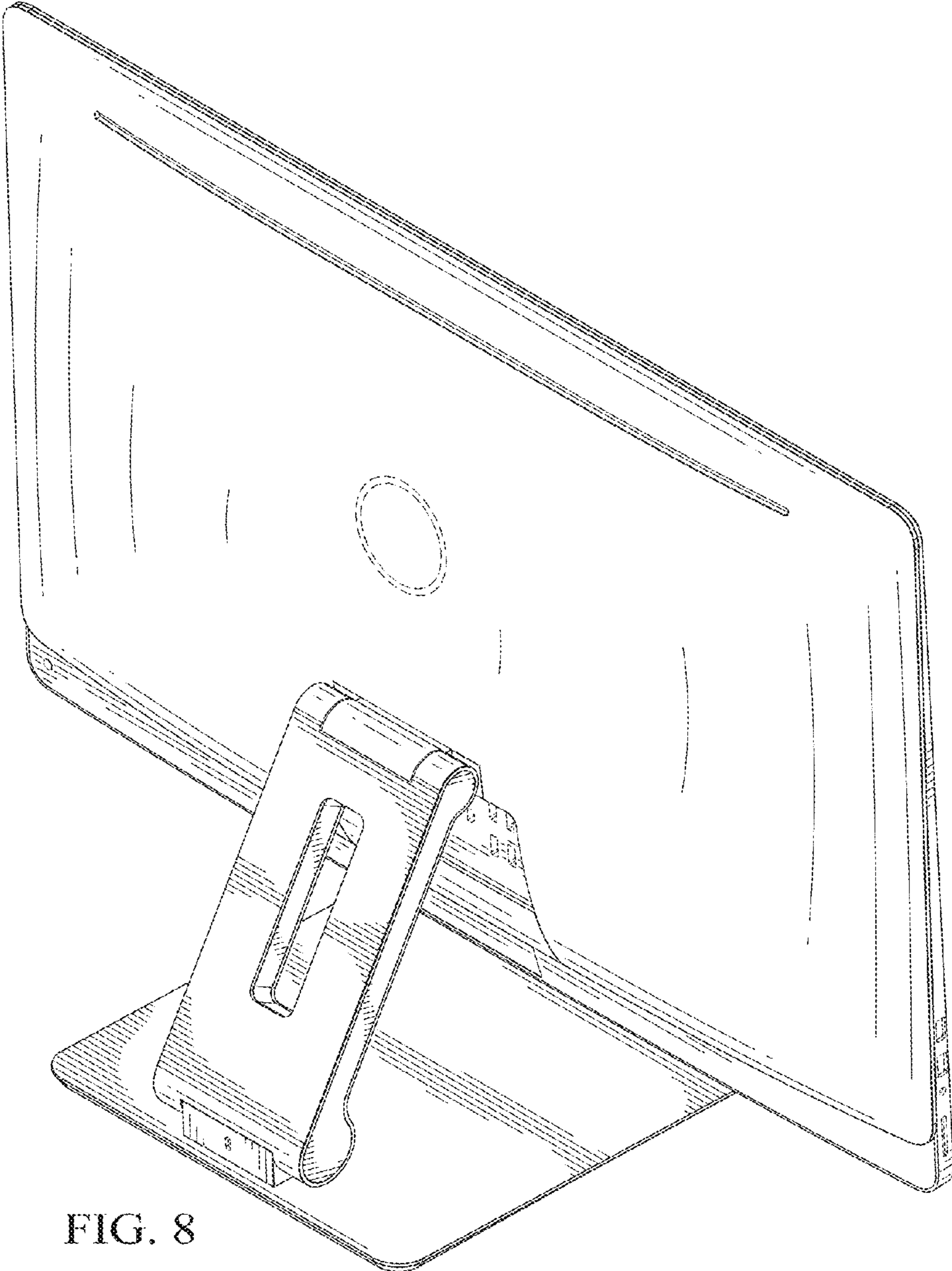


FIG. 8

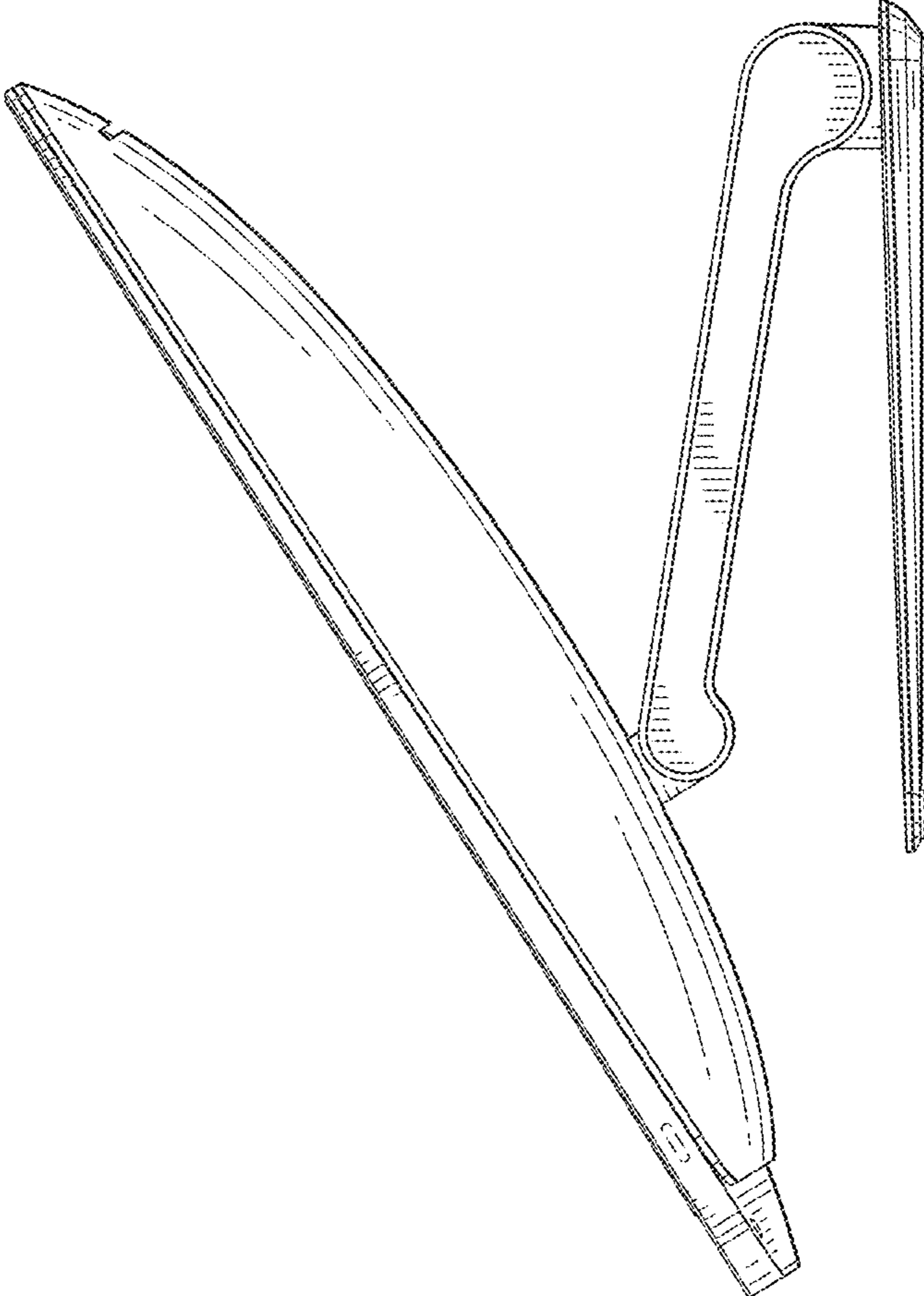


FIG. 9

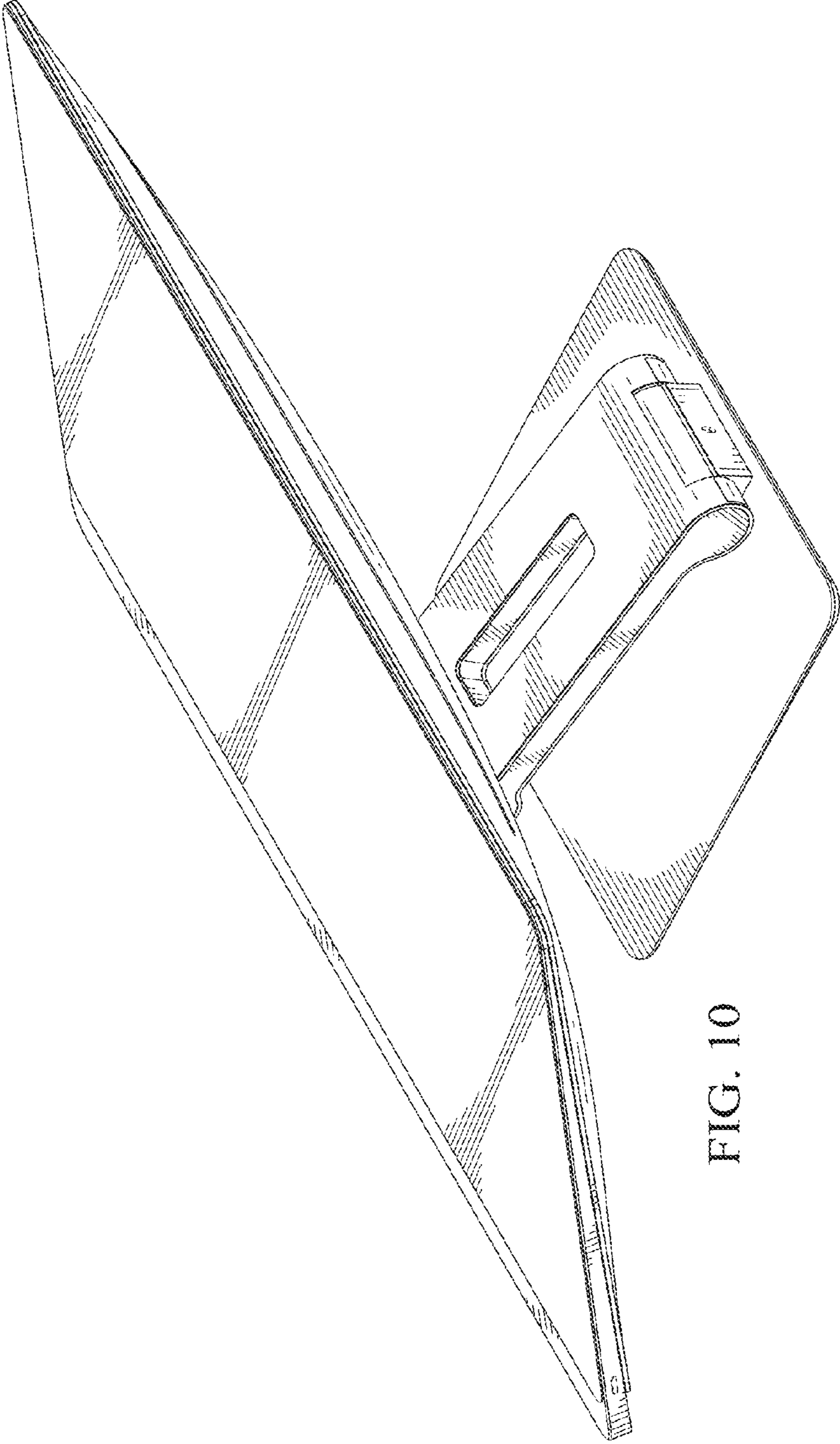


FIG. 10