



US00D724034S

(12) **United States Design Patent**
Liu et al.

(10) **Patent No.:** **US D724,034 S**
(45) **Date of Patent:** **** Mar. 10, 2015**

(54) **REMOTE TERMINAL UNIT IN OIL AND GAS PRODUCTION ENVIRONMENTS**

(71) Applicant: **Honeywell International Inc.**,
Morristown, NJ (US)

(72) Inventors: **Chaohong Liu**, Shanghai (CN);
Chenghao Wang, Shanghai (CN); **Dezhi Yang**, Shanghai (CN); **Jie Lv**, Shanghai (CN); **Lei Zou**, Shanghai (CN)

(73) Assignee: **Honeywell International Inc.**,
Morristown, NJ (US)

(**) Term: **14 Years**

(21) Appl. No.: **29/457,000**

(22) Filed: **Jun. 6, 2013**

(51) **LOC (10) Cl.** **13-03**

(52) **U.S. Cl.**
USPC **D13/162**

(58) **Field of Classification Search**
USPC D13/158, 162, 168; D14/348, 349, 439;
361/622, 627, 628, 679.01, 679.02,
361/679.4, 679.46, 728, 729, 730;
362/23.09; 439/717; 700/2, 12, 7, 17,
700/18; 710/5, 18-20, 52; 702/188;
714/456

See application file for complete search history.

(56) **References Cited**

U.S. PATENT DOCUMENTS

D209,513 S * 12/1967 Walters et al. D13/158
5,000,692 A * 3/1991 Taniguchi et al. 439/160
D317,448 S * 6/1991 Straw et al. D14/389
5,483,229 A * 1/1996 Tamura et al. 340/691.7

D384,938 S * 10/1997 Hamada et al. D13/162
5,791,916 A * 8/1998 Schirbl et al. 439/76.1
5,984,734 A * 11/1999 Piper et al. 439/717
D418,115 S * 12/1999 Shimizu et al. D13/162.1
D428,600 S * 7/2000 Futami et al. D13/162
D525,211 S * 7/2006 Tanabe et al. D13/162
D525,936 S * 8/2006 Tanabe et al. D13/123
D608,300 S * 1/2010 Boyland et al. D13/162
D609,195 S * 2/2010 Yamashita et al. D13/162
D704,150 S * 5/2014 Chen et al. D13/162.1
2005/0234681 A1 * 10/2005 Johnson et al. 702/188

* cited by examiner

Primary Examiner — Selina Sikder

(74) *Attorney, Agent, or Firm* — Kermit D. Lopez; Luis M Ortiz; Kevin Soules

(57) **CLAIM**

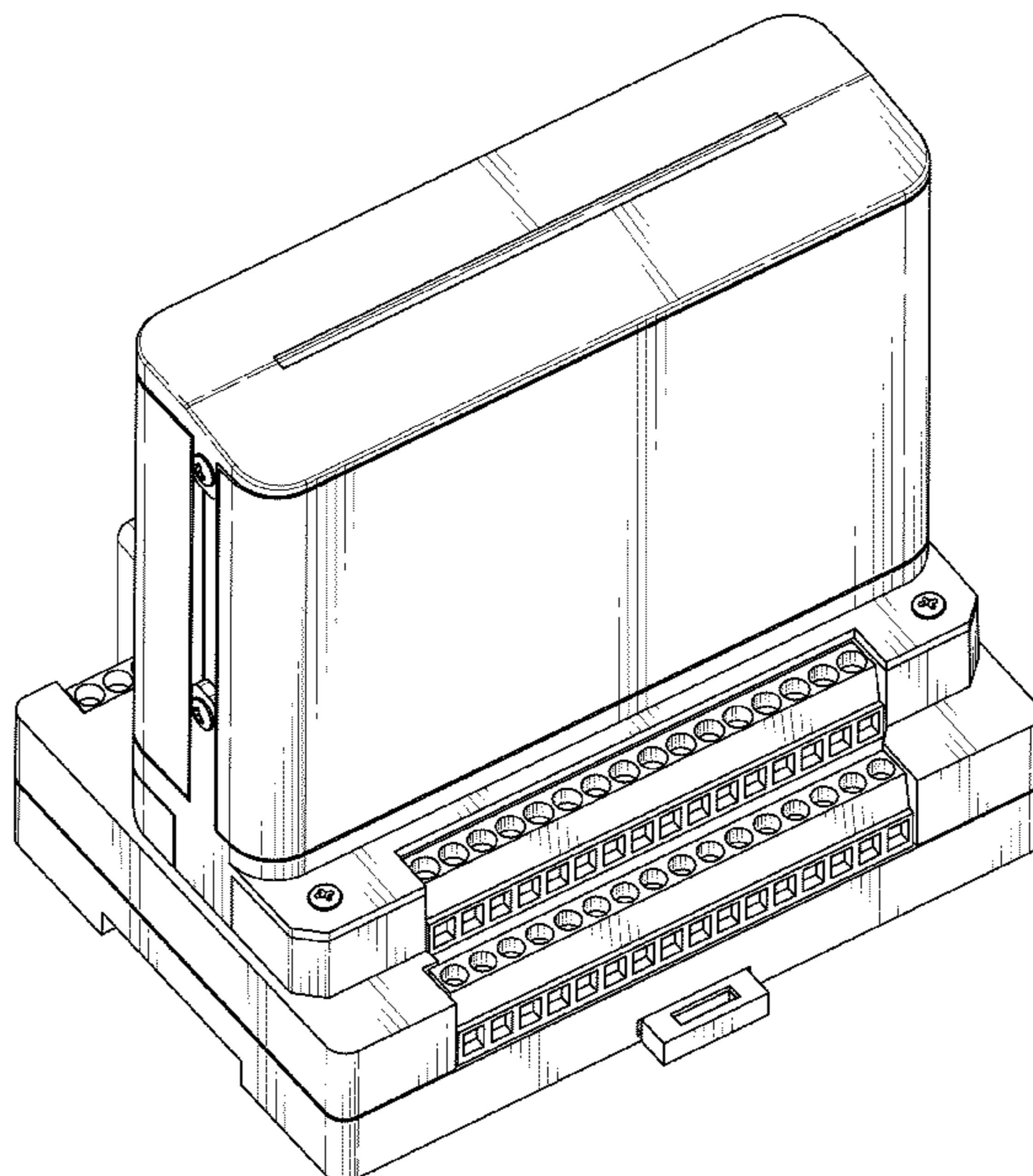
The ornamental design for a remote terminal unit in oil and gas production environments, as shown and described.

DESCRIPTION

FIG. 1 is front perspective view of the remote terminal unit in oil and gas production environments showing our new design; FIG. 2 is a front elevation thereof; FIG. 3 is a rear elevation thereof; FIG. 4 is a right side elevation thereof; FIG. 5 is a left side elevation thereof; FIG. 6 is a top plan view thereof; FIG. 7 is a bottom plan thereof; FIG. 8 is a rear side perspective view thereof; FIG. 9 is a top front perspective view thereof; FIG. 10 is a bottom front perspective view thereof; and, FIG. 11 is a bottom rear perspective view thereof.

The broken line showing of the remote terminal unit is for the purpose of illustrating environmental structure and forms no part of the claimed design.

1 Claim, 10 Drawing Sheets



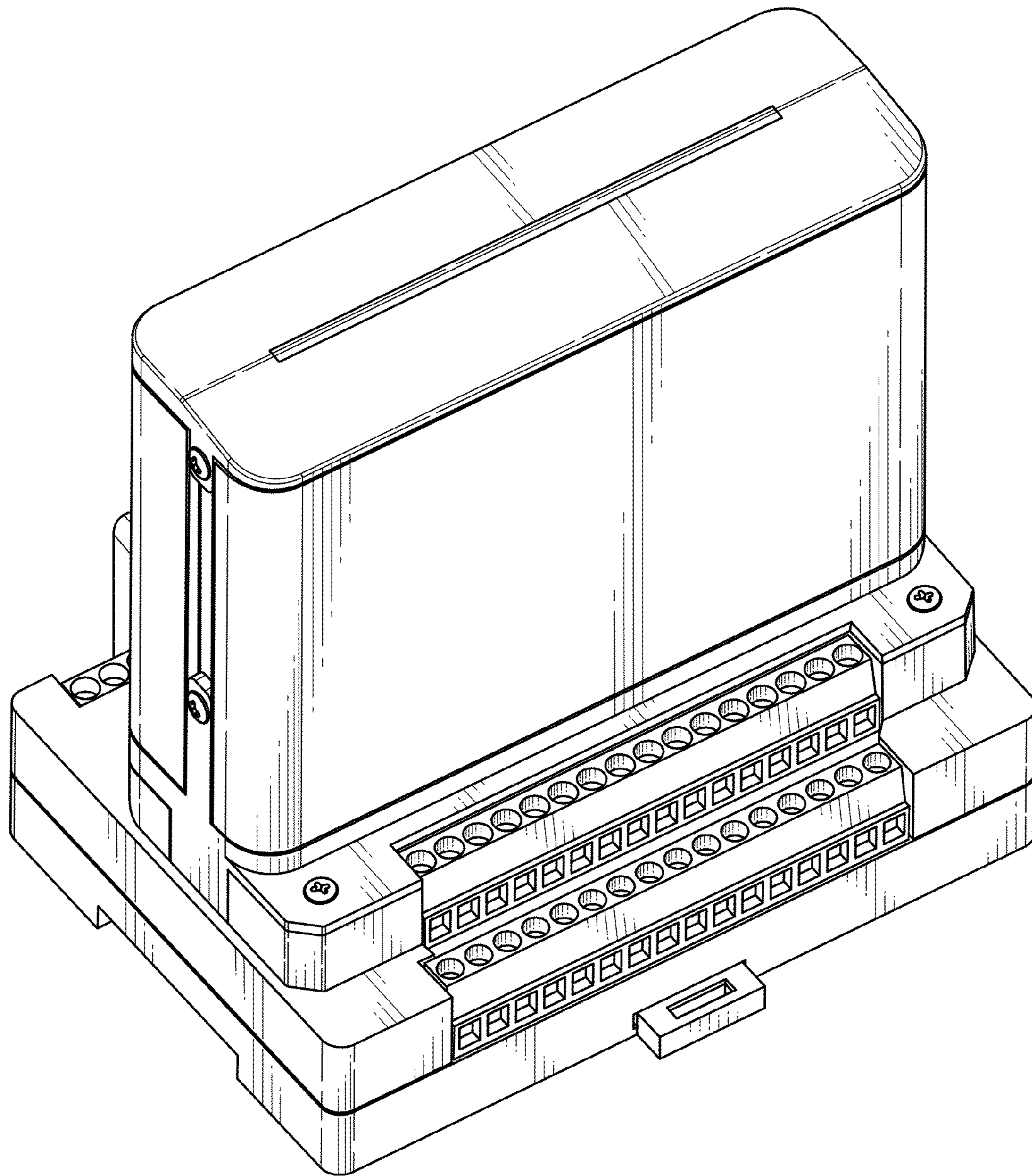


FIG. 1

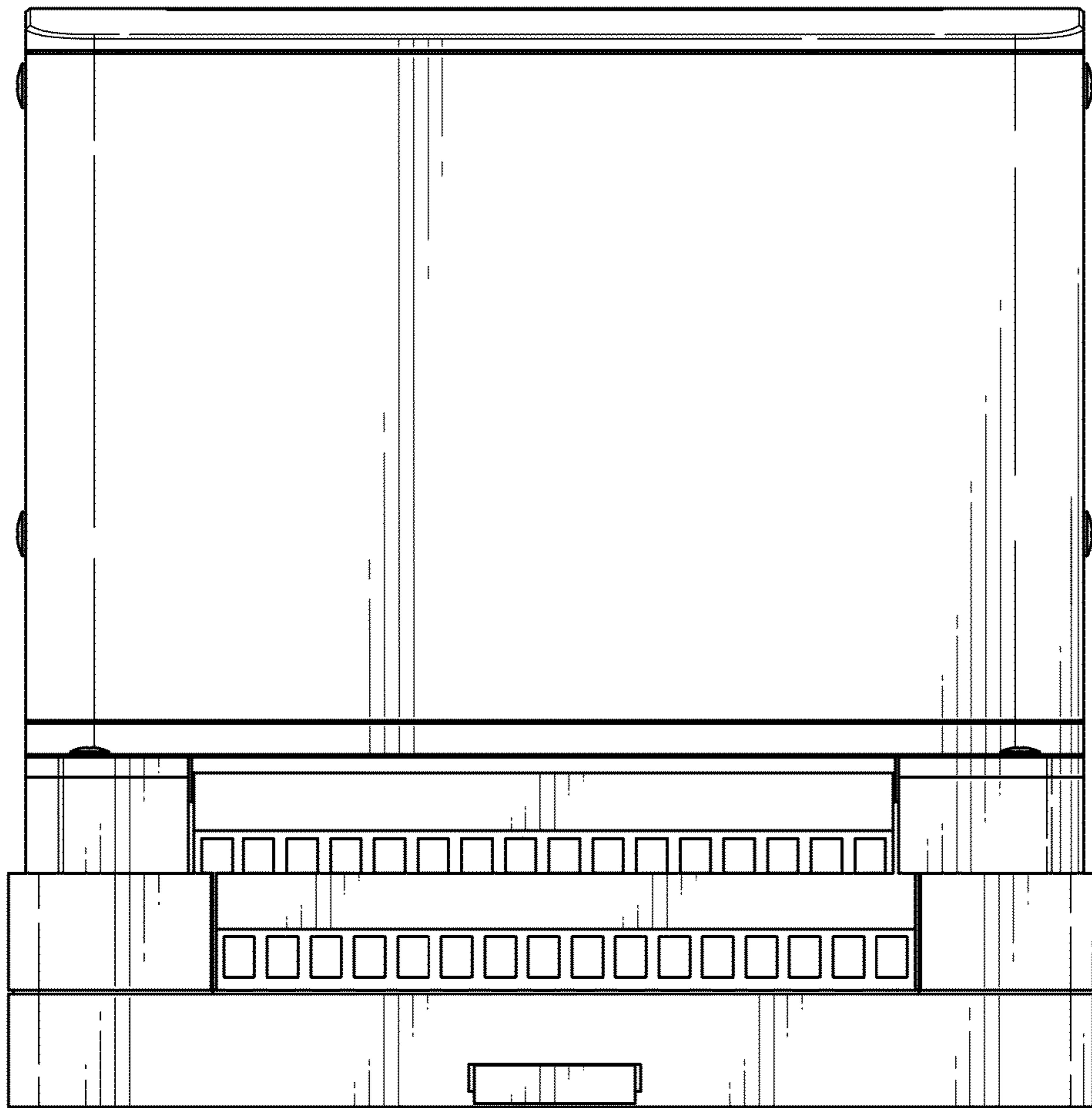


FIG. 2

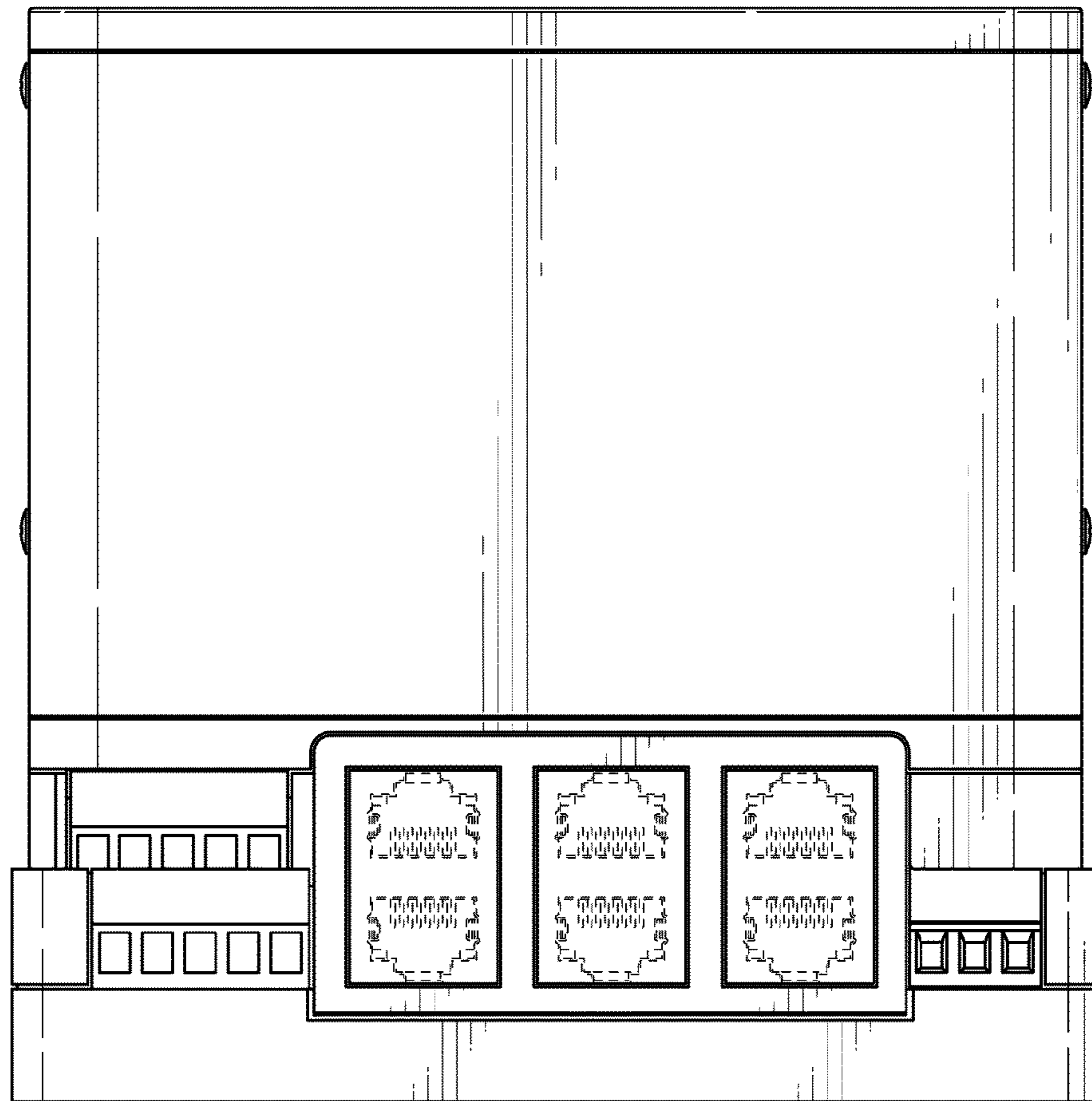


FIG. 3

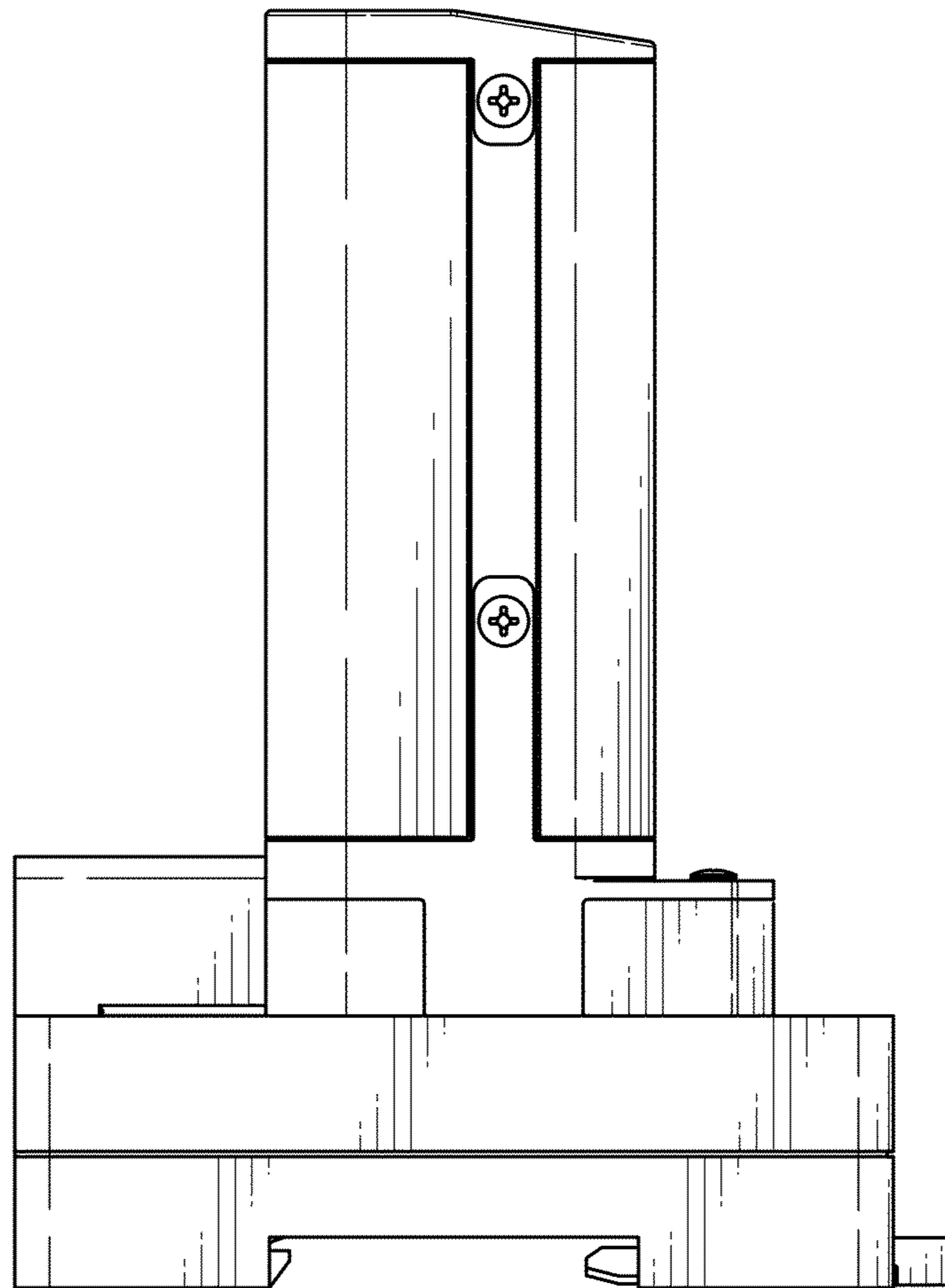


FIG. 4

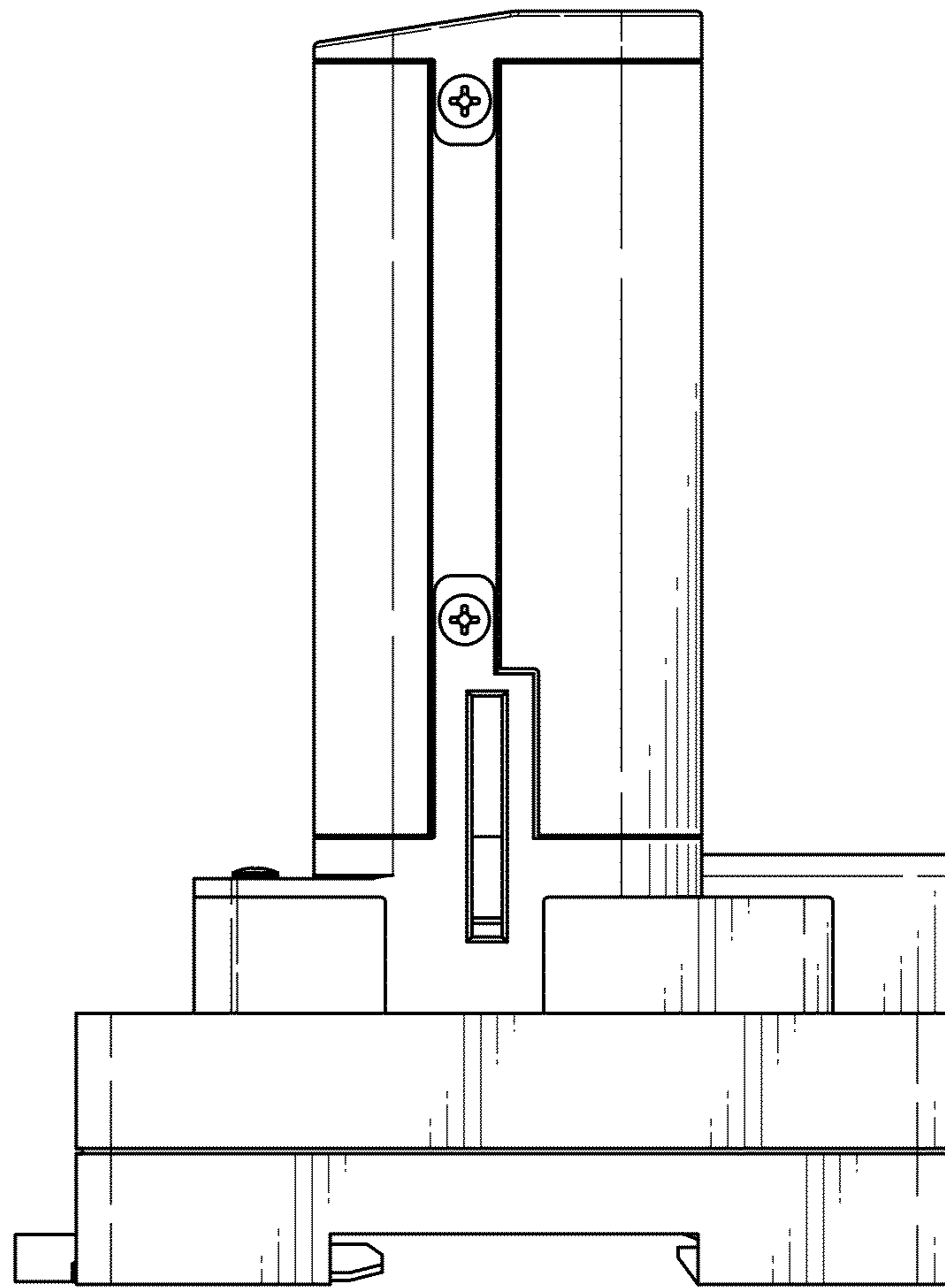


FIG. 5

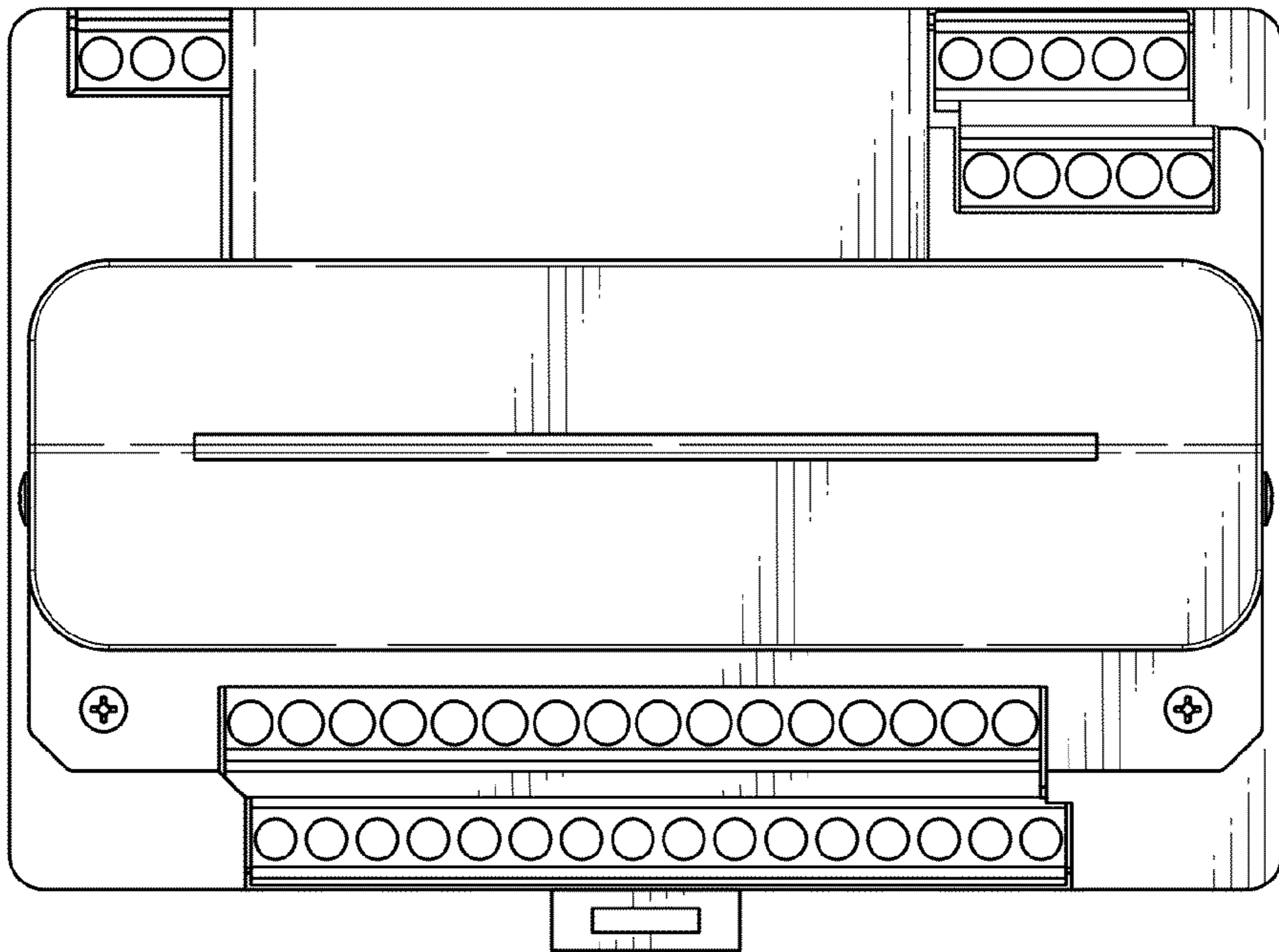


FIG. 6

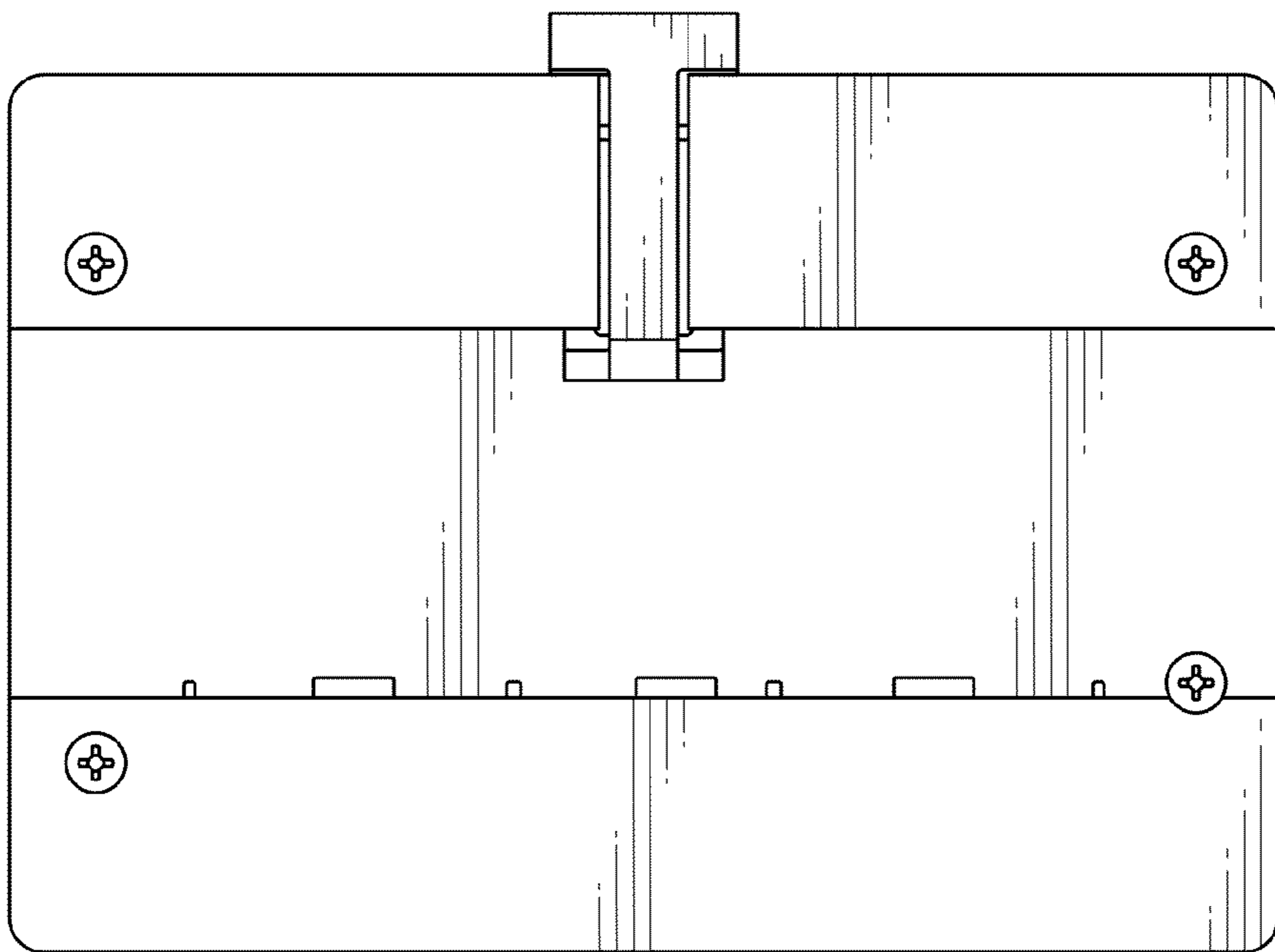


FIG. 7

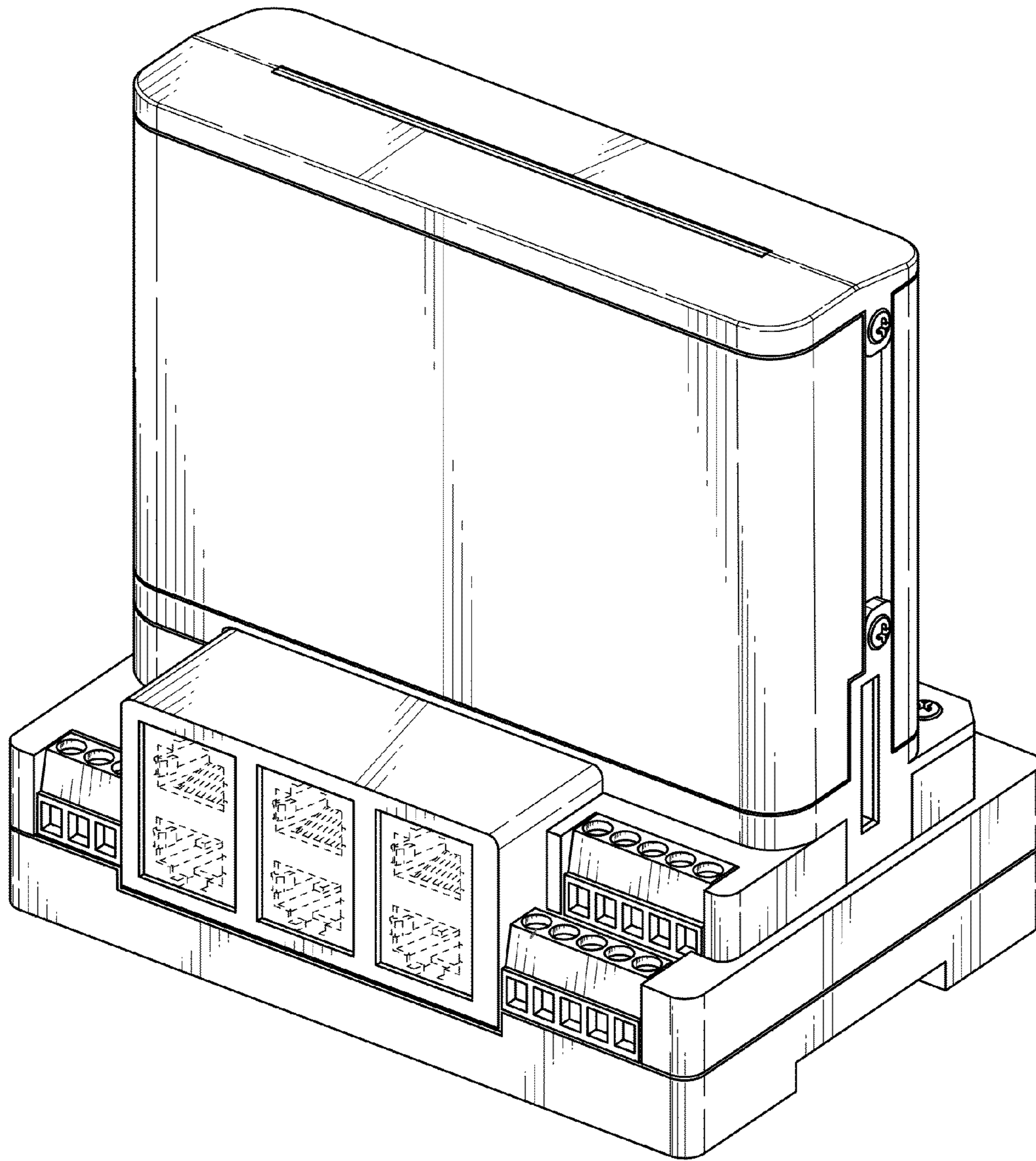


FIG. 8

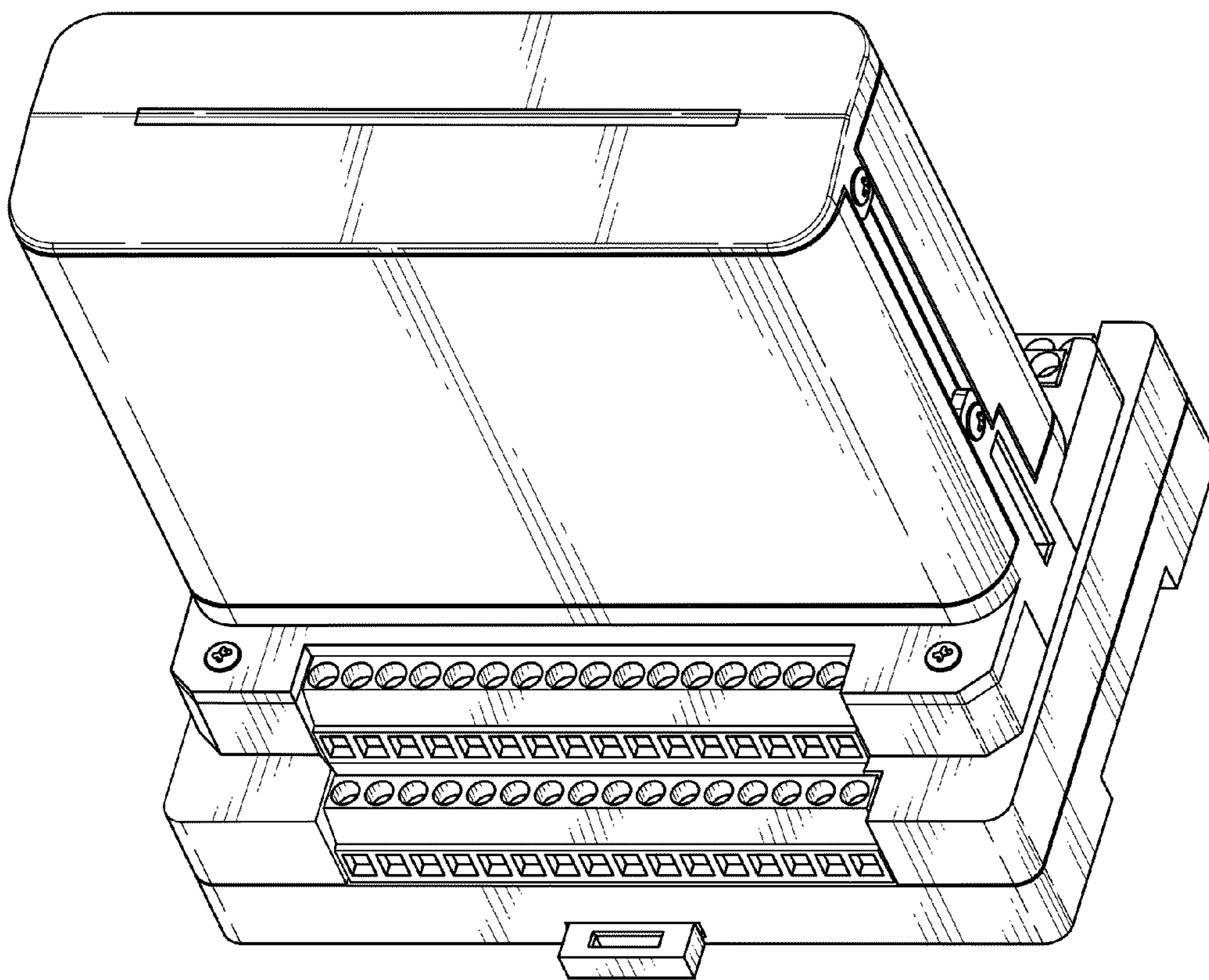


FIG. 9

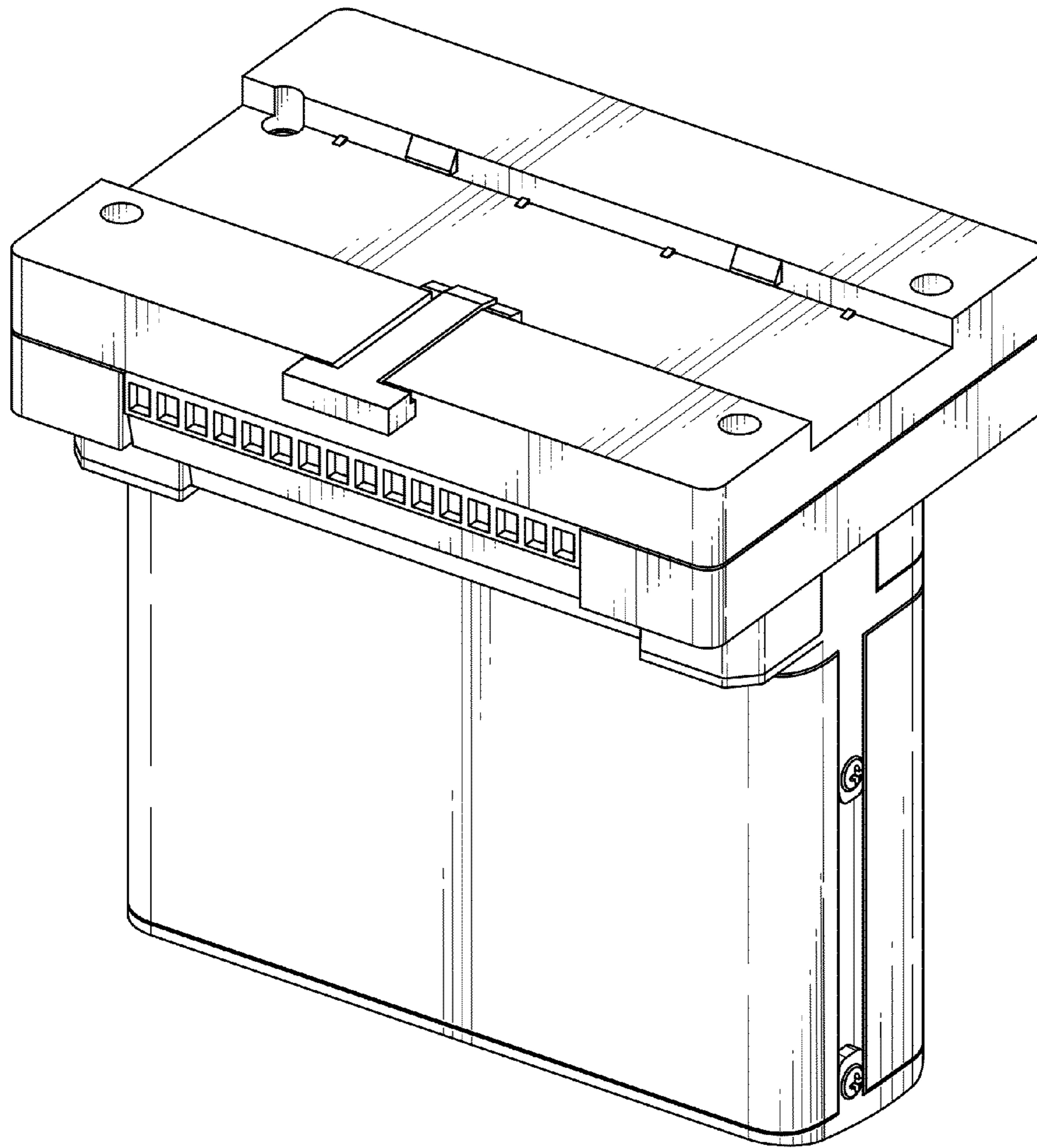


FIG. 10

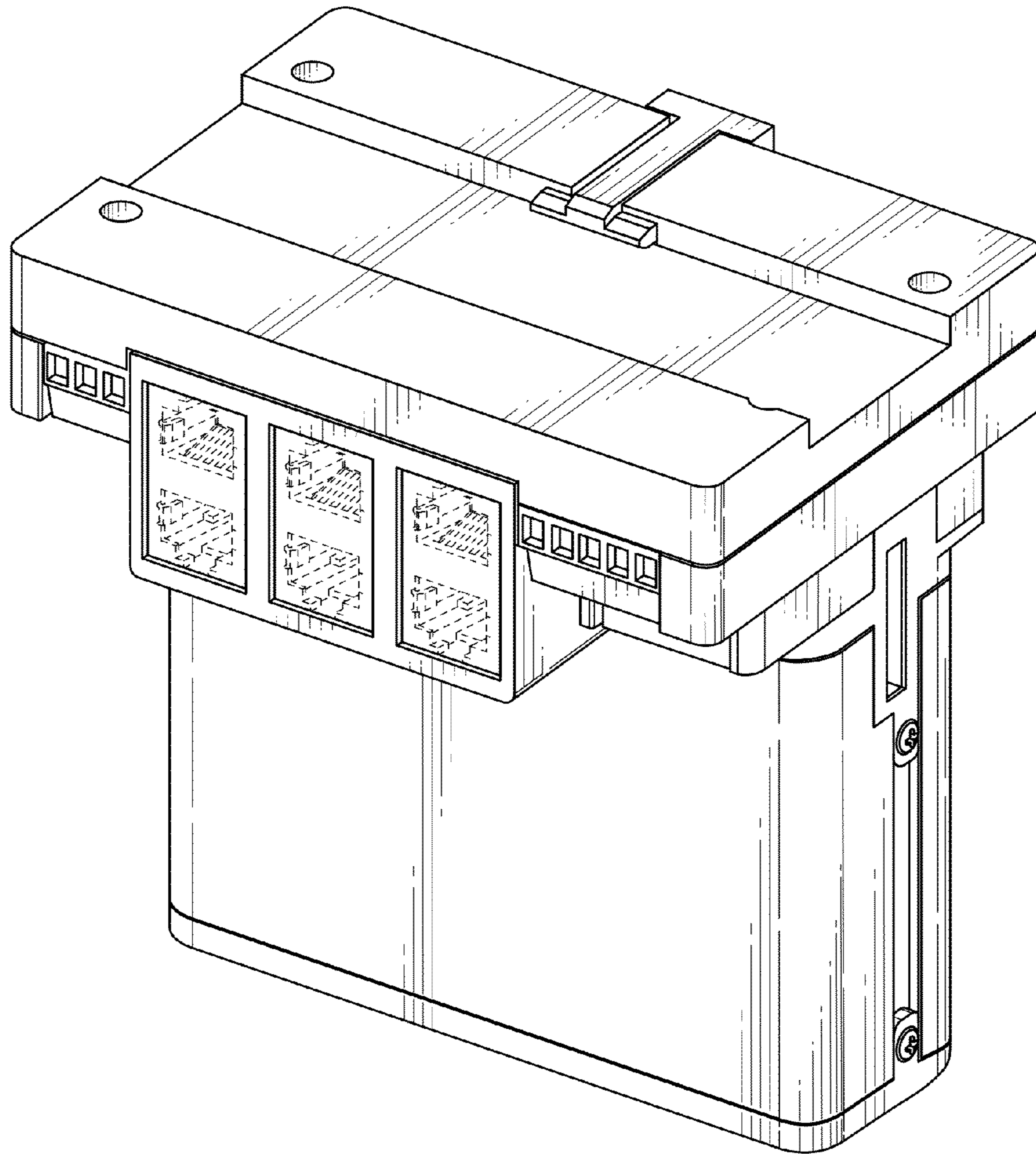


FIG. 11